



US00D471153S

(12) **United States Design Patent**
Liang

(10) **Patent No.:** **US D471,153 S**

(45) **Date of Patent:** **** Mar. 4, 2003**

(54) **ELECTRIC COUPLER FOR BATTERIES**

(76) **Inventor:** **Shih Tsung Liang**, P.O. Box 10-69,
Chong Ho, Taipei 235 (TW)

(**) **Term:** **14 Years**

(21) **Appl. No.:** **29/154,122**

(22) **Filed:** **Jan. 22, 2002**

(51) **LOC (7) Cl.** **13-02**

(52) **U.S. Cl.** **D13/120**

(58) **Field of Search** D13/120, 146,
D13/151; 439/762, 763, 764, 765, 798,
907

(56) **References Cited**

U.S. PATENT DOCUMENTS

D448,728 S	*	10/2001	Liang	D13/120
D451,471 S	*	12/2001	Liang	D13/120
D461,766 S	*	8/2002	Liang	D13/120
D461,767 S	*	8/2002	Liang	D13/120

D462,051 S * 8/2002 Liang D13/120

D462,052 S * 8/2002 Liang D13/120

D462,322 S * 9/2002 Liang D13/120

D462,323 S * 9/2002 Liang D13/120

* cited by examiner

Primary Examiner—Joel Sincavage

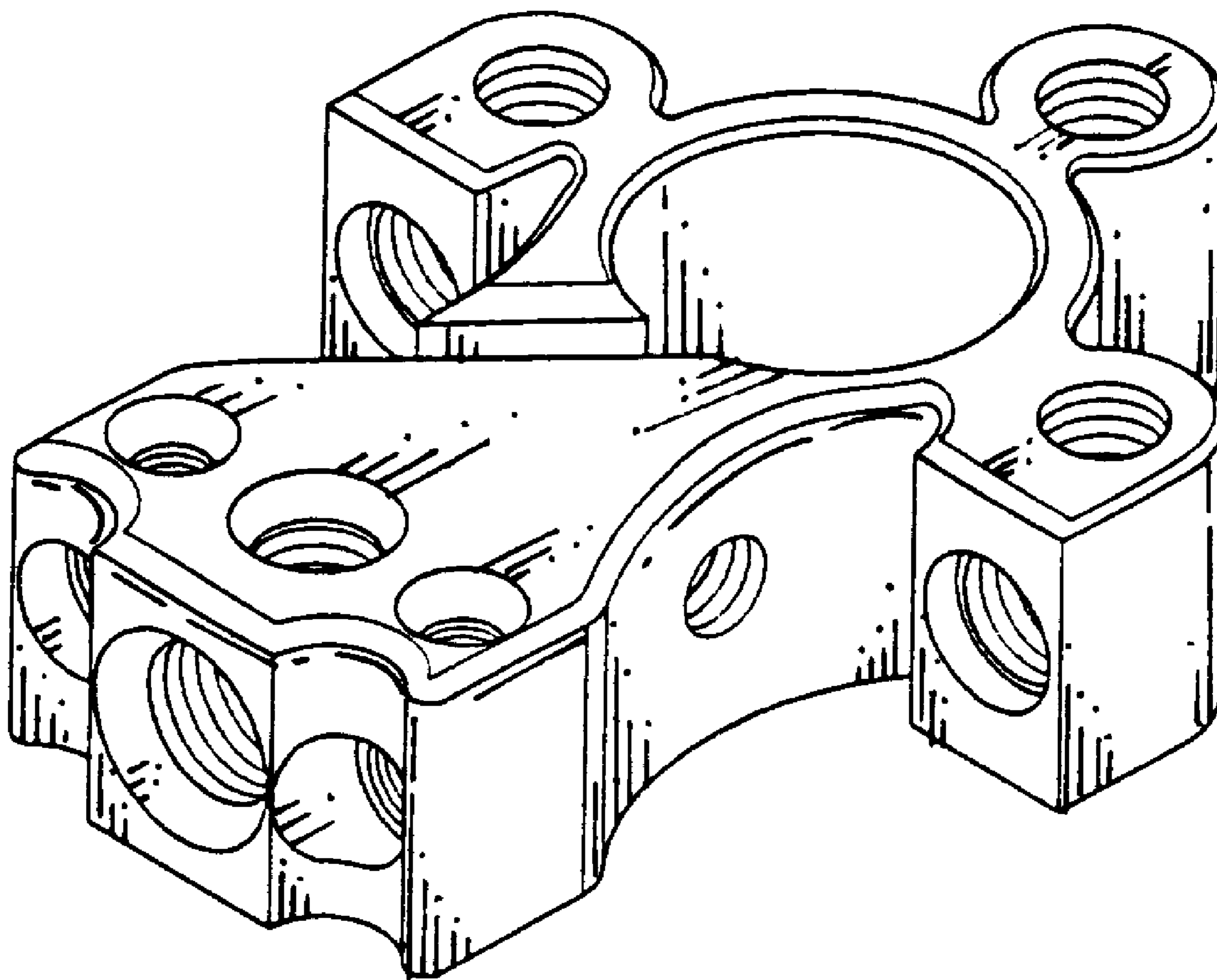
(57) **CLAIM**

The ornamental design for an electric coupler for batteries, as shown and described.

DESCRIPTION

FIG. 1 is a perspective view of an electric coupler for batteries showing my new design; FIG. 2 is a front elevational view thereof; FIG. 3 is a rear elevational view thereof; FIG. 4 is a top plan view thereof; FIG. 5 is a bottom plan view thereof; FIG. 6 is a left side elevational view thereof; and, FIG. 7 is a right side elevational view thereof.

1 Claim, 2 Drawing Sheets



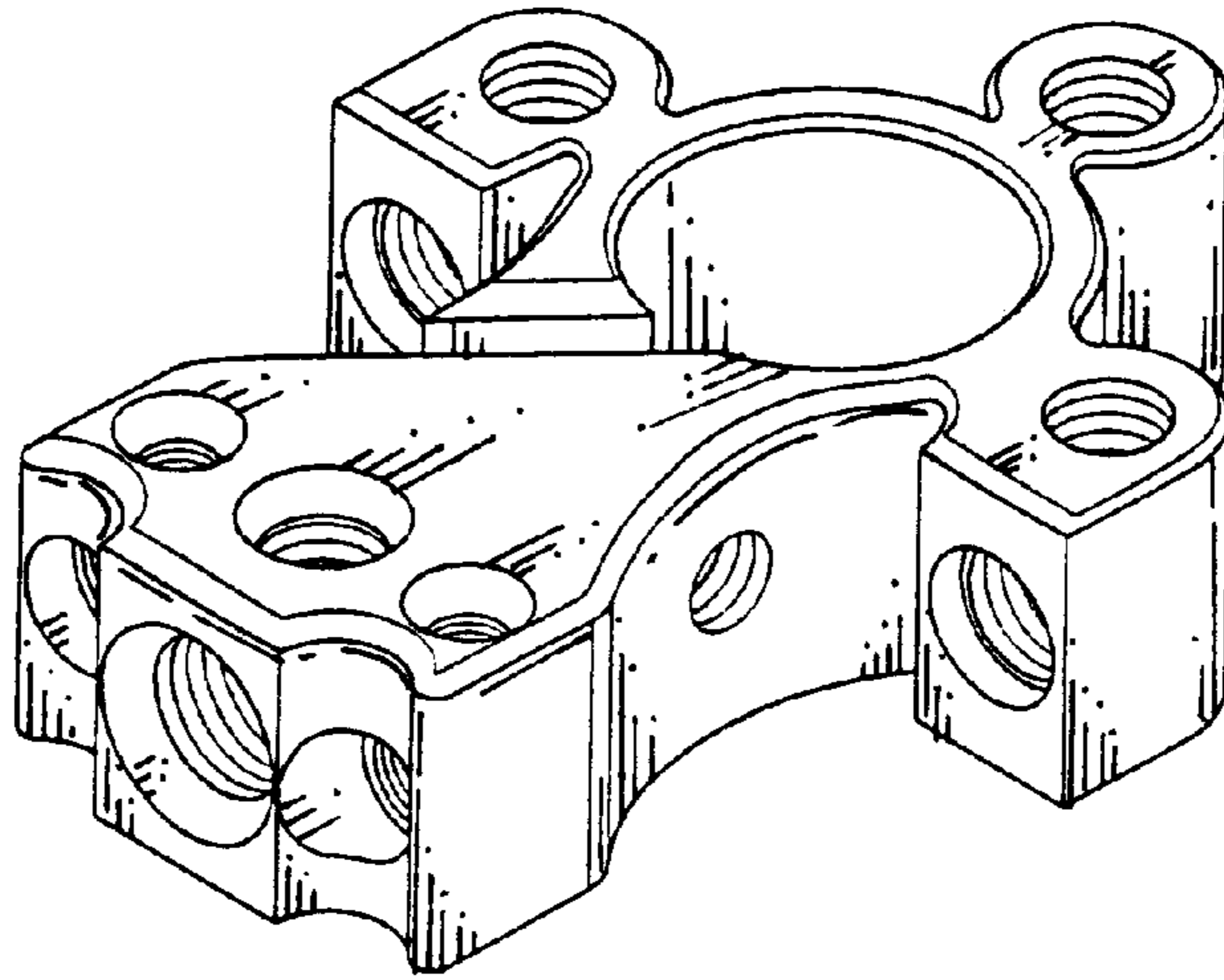


FIG. 1

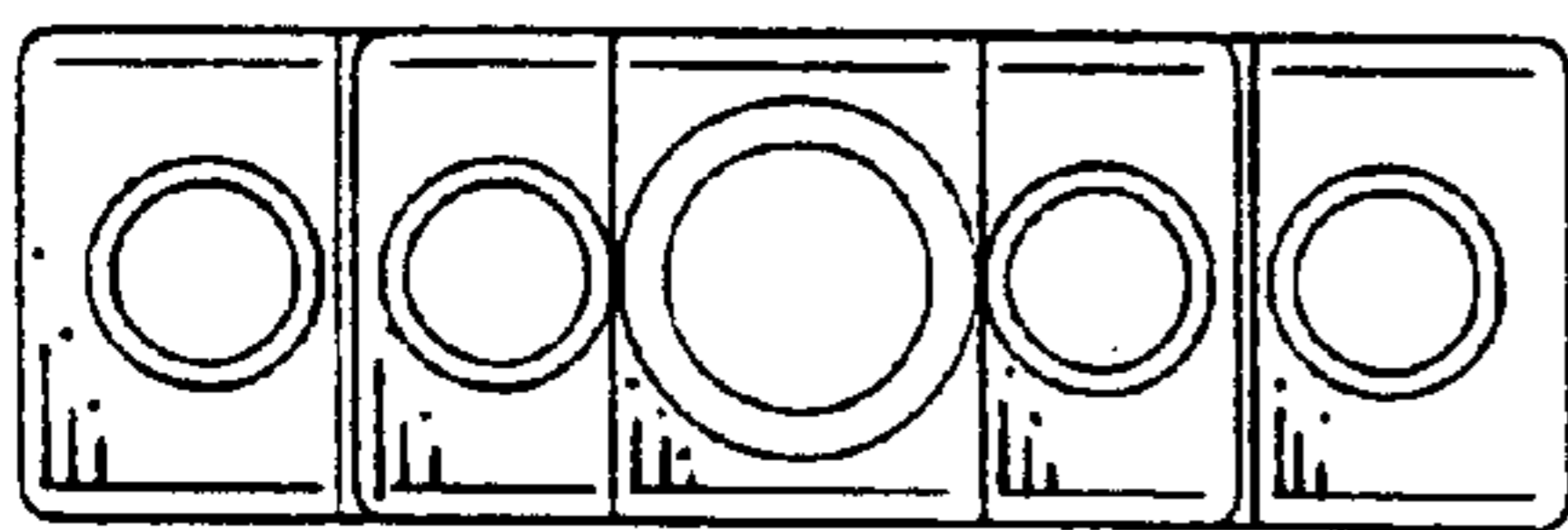


FIG. 2

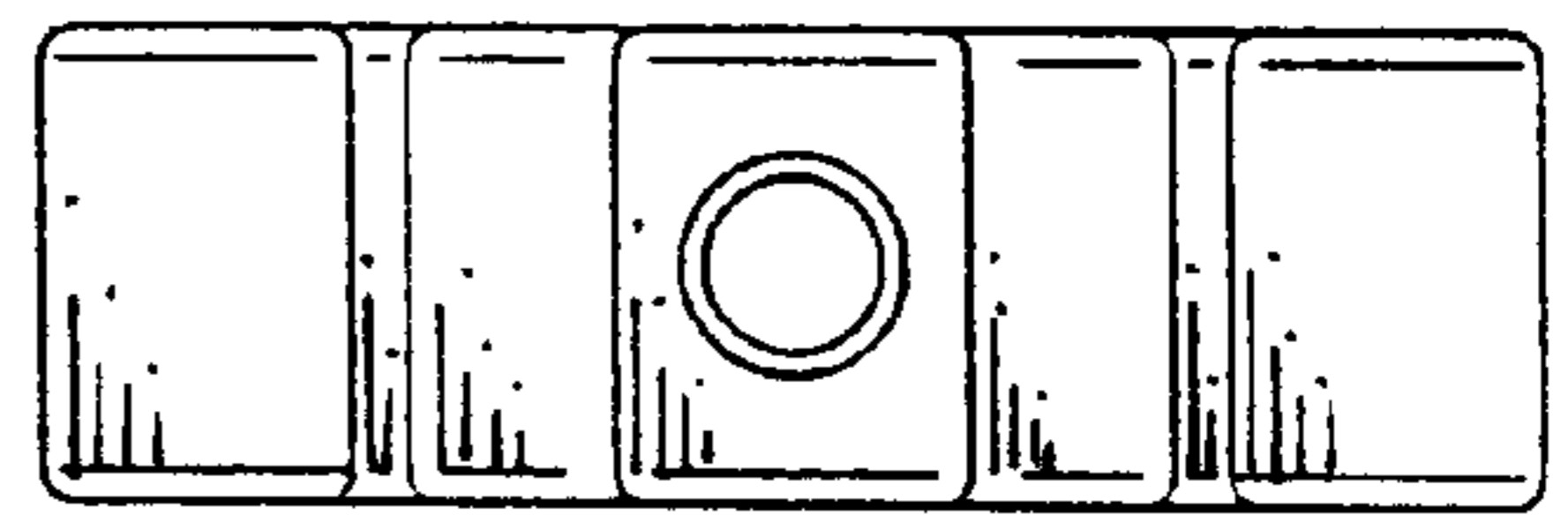


FIG. 3

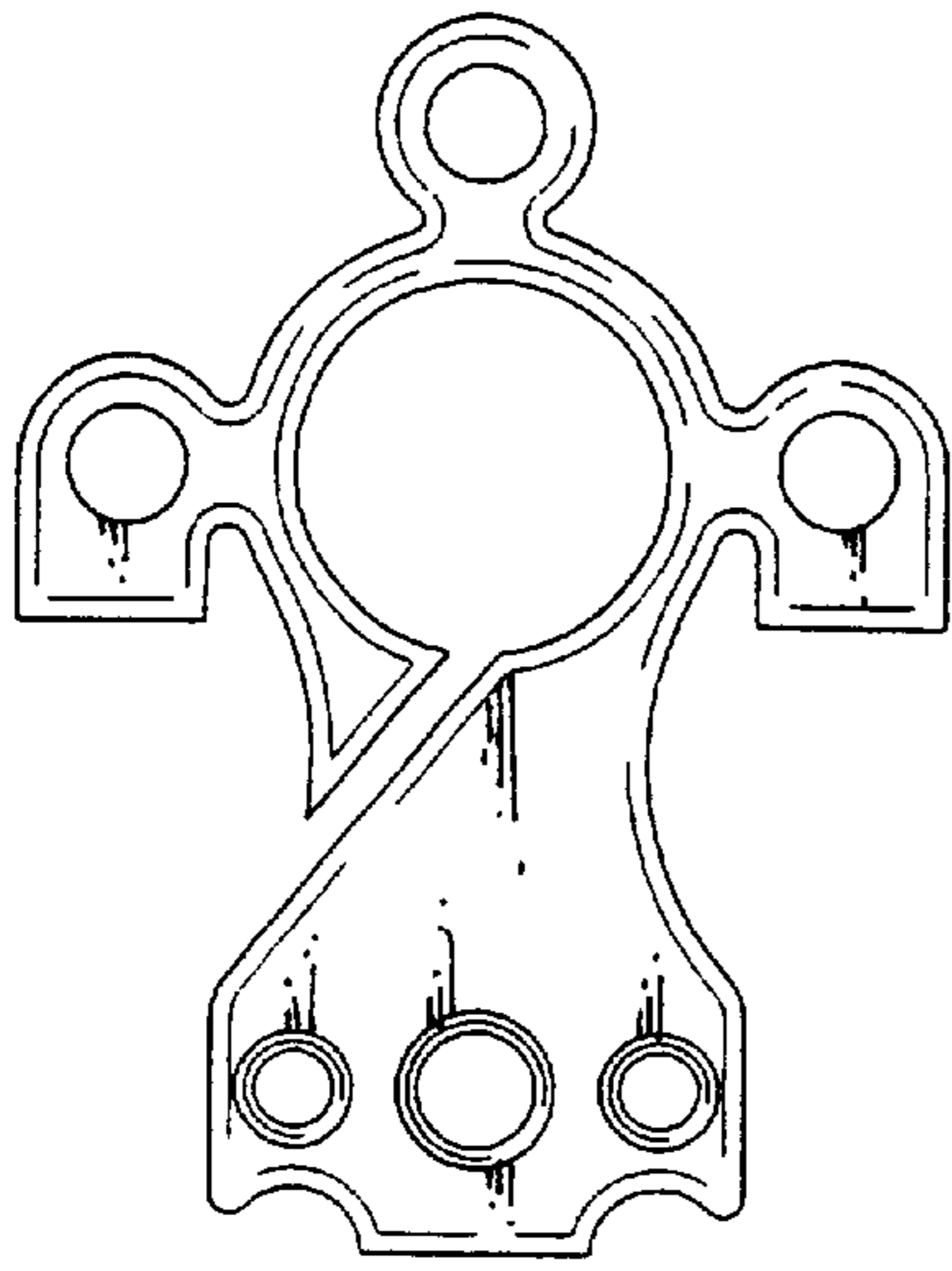


FIG. 4

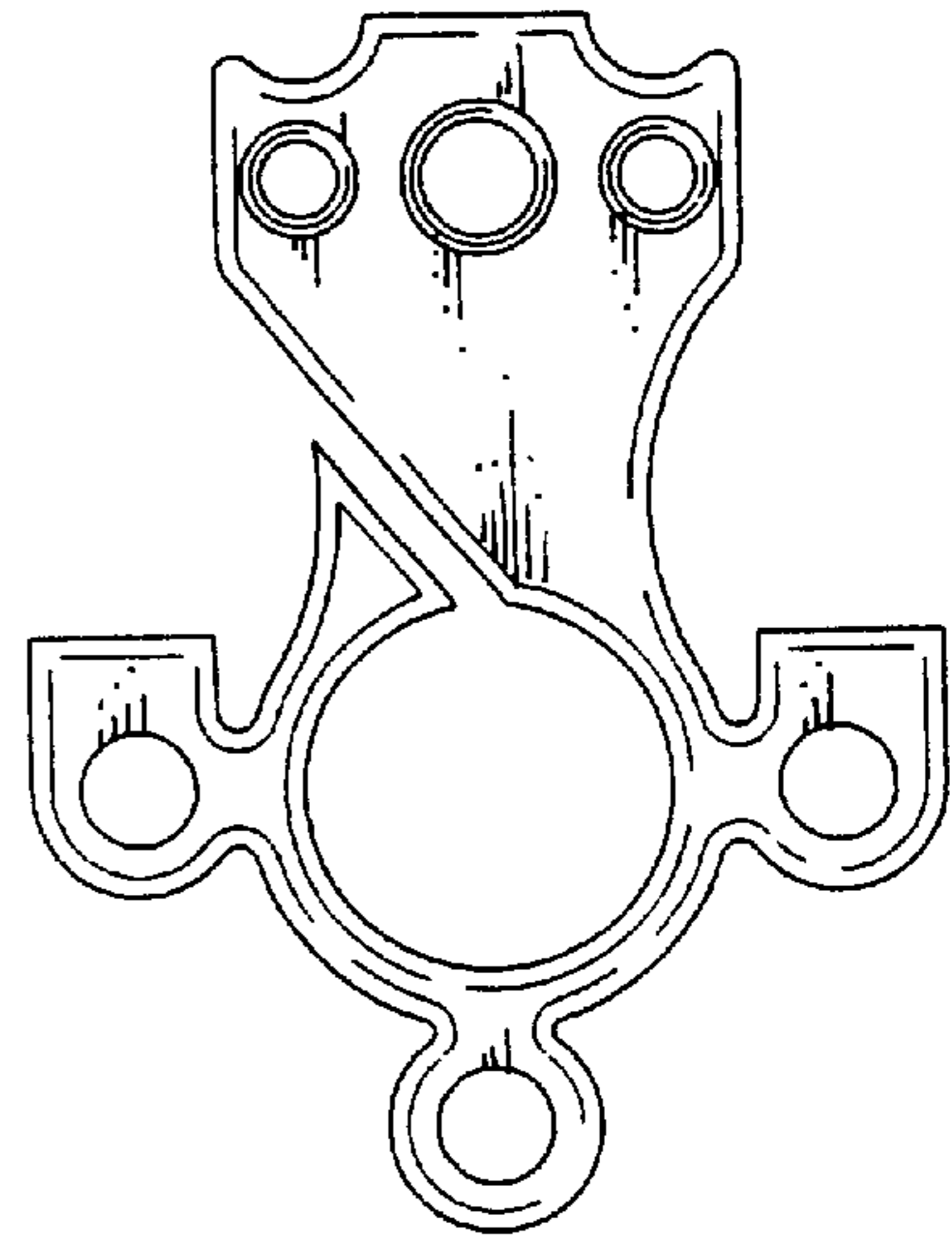


FIG. 5

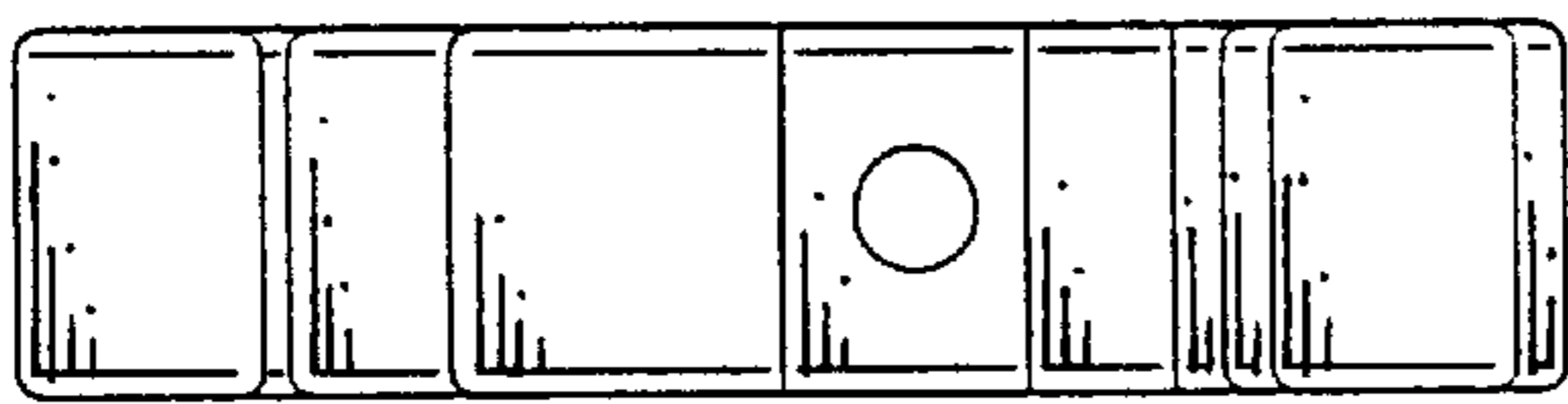


FIG. 6

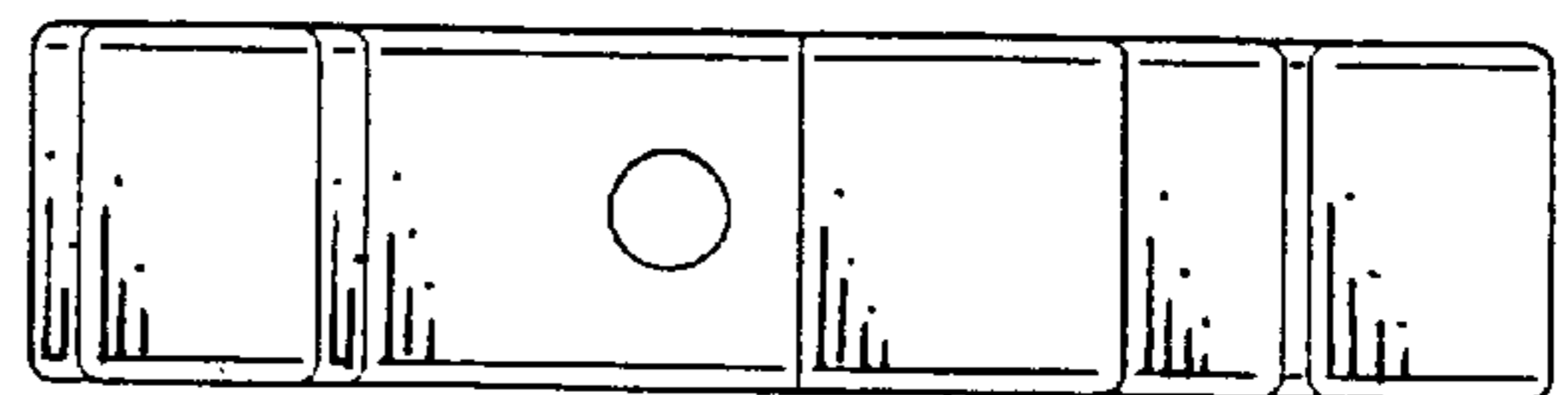


FIG. 7