



US00D471144S

(12) **United States Design Patent**  
**Pfeiffer**

(10) **Patent No.:** **US D471,144 S**

(45) **Date of Patent:** **\*\* Mar. 4, 2003**

(54) **FRONT FACE OF A VEHICLE WHEEL**

(75) **Inventor:** **Peter Pfeiffer**, Boeblingen (DE)

(73) **Assignee:** **DaimlerChrysler AG**, Stuttgart (DE)

(\*\*) **Term:** **14 Years**

(21) **Appl. No.:** **29/145,521**

(22) **Filed:** **Jul. 6, 2001**

(30) **Foreign Application Priority Data**

Jan. 11, 2001 (DE) ..... 4 01 00 125

(51) **LOC (7) Cl.** ..... **12-16**

(52) **U.S. Cl.** ..... **D12/209**

(58) **Field of Search** ..... D12/204-211;  
301/37.101, 64.101, 65

(56) **References Cited**

**U.S. PATENT DOCUMENTS**

D84,319 S	*	6/1931	Beutke et al.	.....	D12/209
D84,322 S	*	6/1931	Beutke et al.	.....	D12/209
D337,563 S	*	7/1993	Boselli	.....	D12/209
D352,688 S	*	11/1994	Boselli	.....	D12/211
D360,179 S	*	7/1995	Fuller	.....	D12/211
D388,047 S	*	12/1997	Pfeiffer et al.	.....	D12/211
D396,208 S	*	7/1998	Baumgartner et al.	.....	D12/211
D401,899 S	*	12/1998	Pfeiffer	.....	D12/209
D407,681 S	*	4/1999	Sacco et al.	.....	D12/209
D408,346 S	*	4/1999	Goplen	.....	D12/211
D408,776 S	*	4/1999	Sacco et al.	.....	D12/209
D409,968 S	*	5/1999	Goplen	.....	D12/211

D418,473 S	*	1/2000	Chung	.....	D12/211
D424,500 S	*	5/2000	Johnson	.....	D12/209
D434,712 S	*	12/2000	Chung	.....	D12/209
D442,532 S	*	5/2001	Chung	.....	D12/209
D446,179 S	*	8/2001	Sinkwitz	.....	D12/209
D450,030 S	*	11/2001	Pfeiffer	.....	D12/211
D451,066 S	*	11/2001	Pfeiffer et al.	.....	D12/211
D451,458 S	*	12/2001	Sacco et al.	.....	D12/209
D453,492 S	*	2/2002	Laengerer	.....	D12/209
D454,825 S	*	3/2002	Amatino	.....	D12/211
D455,692 S	*	4/2002	Iguchi et al.	.....	D12/209
D460,032 S	*	7/2002	Mattin	.....	D12/209

\* cited by examiner

*Primary Examiner*—Stacia Cadmus

(74) *Attorney, Agent, or Firm*—Crowell & Moring LLP

(57) **CLAIM**

The ornamental design for a front face of a vehicle wheel, as shown and described.

**DESCRIPTION**

FIG. 1 is a front view of a front face of a vehicle wheel according to my novel design; and

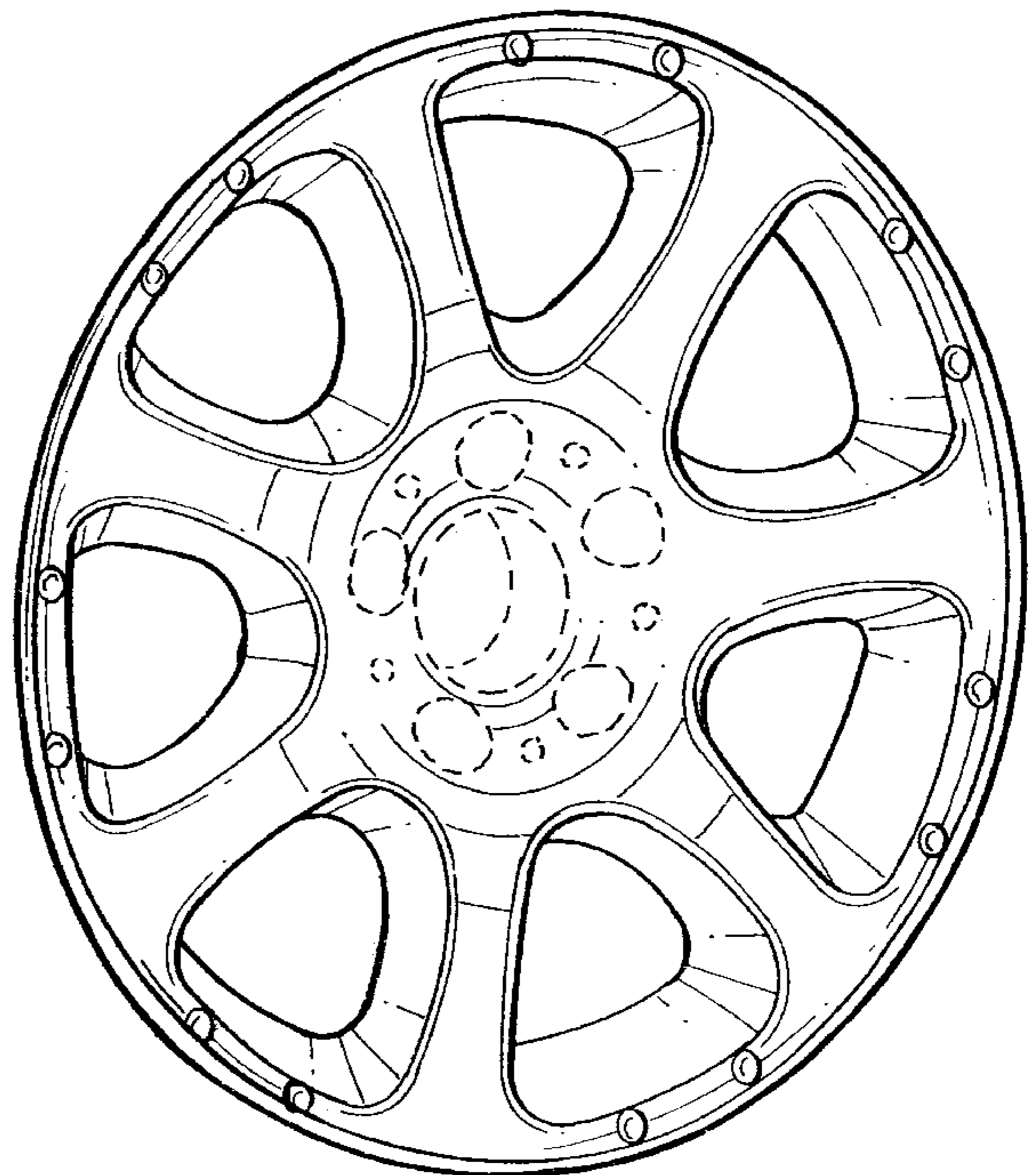
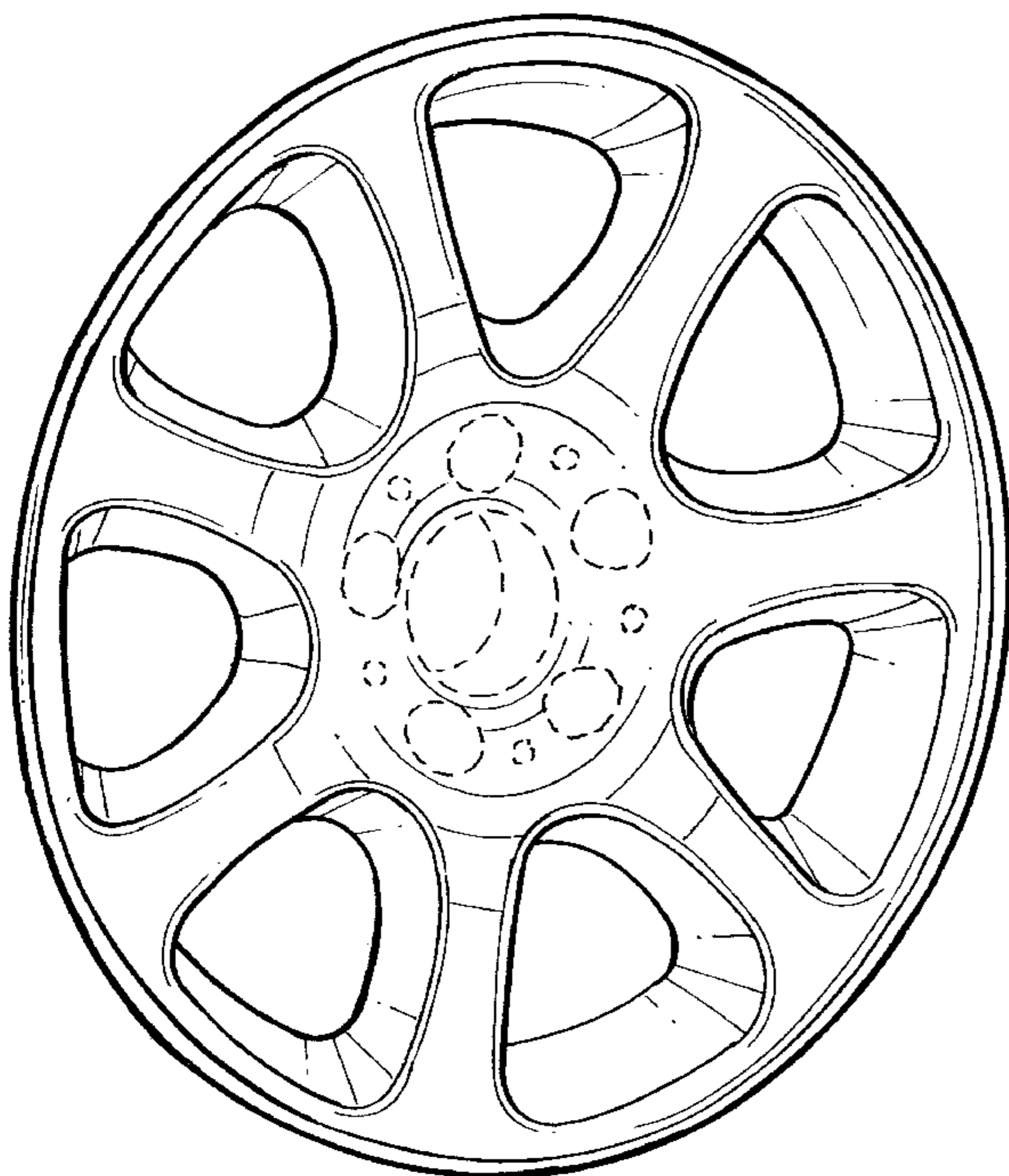
FIG. 2 is a perspective view of the front face of a vehicle wheel according to my novel design.

FIG. 3 is a front view of a second embodiment of a front face of a vehicle wheel, showing my new design; and,

FIG. 4 is a perspective view of FIG. 3.

The dash lines included depict environment and are not part of the claimed design.

**1 Claim, 2 Drawing Sheets**



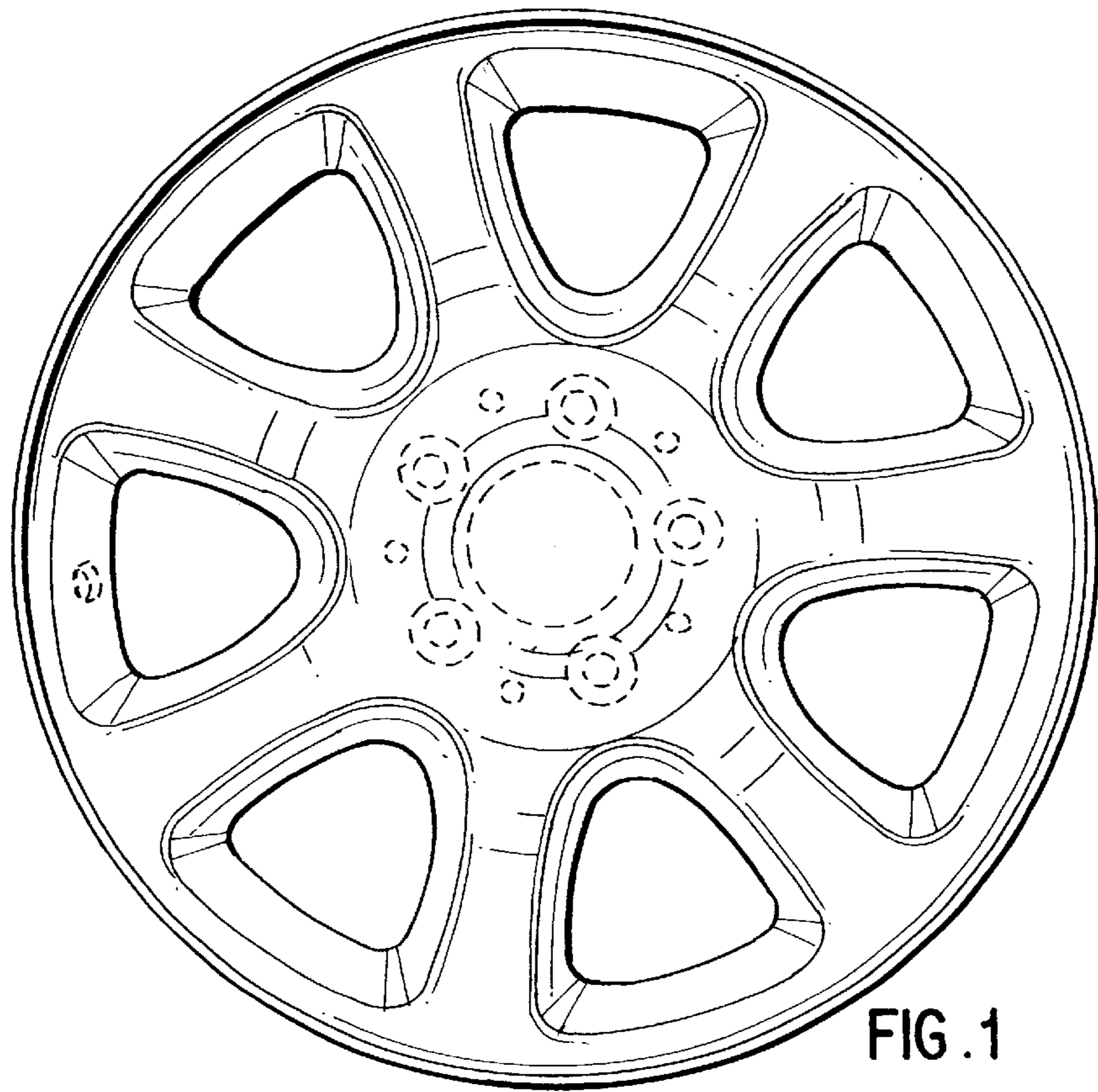


FIG. 1

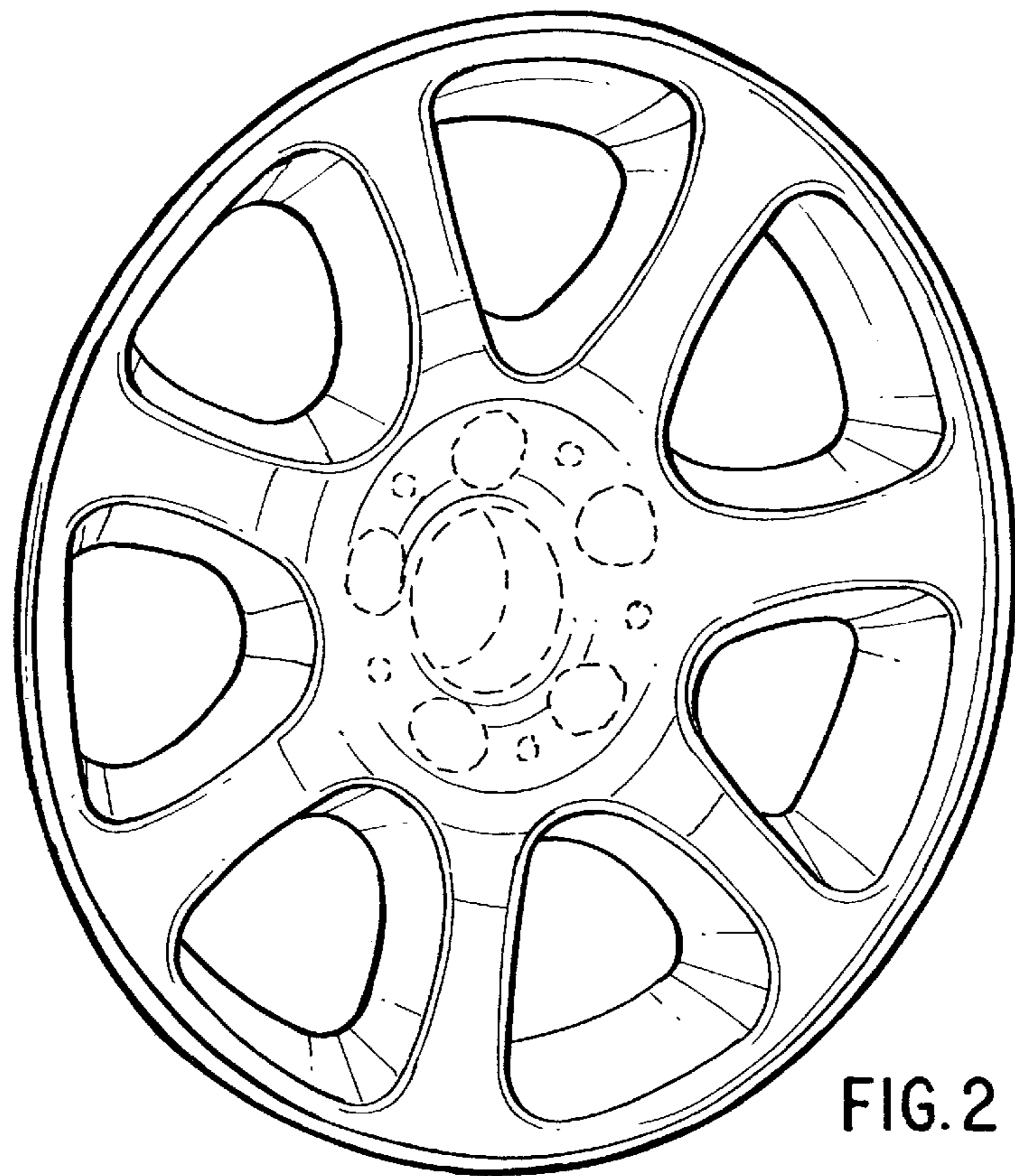


FIG. 2

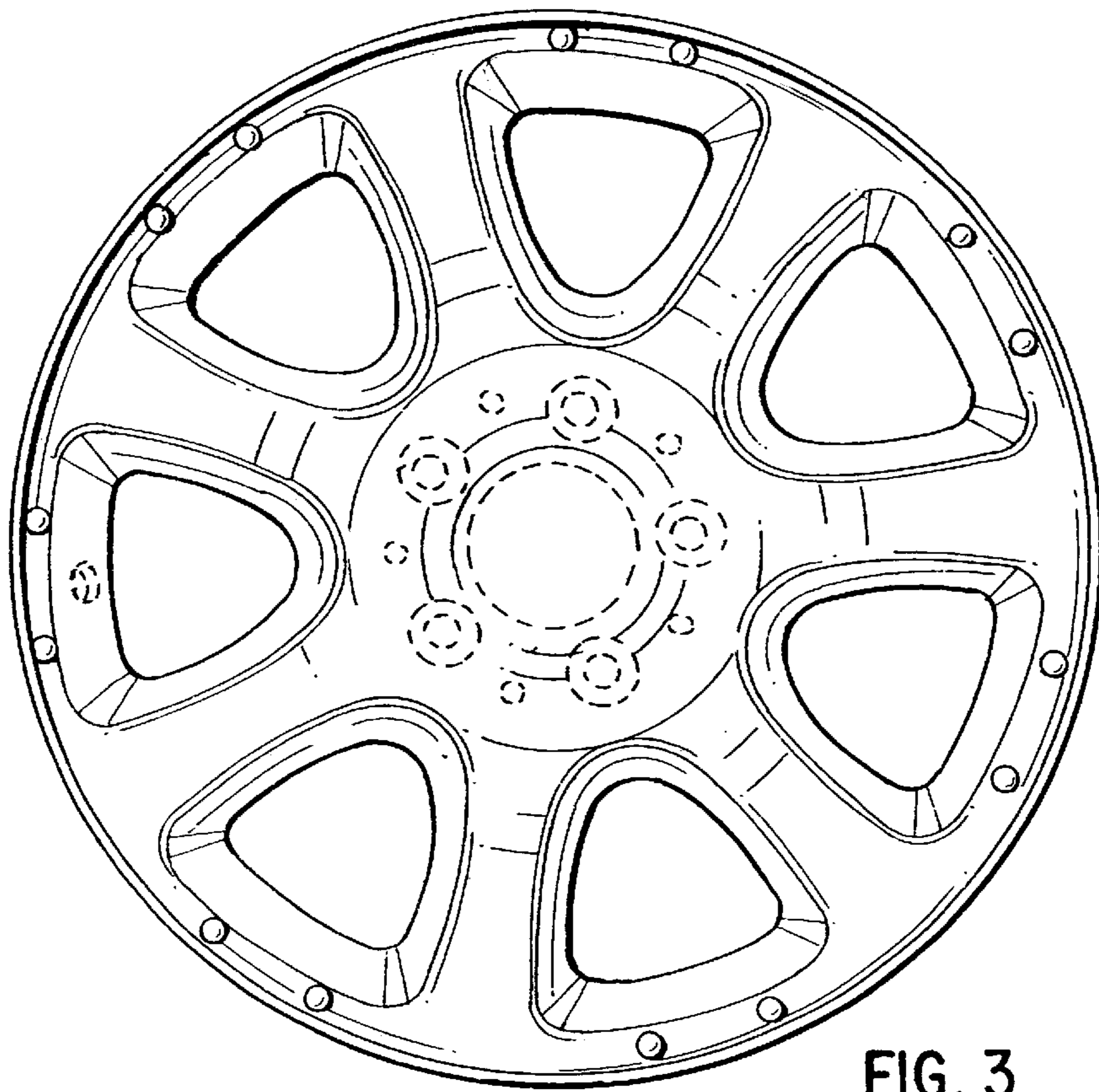


FIG. 3

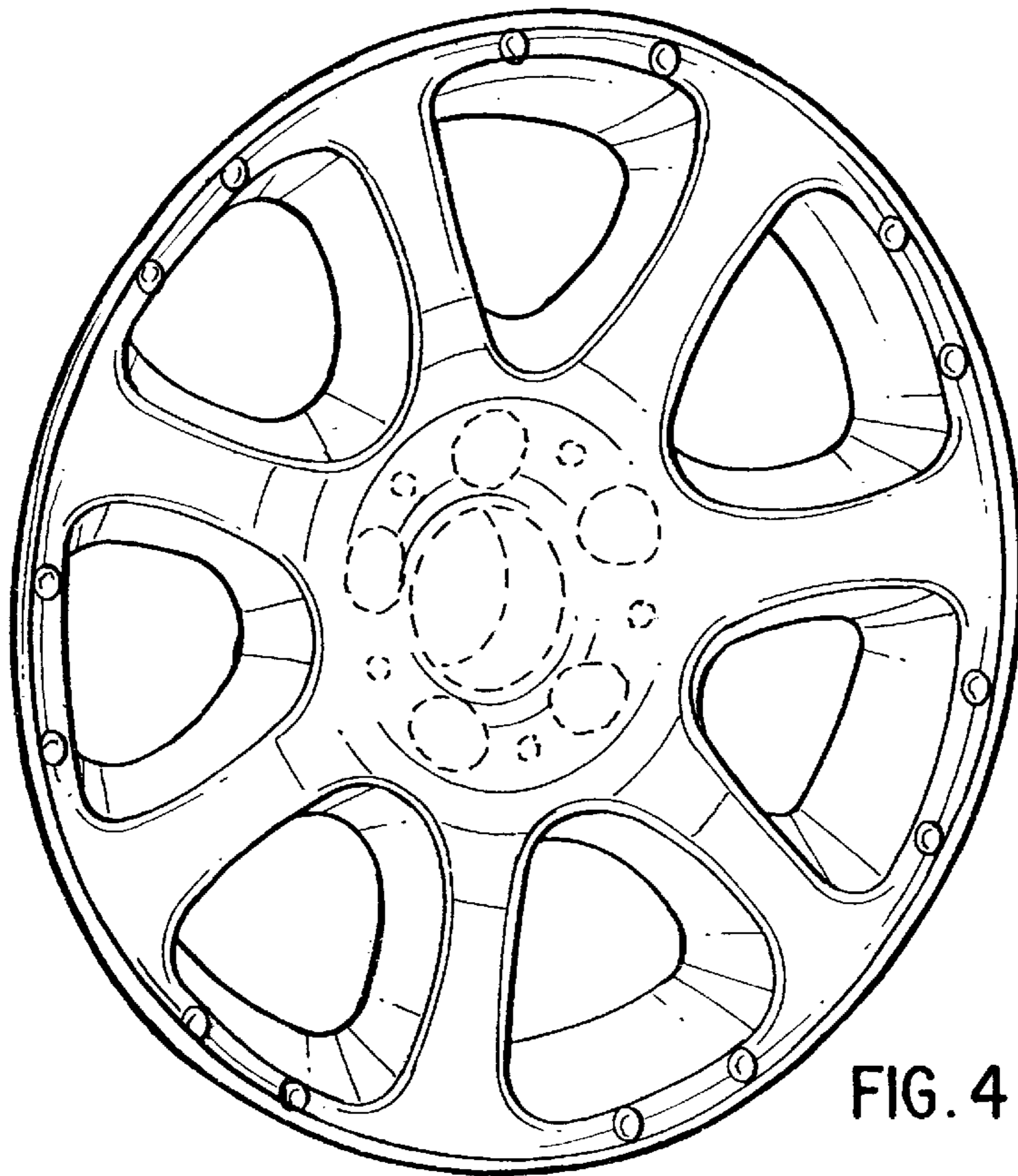


FIG. 4