



US00D471139S

(12) **United States Design Patent**
Wyszogrod et al.

(10) **Patent No.:** **US D471,139 S**

(45) **Date of Patent:** **** Mar. 4, 2003**

(54) **GEAR SHIFT KNOB**

(75) Inventors: **Jose Wyszogrod**, Los Angeles, CA
(US); **Osamu Nakajima**, Torrance, CA
(US); **Koji Kamata**, Katayama (JP)

(73) Assignee: **Honda Giken Kogyo Kabushiki Kaisha**, Tokyo (JP)

(**) Term: **14 Years**

(21) Appl. No.: **29/157,769**

(22) Filed: **Mar. 26, 2002**

(51) **LOC (7) Cl.** **12-16**

(52) **U.S. Cl.** **D12/179**

(58) **Field of Search** D12/179; 74/475,
74/475 R, 489, 523; D14/117.4

(56) **References Cited**

U.S. PATENT DOCUMENTS

D414,149 S * 9/1999 Asakura D12/179

D416,525 S * 11/1999 Sacco et al. D12/179
D436,333 S * 1/2001 Awastu D12/179
D440,918 S * 4/2001 Pfeiffer D12/179

* cited by examiner

Primary Examiner—Melody N. Brown

(74) *Attorney, Agent, or Firm*—Banner & Witcoff, Ltd.

(57) **CLAIM**

The ornamental design for a gear shift knob, as shown and described.

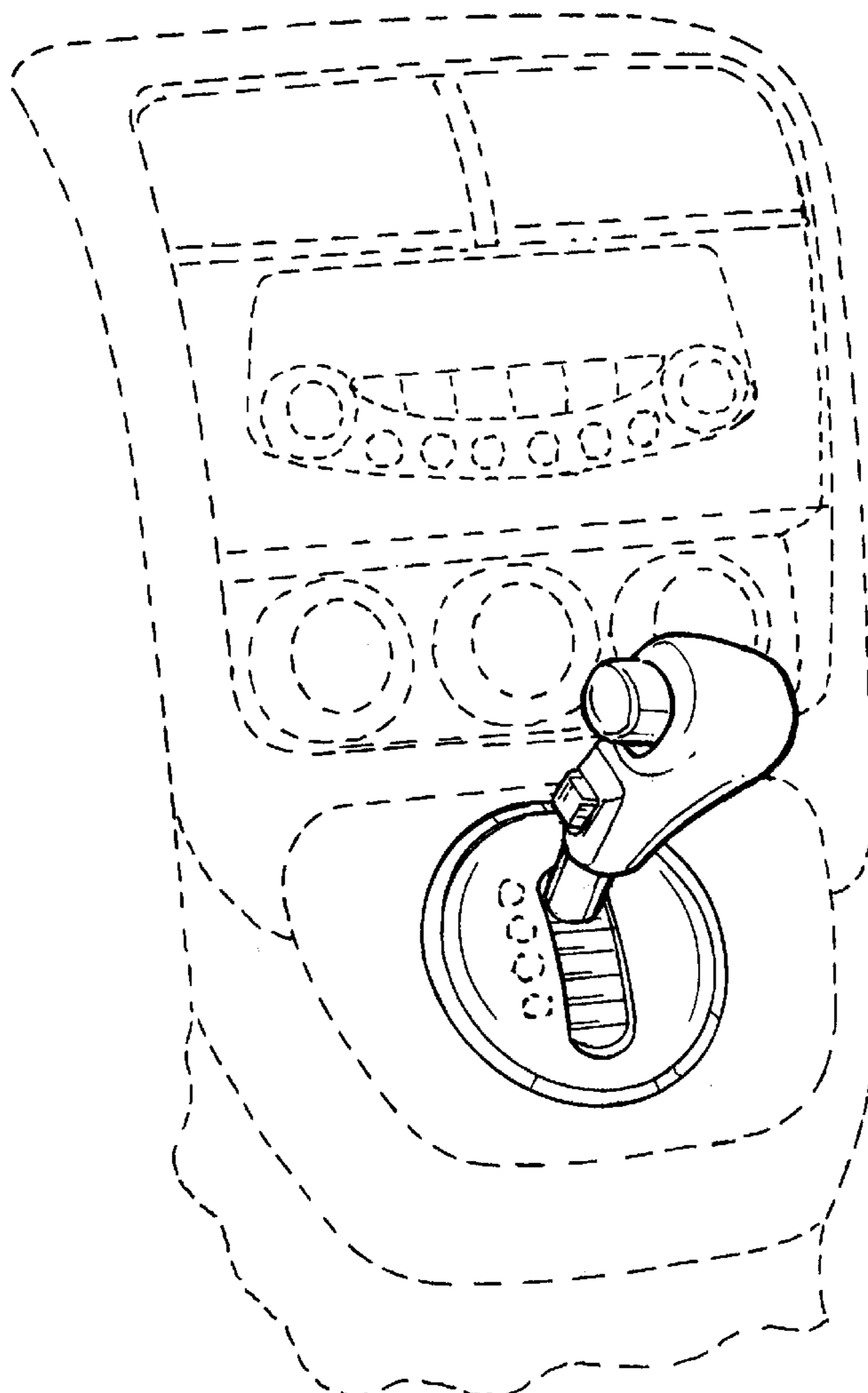
DESCRIPTION

FIG. 1 is a front elevational view of the gear shift knob showing my new design;

FIG. 2 is a frontal right-side perspective view thereof; and, FIG. 3 is a frontal left-side perspective view thereof.

The broken line showings of the center console and the gear shift indicators are for illustrative purposes only and form no part of the claimed design.

1 Claim, 2 Drawing Sheets



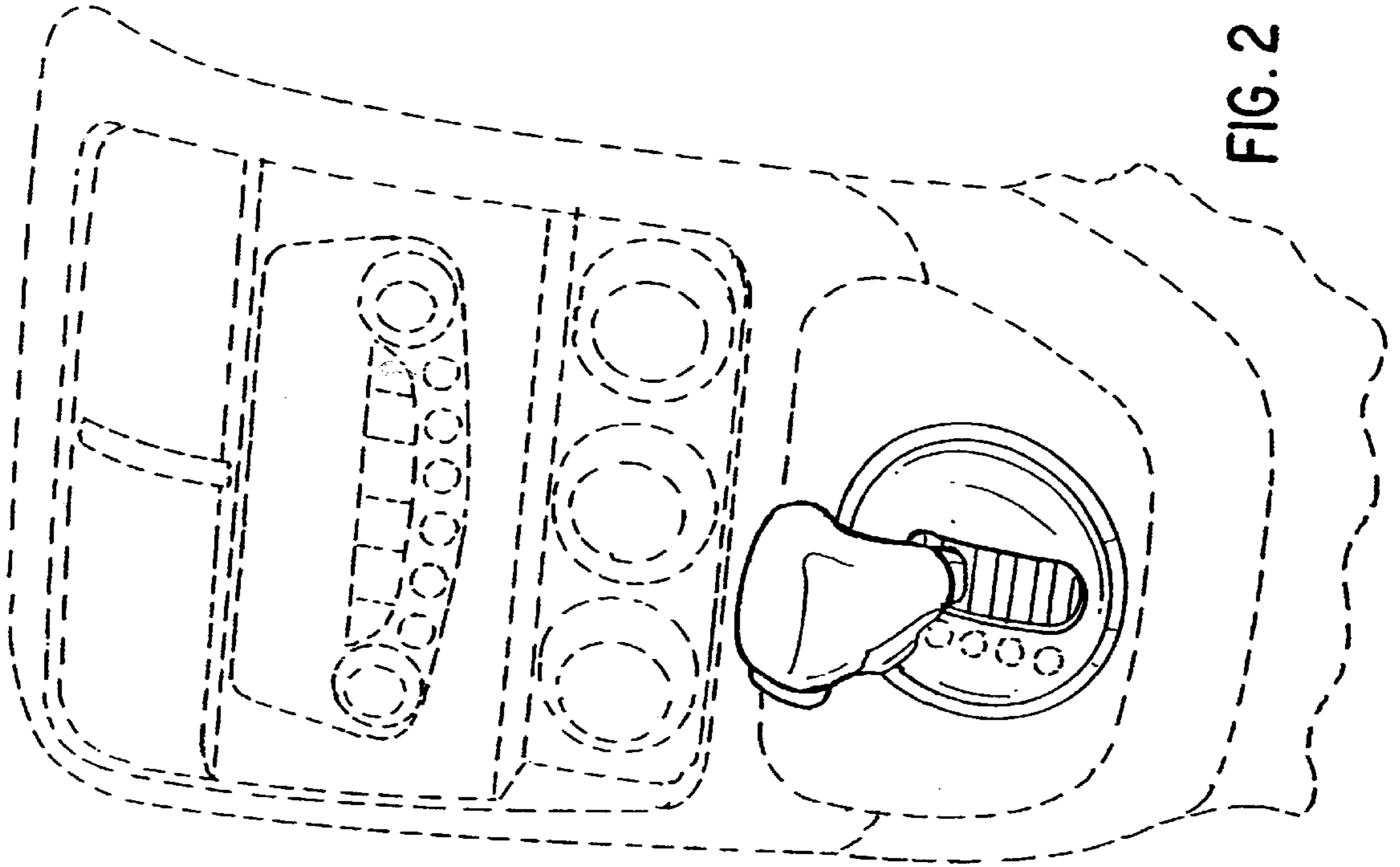


FIG. 2

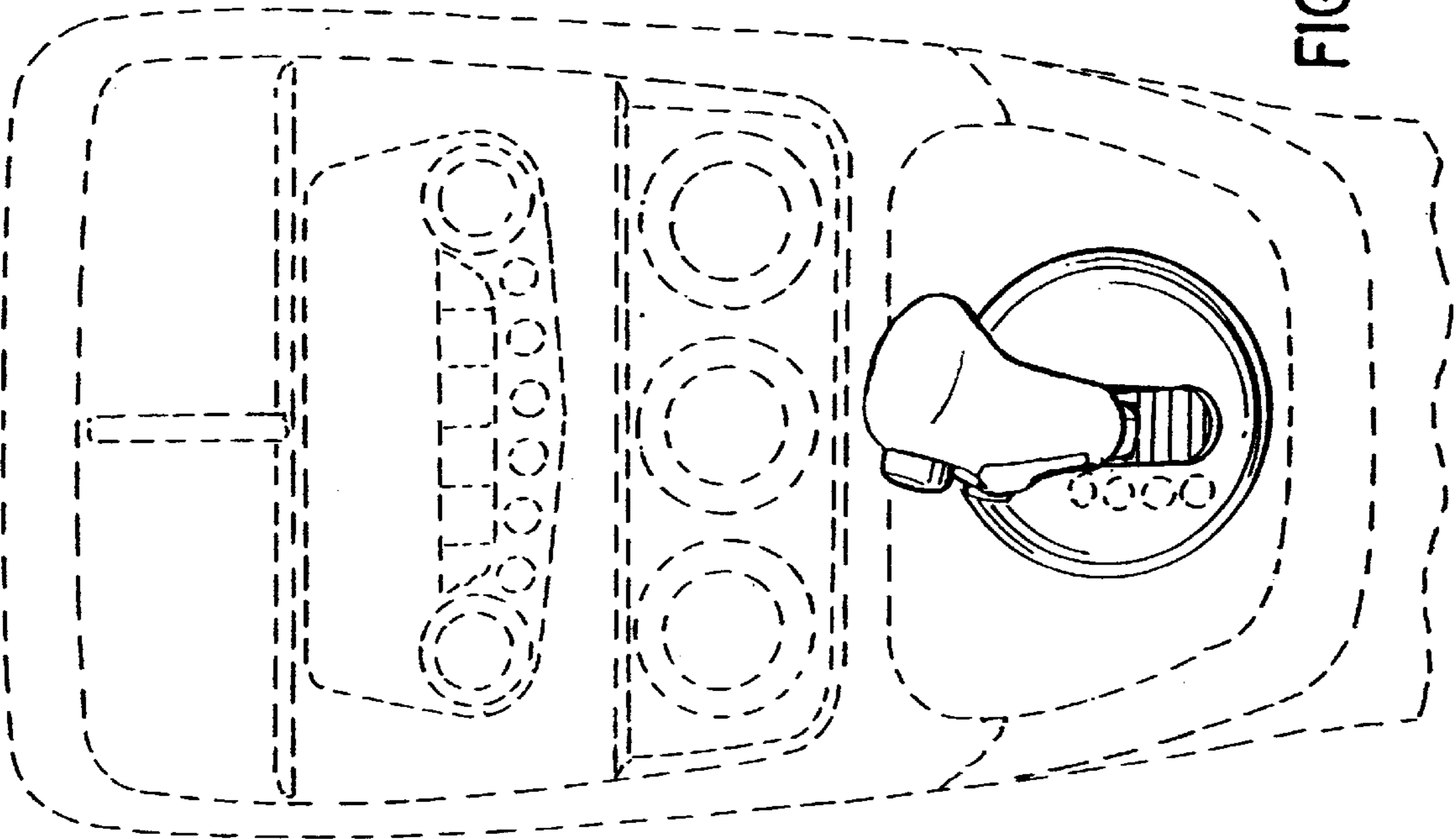


FIG. 1

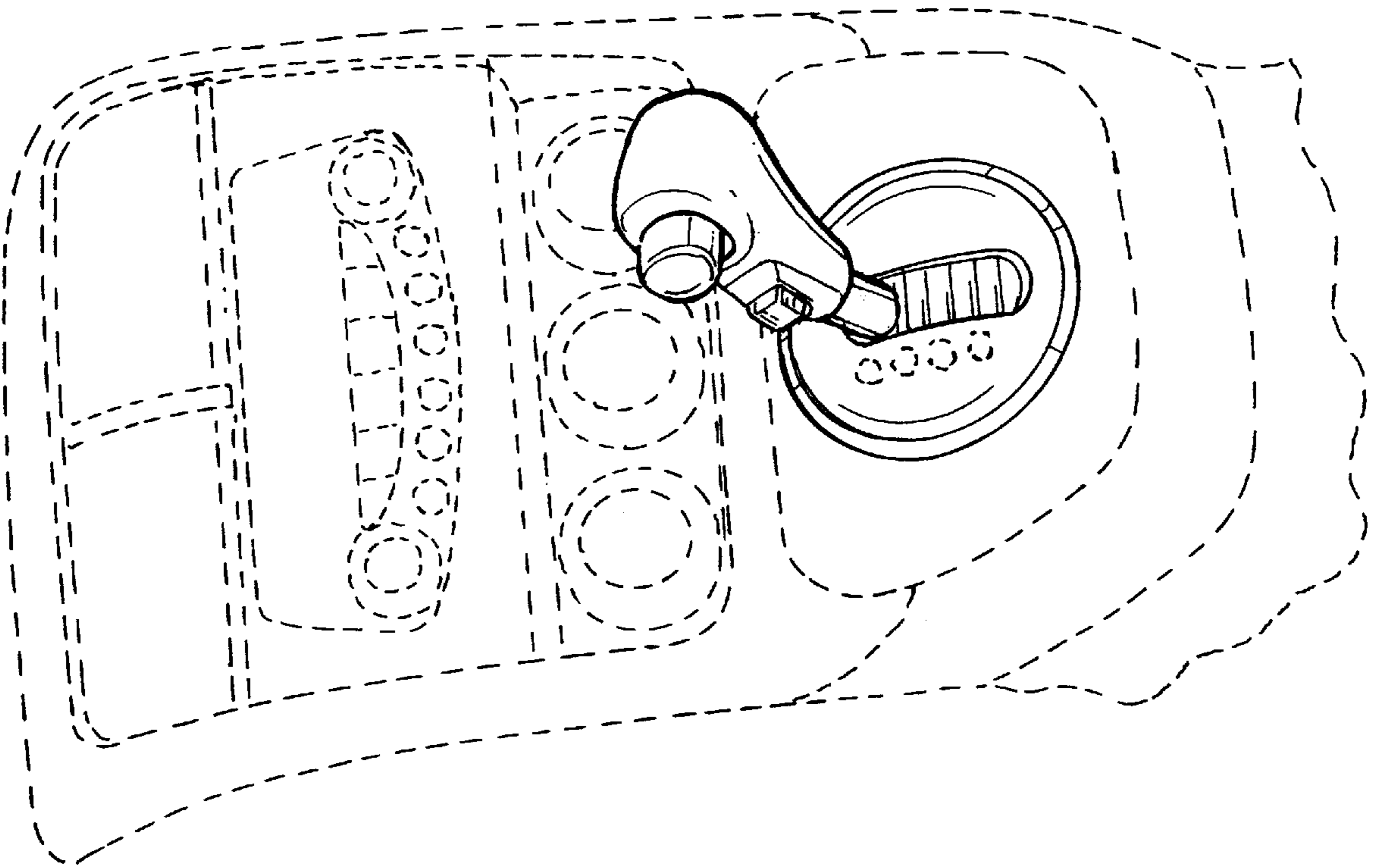


FIG. 3

UNITED STATES PATENT AND TRADEMARK OFFICE
CERTIFICATE OF CORRECTION

PATENT NO. : Des. 471,139 S
DATED : March 4, 2003
INVENTOR(S) : Wyszogrod et al.

Page 1 of 1

It is certified that error appears in the above-identified patent and that said Letters Patent is hereby corrected as shown below:

Title page,

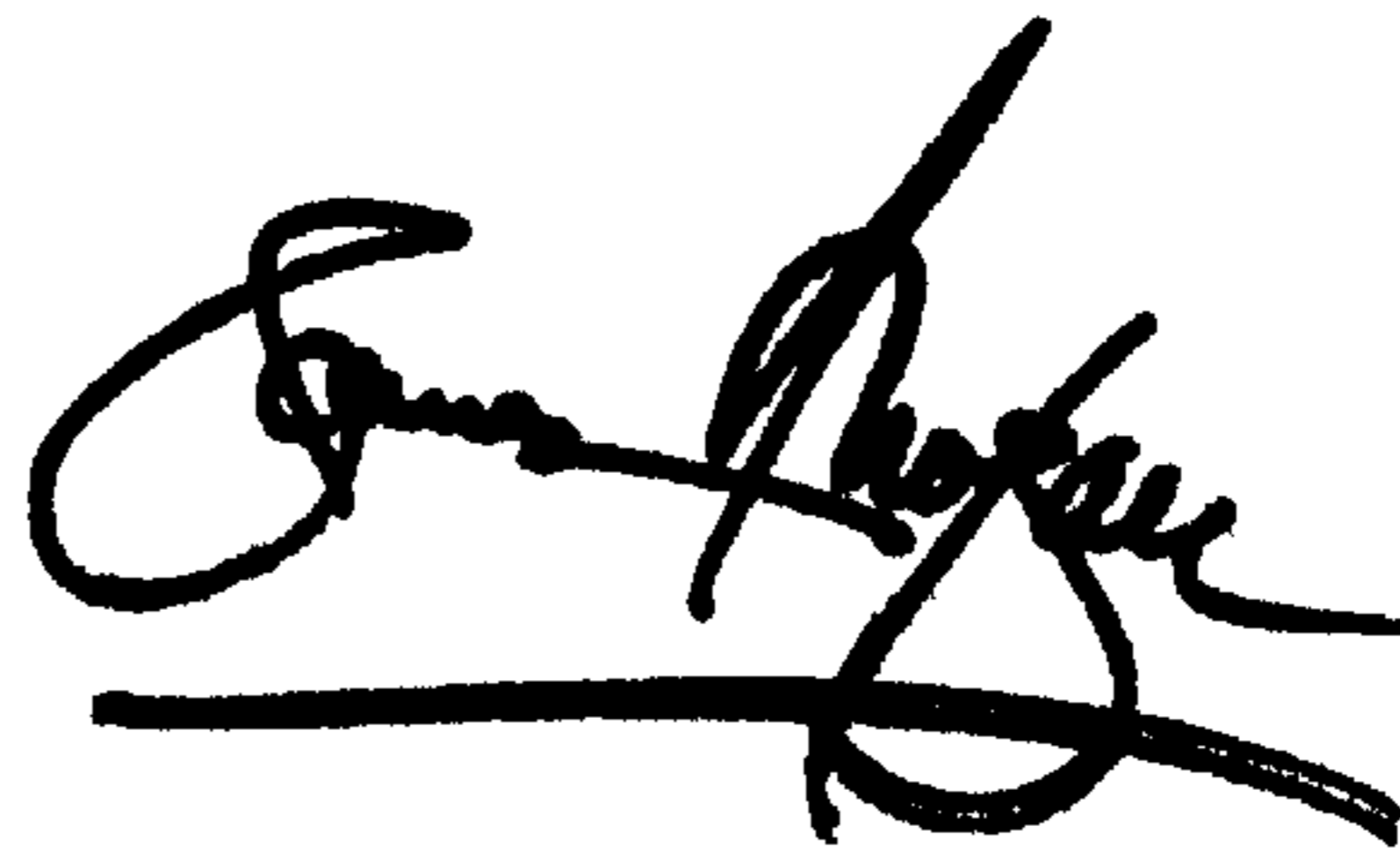
Item [75], 3rd Inventor should read: -- **Koji Kamata**, Niiza Katayama (JP) --

DESCRIPTION,

FIG. 1, line 2, change "my" to -- our --.

Signed and Sealed this

Eighth Day of July, 2003

A handwritten signature in black ink, appearing to read "James E. Rogan", written over a horizontal line.

JAMES E. ROGAN
Director of the United States Patent and Trademark Office