



US00D471137S

(12) **United States Design Patent**
Shepherd et al.

(10) **Patent No.:** **US D471,137 S**

(45) **Date of Patent:** **** Mar. 4, 2003**

(54) **ILLUMINATED REMOVABLE COVER FOR TRAILER HITCH**

(76) Inventors: **Chad L. Shepherd**, 78 W. 580 S., Hurricane, UT (US) 84737; **Donna M. Shepherd**, 78 W. 580 S., Hurricane, UT (US) 84737

(**) Term: **14 Years**

(21) Appl. No.: **29/149,422**

(22) Filed: **Oct. 11, 2001**

(51) **LOC (7) Cl.** **12-16**

(52) **U.S. Cl.** **D12/162**

(58) **Field of Search** D12/162, 400, D12/203; D26/24, 28-36, 38, 138-139; 280/495, 504-507, 511; 293/122; 138/89-89.4; 362/806, 505-506, 459-460, 484-487, 495-499, 549, 418-419, 427-428; D20/10

(56) **References Cited**

U.S. PATENT DOCUMENTS

5,280,941	A	1/1994	Guhlin	
5,303,947	A	4/1994	Gerber	
5,441,294	A	8/1995	Losier	
D419,505	S	* 1/2000	Deerman	D12/162
D425,460	S	* 5/2000	Peroni	D12/162
D426,798	S	* 6/2000	Peroni	D12/162
D430,519	S	* 9/2000	Beauvais	D12/162
D433,358	S	* 11/2000	McBroom	D12/162

D444,433	S	* 7/2001	McBroom et al.	D12/162
D450,638	S	* 11/2001	Calderon	D12/162
D458,195	S	* 6/2002	Beauvais	D12/162
D464,919	S	* 10/2002	Pichan	D12/162

* cited by examiner

Primary Examiner—Stacia Cadmus

(74) *Attorney, Agent, or Firm*—Donald R. Schoonover

(57) **CLAIM**

The ornamental design for an illuminated removable cover for trailer hitch, as shown and described.

DESCRIPTION

FIG. 1 is a perspective view of the illuminated removable cover for trailer hitch embodying the design of the present invention, shown in exploded condition;

FIG. 2 is a front elevational view shown with the cover attached;

FIG. 3 is a rear elevational view of FIG. 2;

FIG. 4 is a left side elevational view of FIG. 2;

FIG. 5 is a right side elevational view of FIG. 2;

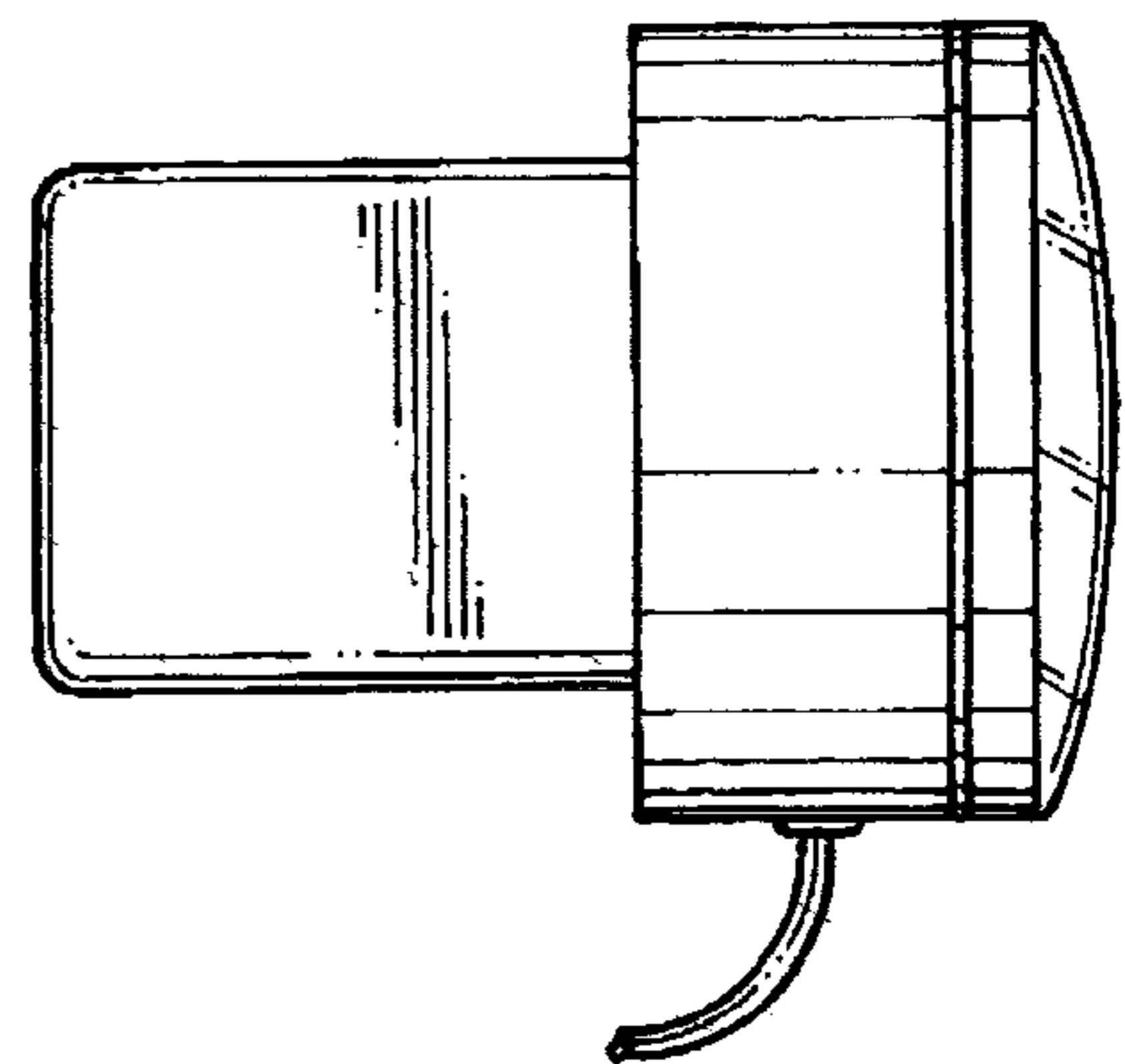
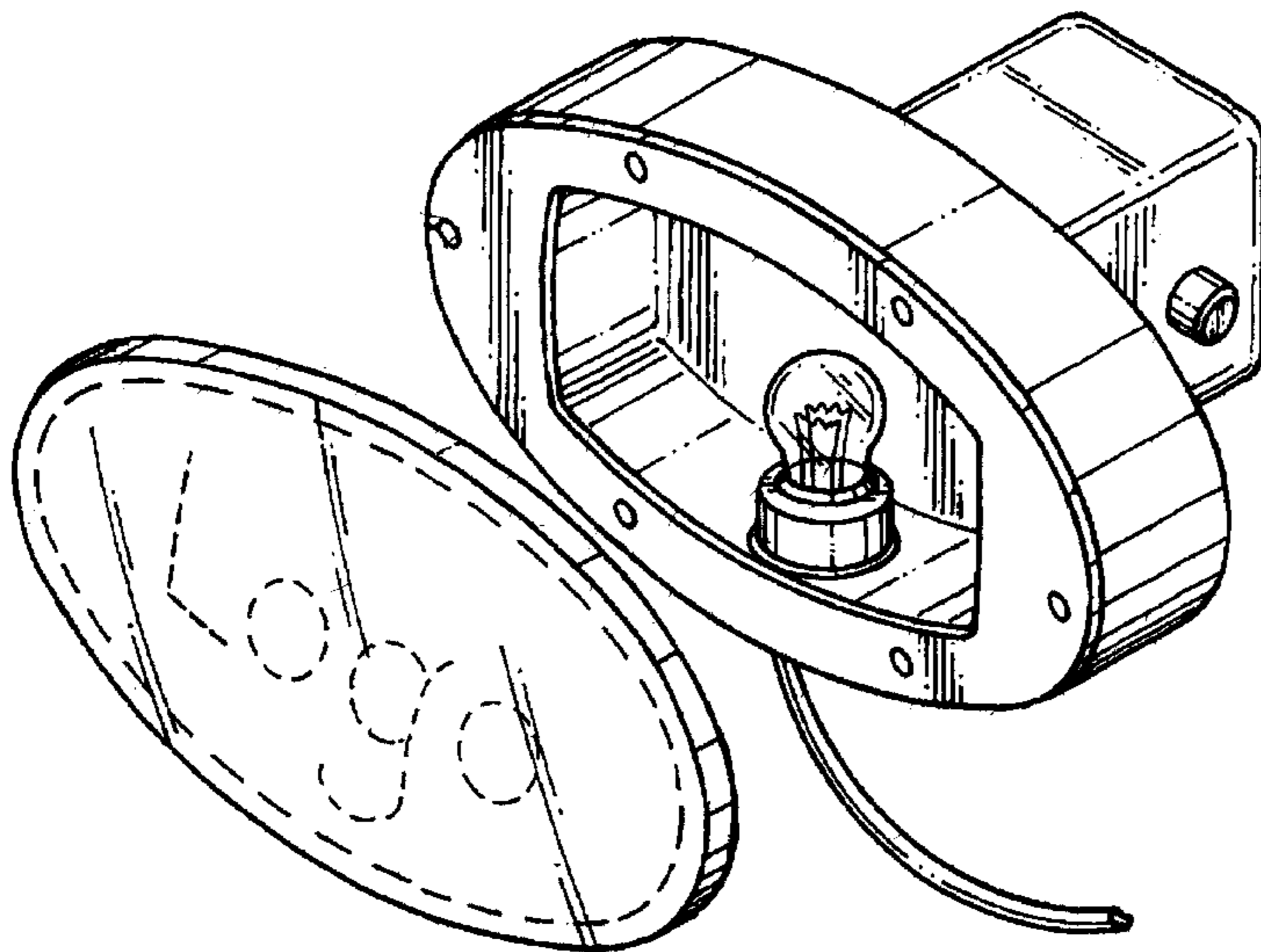
FIG. 6 is a top plan view of FIG. 2;

FIG. 7 is a bottom plan view of FIG. 2; and,

FIG. 8 is a reduced perspective view showing the illuminated removable cover for trailer hitch in use.

The broken line showing of environmental structure is for illustrative purposes only and forms no part of the claimed design.

1 Claim, 5 Drawing Sheets



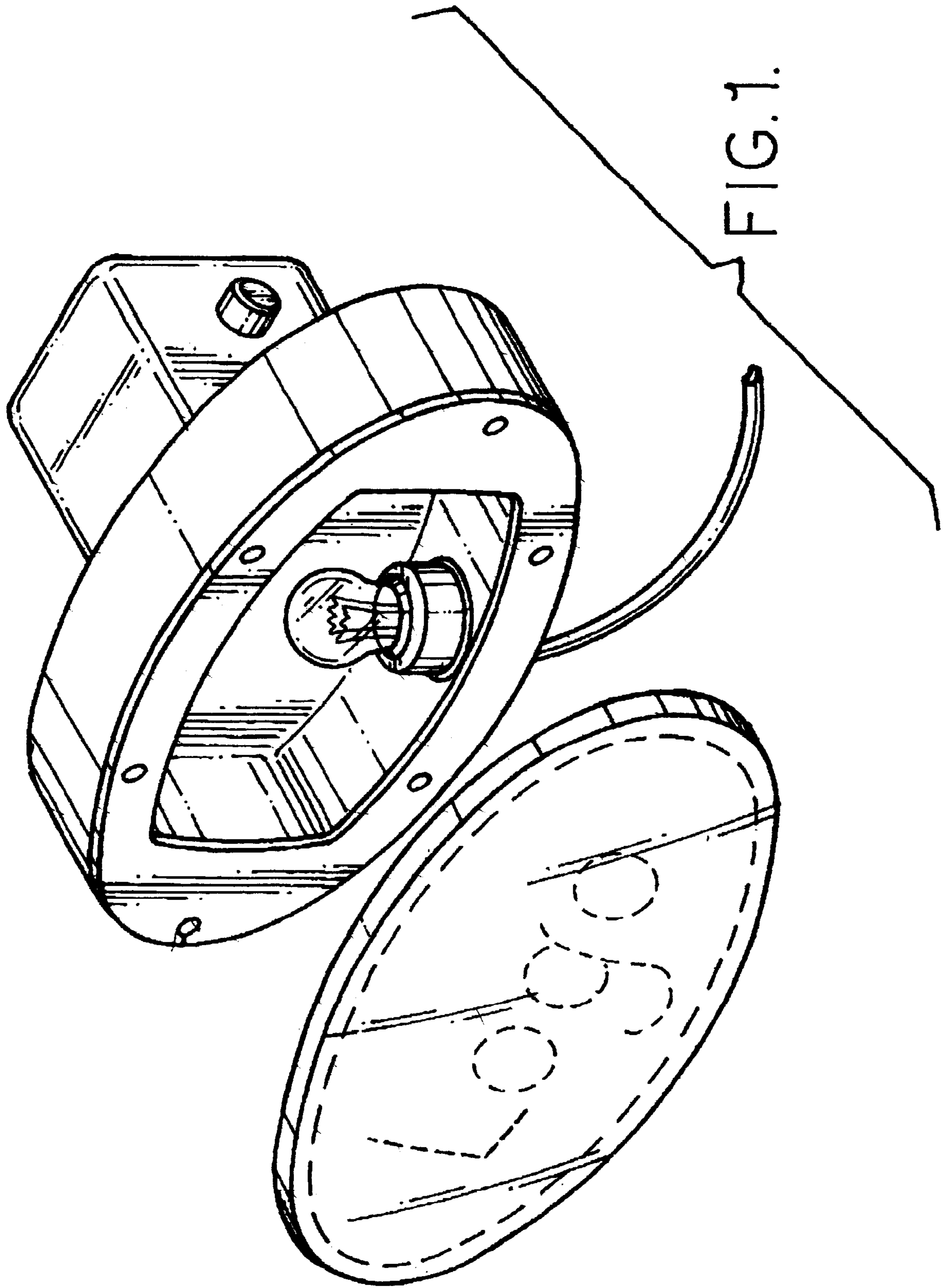


FIG. 1.

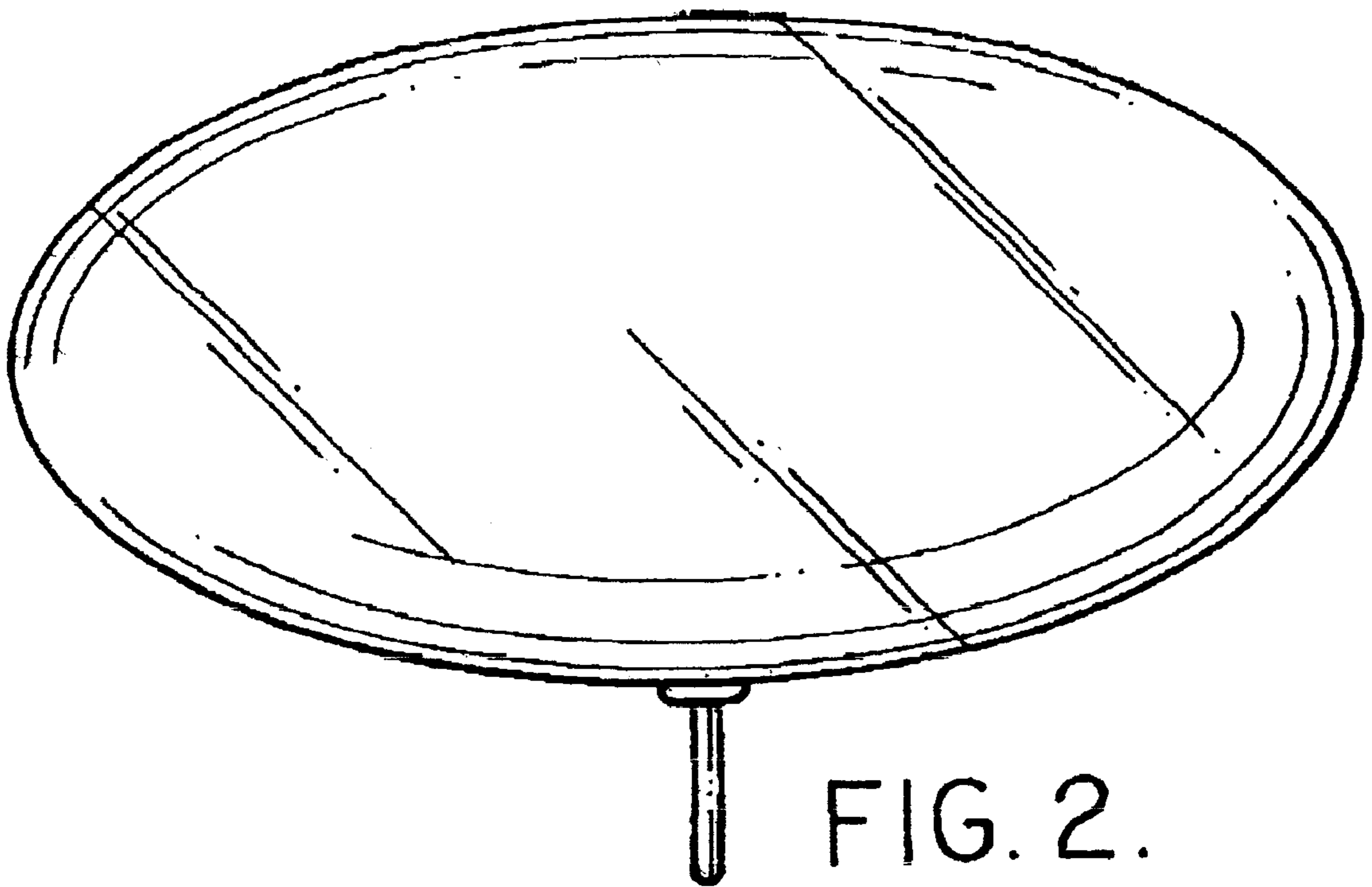


FIG. 2.

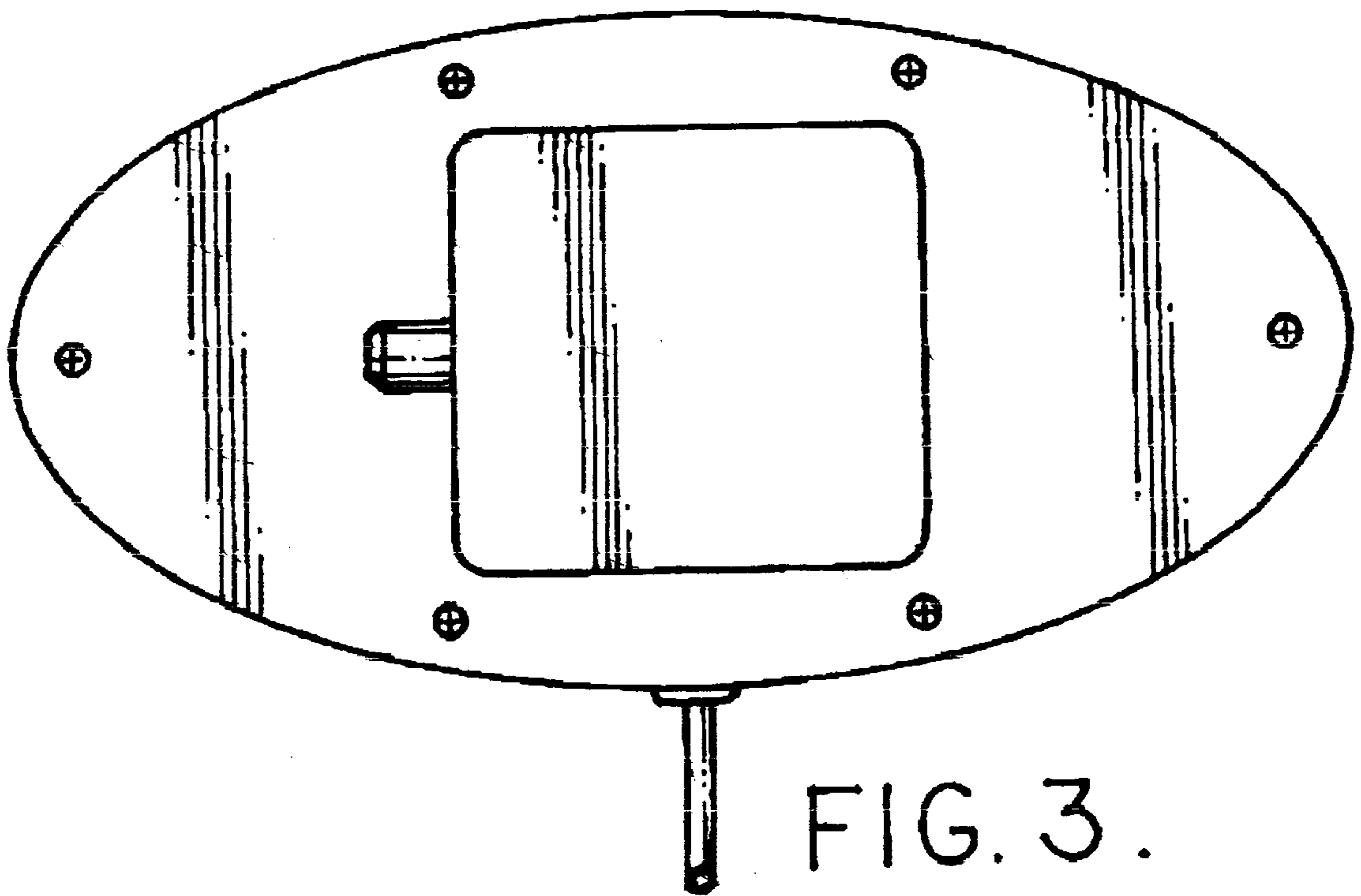


FIG. 3.

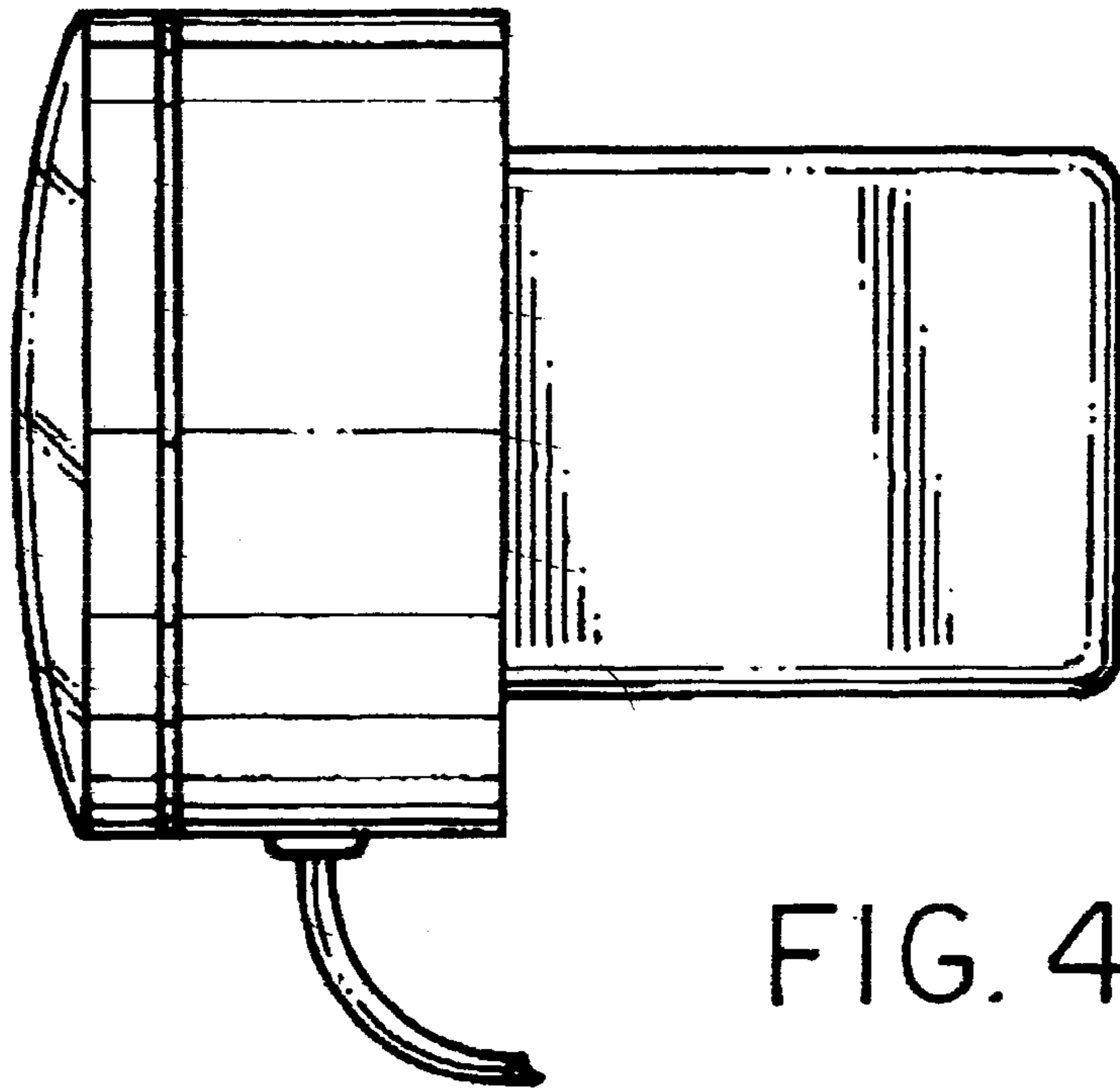


FIG. 4.

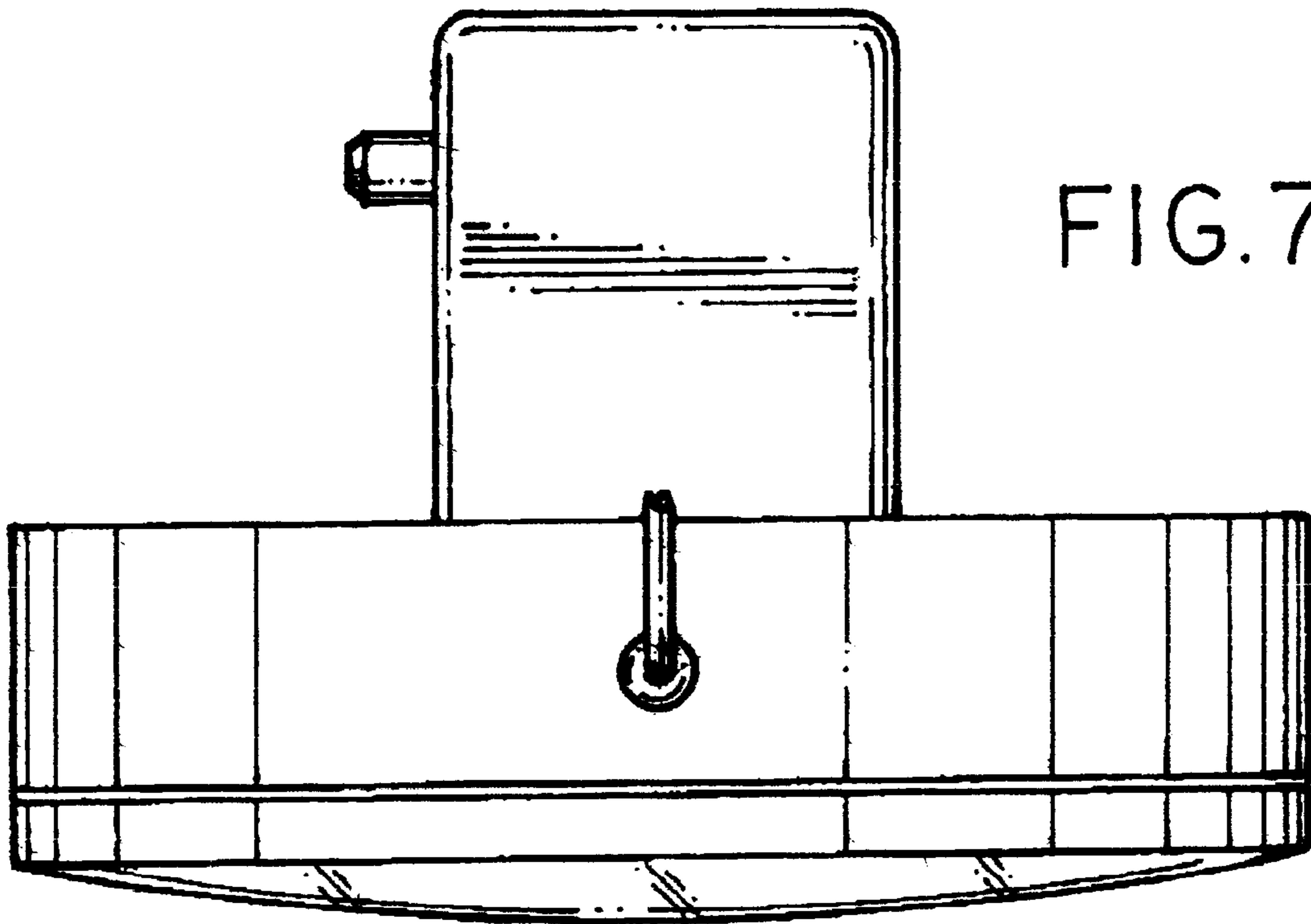


FIG. 7.

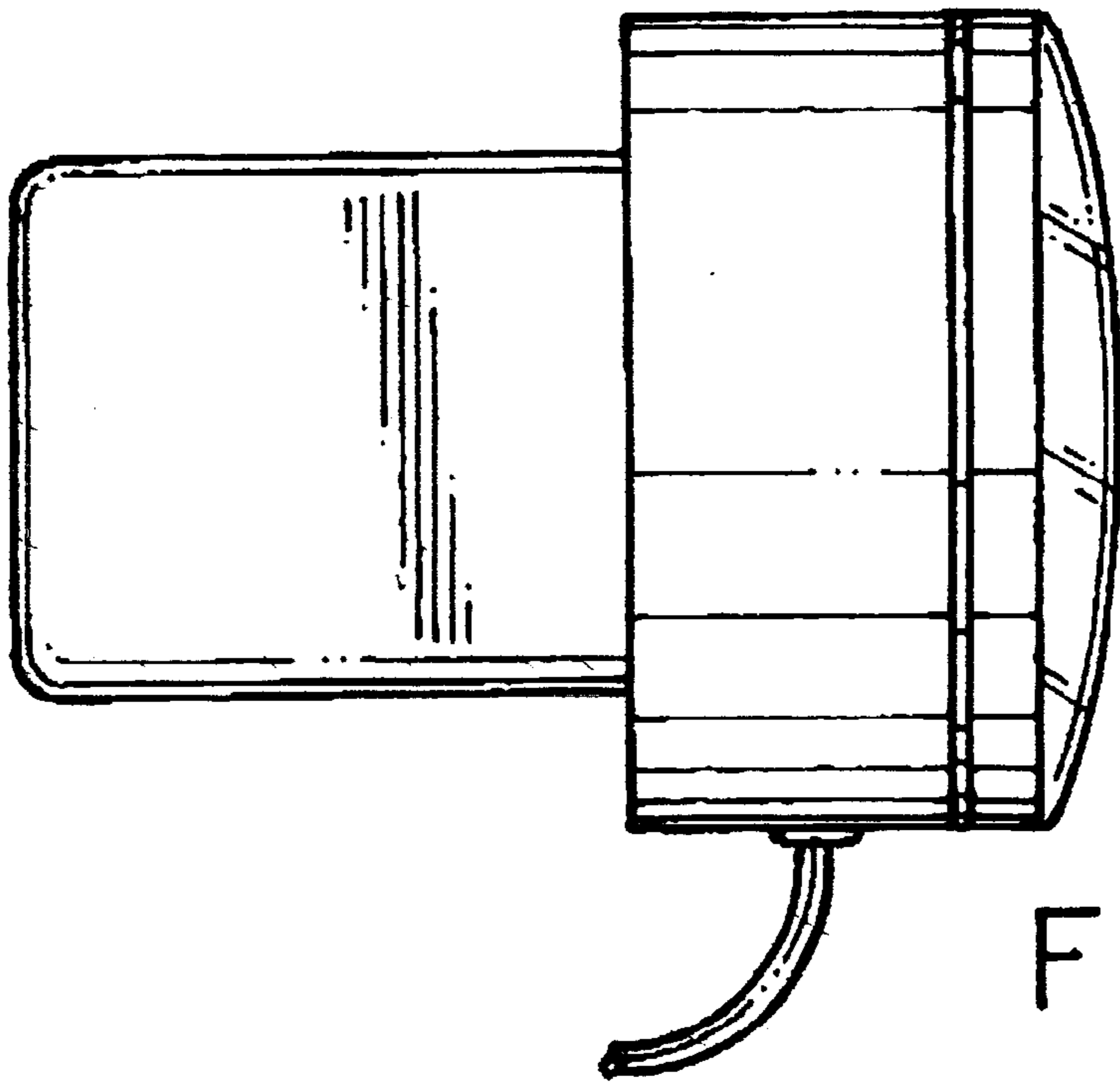


FIG. 5.

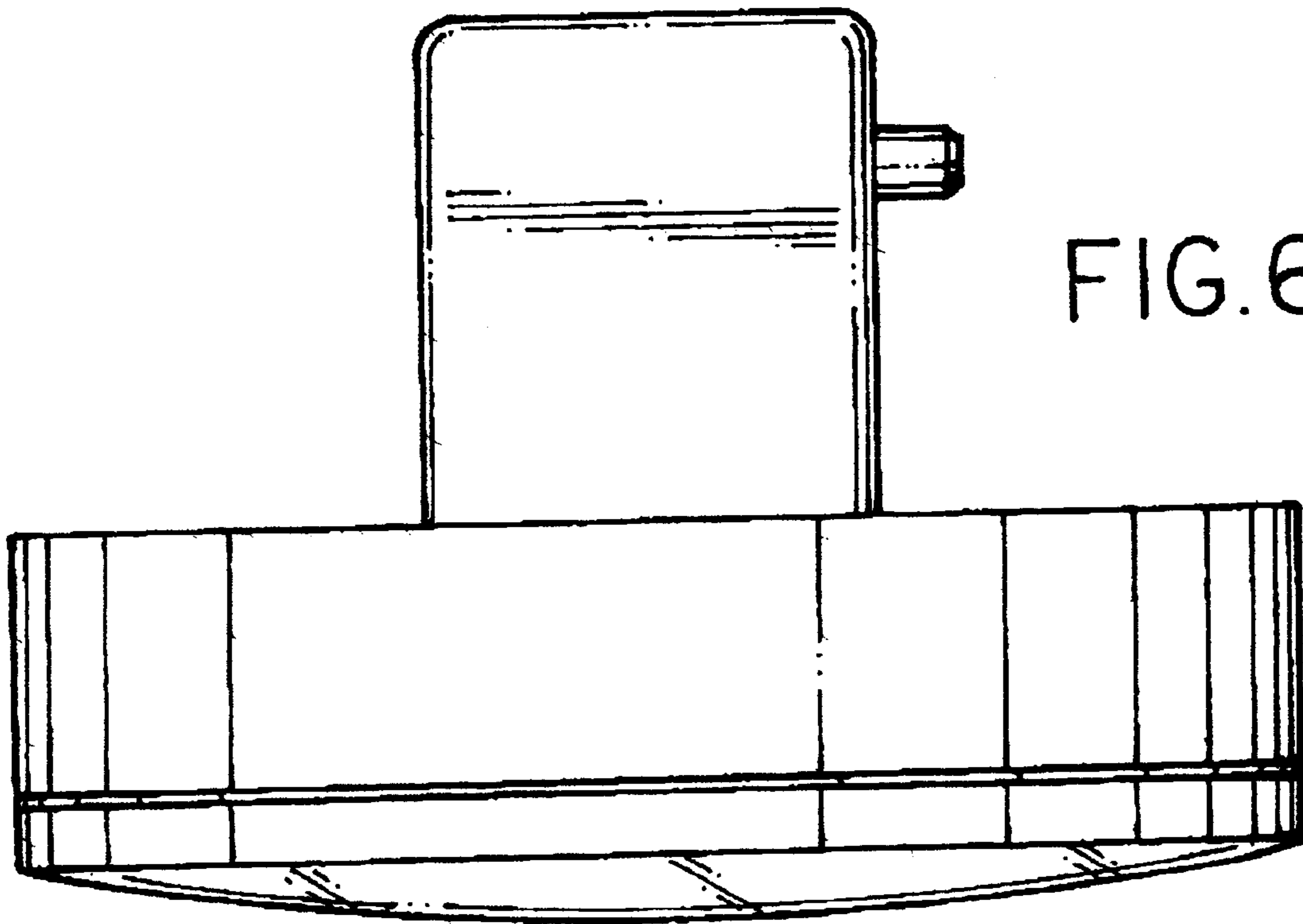


FIG. 6.

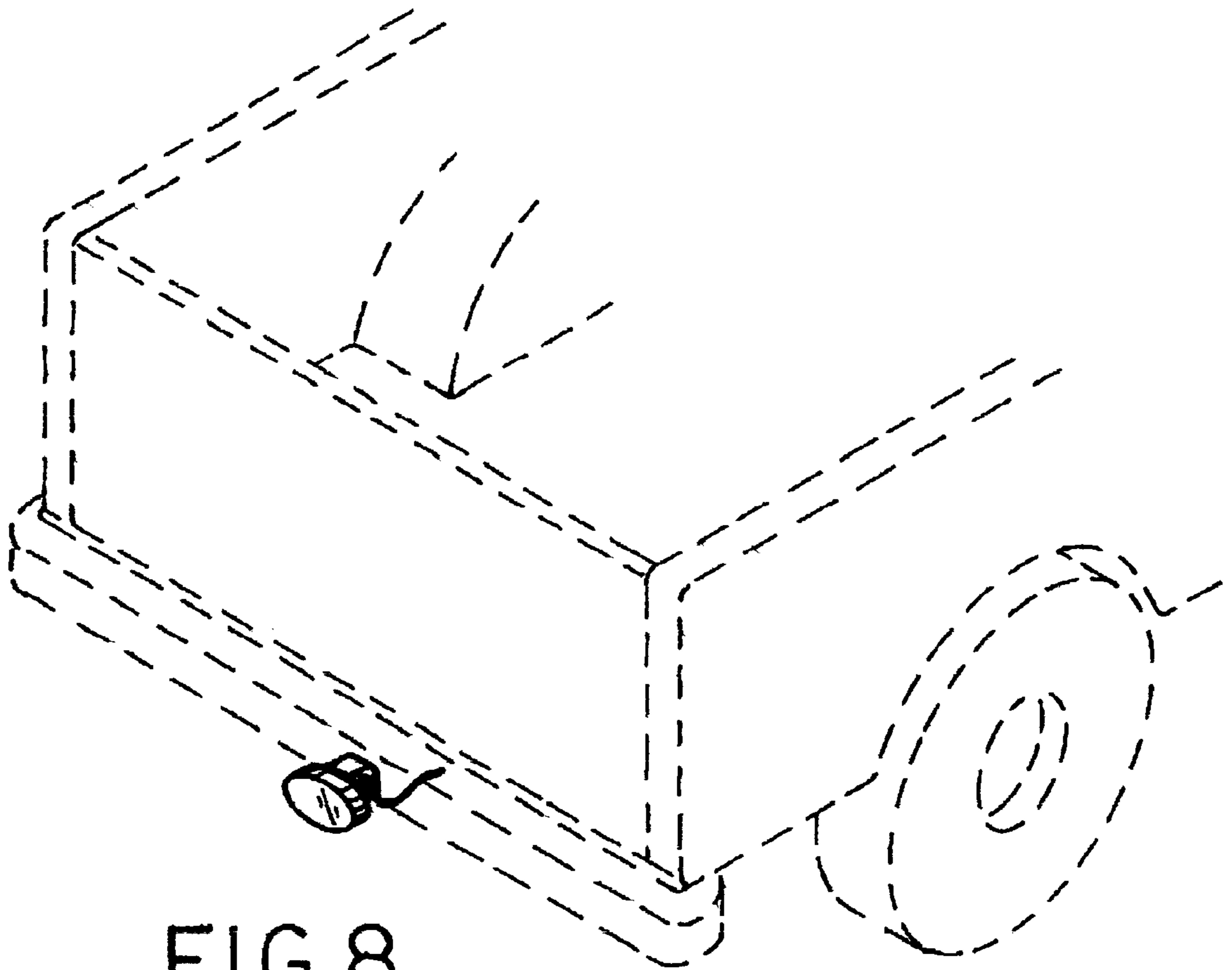


FIG. 8.