



US00D471134S

(12) **United States Design Patent**
Yoneoka et al.

(10) **Patent No.:** **US D471,134 S**

(45) **Date of Patent:** **** Mar. 4, 2003**

(54) **SLIDER FOR A SLIDE FASTENER**

D446,165 S 8/2001 Yoneoka

(75) Inventors: **Morimasa Yoneoka**, Toyama-ken (JP);
Keiichi Keyaki, Namerikawa (JP)

* cited by examiner

(73) Assignee: **YKK Corporation**, Tokyo (JP)

Primary Examiner—Ralf Seifert
(74) *Attorney, Agent, or Firm*—Finnegan, Henderson,
Farabow, Garrett, & Dunner LLP

(**) Term: **14 Years**

(57) **CLAIM**

(21) Appl. No.: **29/160,875**

The ornamental design for a slider for a slide fastener, as shown and described.

(22) Filed: **May 20, 2002**

(30) **Foreign Application Priority Data**

Nov. 27, 2001 (JP) 2001-034655

(51) **LOC (7) Cl.** **02-07**

(52) **U.S. Cl.** **D11/221**

(58) **Field of Search** D11/200, 221;
264/252; 24/415-417, 421, 427-431, 381

DESCRIPTION

FIG. 1 is a front elevational view of a slider for a slide fastener of the claimed design;
FIG. 2 is a back elevational view of the design of FIG. 1;
FIG. 3 is a top view of the design of FIG. 1;
FIG. 4 is a bottom view of the design of FIG. 1;
FIG. 5 is a left-side view of the design of FIG. 1;
FIG. 6 is a right-side view of the design of FIG. 1;
FIG. 7 is a cross-sectional view of the design of FIG. 1, taken on section lines 7-7 of FIG. 1; and,
FIG. 8 is a cross-sectional view of the design of FIG. 1, taken on section lines 8-8 of FIG. 1.

(56) **References Cited**

U.S. PATENT DOCUMENTS

- D125,890 S * 3/1941 Holland D11/221
- D305,007 S 12/1989 Hiroo
- D393,431 S * 4/1998 Kawamura D11/221

1 Claim, 6 Drawing Sheets

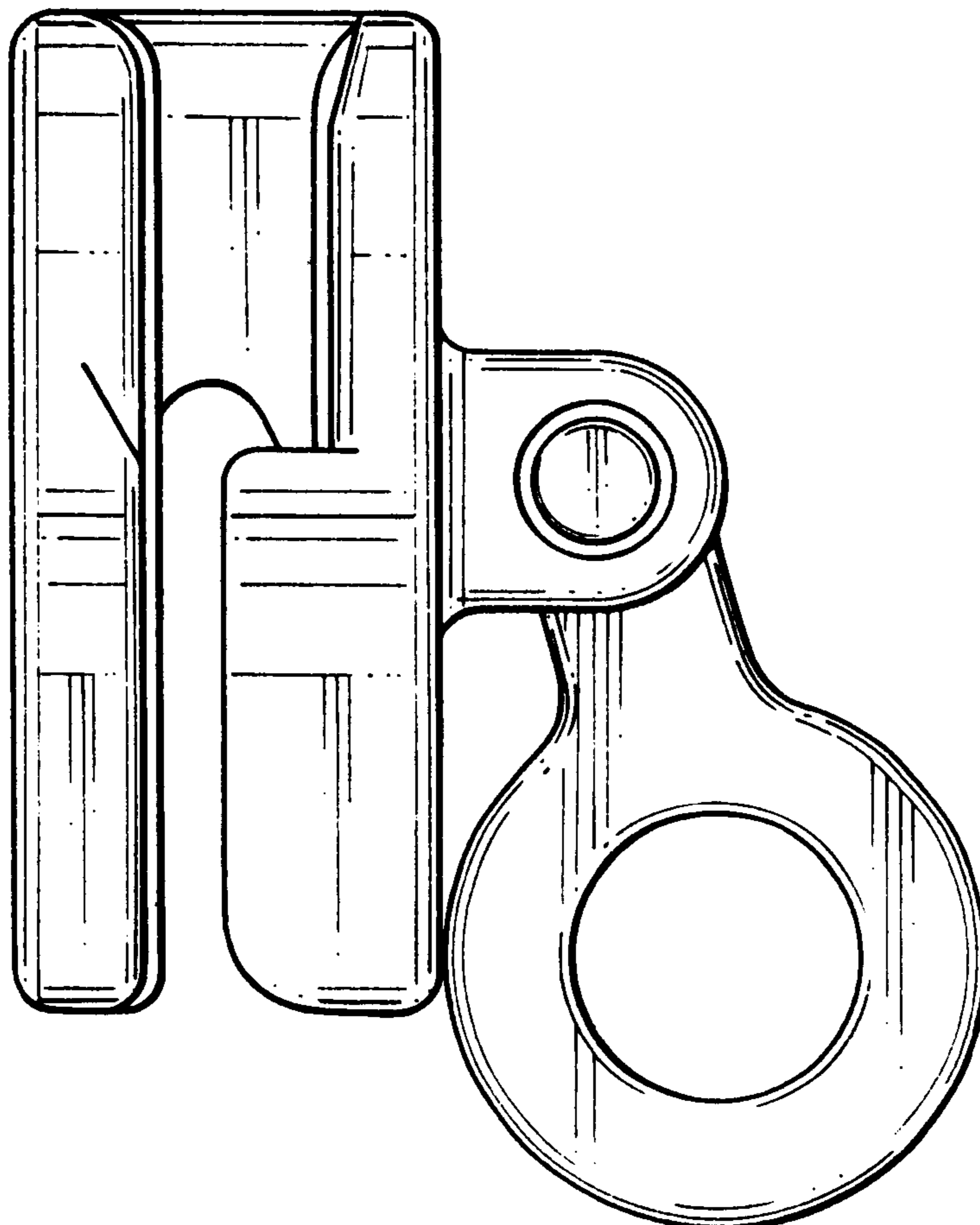


FIG. 1

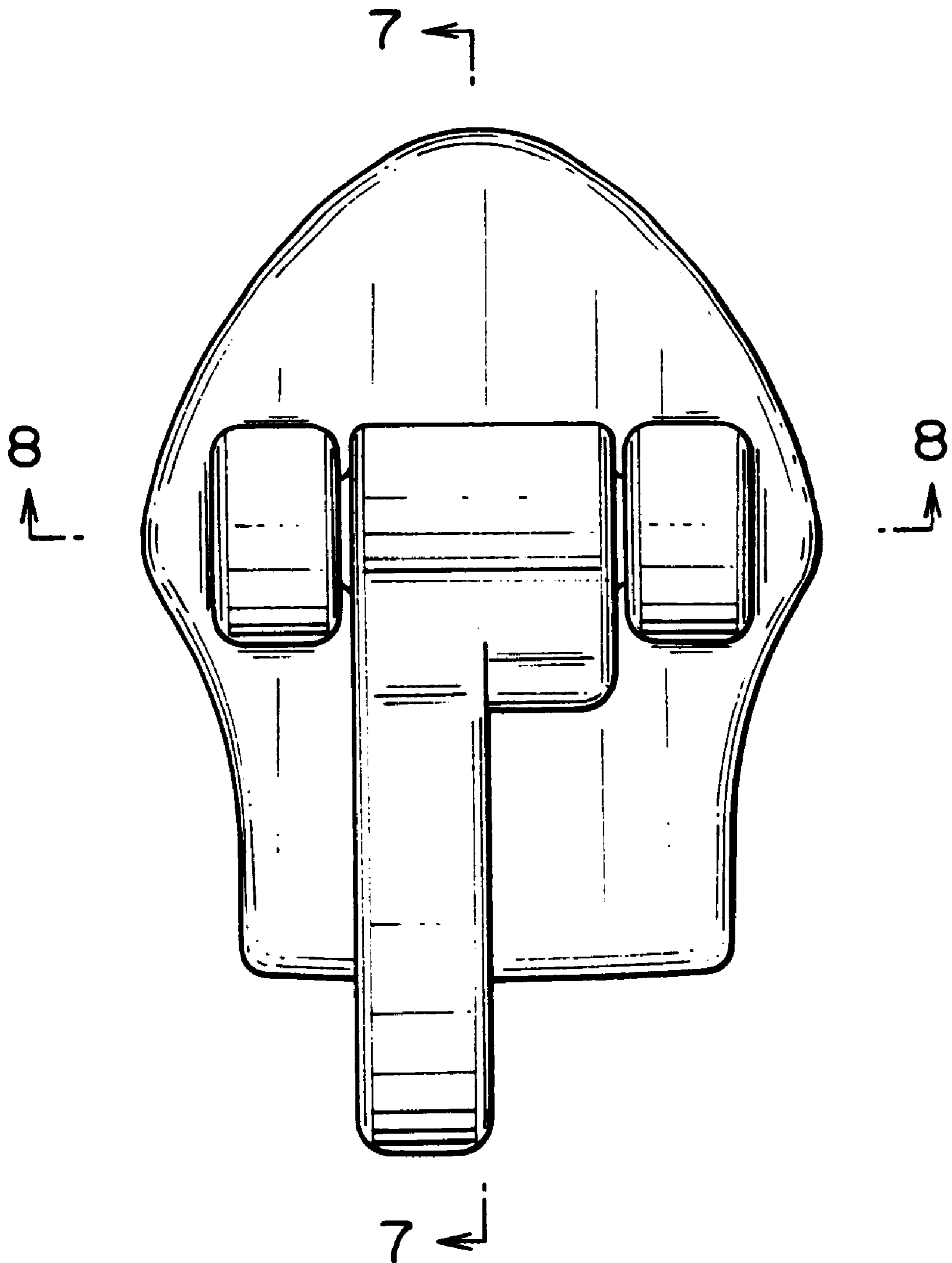


FIG. 2

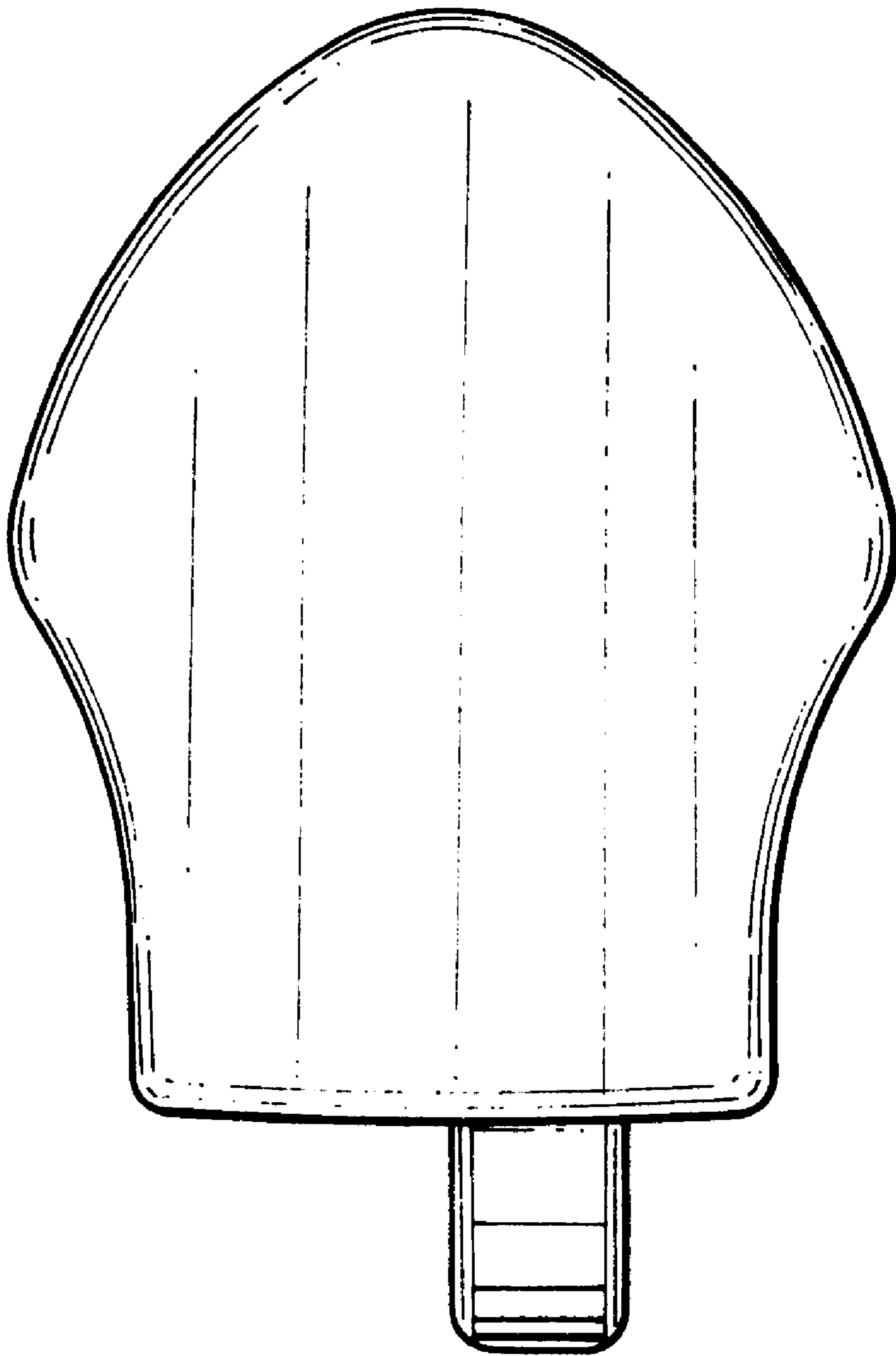


FIG. 3

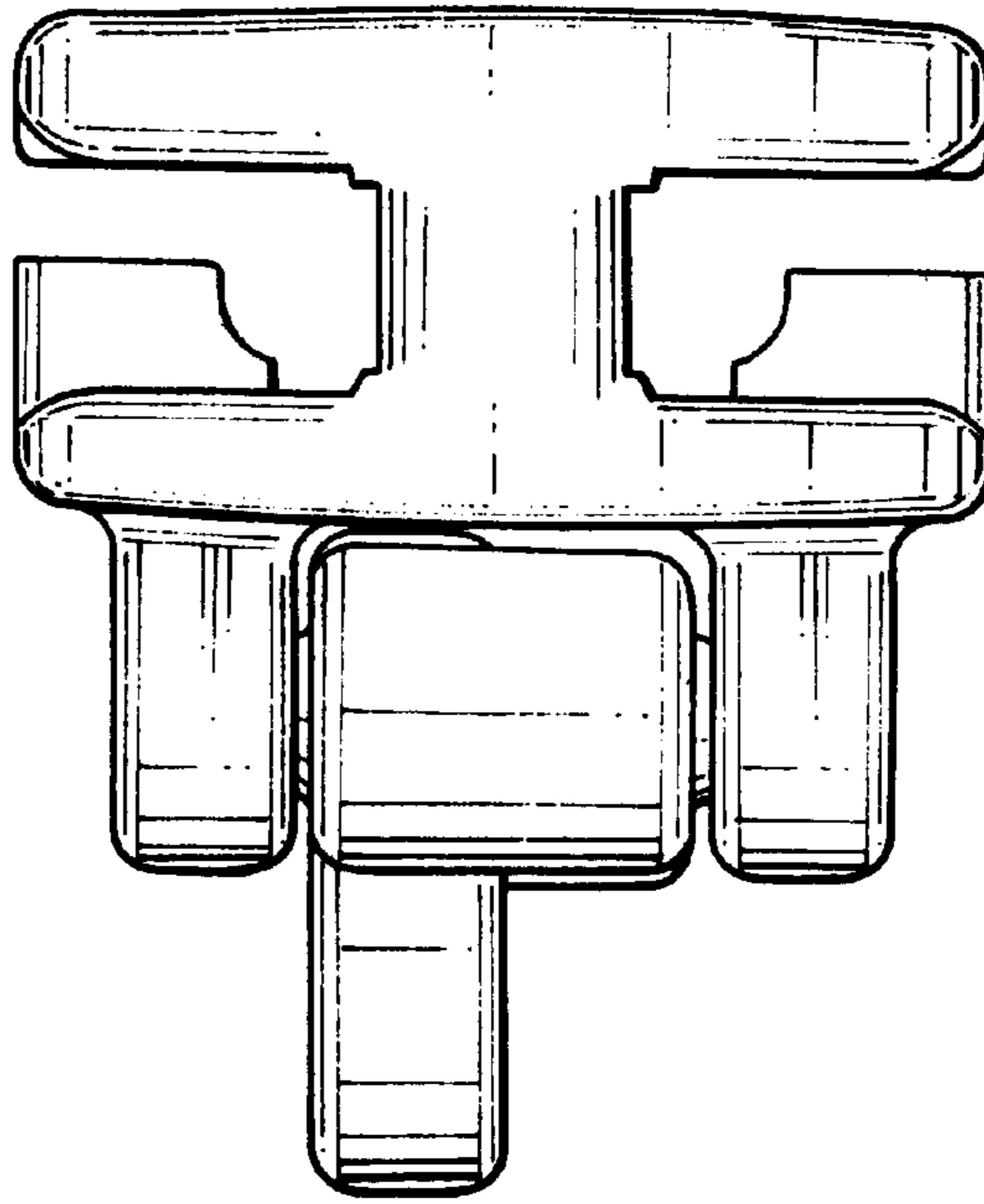


FIG. 4

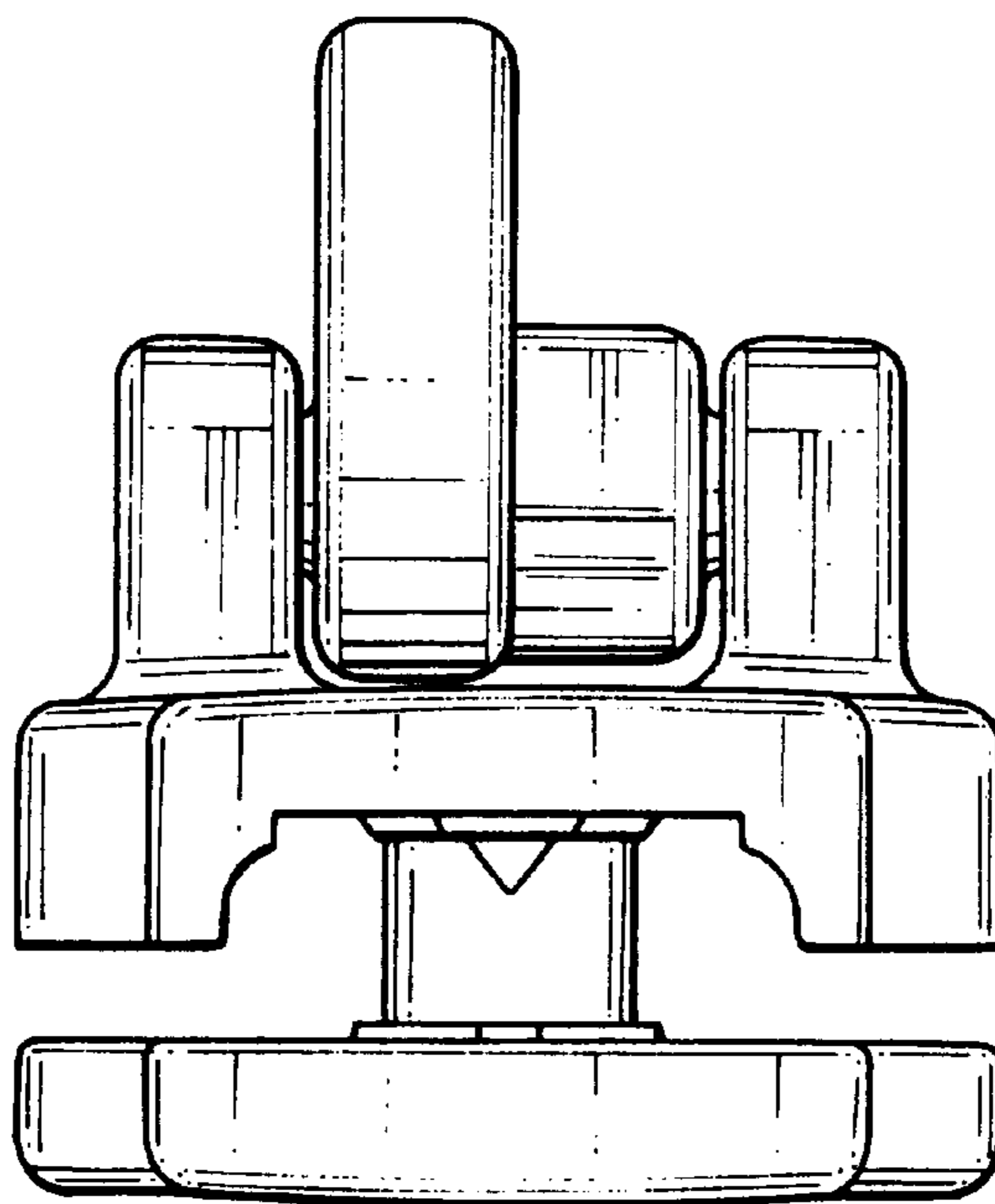


FIG. 5

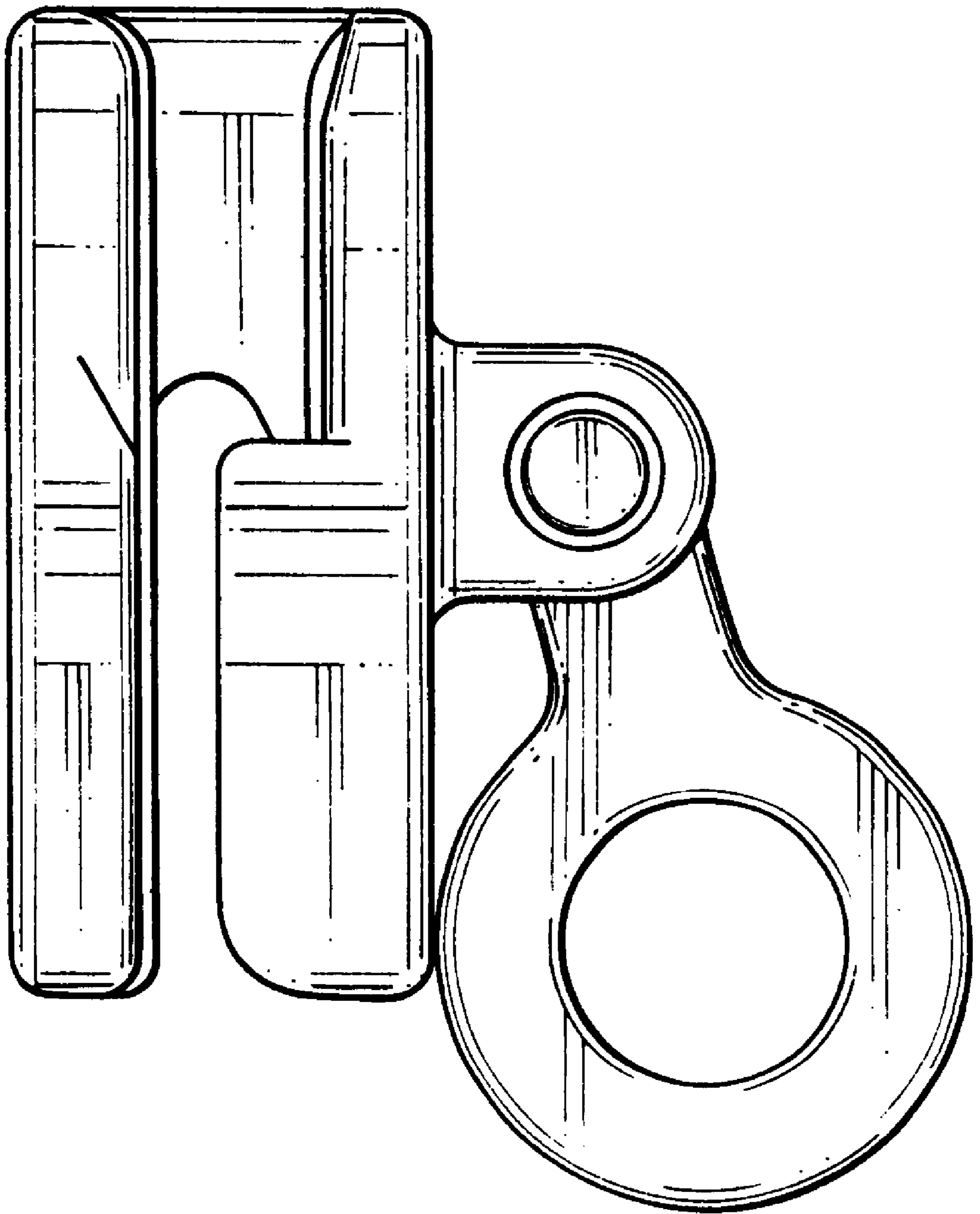


FIG. 6

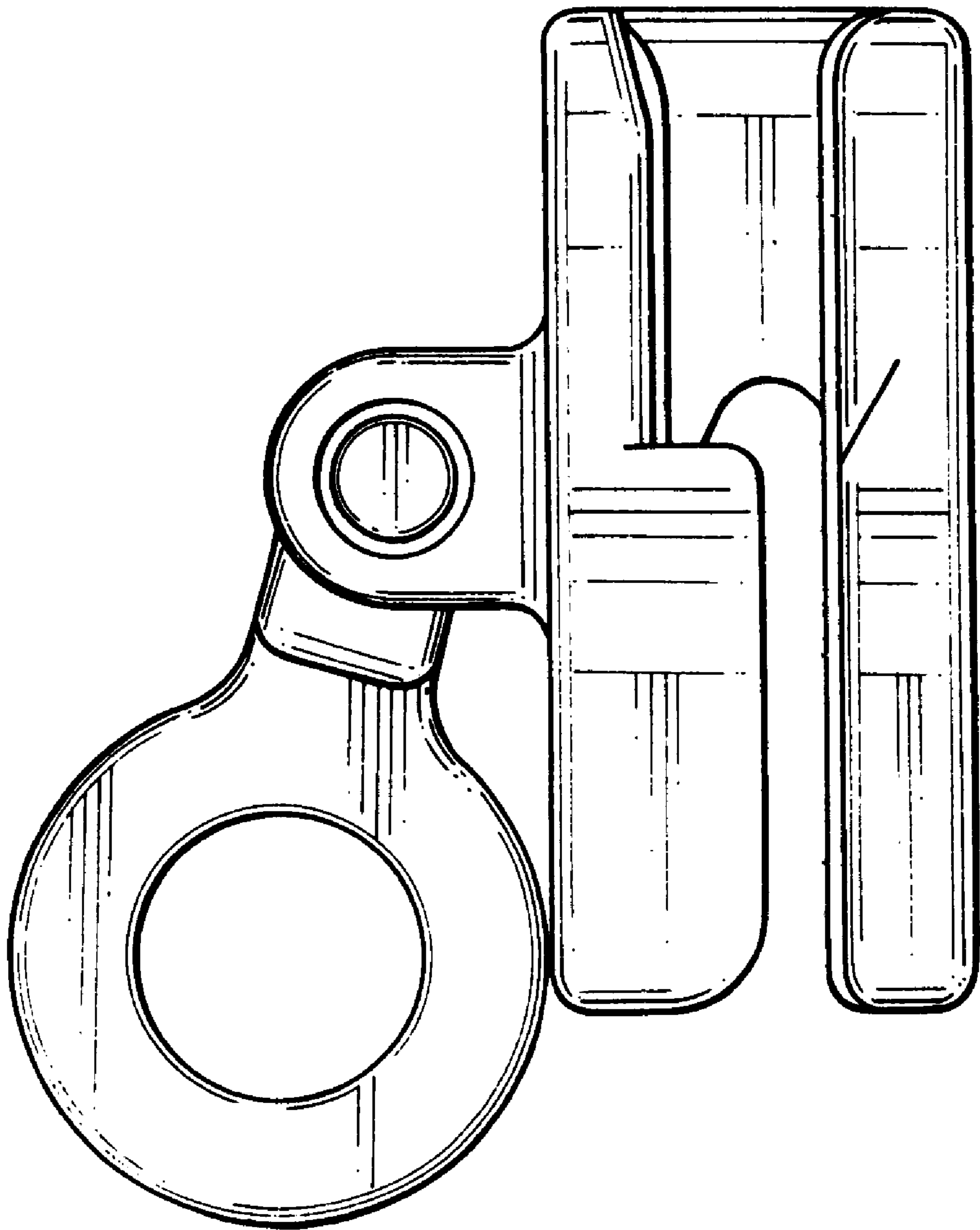


FIG. 7

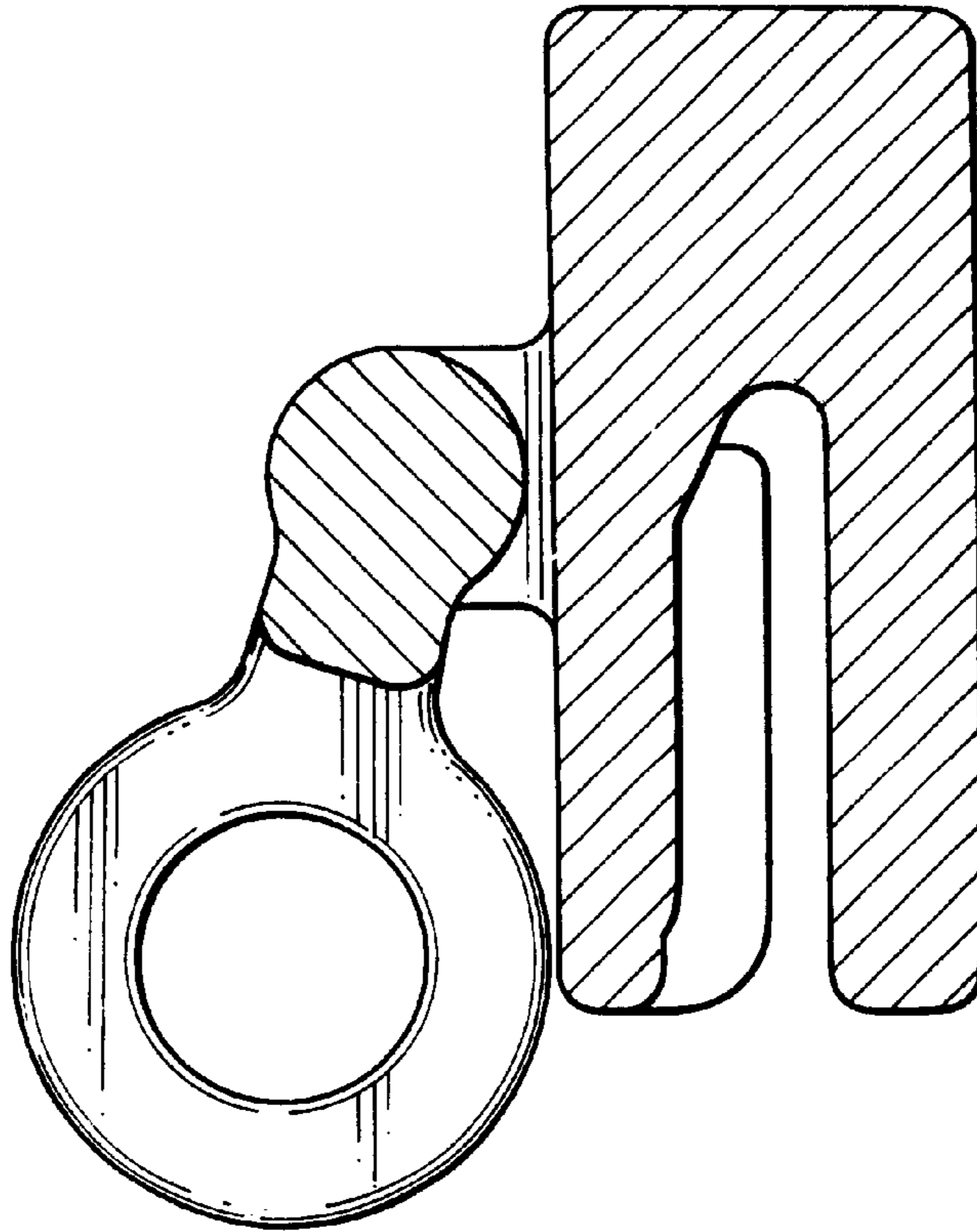


FIG. 8

