



US00D471132S

(12) **United States Design Patent**
Murata

(10) **Patent No.:** **US D471,132 S**

(45) **Date of Patent:** **** Mar. 4, 2003**

(54) **ADJUSTER**

(75) Inventor: **Koji Murata, Lille (FR)**

(73) Assignee: **YKK Corporation, Tokyo (JP)**

(**) Term: **14 Years**

(21) Appl. No.: **29/139,689**

(22) Filed: **Apr. 5, 2001**

(30) **Foreign Application Priority Data**

Oct. 5, 2000 (FR) 00 5756

(51) **LOC (7) Cl.** **02-07**

(52) **U.S. Cl.** **D11/218**

(58) **Field of Search** D11/218, 216,
D11/200; 24/200, 198, 163 R

(56) **References Cited**

U.S. PATENT DOCUMENTS

873,791 A * 12/1907 Rubin 24/198
1,147,955 A * 4/1915 Langhammer 24/198

1,719,469 A * 2/1929 Hirsch 24/198
D290,349 S * 6/1987 Kasai D11/218

* cited by examiner

Primary Examiner—Louis S. Zarfes

Assistant Examiner—Gregory Andoll

(74) *Attorney, Agent, or Firm*—Jacobson Holman PLLC

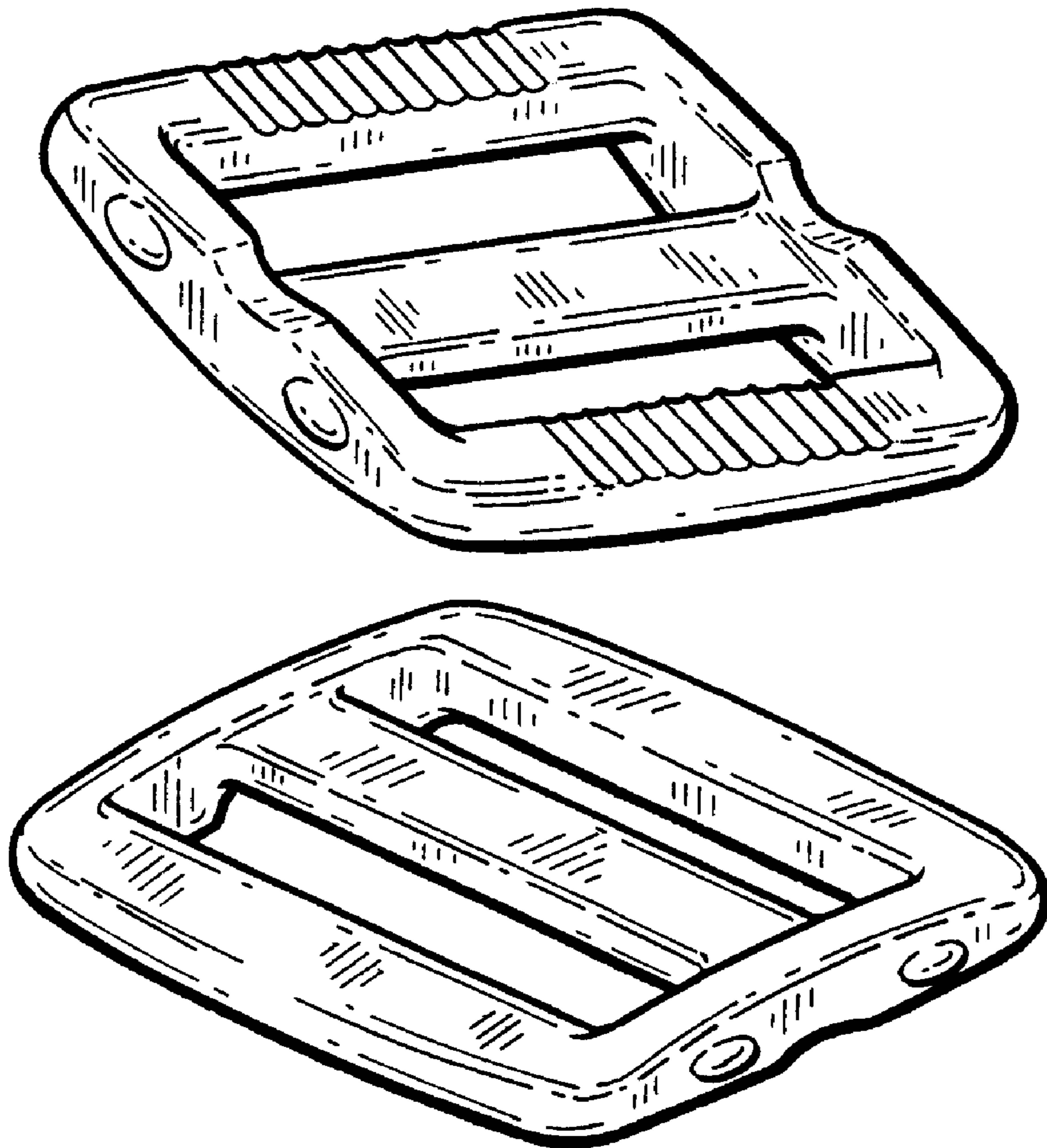
(57) **CLAIM**

The ornamental design for an adjuster, as shown and described.

DESCRIPTION

FIG. 1 is a rear perspective view showing my new design for an adjuster,
FIG. 2 is a right side view, the opposite side being a mirror image thereof;
FIG. 3 is a front view thereof;
FIG. 4 is a front perspective view thereof;
FIG. 5 is a top view thereof;
FIG. 6 is a rear view thereof; and,
FIG. 7 is a bottom view thereof.

1 Claim, 2 Drawing Sheets



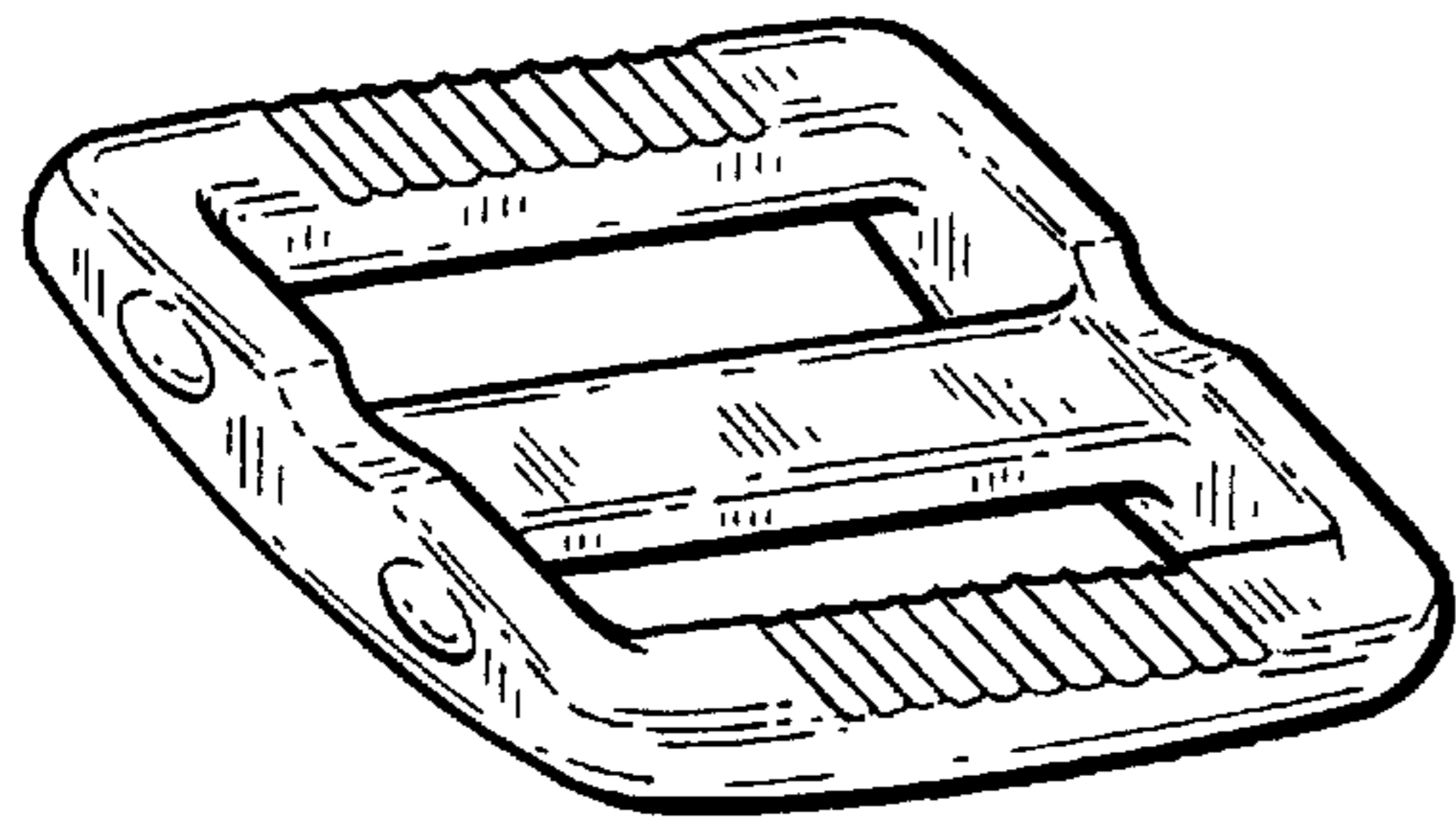


FIG. 1

FIG. 2

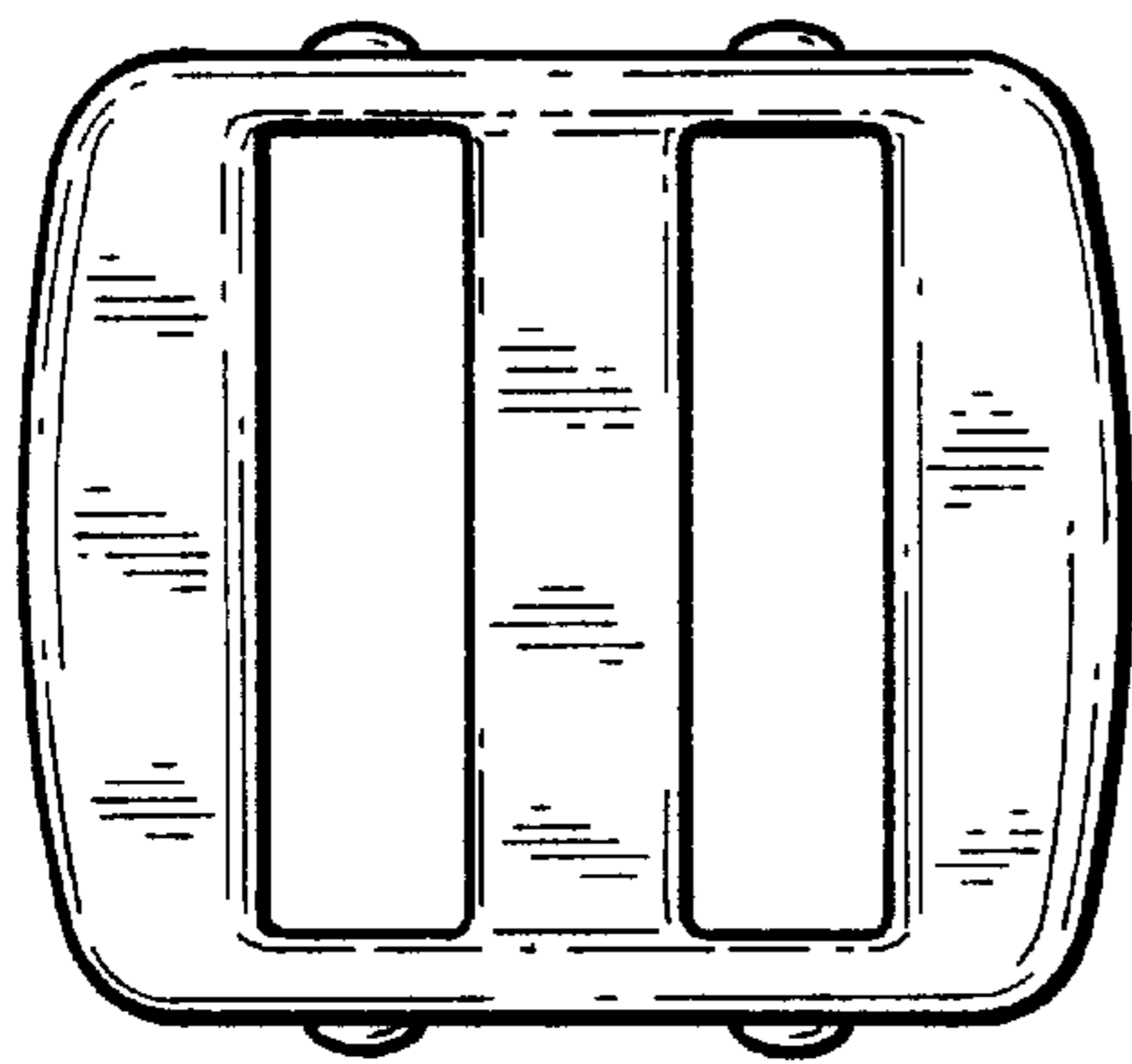


FIG. 3

FIG. 4

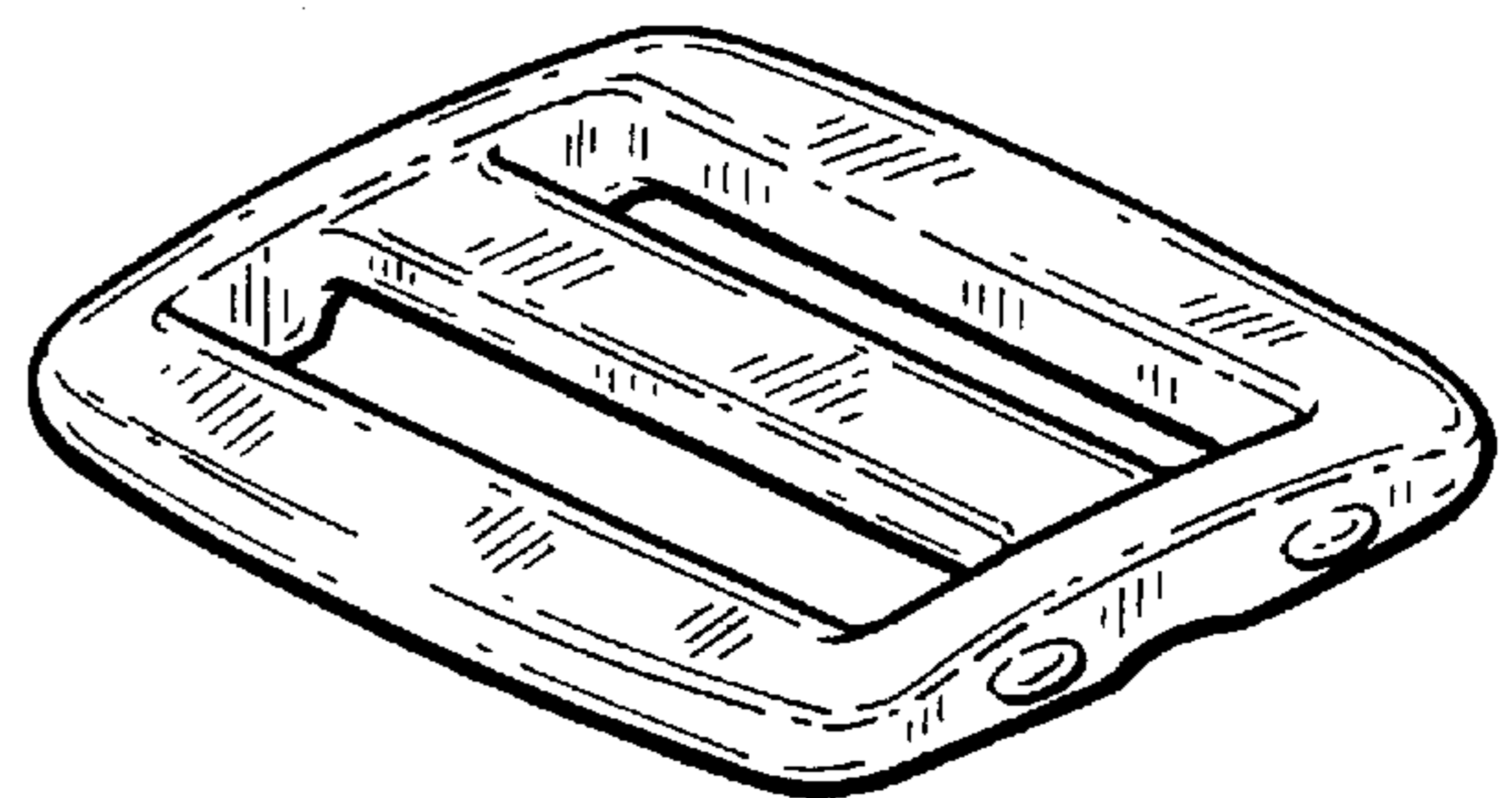


FIG. 5

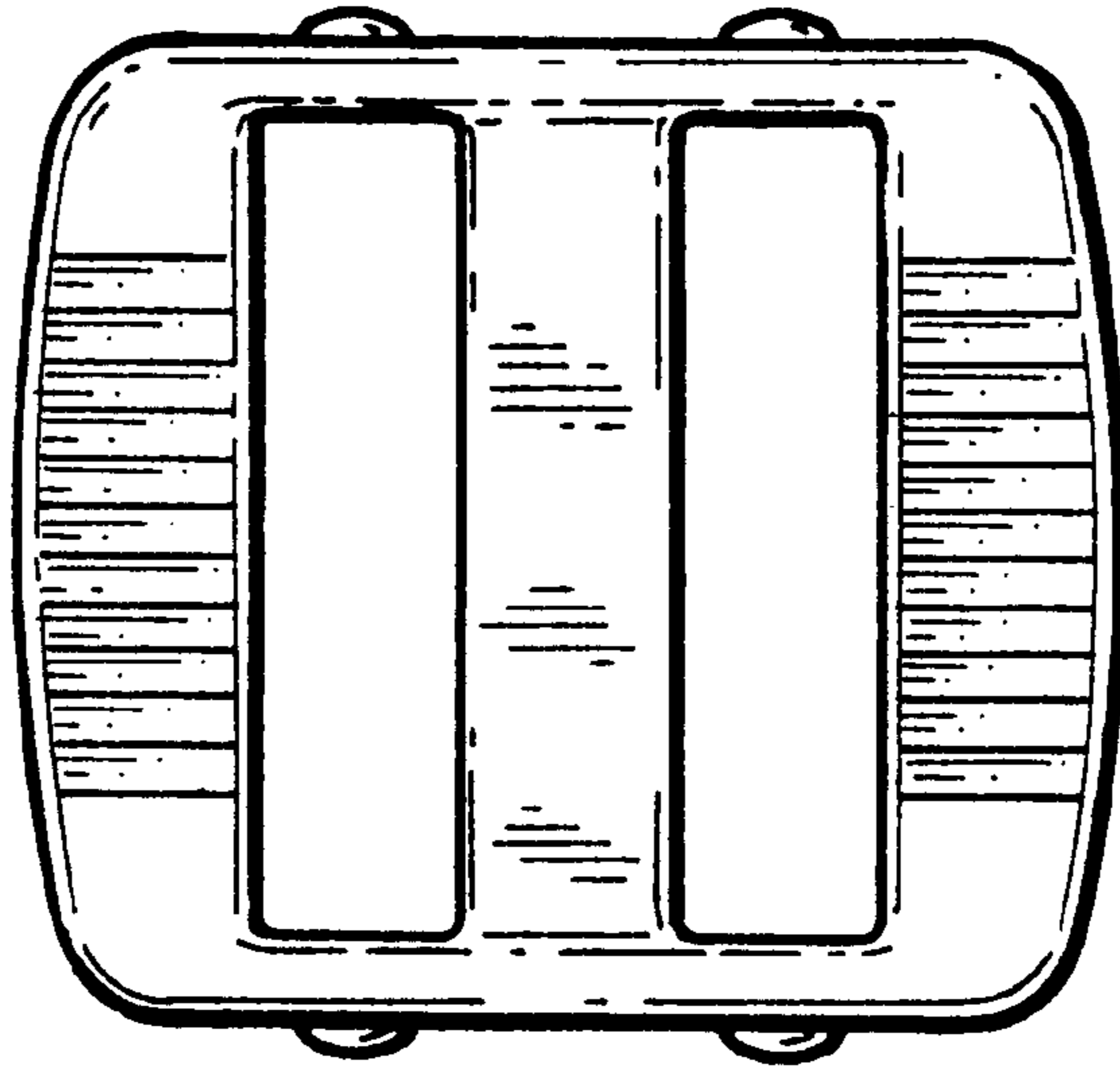


FIG. 6



FIG. 7