



US00D471131S

(12) **United States Design Patent**  
**Kawamura**

(10) **Patent No.:** **US D471,131 S**

(45) **Date of Patent:** **\*\* Mar. 4, 2003**

(54) **BUCKLE**

(75) Inventor: **Ryoji Kawamura**, Taipei (TW)

(73) Assignee: **YKK Corporation**, Tokyo (JP)

(\*\*) Term: **14 Years**

(21) Appl. No.: **29/155,233**

(22) Filed: **Feb. 8, 2002**

(30) **Foreign Application Priority Data**

Aug. 10, 2001 (JP) ..... 2001-023793

(51) **LOC (7) Cl.** ..... **02-04**

(52) **U.S. Cl.** ..... **D11/216**

(58) **Field of Search** ..... D11/200–220,  
D11/222–241; 24/200, 625, 615, 663, 623,  
633, 196

(56) **References Cited**

**U.S. PATENT DOCUMENTS**

4,825,515	A	*	5/1989	Wolterstorff, Jr.	.....	24/625
D320,178	S	*	9/1991	Kasai	.....	D11/218
5,222,279	A	*	6/1993	Frano et al.	.....	24/625
D340,886	S	*	11/1993	Anscher	.....	D11/218
D341,105	S	*	11/1993	Lovato	.....	D11/216
D349,262	S	*	8/1994	Krauss	.....	D11/216
D364,125	S	*	11/1995	Anscher	.....	D11/216
D379,161	S	*	5/1997	Matoba	.....	D11/216
D402,589	S	*	12/1998	Lundstedt	.....	D11/216
D405,726	S	*	2/1999	Krauss	.....	D11/218
5,996,192	A	*	12/1999	Haines et al.	.....	24/625
6,052,875	A	*	4/2000	Fudaki	.....	24/625
D423,985	S	*	5/2000	Yoshiguchi	.....	D11/218
6,263,549	B1	*	7/2001	Uehara	.....	24/625
D447,442	S	*	9/2001	Maruoka	.....	D11/218
6,311,374	B1	*	11/2001	Anscher	.....	24/625

\* cited by examiner

*Primary Examiner*—Louis S. Zarfes

*Assistant Examiner*—Gregory Andoll

(74) *Attorney, Agent, or Firm*—Finnegan, Henderson, Farabow, Garrett & Dunner, L.L.P.

(57) **CLAIM**

The ornamental design for “buckle”, substantially as shown and described.

**DESCRIPTION**

FIG. 1 is a front view of a buckle showing our new design;

FIG. 2 is a rear view thereof;

FIG. 3 is a top plan view thereof;

FIG. 4 is a bottom view thereof;

FIG. 5 is a right side view thereof;

FIG. 6 is a cross sectional view along the line VI—VI of FIG. 1;

FIG. 7 is a front view of a male body of the buckle;

FIG. 8 is a rear view thereof;

FIG. 9 is a top plan view thereof;

FIG. 10 is a bottom view thereof;

FIG. 11 is a right side view thereof;

FIG. 12 is a cross sectional view along the line XII—XII of FIG. 7;

FIG. 13 is a front view of a female body of the buckle;

FIG. 14 is a top plan view thereof;

FIG. 15 is a bottom view thereof;

FIG. 16 is a right side view thereof;

FIG. 17 is a cross sectional view along the line XVII—XVII of FIG. 13;

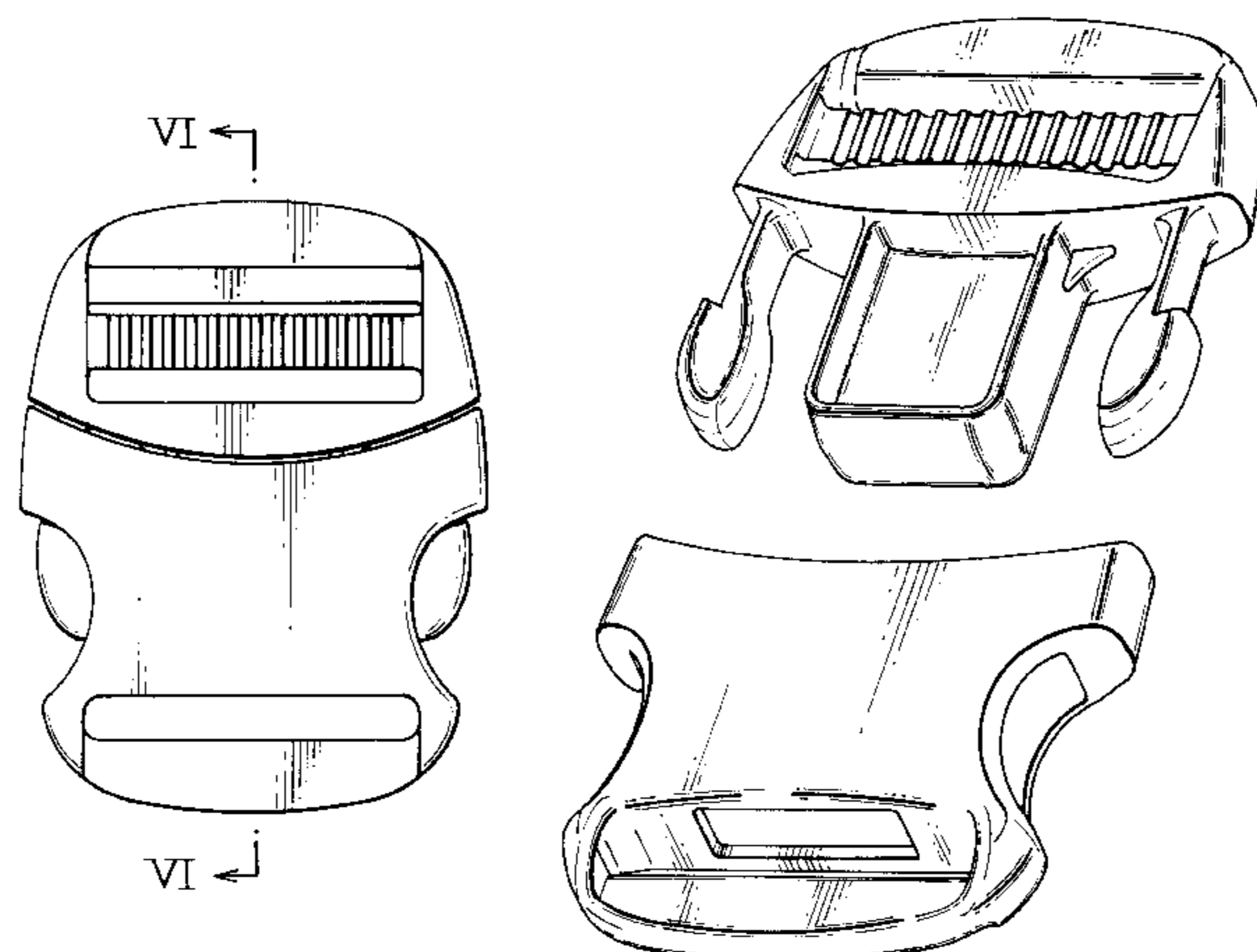
FIG. 18 is a cross sectional view along the line XVIII—XVIII of FIG. 16;

FIG. 19 is a perspective view of the male and female bodies of the buckle; and,

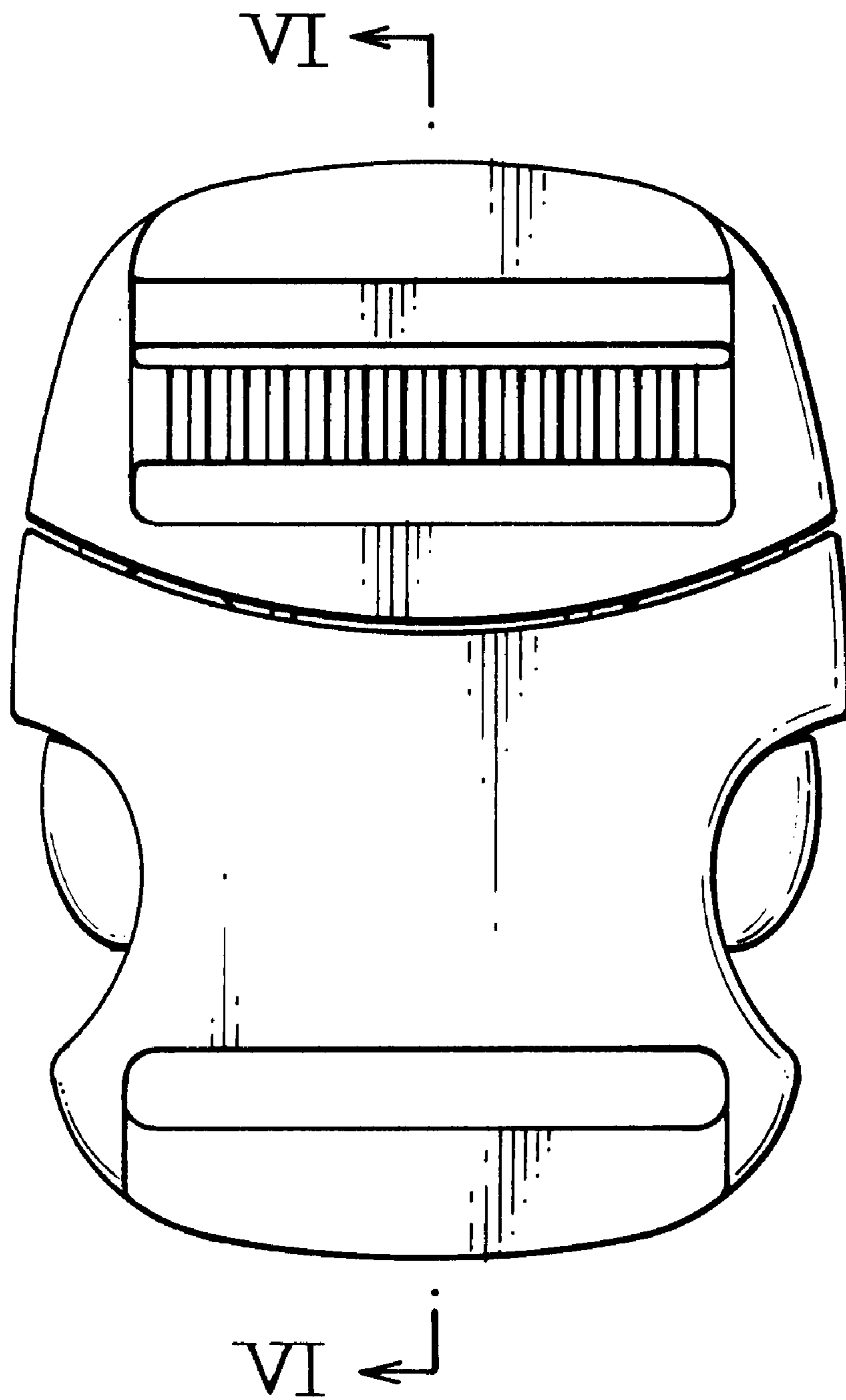
FIG. 20 is a perspective view of the buckle in coupled position.

Left side views of the buckle, and the male and female bodies are omitted because they are symmetrical with their right side views. Additionally, a rear view of the female body is omitted because it is the same as the front view thereof.

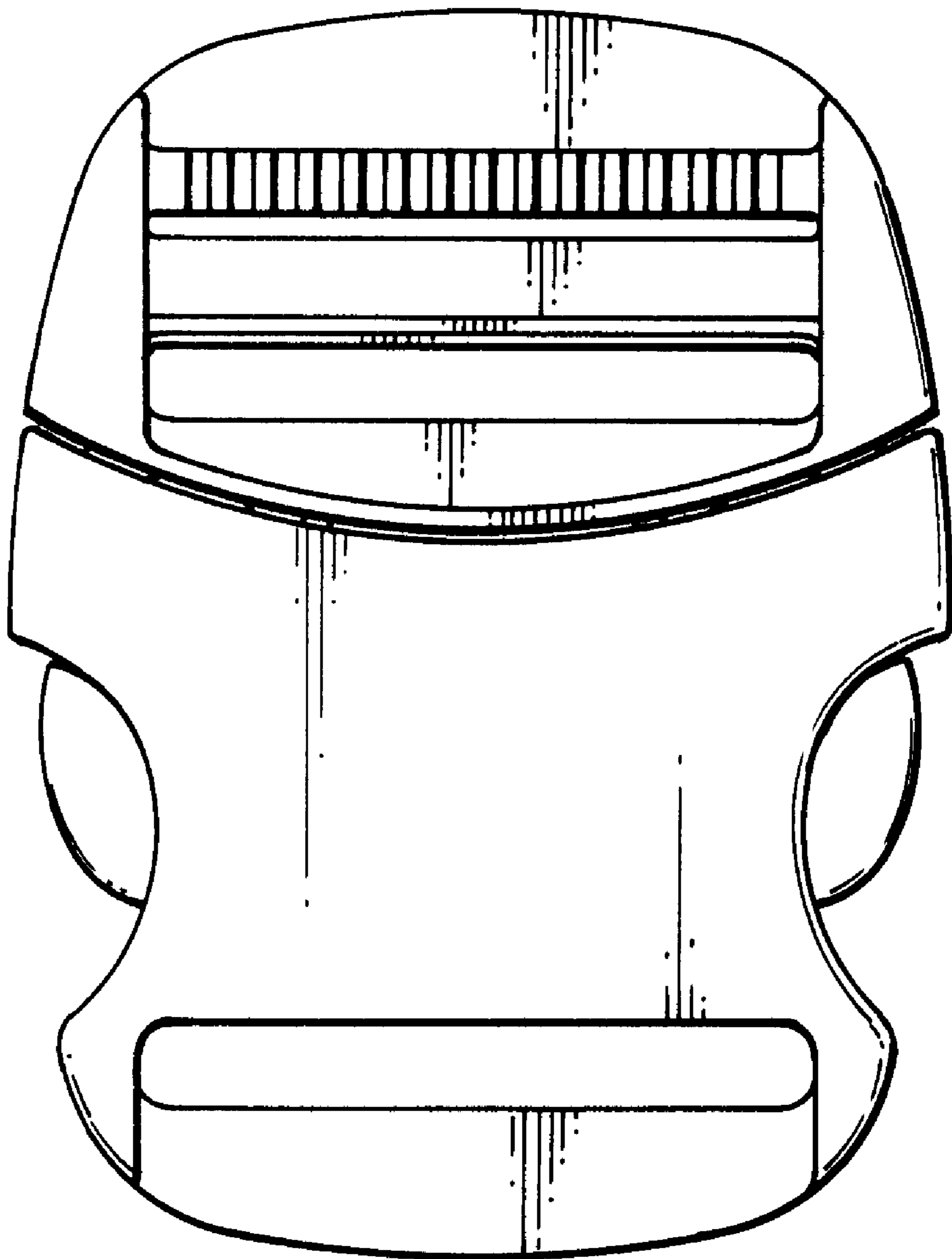
**1 Claim, 13 Drawing Sheets**



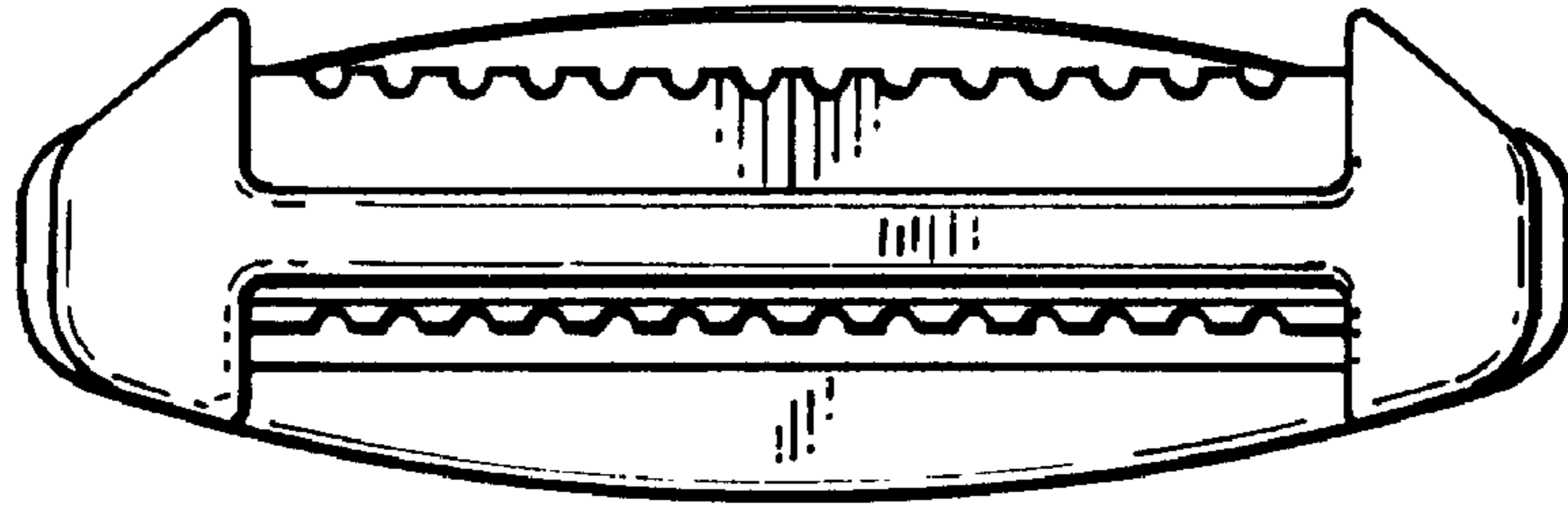
# FIG. 1



# FIG. 2



# FIG. 3



# FIG. 4

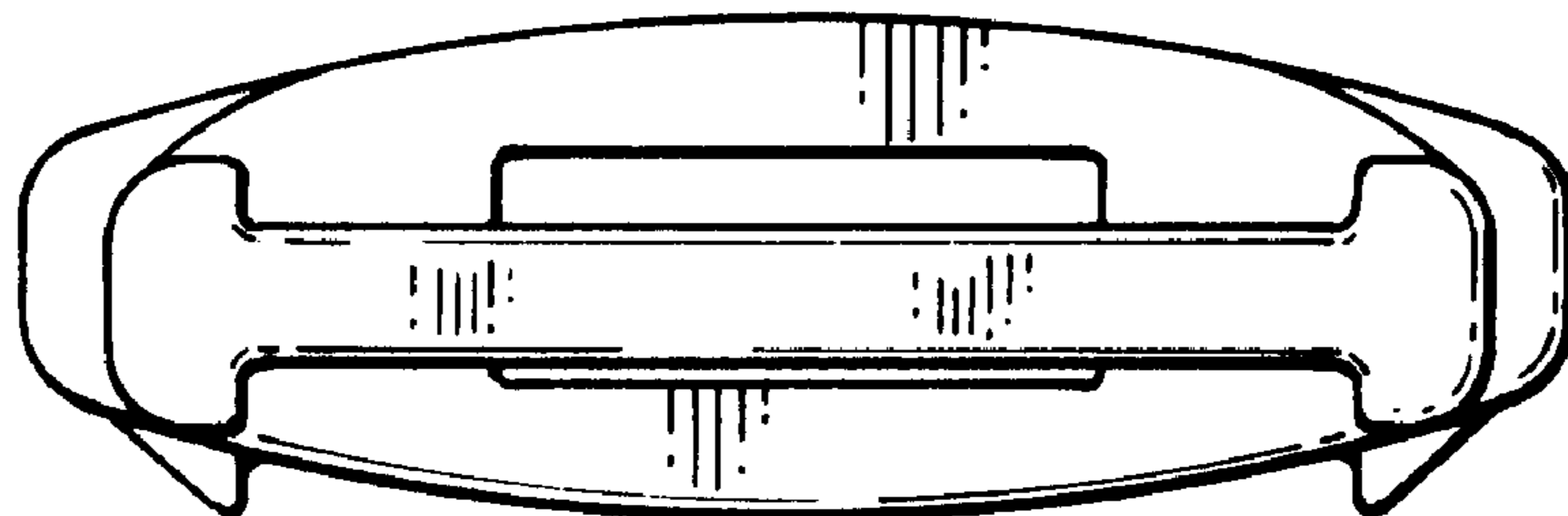


FIG. 5

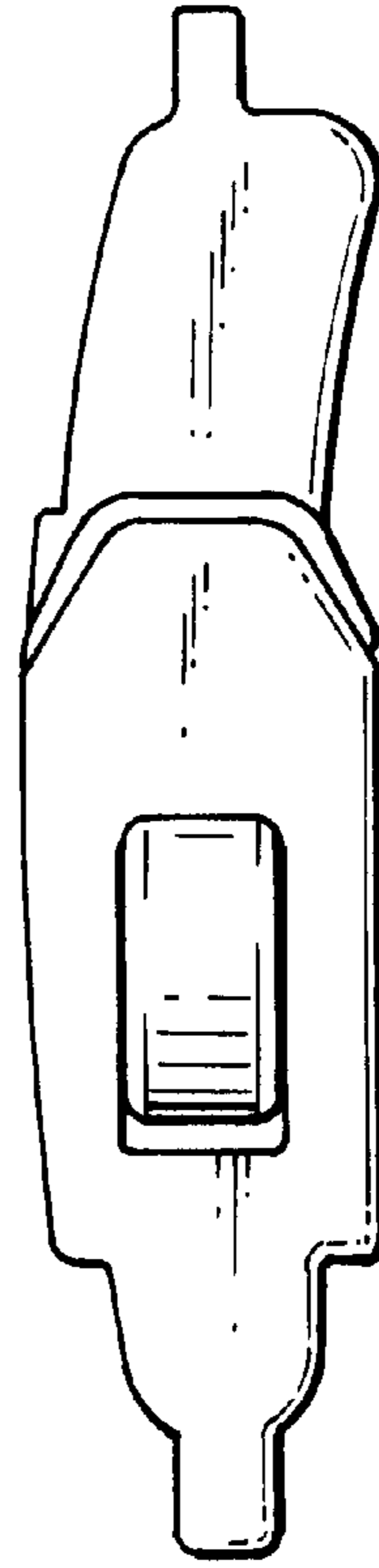


FIG. 6

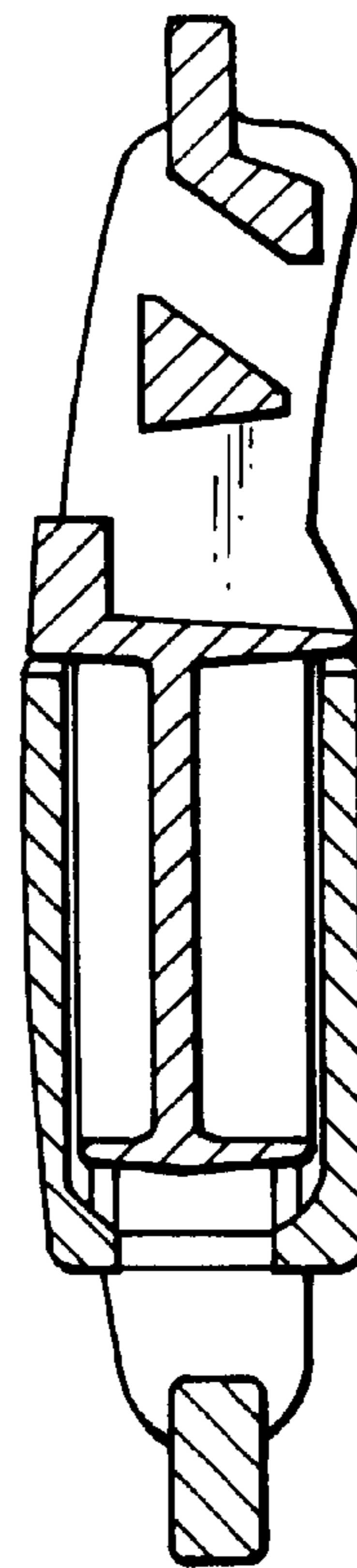
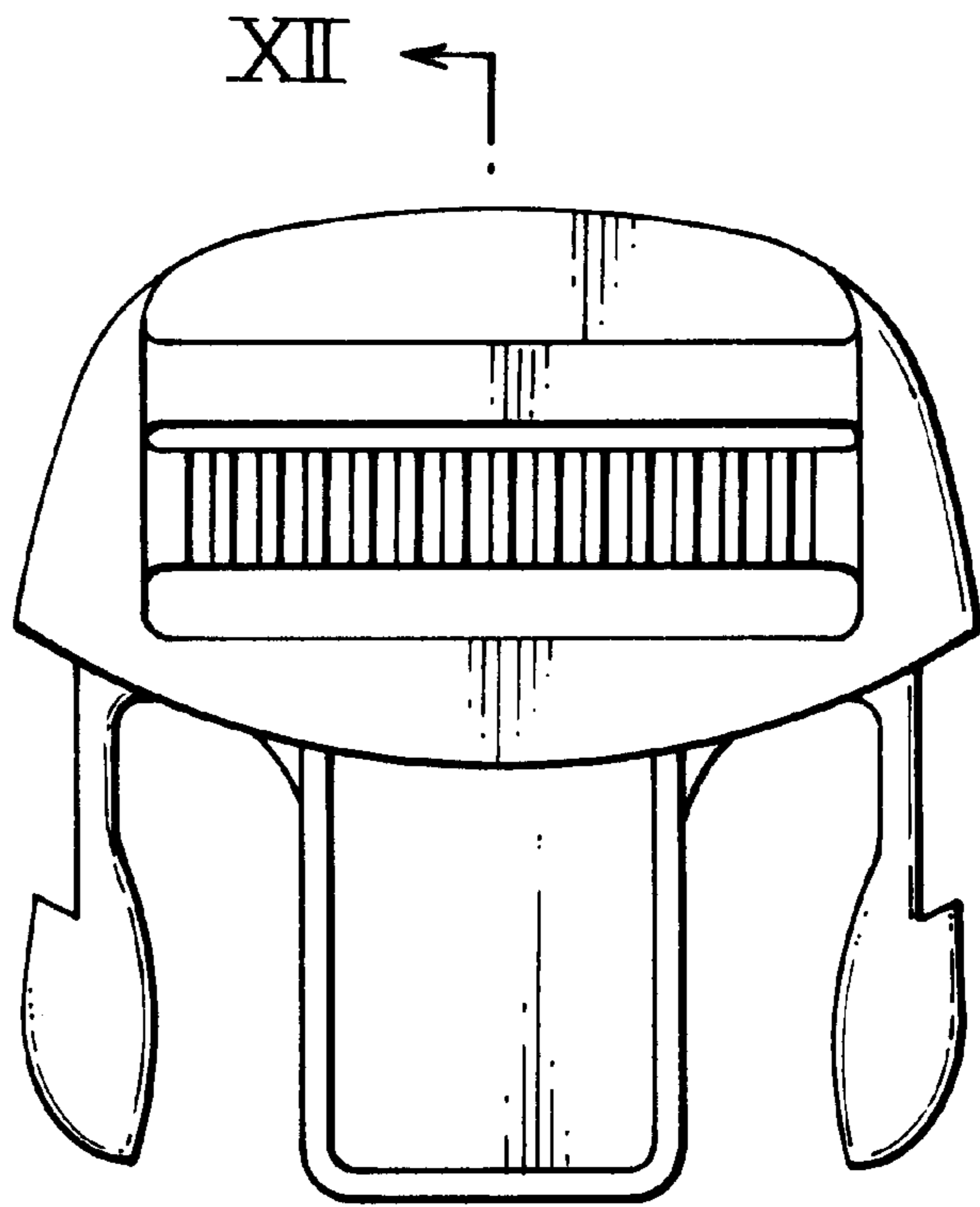


FIG. 7



XII ←

FIG. 8

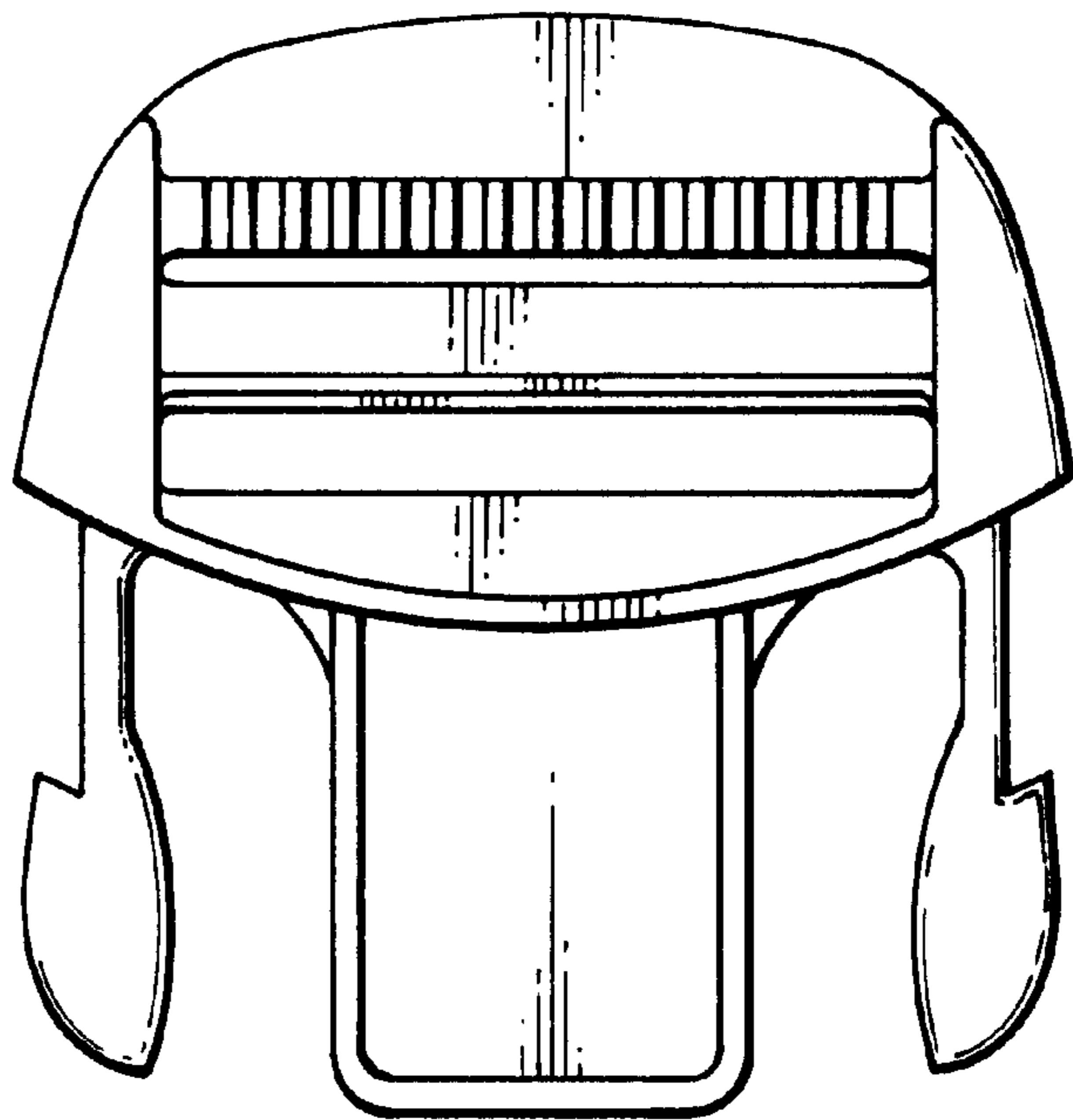


FIG. 9

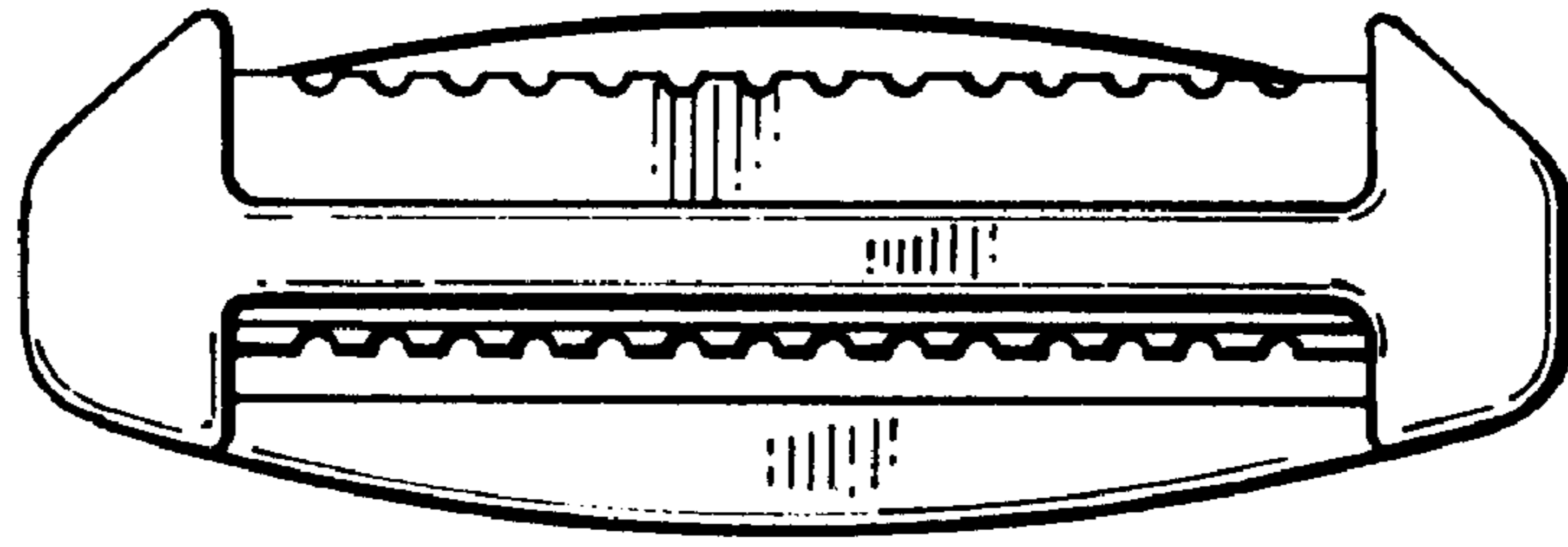


FIG. 10

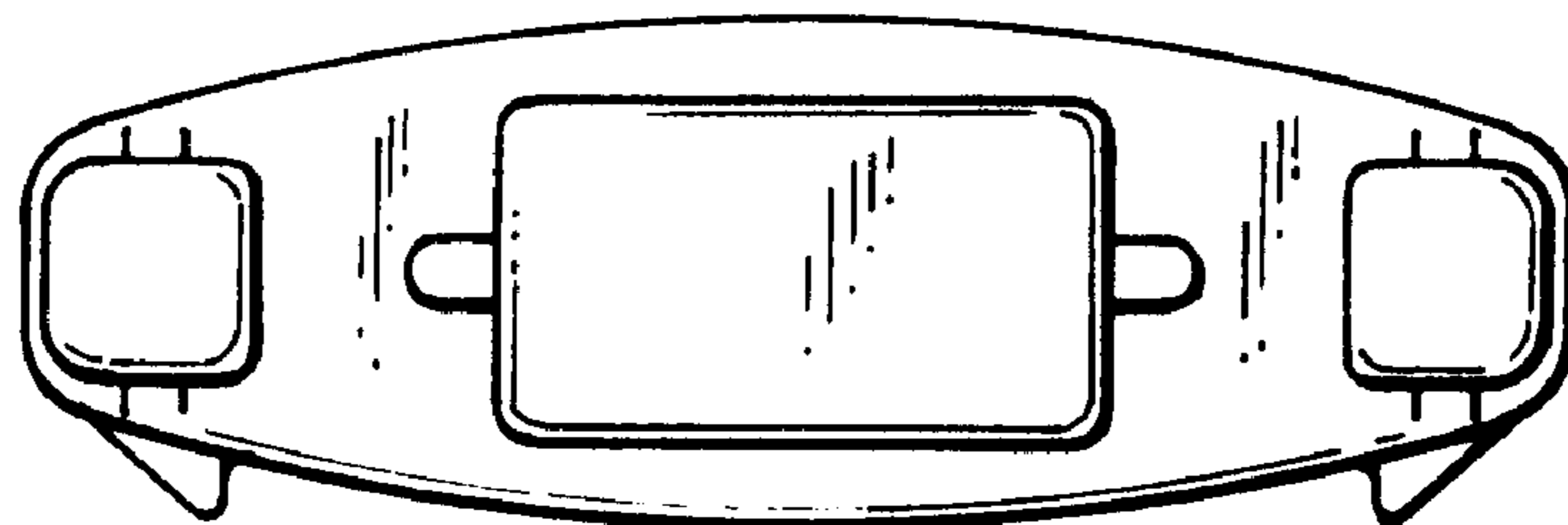




FIG. 11

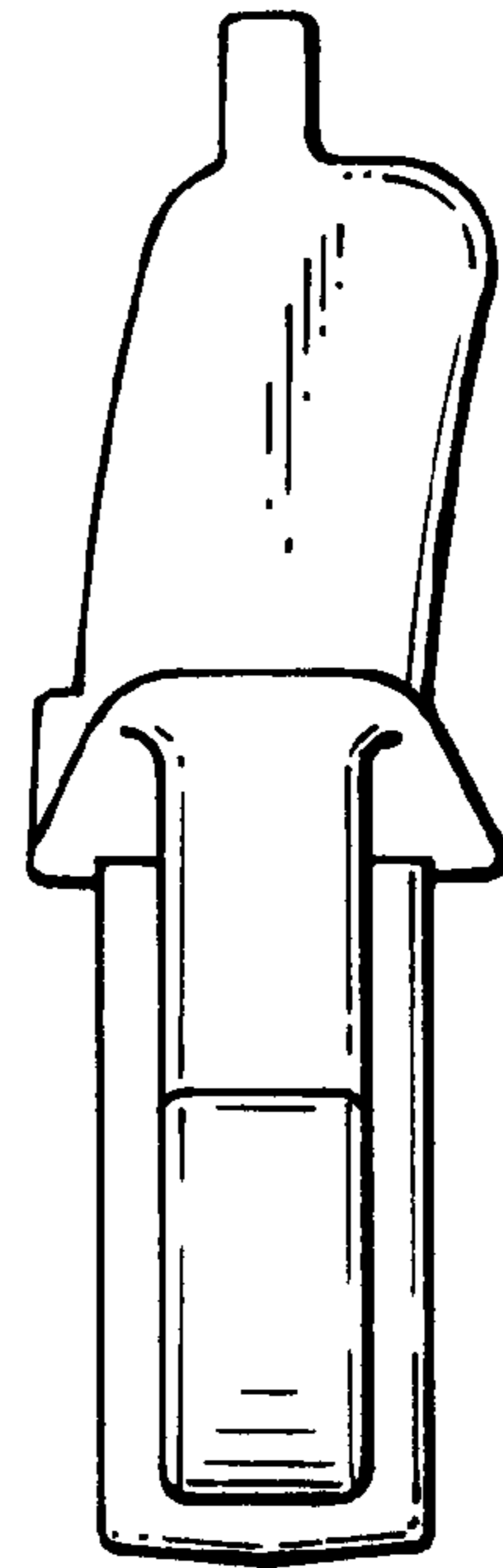
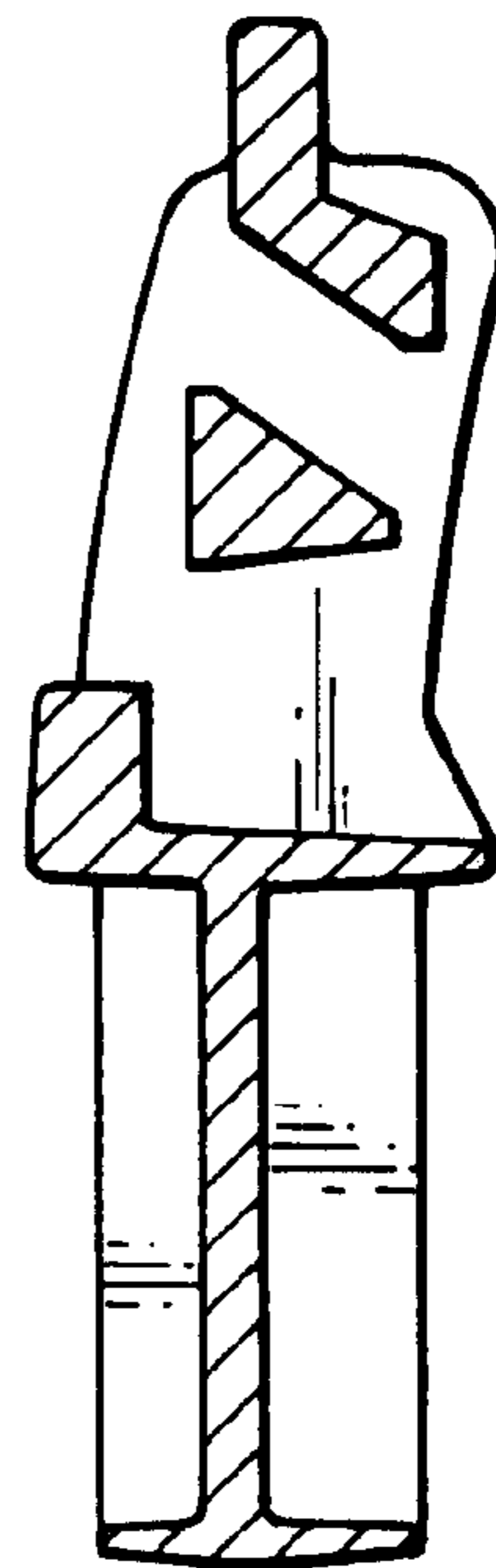


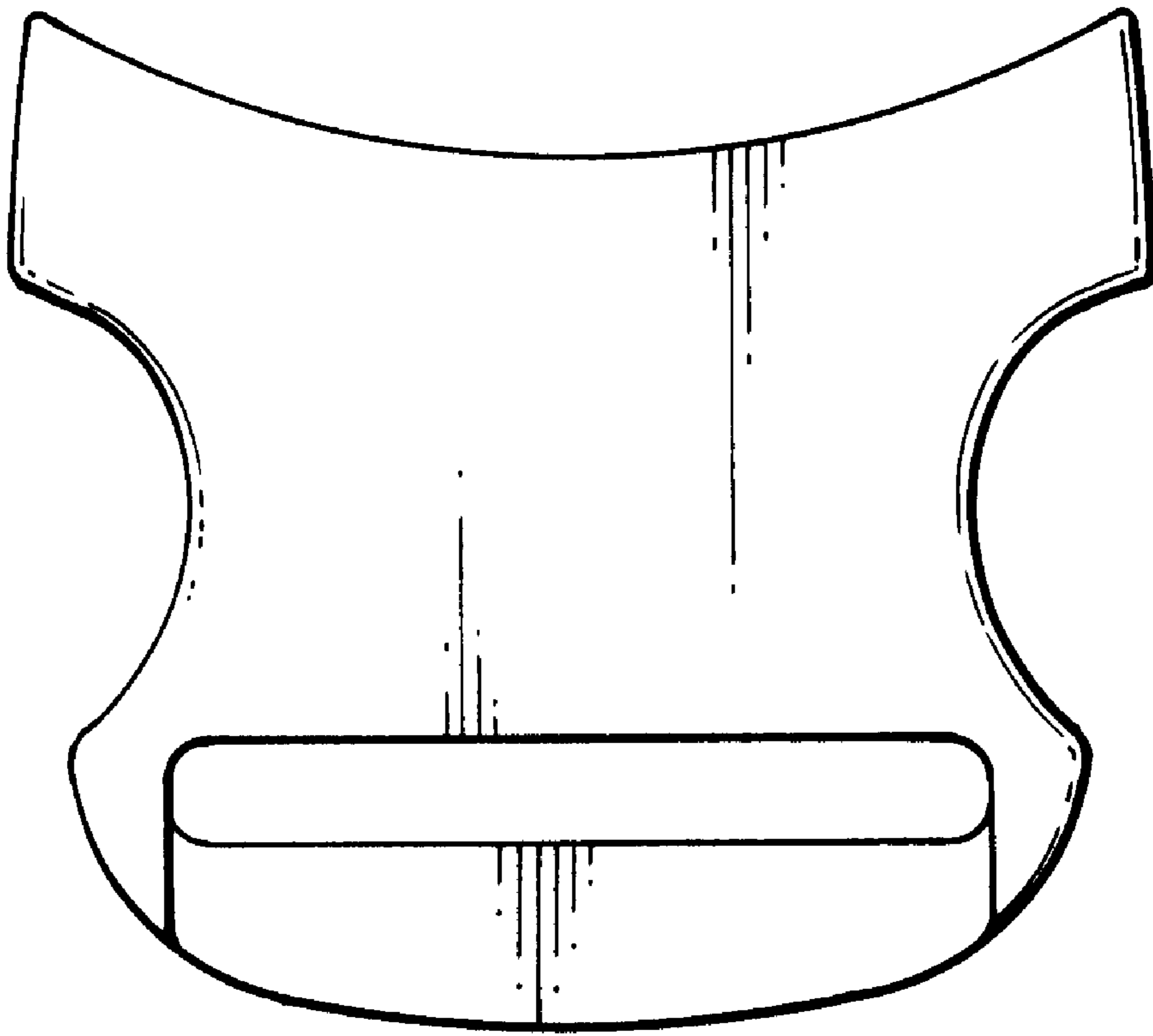
FIG. 12





# FIG. 13

XVII ←



XVII ←

FIG. 14

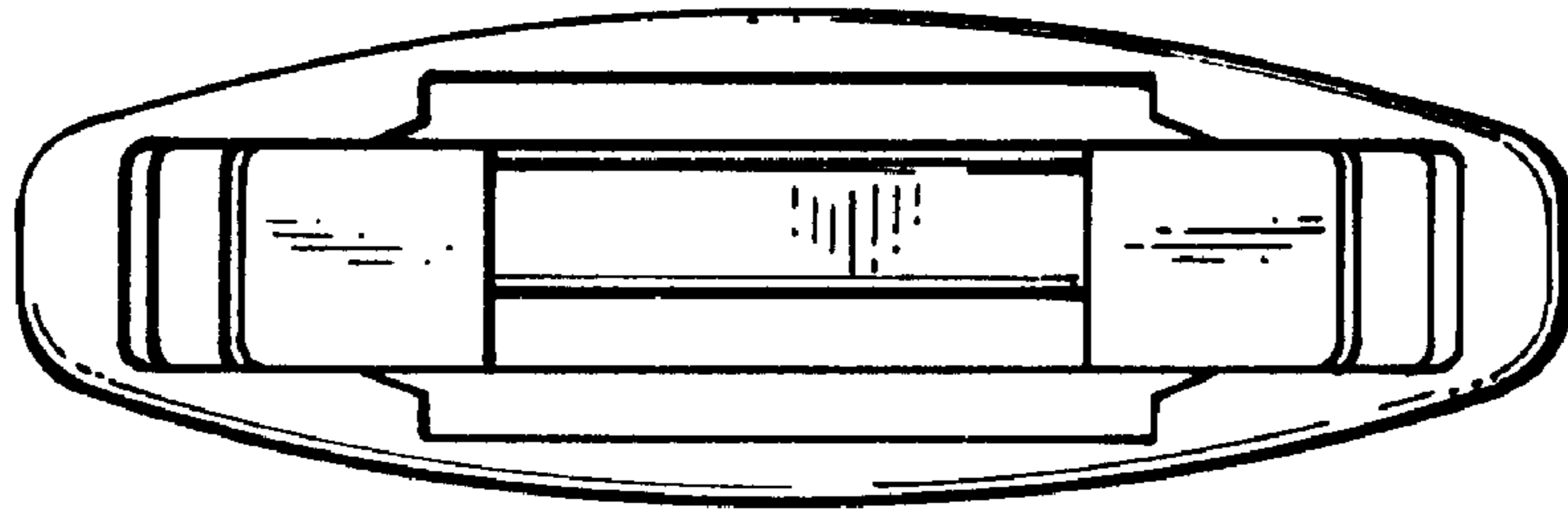


FIG. 15

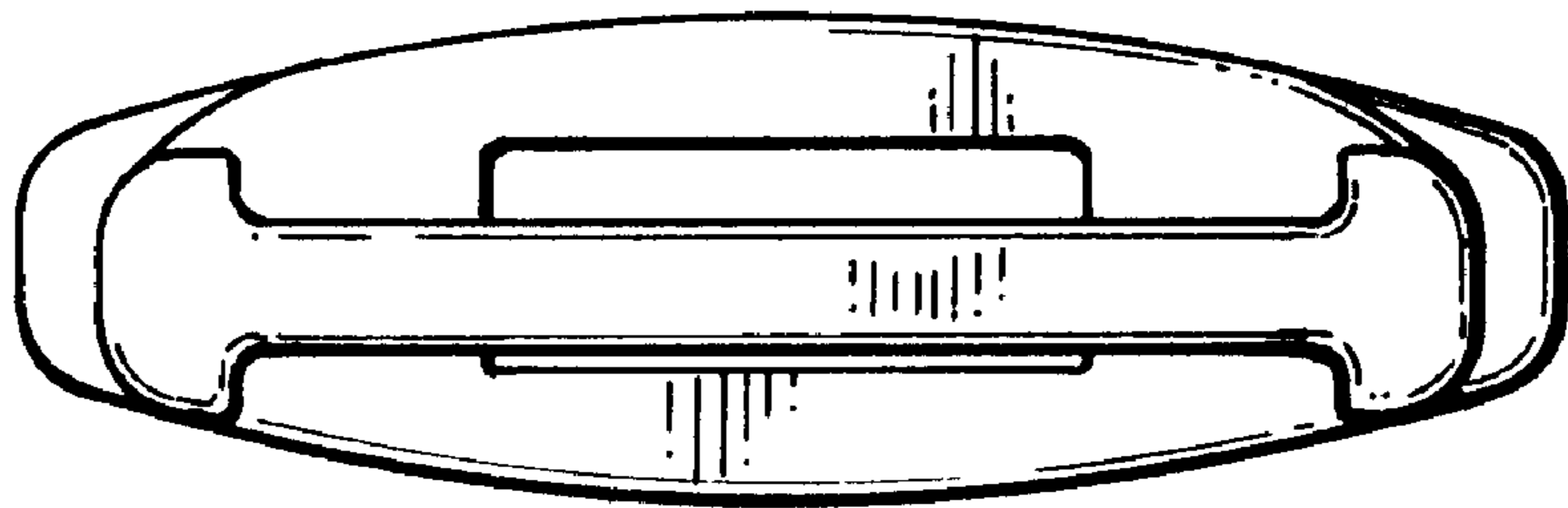


FIG. 16

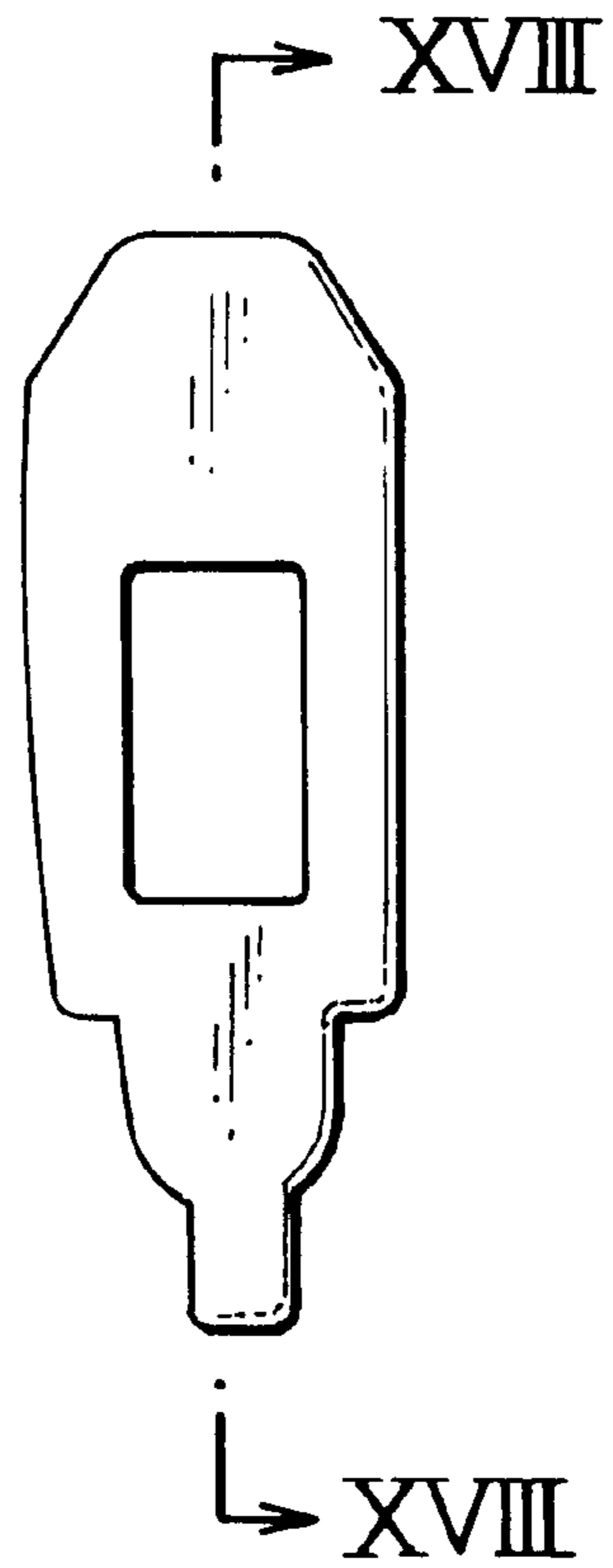
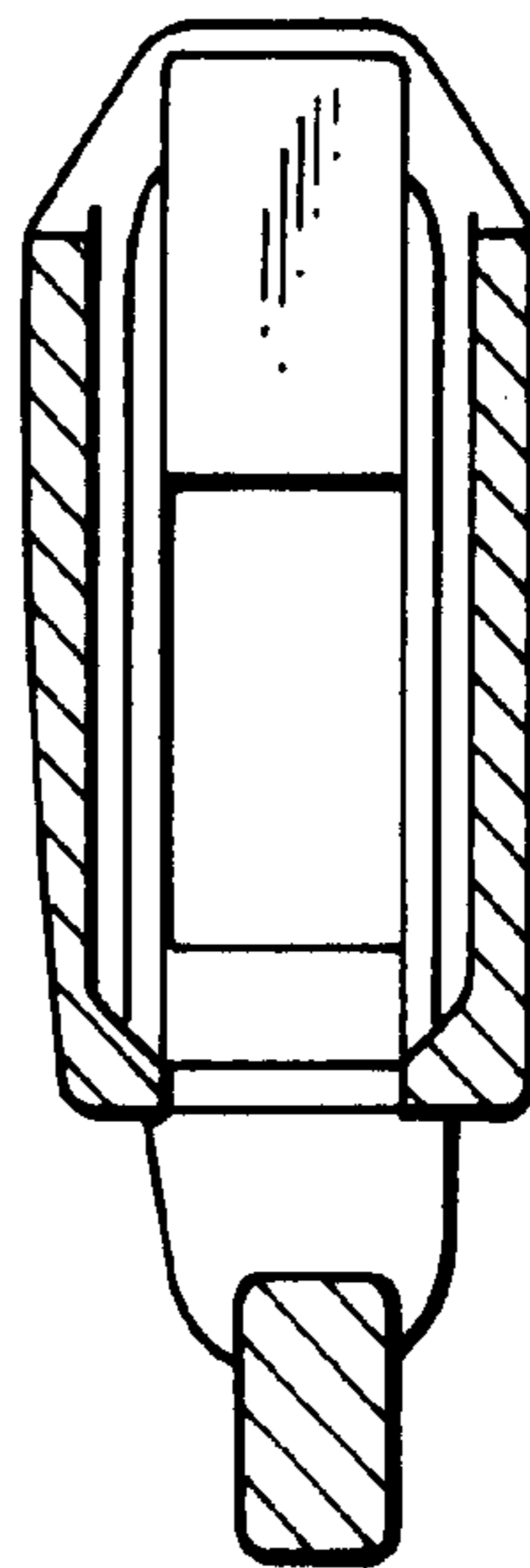
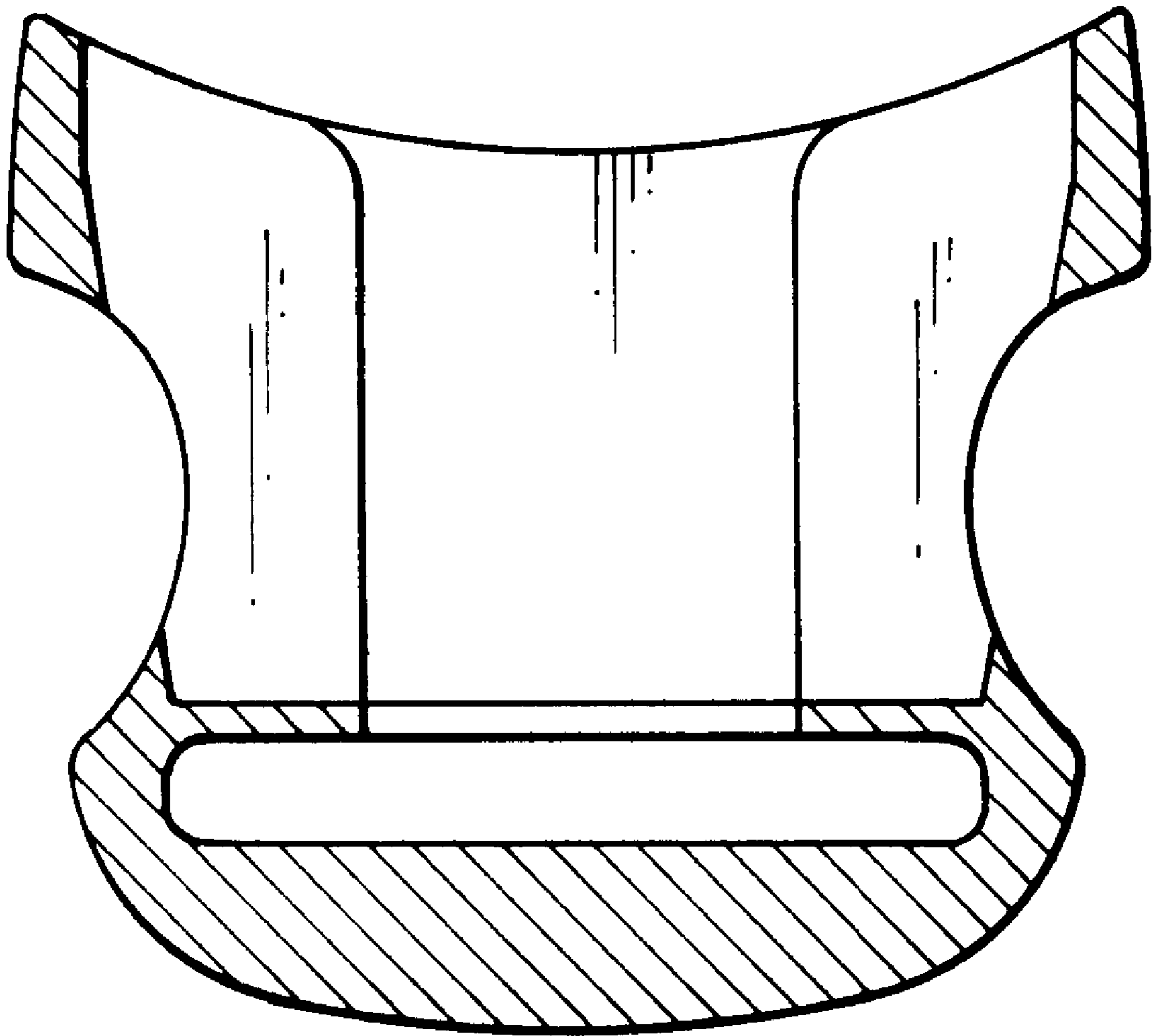


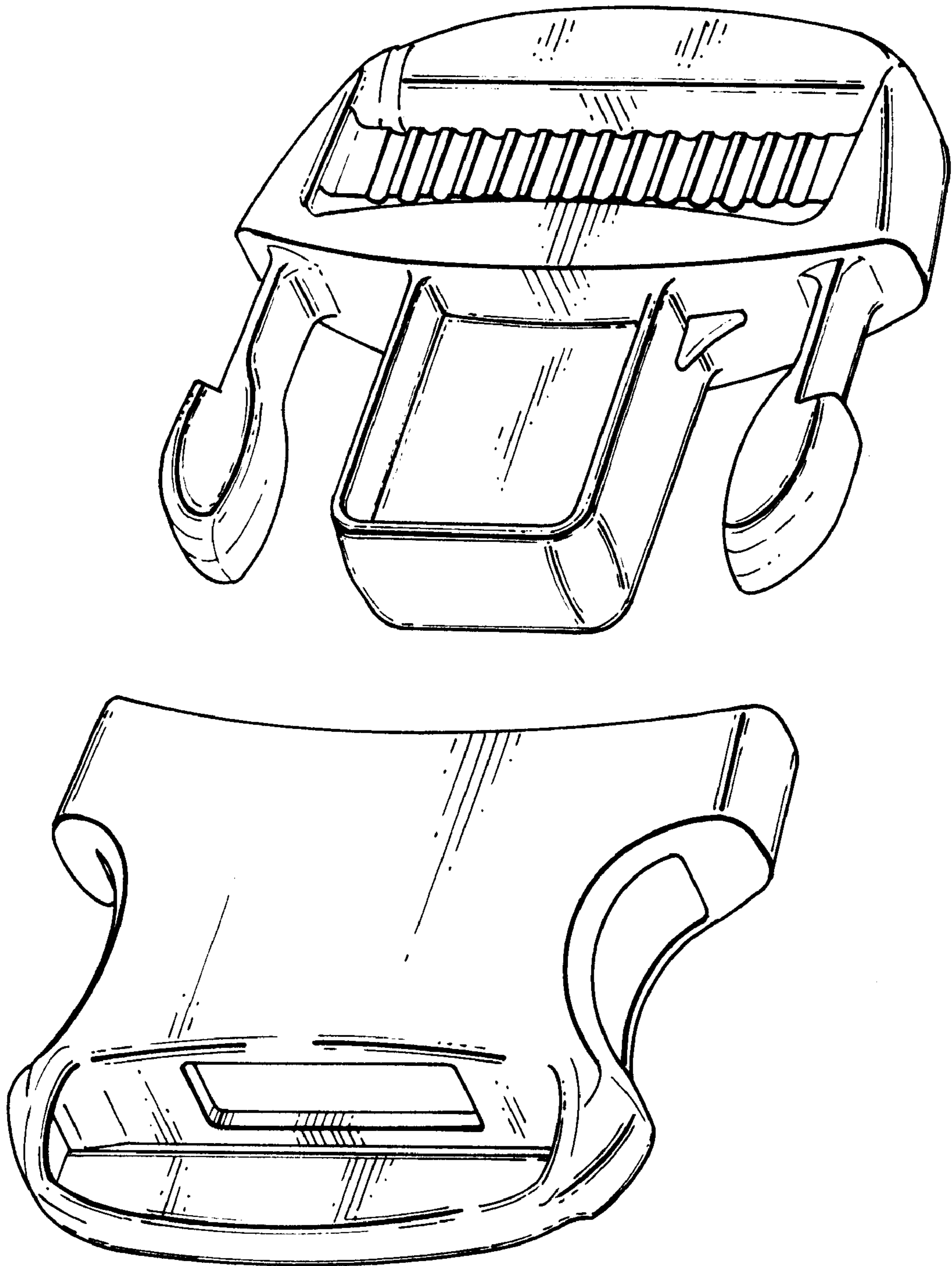
FIG. 17



# FIG. 18



# FIG. 19



# FIG. 20

