



US00D471129S

(12) **United States Design Patent**
Chia et al.

(10) **Patent No.: US D471,129 S**
(45) **Date of Patent: ** Mar. 4, 2003**

- (54) **JEWELRY COMPONENT**
- (76) Inventors: **Meang Chia**, 412 W. 6th St., Suite 1104, Los Angeles, CA (US) 90014; **Cheo Chia**, 412 W. 6th St., Suite 1104, Los Angeles, CA (US) 90014; **Huy Kim Chia**, 412 W. 6th St., Suite 1104, Los Angeles, CA (US) 90014
- (*) Notice: This patent is subject to a terminal disclaimer.
- (**) Term: **14 Years**
- (21) Appl. No.: **29/110,327**
- (22) Filed: **Sep. 3, 1999**

Related U.S. Application Data

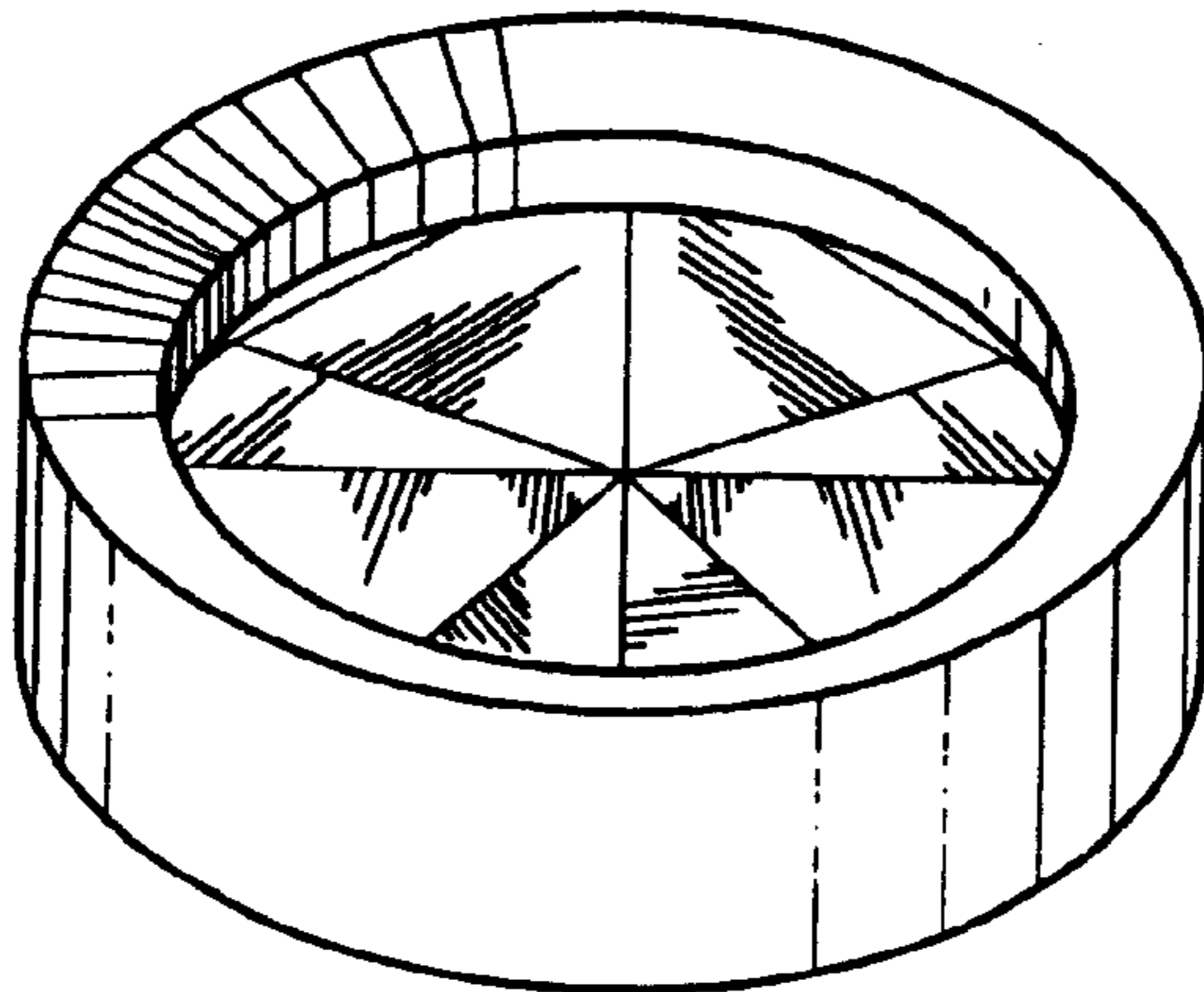
- (60) Continuation-in-part of application No. 29/098,058, filed on Dec. 21, 1998, now Pat. No. Des. 418,445, which is a division of application No. 29/070,204, filed on May 7, 1997, now Pat. No. Des. 406,247.
- (51) **LOC (7) Cl. 11-01**
- (52) **U.S. Cl. D11/93**
- (58) **Field of Search D11/1-26, 35,**
D11/40, 89-94, 54, 56, 76, 48; 63/32, 1.1,
2, 15, 27, 4; 59/80

(56) **References Cited**

U.S. PATENT DOCUMENTS

D12,579 S * 11/1881 Reynolds D11/40
D14,818 S * 2/1884 Merrill D11/91
439,139 A 10/1890 Gaynor
569,495 A 10/1896 Gunther
572,237 A 12/1896 Adams
D32,439 S 4/1900 Gay
D32,649 S 5/1900 McCutchen et al.
795,109 A 7/1905 Dover
813,084 A 2/1906 Dover
851,078 A 4/1907 Dunn
1,001,583 A 8/1911 Fairbrother
1,024,048 A 4/1912 Abel
D42,514 S 5/1912 Meyers

D42,643 S 6/1912 Meyers
1,153,362 A 9/1915 Wacha
D48,950 S 4/1916 Rosenberger
1,189,497 A 7/1916 Schwartzman
1,344,365 A 6/1920 Wachenheimer
D55,597 S 7/1920 Felger
D56,605 S 11/1920 Grasmuk
D56,607 S 11/1920 Grasmuk
1,410,366 A 3/1922 Buchman
1,433,521 A 10/1922 Albanese
1,443,654 A 1/1923 Schmidt
1,467,468 A 9/1923 Blanchard
1,556,465 A 10/1925 Wendel
1,570,776 A 1/1926 Peters
1,570,932 A 1/1926 Anderson et al.
1,589,423 A 6/1926 Payton
D70,779 S 8/1926 Speidel
D76,664 S 10/1928 Chase
D77,434 S 1/1929 Rice
1,701,610 A 2/1929 Forstner
1,710,660 A 4/1929 Guyot
D84,213 S 5/1931 Speidel
1,842,427 A 1/1932 Sammartino
1,854,958 A 4/1932 Santosuosso
1,892,738 A 1/1933 Schnarr
1,981,696 A 11/1934 Harper 41/10
D110,568 S 7/1938 Garfinkel
D117,577 S 11/1939 Sand
D119,286 S 3/1940 Somers
2,273,227 A 2/1942 Simmons 63/26
D131,750 S 3/1942 Hobe
D131,847 S 3/1942 Hobe
D143,583 S 1/1946 Feingold D3/4
D143,588 S 1/1946 Grun D45/4
D143,750 S 2/1946 Philippe D45/9
D144,901 S 6/1946 Braunstein D45/4
D145,426 S 8/1946 Braunstein D45/4
D146,779 S 5/1947 Slater D45/4
D151,904 S 11/1948 Katz D45/4
D155,873 S 11/1949 Chernow D45/16
D156,650 S 12/1949 Pearce et al. D45/4
D156,744 S 1/1950 Kent D42/8
D159,528 S 8/1950 Philippe D45/19
D159,582 S 8/1950 Boucher
D160,241 S 9/1950 Bardach D45/16
2,526,134 A 10/1950 Henry 63/32
2,538,090 A 1/1951 Ferragamo 63/4
D165,468 S 12/1951 Katz D45/19
2,584,207 A 2/1952 Holl 63/27



US D471,129 S

Page 2

2,634,593 A	4/1953	Moretti	63/4
D176,664 S	1/1956	Katz	D45/16
2,775,093 A	12/1956	Kundert	59/80
2,852,923 A	9/1958	Gamelsky	63/20
D184,930 S	4/1959	Gonicberg	D45/4
D186,903 S	12/1959	Hess	D45/4
3,025,820 A	3/1962	Rosenthal	113/116
D202,723 S	11/1965	Gaston	D45/4
3,483,716 A	12/1969	Stenzler	63/15
D217,880 S	6/1970	Cowan	D11/1
3,670,524 A	6/1972	Korwin	63/18
4,154,282 A	5/1979	Kull	164/9
4,165,574 A	8/1979	Sciotti	40/21 R
D257,017 S	9/1980	Barr	D11/16
D265,639 S	8/1982	Barr	D11/17
D266,954 S	11/1982	Gordan	D26/24
4,399,910 A	8/1983	Gutentag	206/0.82
4,488,415 A	12/1984	Jenkins	63/29 R
D277,466 S	2/1985	Chien	D11/41
4,551,993 A	11/1985	Nagahori	63/31
4,566,294 A	1/1986	Brzozowski	63/15
4,763,489 A	8/1988	Strong	63/4
4,781,038 A	11/1988	Branca et al.	63/26
D314,528 S	2/1991	Chia et al.	D11/93
D314,730 S	2/1991	Chia et al.	D11/93
D314,929 S	2/1991	Chia et al.	
D317,139 S	* 5/1991	Chia et al.	D11/93
D317,423 S	6/1991	Chia et al.	D11/93
D319,033 S	8/1991	Chia et al.	
5,056,337 A	10/1991	Nhaissi	63/26
D322,043 S	12/1991	Chia et al.	D11/93
D325,180 S	4/1992	Chia et al.	D11/93
D325,709 S	* 4/1992	Chia et al.	D11/93
D325,710 S	4/1992	Chia et al.	D11/93
D325,711 S	4/1992	Chia et al.	D11/93
D325,886 S	5/1992	Chia et al.	D11/93
D329,026 S	9/1992	Chia et al.	D11/93
D329,206 S	9/1992	Chia et al.	D11/93
D329,401 S	9/1992	Chia et al.	
D331,726 S	12/1992	Chia et al.	
D335,639 S	* 5/1993	Chia et al.	D11/93
D336,057 S	6/1993	Chia et al.	D11/93
D336,059 S	6/1993	Chia et al.	D11/93
D336,060 S	6/1993	Chia et al.	D11/93
D337,069 S	7/1993	Chia et al.	D11/93
D337,070 S	7/1993	Chia et al.	
D337,283 S	7/1993	Keshishian	D11/93
D337,546 S	7/1993	Keshishian	D11/93
D337,547 S	7/1993	Keshishian	D11/93
D338,852 S	8/1993	Keshishian	D11/93
5,355,698 A	10/1994	Edmark	63/29.1
5,365,754 A	11/1994	Nalbandian	63/26
D379,074 S	5/1997	Udsko	D11/91
D388,016 S	12/1997	Kejejian	D11/91
5,694,791 A	12/1997	Esposito	63/3
5,806,345 A	9/1998	Bonchek	63/15.05
D406,247 S	* 3/1999	Chia et al.	D11/93
5,992,177 A	11/1999	Beard	63/29.1
D418,445 S	1/2000	Chia et al.	D11/93
D418,446 S	* 1/2000	Chia et al.	D11/93
D423,981 S	5/2000	Chia et al.	D11/93
6,116,054 A	9/2000	Czupor	63/26

FOREIGN PATENT DOCUMENTS

CH	238894	8/1945	
EP	0 063 751 A1	11/1982 A44C/3/00
FR	608150	7/1926 17/5
FR	709603	8/1931 17/5
FR	1 319 354	5/1963	
GB	1 077 460	7/1967	
GB	1 200 257	7/1970	

GB	2 070 344 A	9/1981	
GB	2 077 441 A	12/1981	
WO	00/38551	7/2000 A44C/17/02

OTHER PUBLICATIONS

Maty, Collection Automne—Hiver 97-98, Valeur 30F, No. 76.

“Rio Grande: Gems & Findings”, Gold earrings: 14K yellow back-set French wire earrings Die Struck, Item “M”, p. 90.

“Charms” catalog, p. 136, Item #136-20, by Americas GOLD, 650 South Hill St., Los Angeles, CA 90014.

“Liberty Collections” catalog, pp. 4 and 21, by Liberty I. Exchange, 333 Washington St., #203-1, Boston, MA 02108.

“Diamond Flower” jewelry by S & R Designs, Inc., Marlton NJ.

Items #P10529, #84622, National Jeweler, May 16, 1997.

Janet Alix necklace, Jewelers’ Circular Keystone, May 1997.

Catalog Item #4D, Skalet Gold, 3600 N. Talman Ave., Chicago, IL 60618.

Caroline Ballou Collection, June Las Vegas Show, K25-K27, and Barnett Robinson, Inc., June Las Vegas Show, Galleria #10.

Item N362, P.Q.C. Jewelry, National Jeweler, June 1, 1998, p. 142.

“Love Tears” collection, by Studs, Inc., 42 West 48th Street, New York, NY 10036.

Slide Pendent, by Superior Diamond Cutters Inc., 589 Fifth Ave., New York, NY 10017.

Uni-Creation Inc., Emby International Inc. collection, 589 Fifth Ave., New York, NY 10017.

A Promotional Supplement to JCK, May 1997, pp. 178-179.

Item SS424, Corona Jewelry Company, 16 Ripley Ave., Toronto, Ontario, M6S 3N9, Canada.

“Bezel-set Jewelry,” California Gold Center, 606 South Hill Street, Los Angeles, CA 90014.

“Partners” fashion jewelry, Cache fashion watches, Mervyn’s California catalog flyer, 1998, p. 11.

Robinson’s May, Earrings, Item No. 290131409, Purchased Apr. 18, 1999.

A&A Jewelry Tools & Findings Catalog, p. G92.

The Gold Book, Oro America, Item Nos. HE.142 (A) 2.37gr. (89), HE.141 (A) 2.37gr. (89), HE.143 (A) 2.89gr.(108), p. 18 (1996).

The Multi-Color Gold Jewelry Book, Oro America, p. 1, Earring Items; ETR.014; ETR.022; ETLB.001.

Crafford Precision Products Co. Catalog “Laser Spot-Welding Systems,” One Industrial Court, Riverside, RI 02915.

Gervais, J. “A Little Light Welding”, *AJM*, May 1998.

Fancy Catalog, Item Nos. 11111, 11112, 11114, p. 111.

Jaha Jewelry, Inc., Item Nos. J2-1, J3-15, J6-9, J6-13, J6-16, J10-1, J10-2, J13-19 (640 S. Hill St., #748, Los Angeles, CA 90014).

All Karats International; Edizioni, Primavera-Estate/Spring-Summer, Sixth Edition; “Diamond Necklace”; 2 pages including cover (1998).

Variety Gem Co., Inc.; *JCK Catalog* 05-97; Items N5526, N5520A, N5520B; one page (May 1997).

Wards, Gold Hoop (Earring) with Diamond Cut Ovals, Item #459312000; 4 pages.

* cited by examiner

Primary Examiner—Ralf Seifert
(74) Attorney, Agent, or Firm—Ladas & Parry

(57)

CLAIM

The ornamental design for a jewelry component, as shown and described.

DESCRIPTION

FIG. 1 is a perspective view of a first embodiment of a jewelry component showing our new design;

FIG. 2 is a top plan view of the first embodiment;

FIG. 3 is an enlarged partial cross sectional view taken along the line 3—3 in FIGS. 2, 6, and 8, presented to show only the feature of the sloping top;

FIG. 4 is a front elevational view of the first, second, and third embodiments, the left, right, and rear elevational views being the same;

FIG. 5 is a perspective view of a second embodiment of a jewelry component showing our new design;

FIG. 6 is a top plan view of the second embodiment;

FIG. 7 is a perspective view of a third embodiment of a jewelry component showing our new design;

FIG. 8 is a top plan view of the third embodiment;

FIG. 9 is a perspective view of a fourth embodiment of a jewelry component showing our new design;

FIG. 10 is a top plan view of the fourth embodiment;

FIG. 11 is a side elevational view of the fourth, fifth, and sixth embodiments, the opposite view being a mirror image;

FIG. 12 is a perspective view of a fifth embodiment of a jewelry component showing our new design;

FIG. 13 is a top plan view of the fifth embodiment;

FIG. 14 is a perspective view of a sixth embodiment of a jewelry component showing our new design;

FIG. 15 is a top plan view of the sixth embodiment;

FIG. 16 is a perspective view of a seventh embodiment of a jewelry component showing our new design;

FIG. 17 is a top plan view of the seventh embodiment;

FIG. 18 is an enlarged partial cross sectional view taken along the line 18—18 in FIGS. 17, 21, and 23, presented to show only the feature of the sloping top;

FIG. 19 is a front elevational view of the seventh, eighth, and ninth embodiments, the left, right, and rear elevational views being the same;

FIG. 20 is a perspective view of a eighth embodiment of a jewelry component showing our new design;

FIG. 21 is a top plan view of the eighth embodiment;

FIG. 22 is a perspective view of a ninth embodiment of a jewelry component showing our new design;

FIG. 23 is a top plan view of the ninth embodiment;

FIG. 24 is a perspective view of a tenth embodiment of a jewelry component showing our new design;

FIG. 25 is a top plan view of the tenth embodiment;

FIG. 26 is an enlarged partial cross sectional view taken along the line 26—26 in FIGS. 25, 30, and 32, presented to show only the feature of the sloping top;

FIG. 27 is a front elevational view of the tenth, eleventh, and twelfth embodiments, the opposite view being a mirror image;

FIG. 28 is a left side elevational view of the tenth, eleventh, and twelfth embodiments, the opposite view being a mirror image;

FIG. 29 is a perspective view of a eleventh embodiment of a jewelry component showing our new design;

FIG. 30 is a top plan view of the eleventh embodiment;

FIG. 31 is a perspective view of a twelfth embodiment of a jewelry component showing our new design;

FIG. 32 is a top plan view of the twelfth embodiment;

FIG. 33 is a perspective view of a thirteenth embodiment of a jewelry component showing our new design;

FIG. 34 is a top plan view of the thirteenth embodiment;

FIG. 35 is an enlarged partial cross sectional view taken along the line 35—35 in FIGS. 34, 39, and 41, presented to show only the feature of the sloping top;

FIG. 36 is a front elevational view of the thirteenth, fourteenth, and fifteenth embodiments, the opposite view being a mirror image;

FIG. 37 is a left side elevational view of the thirteenth, fourteenth, and fifteenth embodiments, the opposite view being a mirror image;

FIG. 38 is a perspective view of a fourteenth embodiment of a jewelry component showing our new design;

FIG. 39 is a top plan view of the fourteenth embodiment;

FIG. 40 is a perspective view of a fifteenth embodiment of a jewelry component showing our new design;

FIG. 41 is a top plan view of the fifteenth embodiment;

FIG. 42 is a perspective view of a sixteenth embodiment of a jewelry component showing our new design;

FIG. 43 is a top plan view of the sixteenth embodiment;

FIG. 44 is a front elevational view of the sixteenth, seventh, and eighteenth embodiments, the left, right, and rear views being the same;

FIG. 45 is a perspective view of a seventeenth embodiment of a jewelry component showing our new design;

FIG. 46 is a top plan view of the seventeenth embodiment;

FIG. 47 is a perspective view of a eighteenth embodiment of a jewelry component showing our new design;

FIG. 48 is a top plan view of the eighteenth embodiment;

FIG. 49 is a perspective view of a nineteenth embodiment of a jewelry component showing our new design;

FIG. 50 is a top plan view of the nineteenth embodiment;

FIG. 51 is a front elevational view of the nineteenth, twentieth, and twenty-first embodiments, the opposite view being a mirror image;

FIG. 52 is a left side elevational view of the nineteenth, twentieth, and twenty-first embodiments, the opposite view being a mirror image;

FIG. 53 is a perspective view of a twentieth embodiment of a jewelry component showing our new design;

FIG. 54 is a top plan view of the twentieth embodiment;

FIG. 55 is a perspective view of a twenty-first embodiment of a jewelry component showing our new design;

FIG. 56 is a top plan view of the twenty-first embodiment;

FIG. 57 is a perspective view of a twenty-second embodiment of a jewelry component showing our new design;

FIG. 58 is a top plan view of the twenty-second embodiment;

FIG. 59 is a front elevational view of the twenty-second, twenty-third, and twenty-fourth embodiments, the left, right, and rear views being the same;

FIG. 60 is a perspective view of a twenty-third embodiment of a jewelry component showing our new design;

FIG. 61 is a top plan view of the twenty-third embodiment;

FIG. 62 is a perspective view of a twenty-fourth embodiment of a jewelry component showing our new design;

FIG. 63 is a top plan view of the twenty-fourth embodiment; FIG. 64 is a perspective view of a twenty-fifth embodiment of a jewelry component showing our new design; FIG. 65 is a top plan view of the twenty-fifth embodiment; FIG. 66 is a front elevational view of the twenty-fifth, twenty-sixth, and twenty-seventh embodiments, the opposite view being a mirror image; FIG. 67 is a left side elevational view of the twenty-fifth, twenty-sixth, and twenty-seventh embodiments, the opposite view being a mirror image; FIG. 68 is a perspective view of a twenty-sixth embodiment of a jewelry component showing our new design; FIG. 69 is a top plan view of the twenty-sixth embodiment; FIG. 70 is a perspective view of a twenty-seventh embodiment of a jewelry component showing our new design; FIG. 71 is a top plan view of the twenty-seventh embodiment; FIG. 72 is a perspective view of a twenty-eighth embodiment of a jewelry component showing our new design; FIG. 73 is a top plan view of the twenty-eighth embodiment; FIG. 74 is a front elevational view of the twenty-eighth, twenty-ninth, and thirtieth embodiments, the opposite view being a mirror image; FIG. 75 is a left side elevational view of the twenty-eighth, twenty-ninth, and thirtieth embodiments, the opposite view being a mirror image; FIG. 76 is a perspective view of a twenty-ninth embodiment of a jewelry component showing our new design; FIG. 77 is a top plan view of the twenty-ninth embodiment; FIG. 78 is a perspective view of a thirtieth embodiment of a jewelry component showing our new design; FIG. 79 is a top plan view of the thirtieth embodiment; FIG. 80 is a perspective view of a thirty-first embodiment of a jewelry component showing our new design, the broken line showing of the bottom portion of the jewelry component being for illustrative purposes only and forms no part of the claimed design; FIG. 81 is a top plan view of the thirty-first embodiment; FIG. 82 is a side elevational view of the thirty-first embodiment, the opposite view being a mirror image, the broken line showing of the bottom portion of the jewelry component being for illustrative purposes only and forms no part of the claimed design; FIG. 83 is a cross sectional view taken along the line 83—83 in FIG. 81, the broken line showing of the bottom portion of the jewelry component being for illustrative purposes only and forms no part of the claimed design; FIG. 84 is a perspective view of a thirty-second embodiment of a jewelry component showing our new design, the broken line showing of the top inset portion and bottom portion of the jewelry component being for illustrative purposes only and forms no part of the claimed design; FIG. 85 is a top plan view of the thirty-second embodiment; FIG. 86 is a side elevational view of the thirty-second, thirty-third, thirty-fourth, thirty-fifth, and thirty-sixth embodiments, the opposite view being a mirror image, the broken line showing of the bottom portion of the jewelry component being for illustrative purposes only and forms no part of the claimed design; FIG. 87 is a perspective view of a thirty-third embodiment of a jewelry component showing our new design, the broken line showing of the bottom portion of the jewelry component being for illustrative purposes only and forms no part of the claimed design;

FIG. 88 is a top plan view of the thirty-third embodiment; FIG. 89 is a perspective view of a thirty-fourth embodiment of a jewelry component showing our new design, the broken line showing of the bottom portion of the jewelry component being for illustrative purposes only and forms no part of the claimed design;

FIG. 90 is a top plan view of the thirty-fourth embodiment; FIG. 91 is a perspective view of a thirty-fifth embodiment of a jewelry component showing our new design, the broken line showing of the bottom portion of the jewelry component being for illustrative purposes only and forms no part of the claimed design;

FIG. 92 is a top plan view of the thirty-fifth embodiment; FIG. 93 is a perspective view of a thirty-sixth embodiment of a jewelry component showing our new design, the broken line showing of the bottom portion of the jewelry component being for illustrative purposes only and forms no part of the claimed design;

FIG. 94 is a top plan view of the thirty-sixth embodiment; FIG. 95 is a perspective view of a thirty-seventh embodiment of a jewelry component showing our new design, the broken line showing of the top inset portion and bottom portion of the jewelry component being for illustrative purposes only and forms no part of the claimed design;

FIG. 96 is a top plan view of the thirty-seventh embodiment; FIG. 97 is an enlarged partial cross sectional view taken along the line 97—97 in FIG. 96, presented to show only the feature of the sloping top, the broken line showing of the jewelry component being for illustrative purposes only and forms no part of the claimed design;

FIG. 98 is a perspective view of a thirty-eighth embodiment of a jewelry component showing our new design, the broken line showing of the bottom portion of the jewelry component being for illustrative purposes only and forms no part of the claimed design;

FIG. 99 is a top plan view of the thirty-eighth embodiment; FIG. 100 is a front elevational view of the thirty-seventh, thirty-eighth, and thirty-ninth, fortieth, and forty-first embodiments, the left, right, and rear views being the same, the broken line showing of the bottom portion of the jewelry component being for illustrative purposes only and forms no part of the claimed design;

FIG. 101 is an enlarged partial cross sectional view taken along the line 101—101 in FIGS. 99, 103, 105, and 107, presented to show only the feature of the sloping top, the broken line showing of the bottom portion of the jewelry component being for illustrative purposes only and forms no part of the claimed design;

FIG. 102 is a perspective view of a thirty-ninth embodiment of a jewelry component showing our new design, the broken line showing of the bottom portion of the jewelry component being for illustrative purposes only and forms no part of the claimed design;

FIG. 103 is a top plan view of the thirty-ninth embodiment; FIG. 104 is a perspective view of a fortieth embodiment of a jewelry component showing our new design, the broken line showing of the bottom portion of the jewelry component being for illustrative purposes only and forms no part of the claimed design;

FIG. 105 is a top plan view of the fortieth embodiment; FIG. 106 is a perspective view of a forty-first embodiment of a jewelry component showing our new design, the broken line showing of the bottom portion of the jewelry component being for illustrative purposes only and forms no part of the claimed design;

FIG. 107 is a top plan view of the forty-first embodiment; FIG. 108 is a perspective view of a forty-second embodiment of a jewelry component showing our new design, the broken line showing of the top inset portion and bottom portion of the jewelry component being for illustrative purposes only and forms no part of the claimed design;

FIG. 109 is a top plan view of the forty-second embodiment; FIG. 110 is a front elevational view of the forty-second, forty-third, forty-fourth, forty-fifth, and forty-sixth embodiments, the opposite view being a mirror image, the broken line showing of the bottom portion of the jewelry component being for illustrative purposes only and forms no part of the claimed design;

FIG. 111 is a perspective view of the forty-third embodiment of a jewelry component showing our new design, the broken line showing of the bottom portion of the jewelry component being for illustrative purposes only and forms no part of the claimed design;

FIG. 112 is a top plan view of the forty-third embodiment; FIG. 113 is a perspective view of a forty-fourth embodiment of a jewelry component showing our new design, the broken line showing of the bottom portion of the jewelry component being for illustrative purposes only and forms no part of the claimed design;

FIG. 114 is a top plan view of the forty-fourth embodiment; FIG. 115 is a perspective view of a forty-fifth embodiment of a jewelry component showing our new design, the broken line showing of the bottom portion of the jewelry component being for illustrative purposes only and forms no part of the claimed design;

FIG. 116 is a top plan view of the forty-fifth embodiment; FIG. 117 is a perspective view of a forty-sixth embodiment of a jewelry component showing our new design, the broken line showing of the bottom portion of the jewelry component being for illustrative purposes only and forms no part of the claimed design;

FIG. 118 is a top plan view of the forty-sixth embodiment; FIG. 119 is a perspective view of a forty-seventh embodiment of a jewelry component showing our new design, the broken line showing of the top inset portion and bottom portion of the jewelry component being for illustrative purposes only and forms no part of the claimed design;

FIG. 120 is a top plan view of the forty-seventh embodiment;

FIG. 121 is an enlarged partial cross sectional view taken along the line 121—121 in FIG. 120, presented to show only the feature of the sloping top, the broken line showing of the jewelry component being for illustrative purposes only and forms no part of the claimed design;

FIG. 122 is a perspective view of a forty-eighth embodiment of a jewelry component showing our new design, the broken line showing of the bottom portion of the jewelry component being for illustrative purposes only and forms no part of the claimed design;

FIG. 123 is a top plan view of the forty-eighth embodiment; FIG. 124 is a front elevational view of the forty-seventh, forty-eighth, forty-ninth, fiftieth, and fifty-first embodiments, the opposite view being a mirror image, the broken line showing of the bottom portion of the jewelry component being for illustrative purposes only and forms no part of the claimed design;

FIG. 125 is an enlarged partial cross sectional view taken along the line 125—125 in FIGS. 123, 127, 129, and 131, presented to show only the feature of the sloping top, the broken line showing of the bottom portion of the jewelry component being for illustrative purposes only and forms no part of the claimed design;

FIG. 126 is a perspective view of a forty-ninth embodiment of a jewelry component showing our new design, the broken line showing of the bottom portion of the jewelry component being for illustrative purposes only and forms no part of the claimed design;

FIG. 127 is a top plan view of the forty-ninth embodiment; FIG. 128 is a perspective view of a fiftieth embodiment of a jewelry component showing our new design, the broken line showing of the bottom portion of the jewelry component being for illustrative purposes only and forms no part of the claimed design;

FIG. 129 is a top plan view of the fiftieth embodiment;

FIG. 130 is a perspective view of a fifty-first embodiment of a jewelry component showing our new design, the broken line showing of the bottom portion of the jewelry component being for illustrative purposes only and forms no part of the claimed design; and,

FIG. 131 is a top plan view of the fifty-first embodiment.

1 Claim, 16 Drawing Sheets

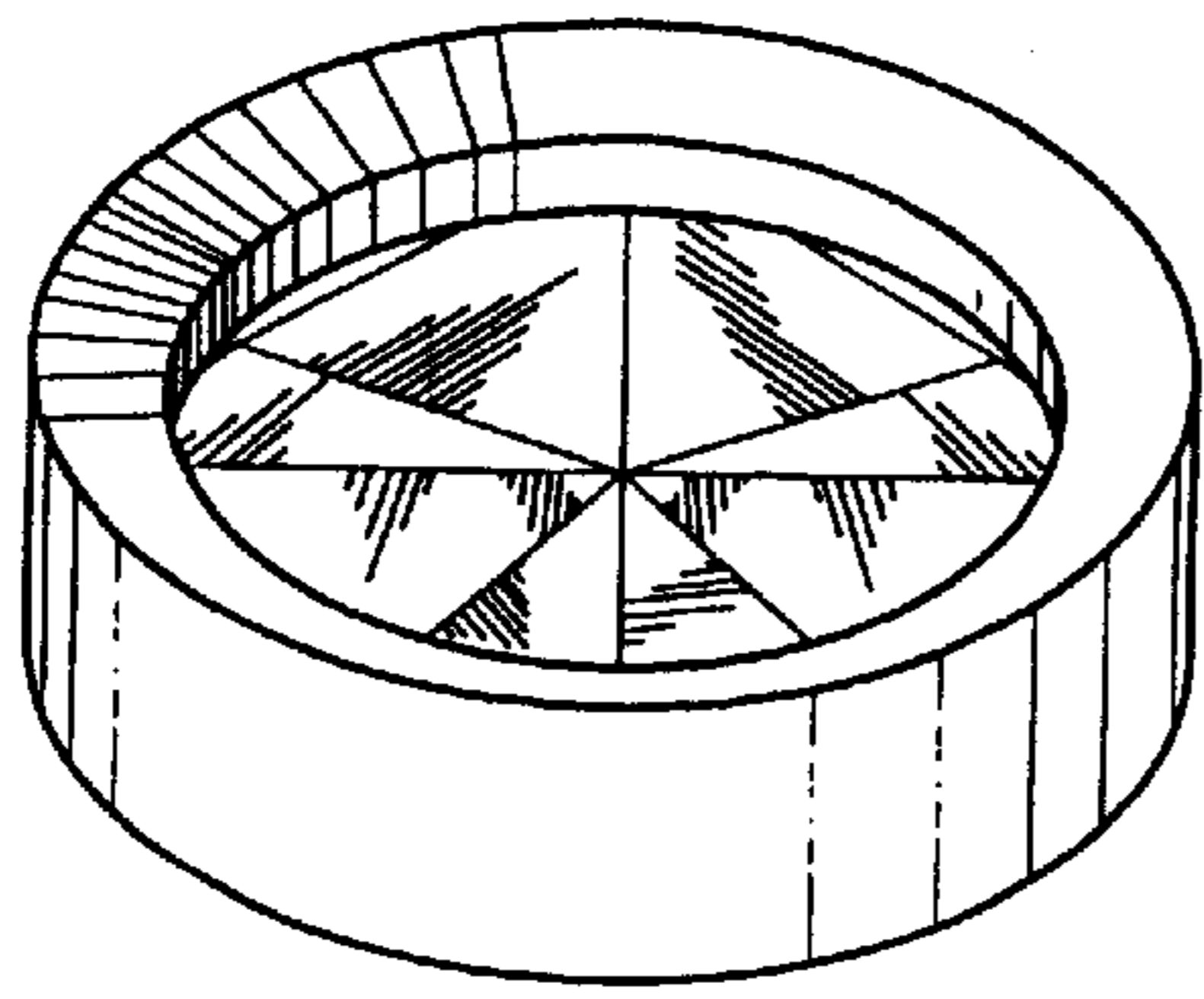


FIG. 1

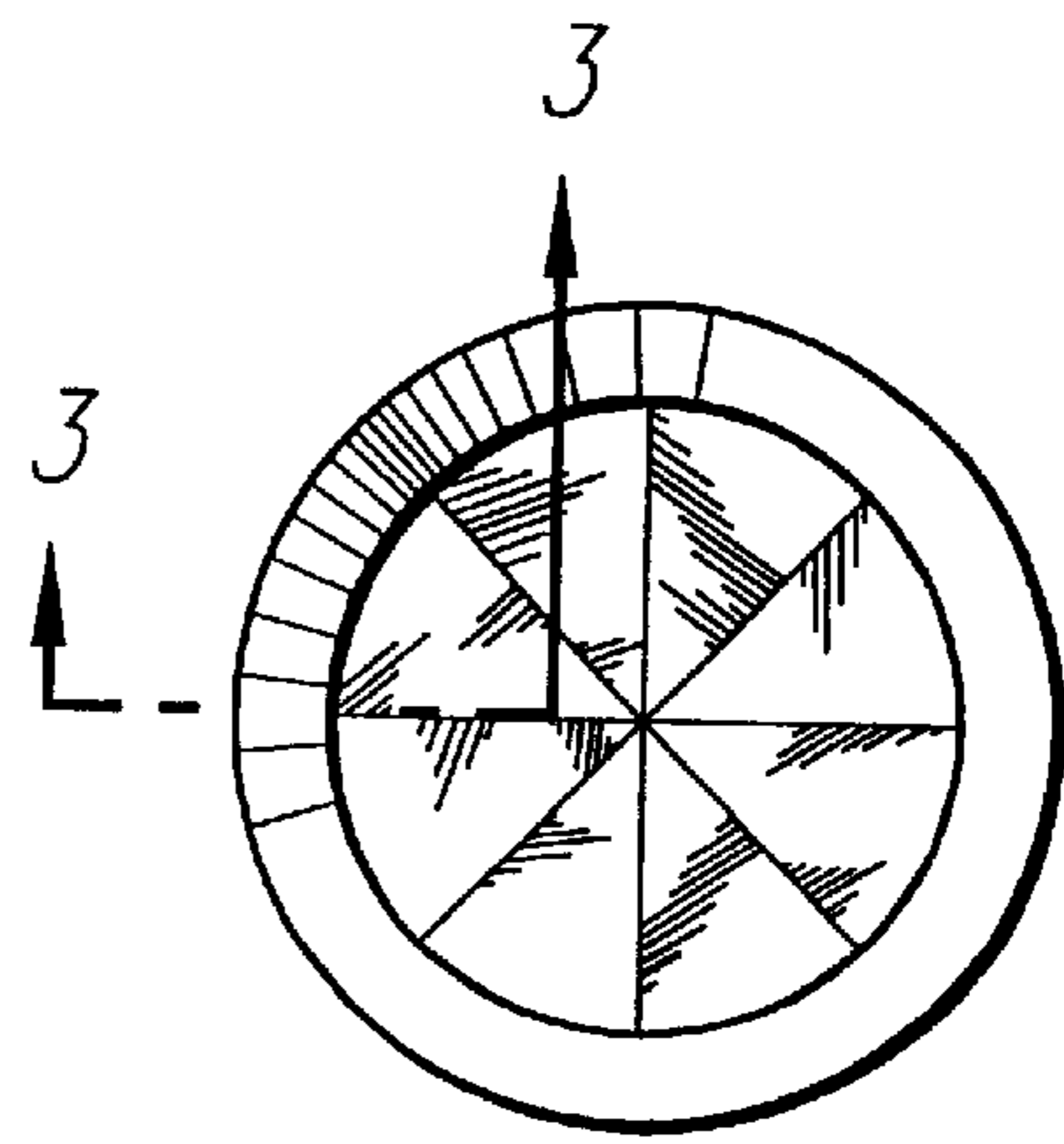


FIG. 2

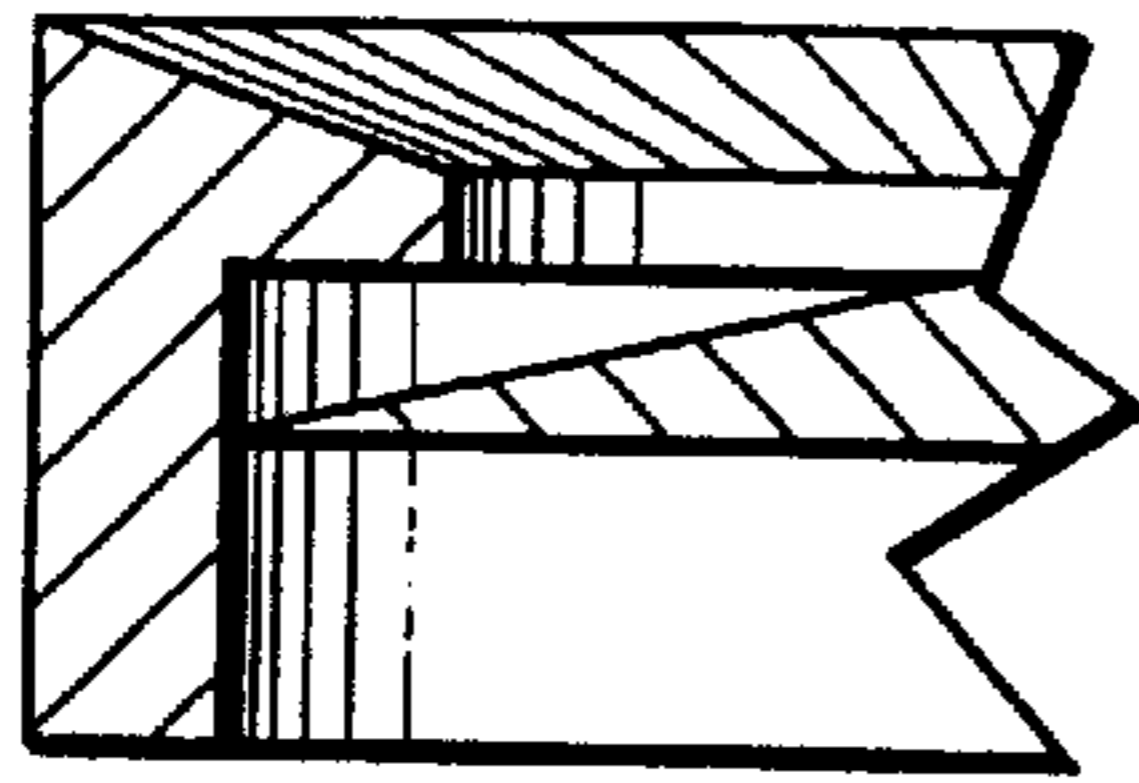


FIG. 3



FIG. 4

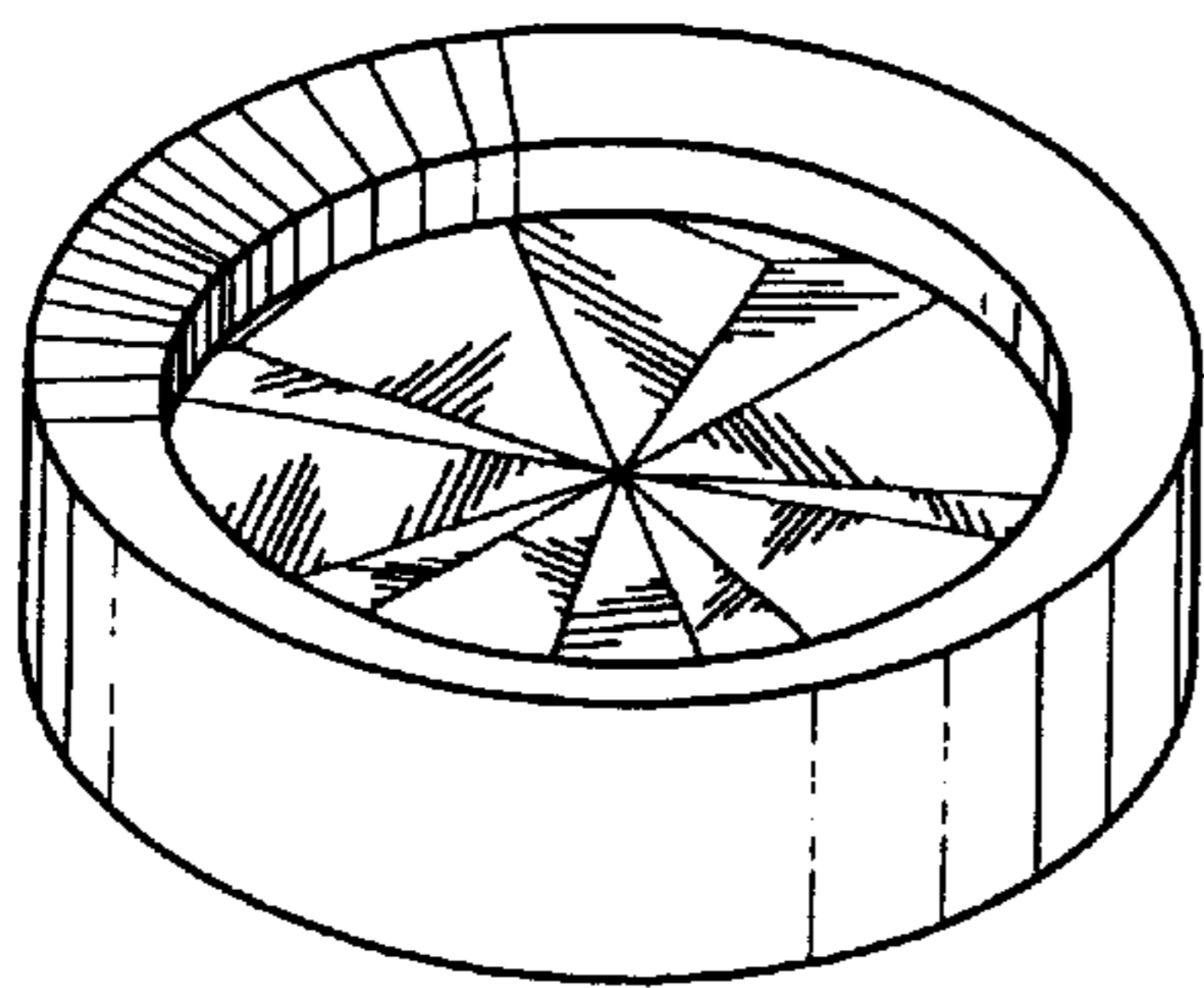


FIG. 5

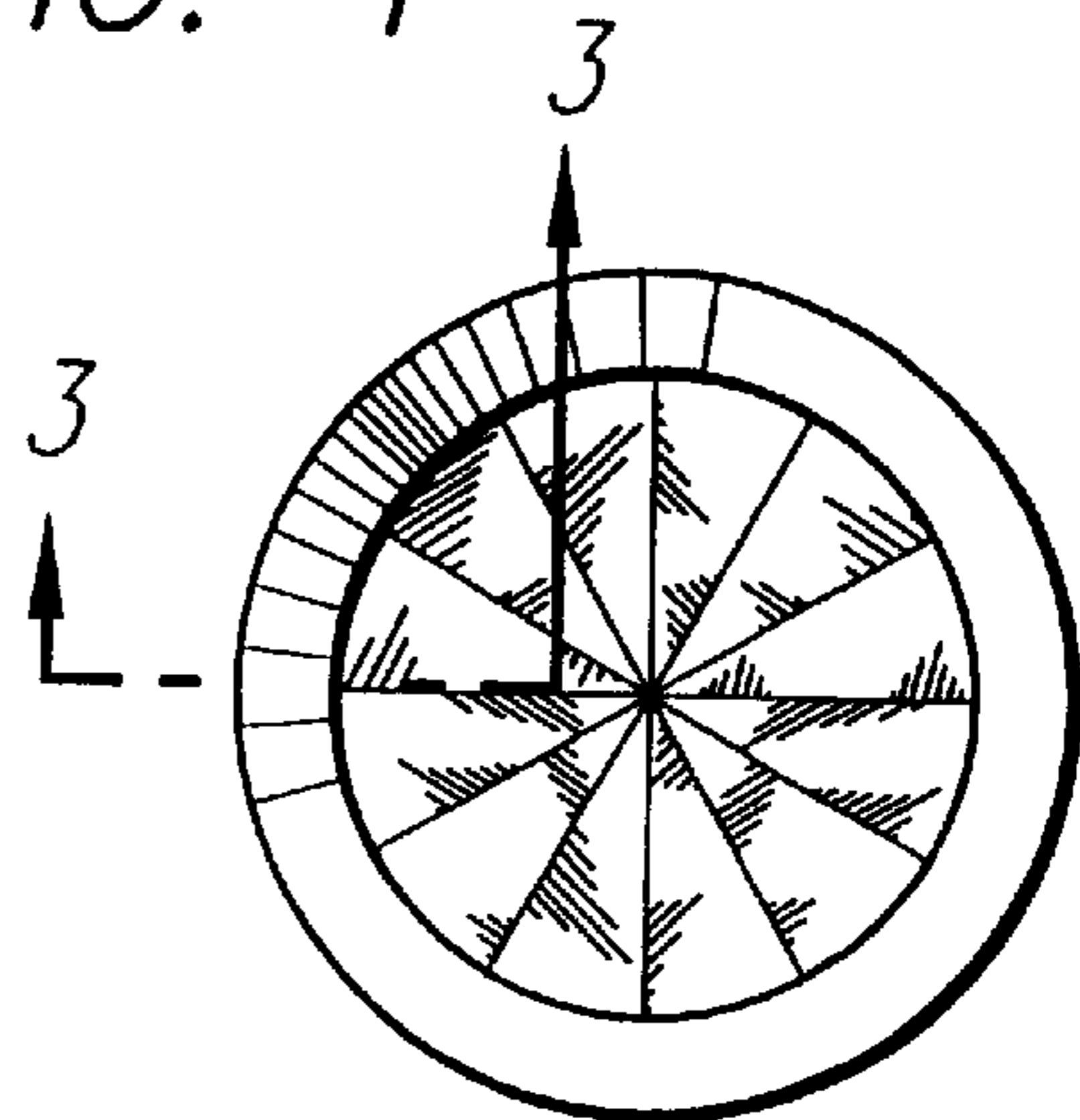


FIG. 6

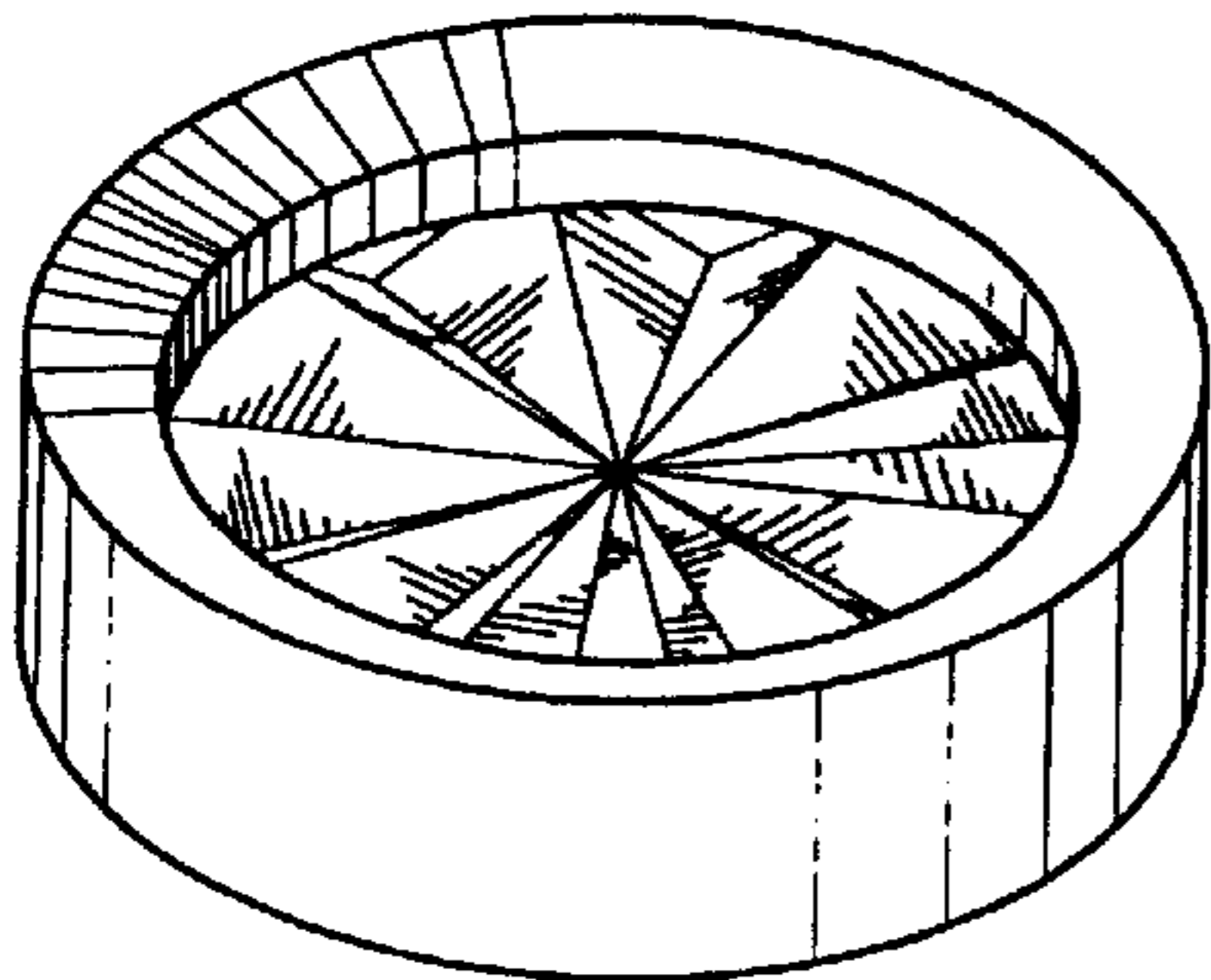


FIG. 7

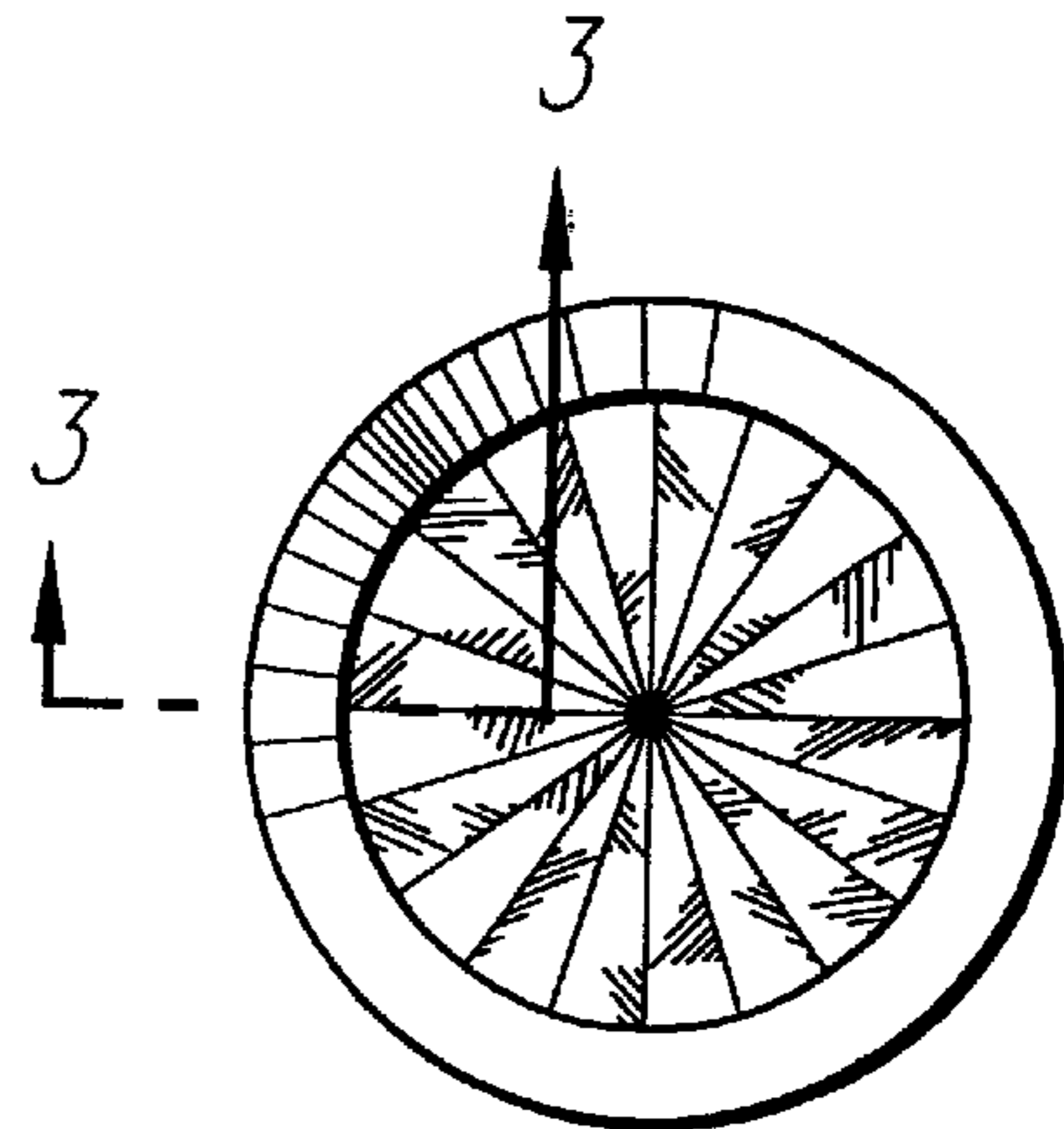


FIG. 8

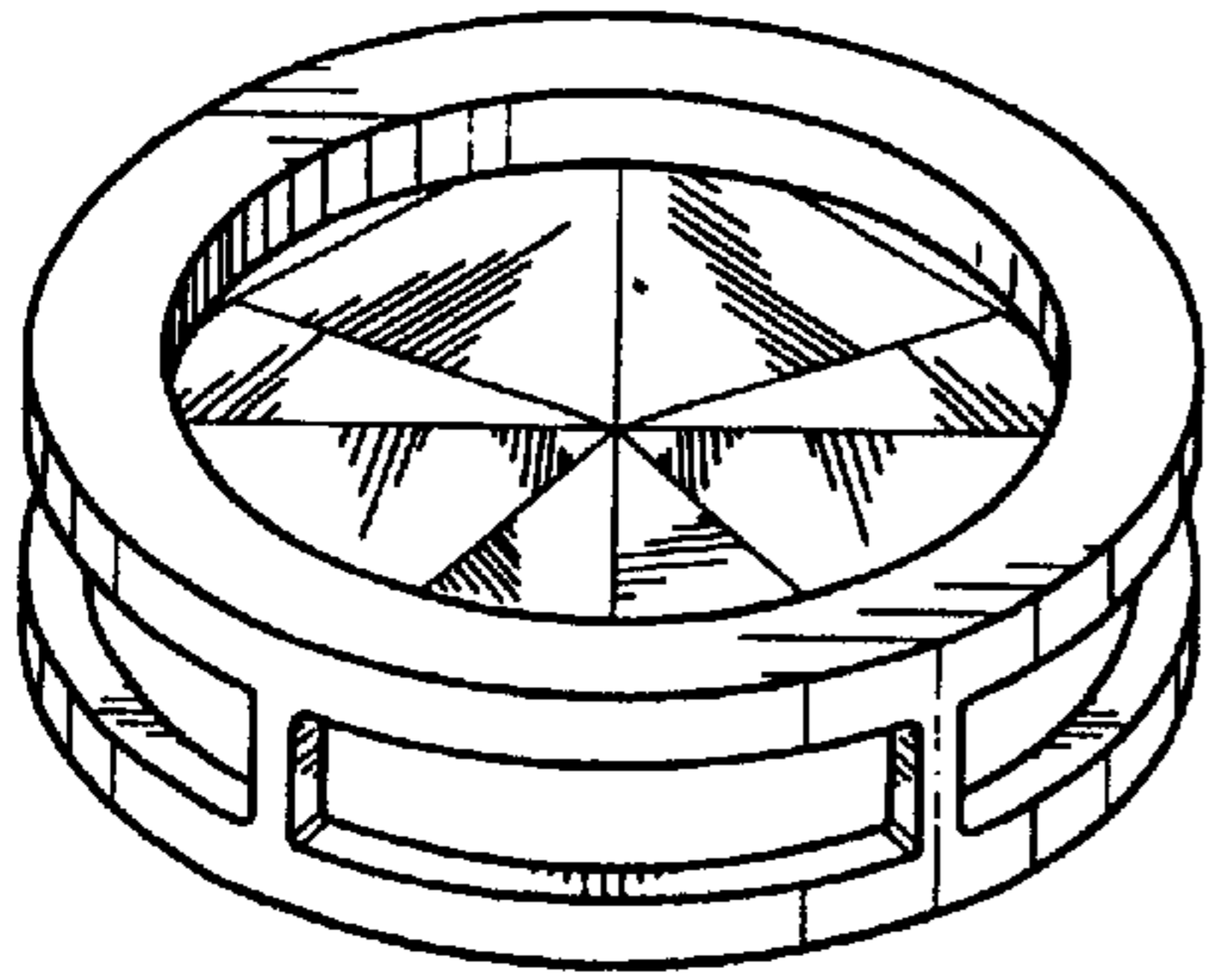


FIG. 9

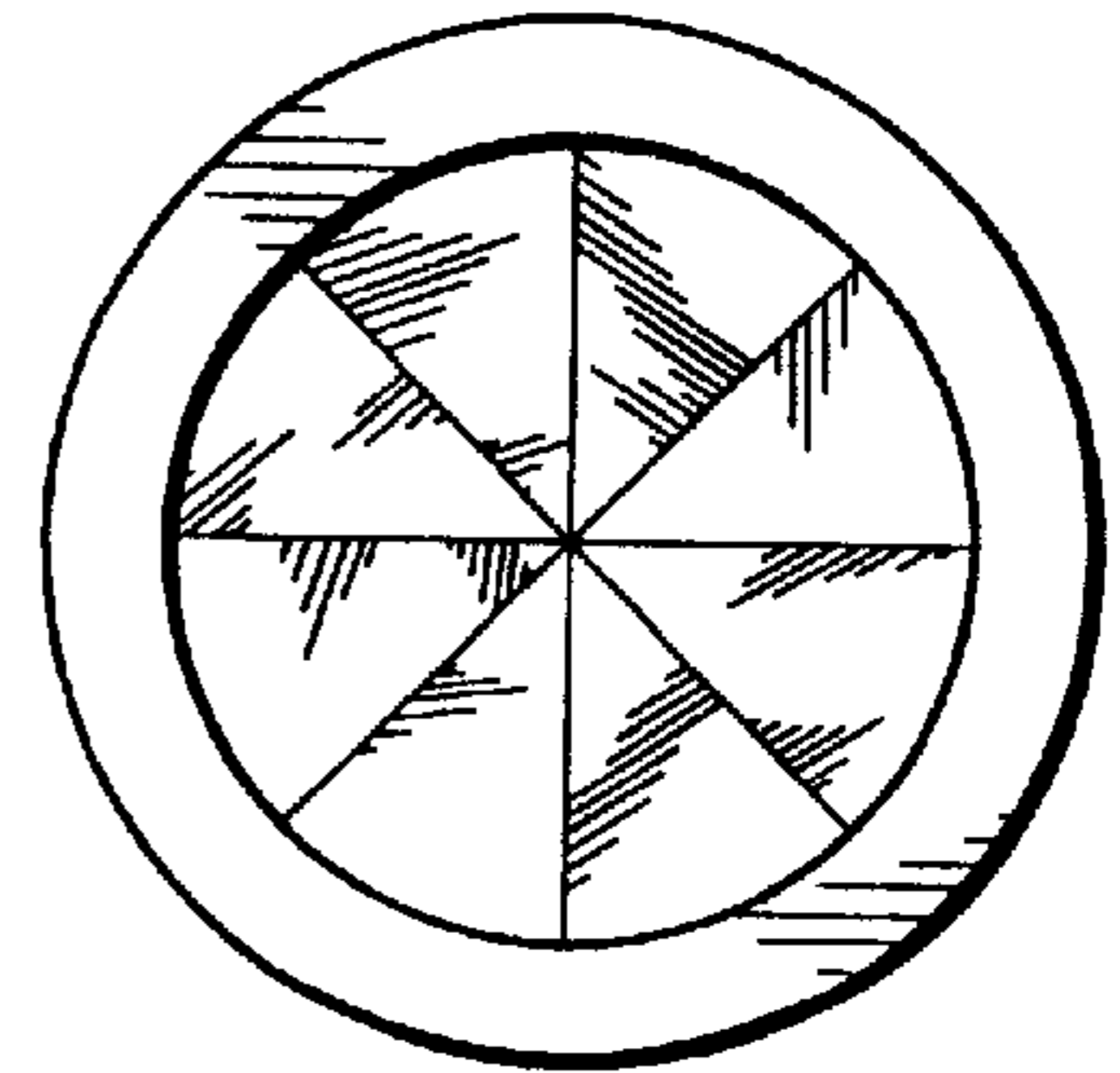


FIG. 10

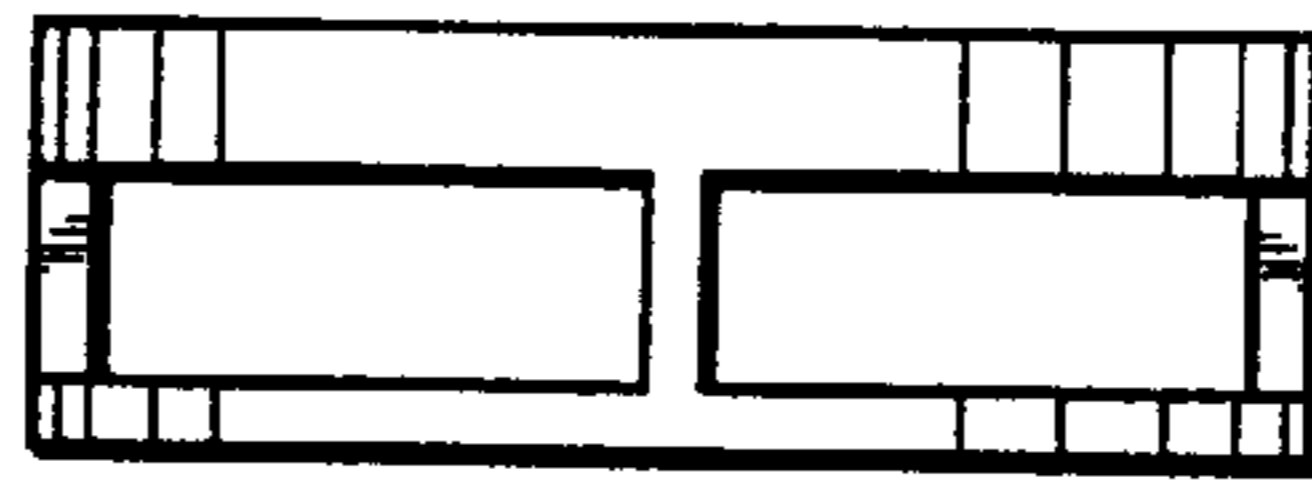


FIG. 11

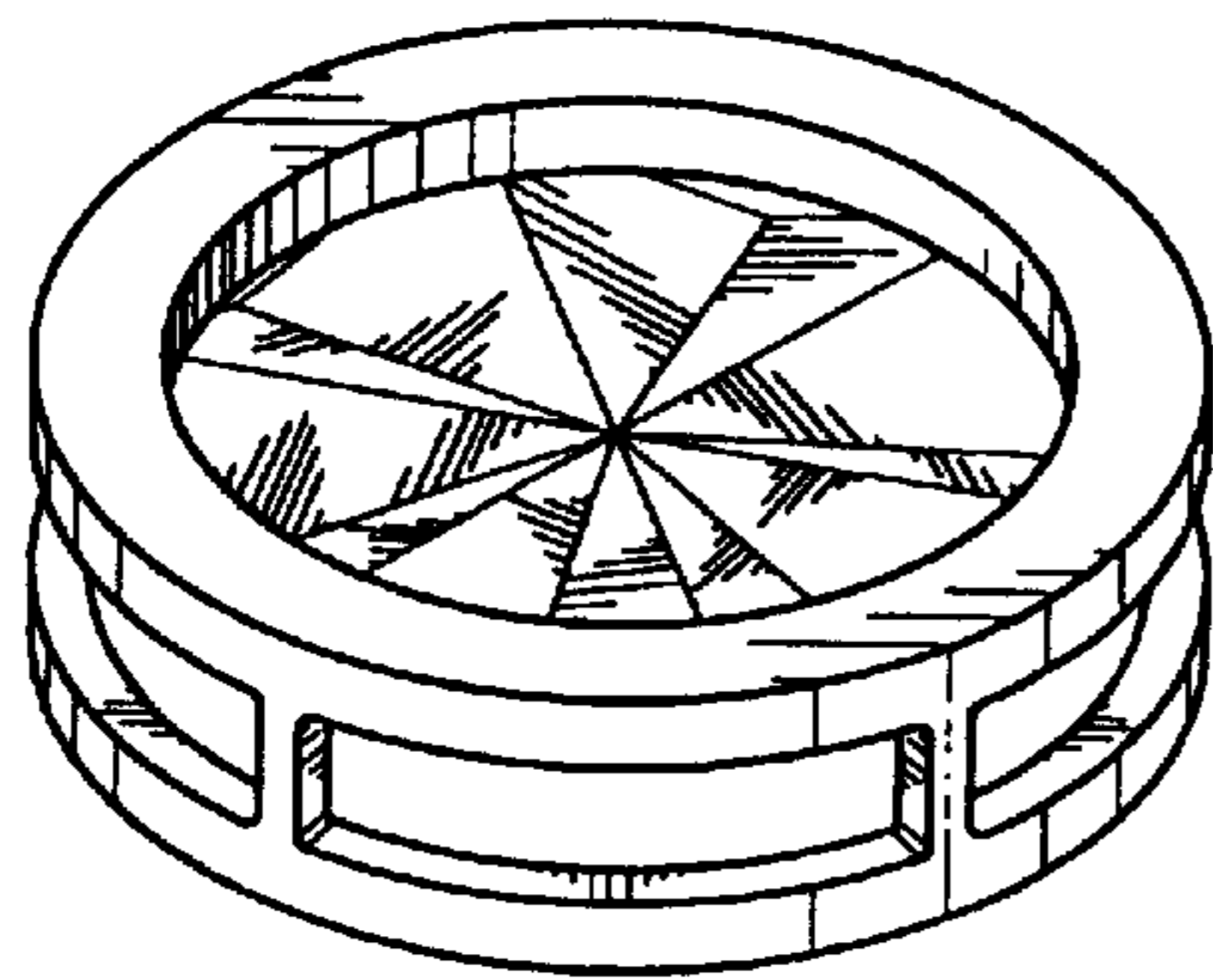


FIG. 12

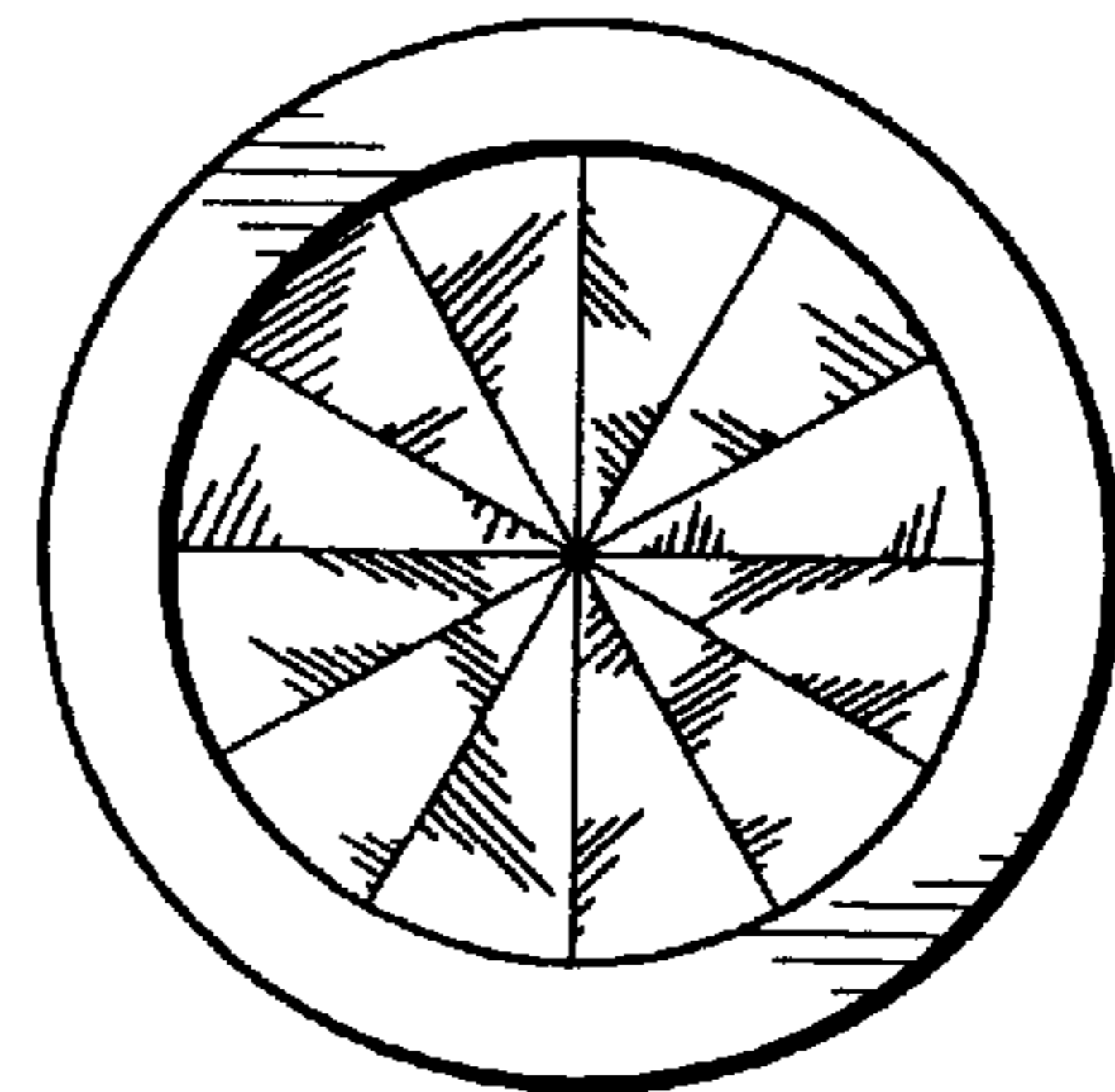


FIG. 13

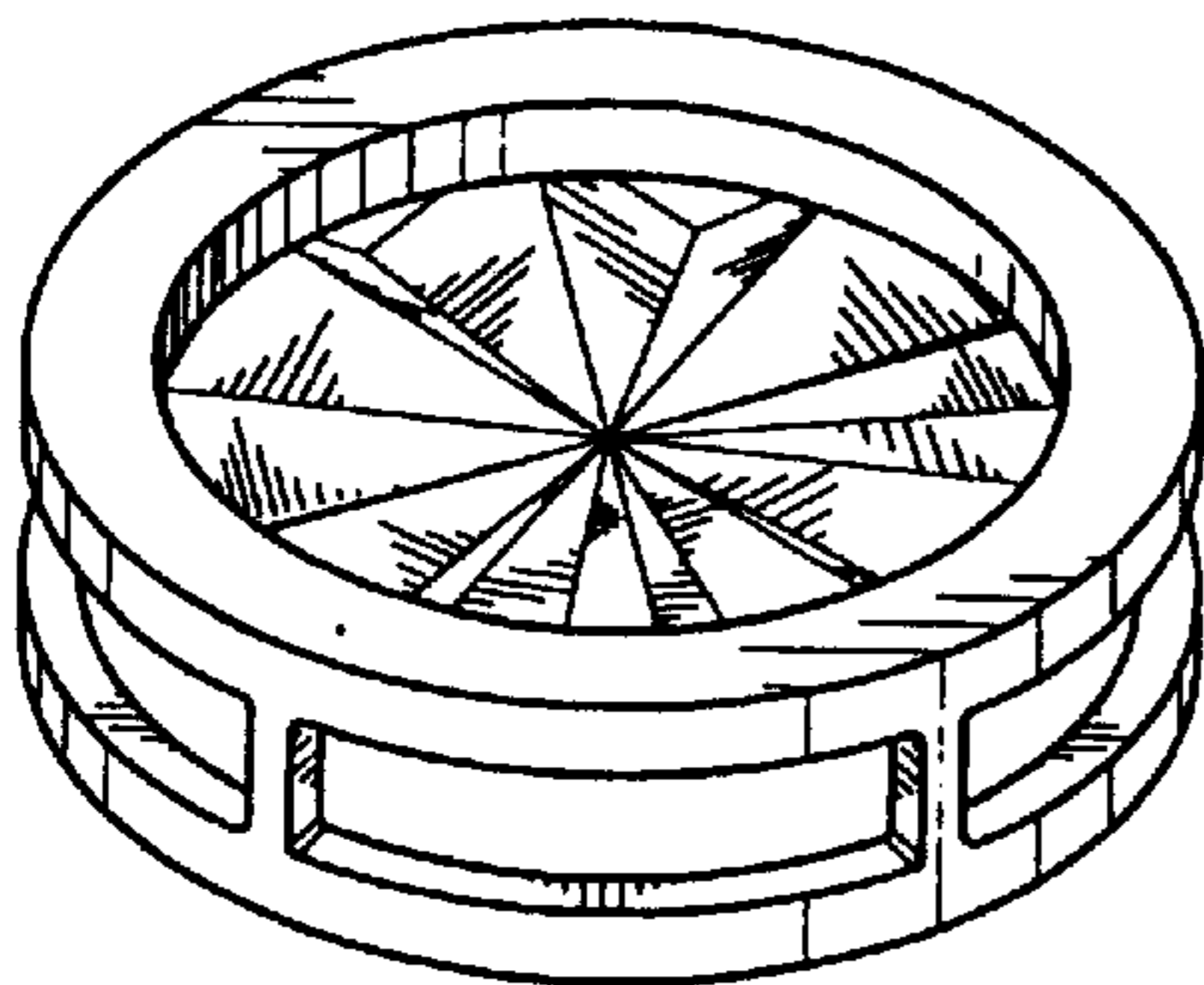


FIG. 14

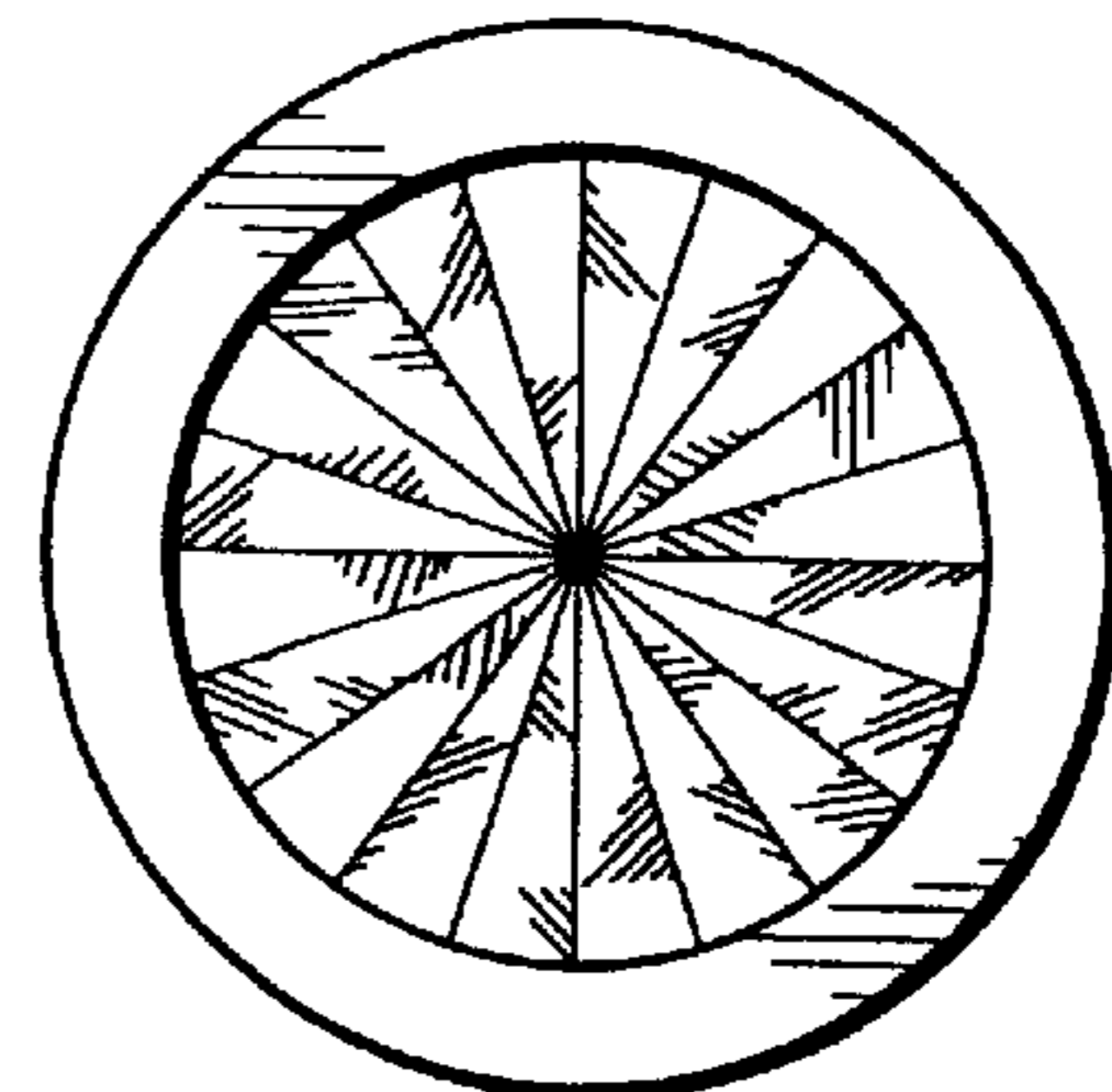


FIG. 15

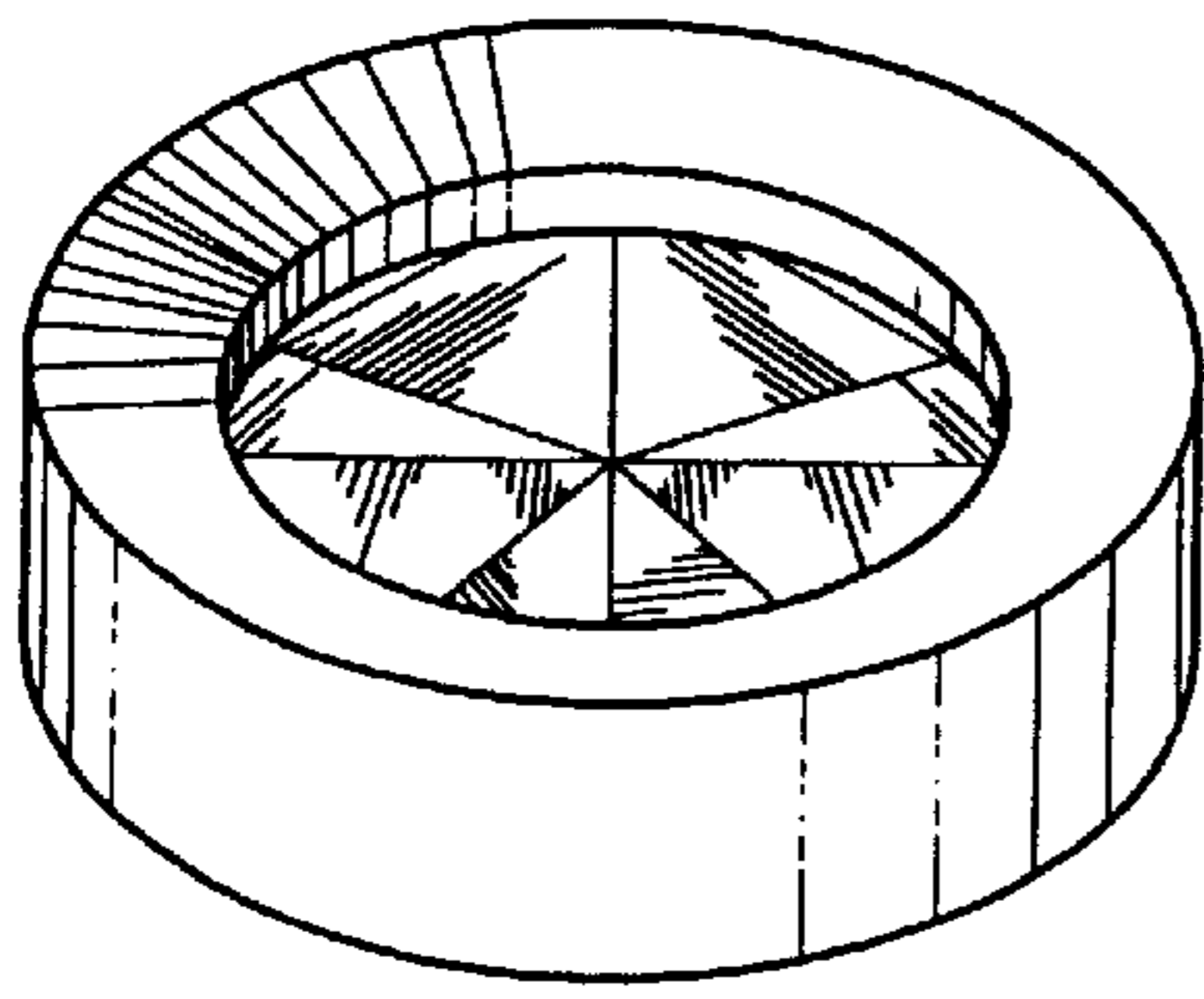


FIG. 16

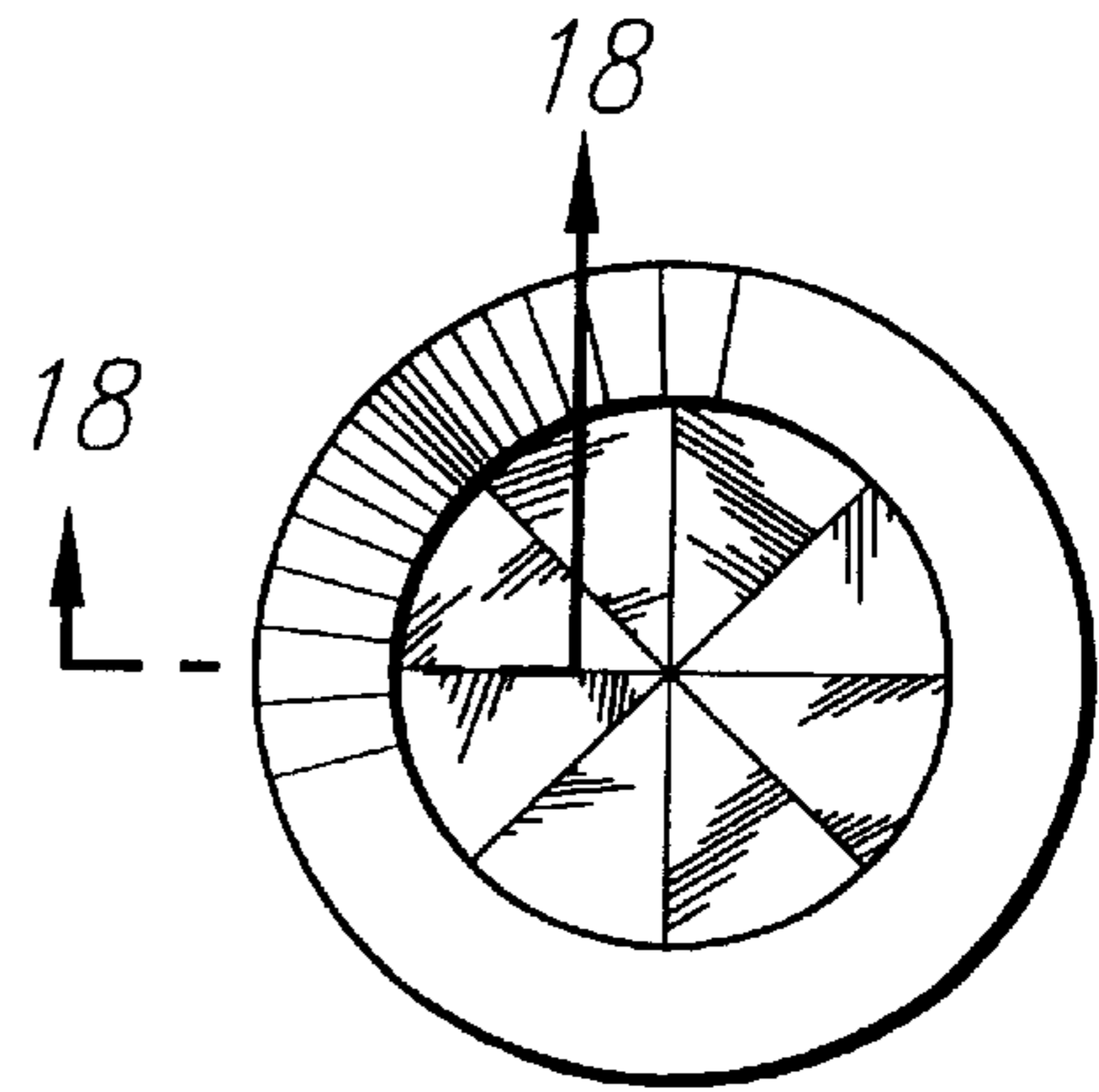


FIG. 17

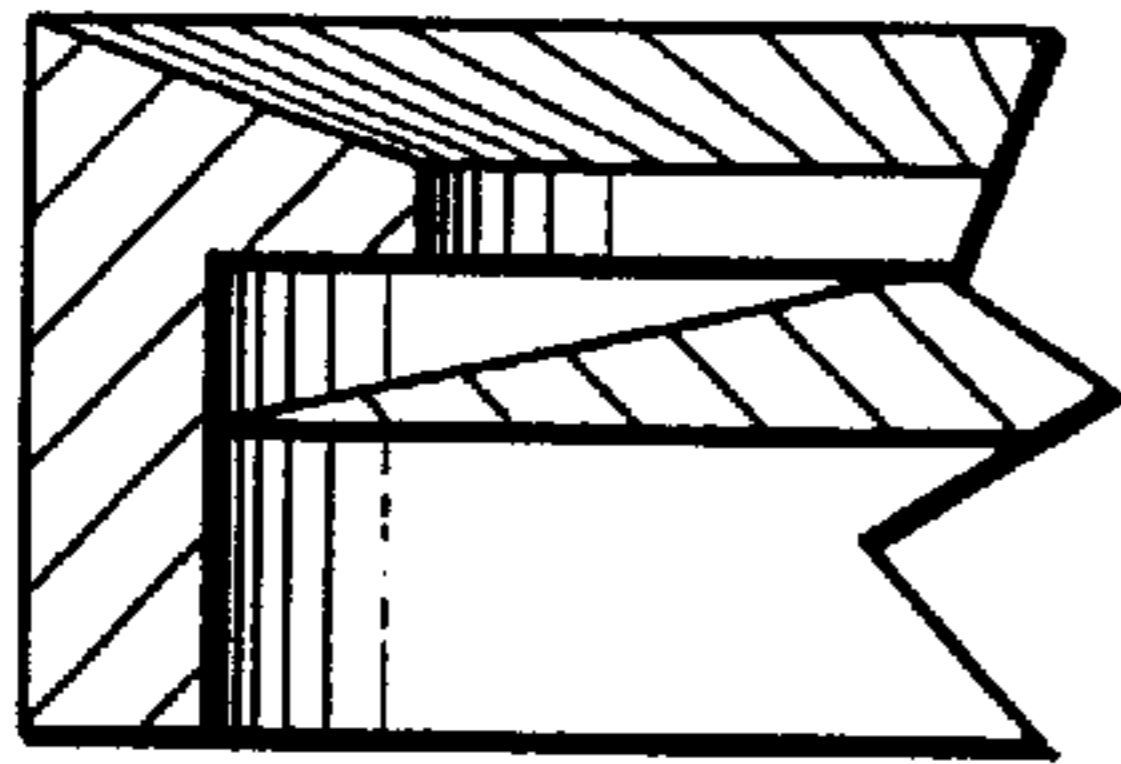


FIG. 18



FIG. 19

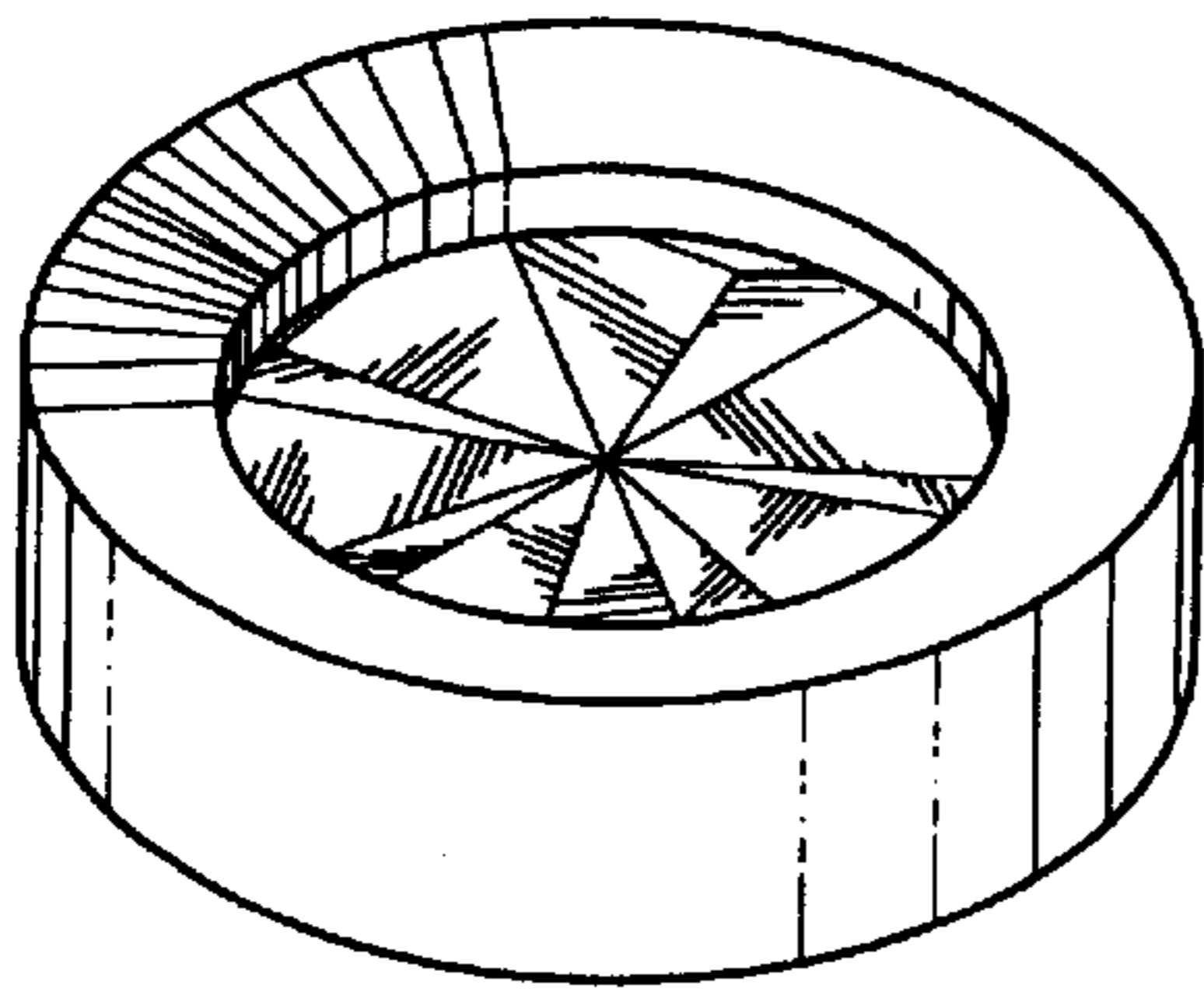


FIG. 20

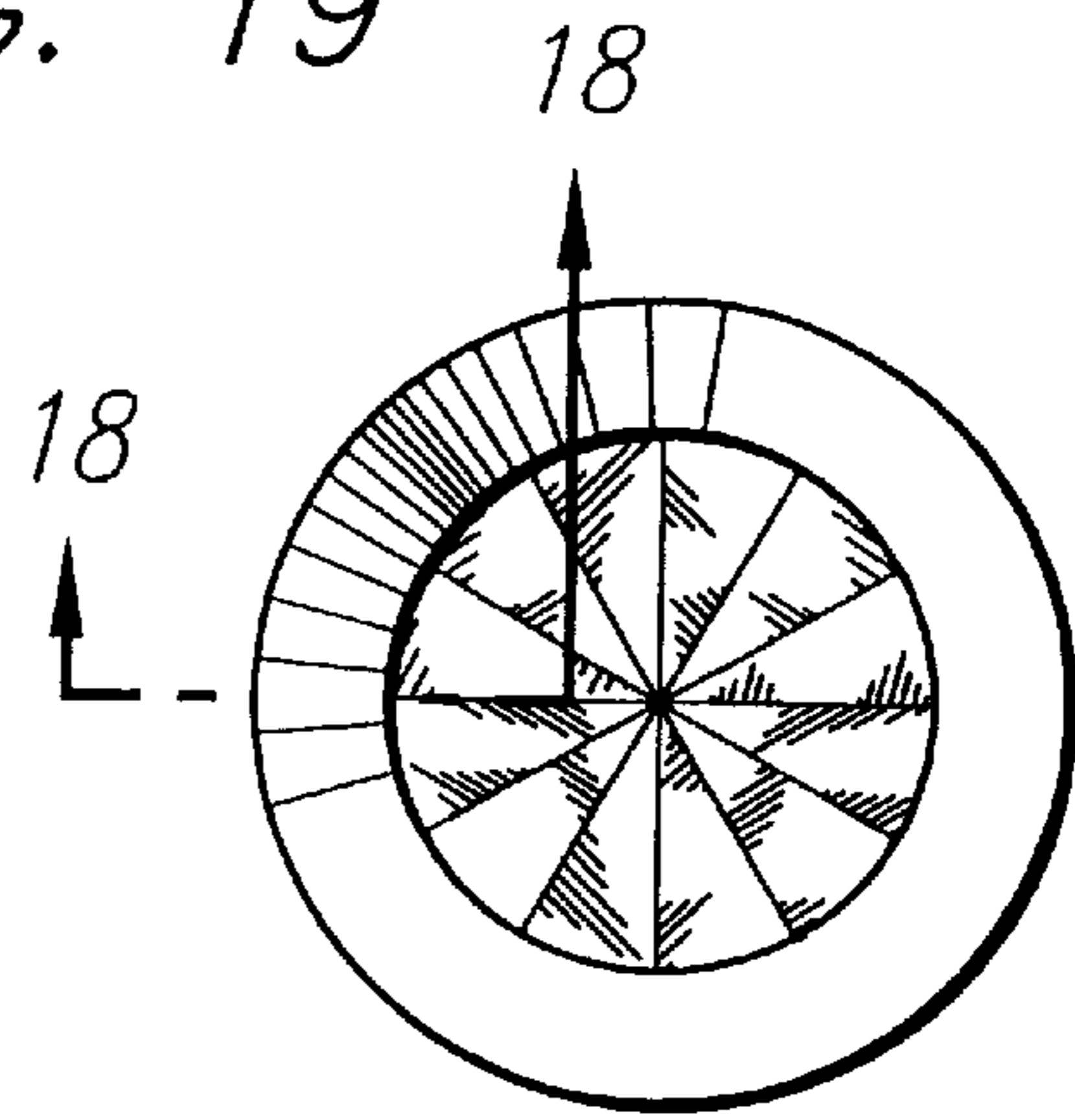


FIG. 21

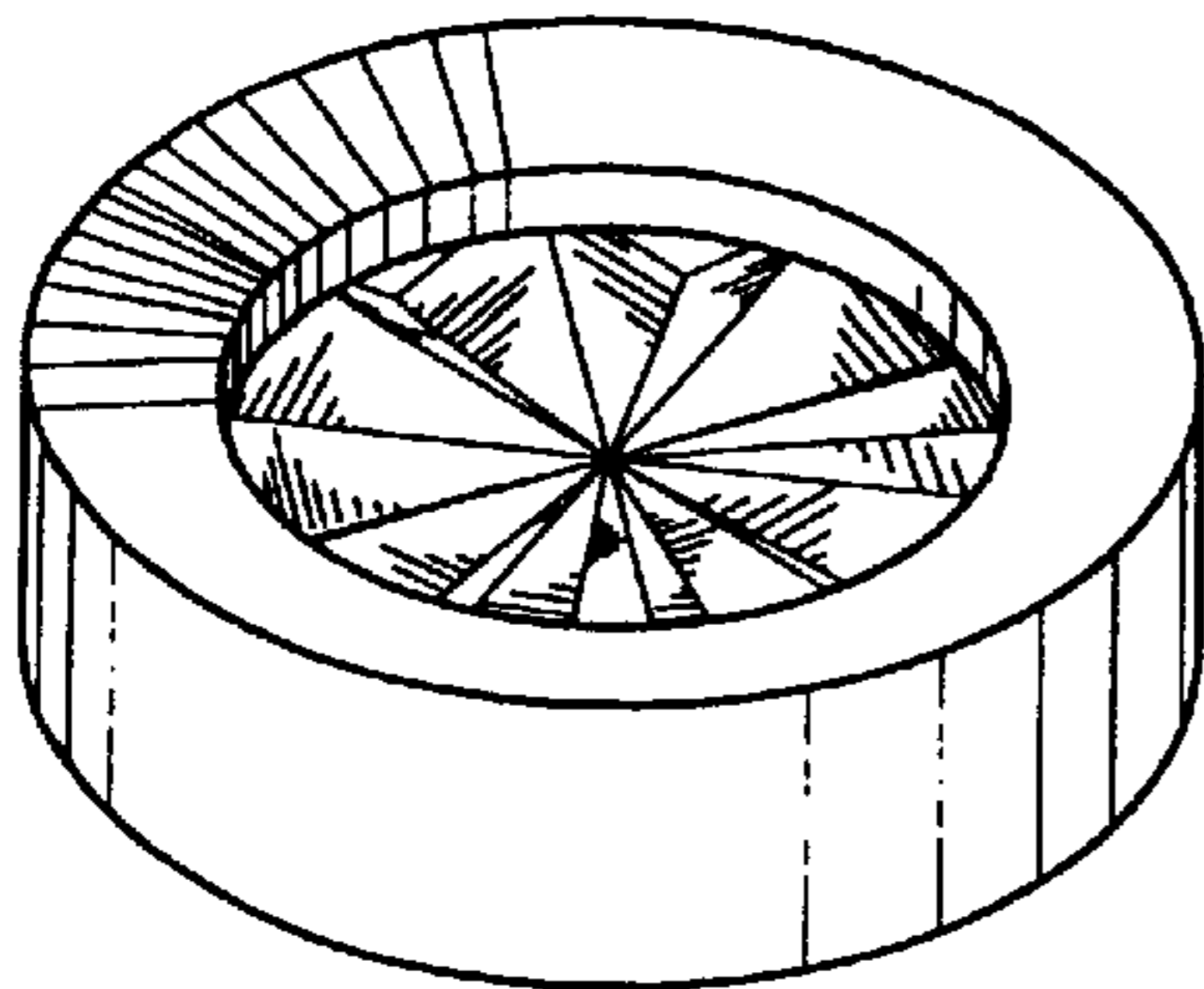


FIG. 22

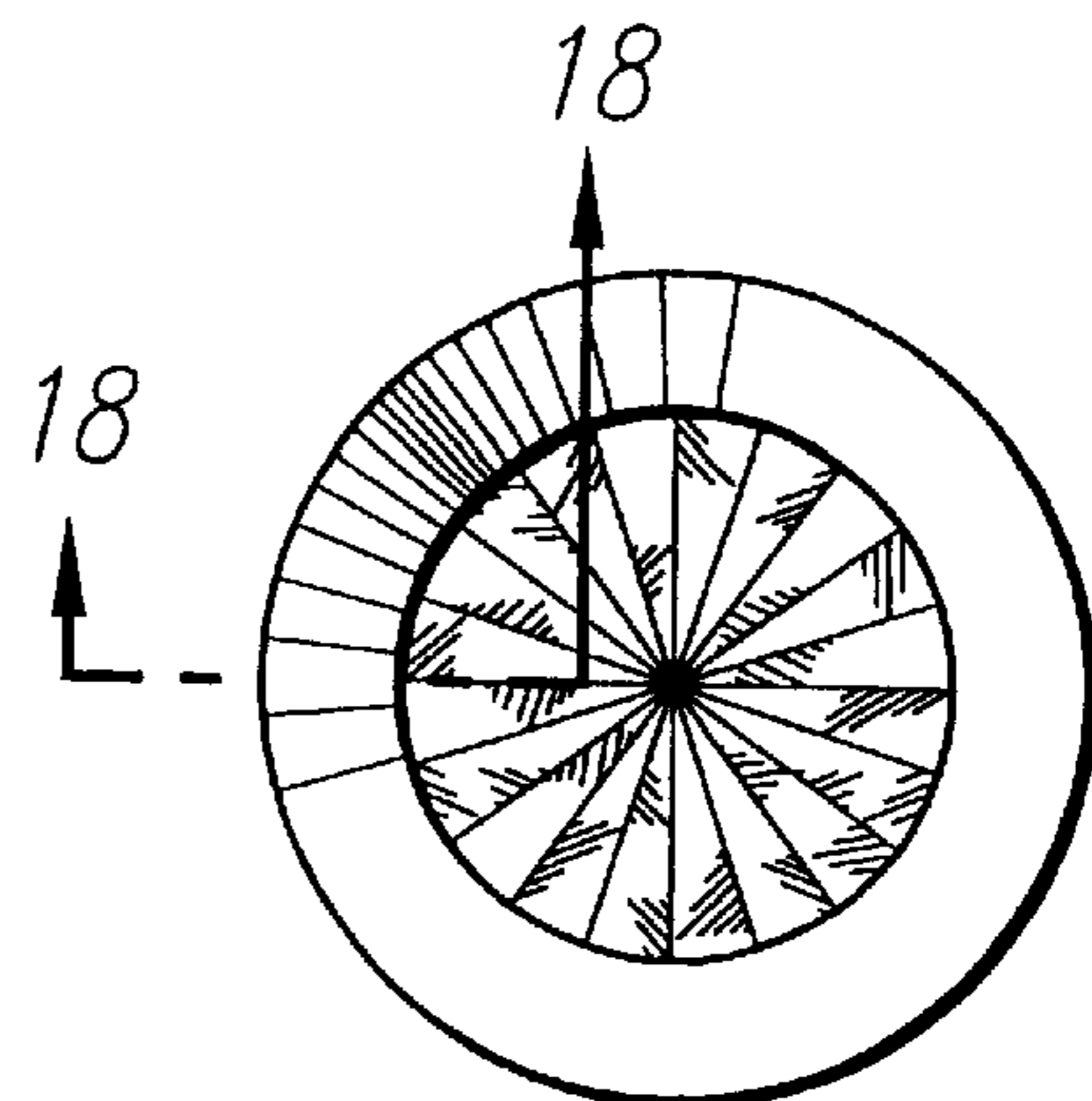


FIG. 23

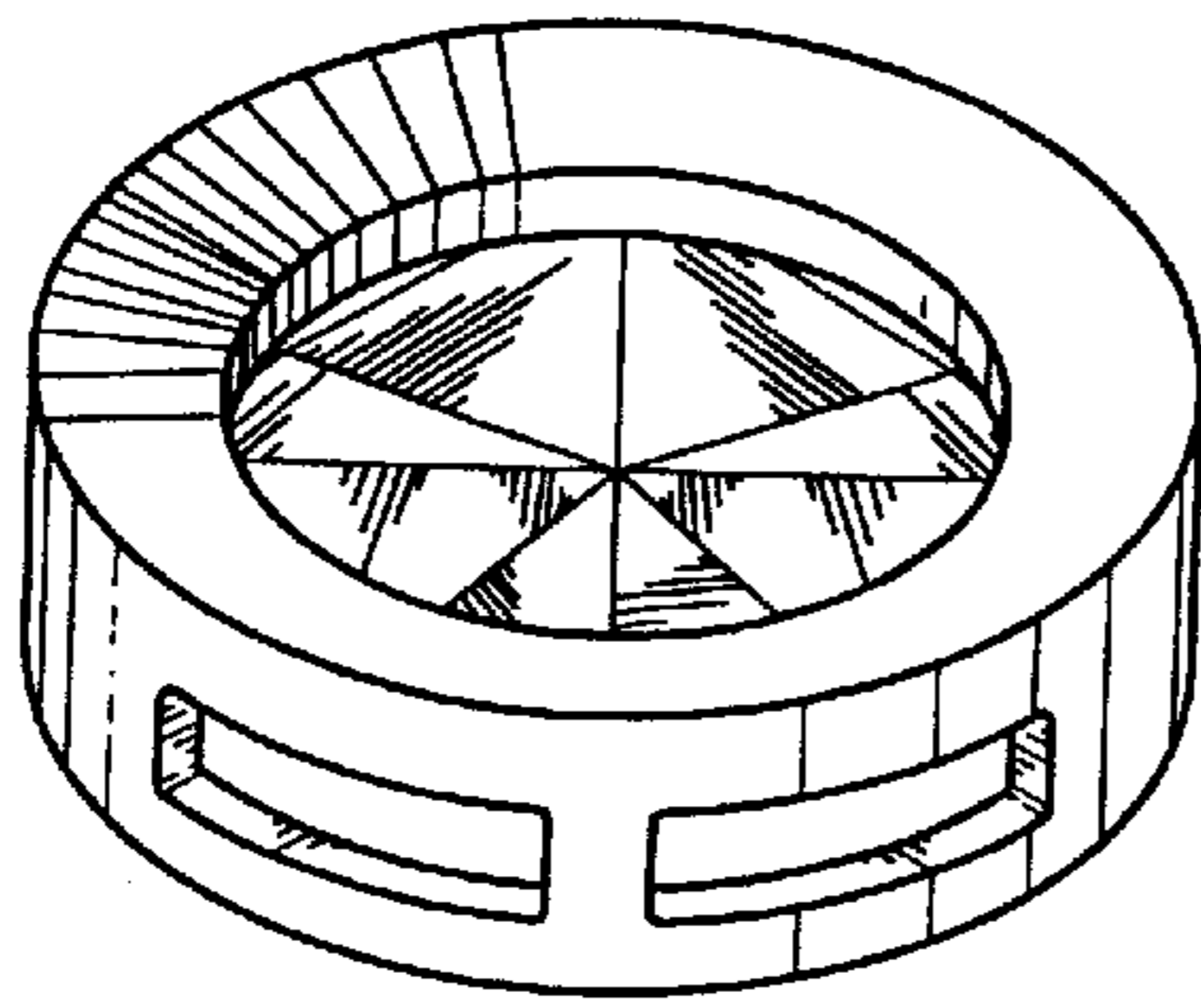


FIG. 24

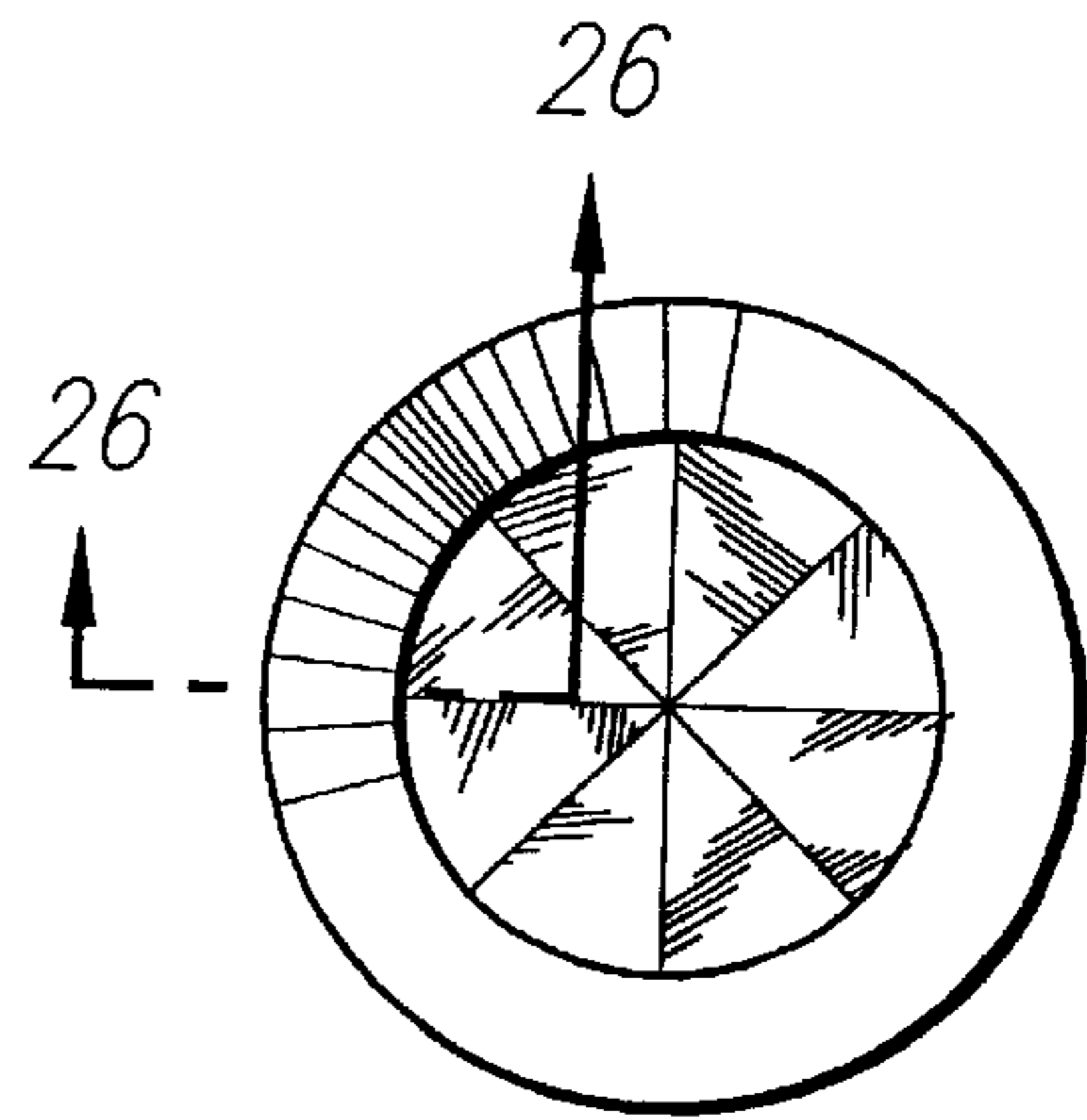


FIG. 25

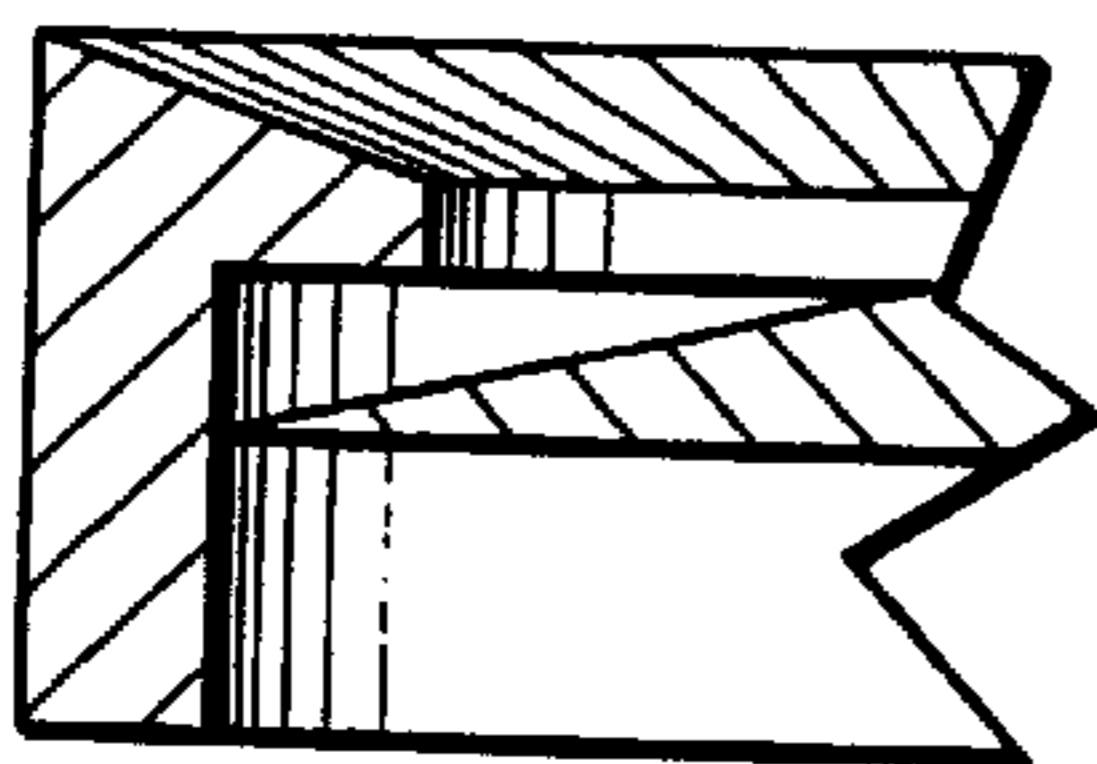


FIG. 26

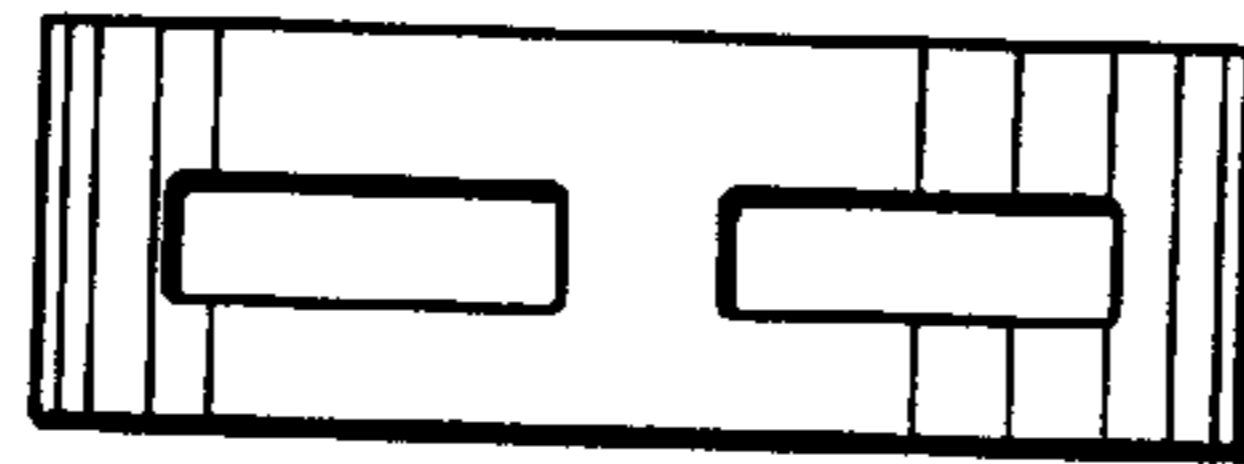


FIG. 27

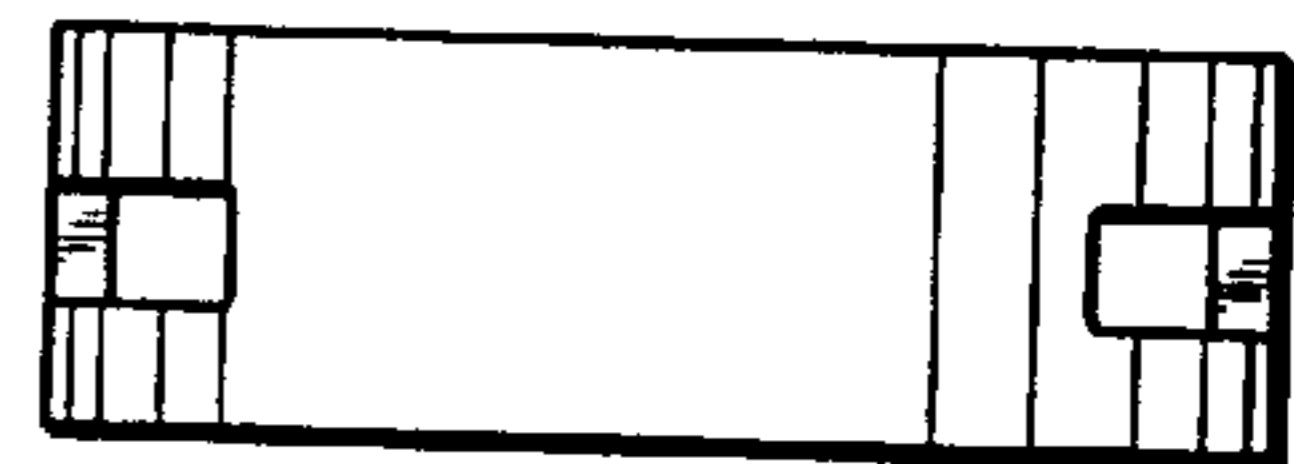


FIG. 28

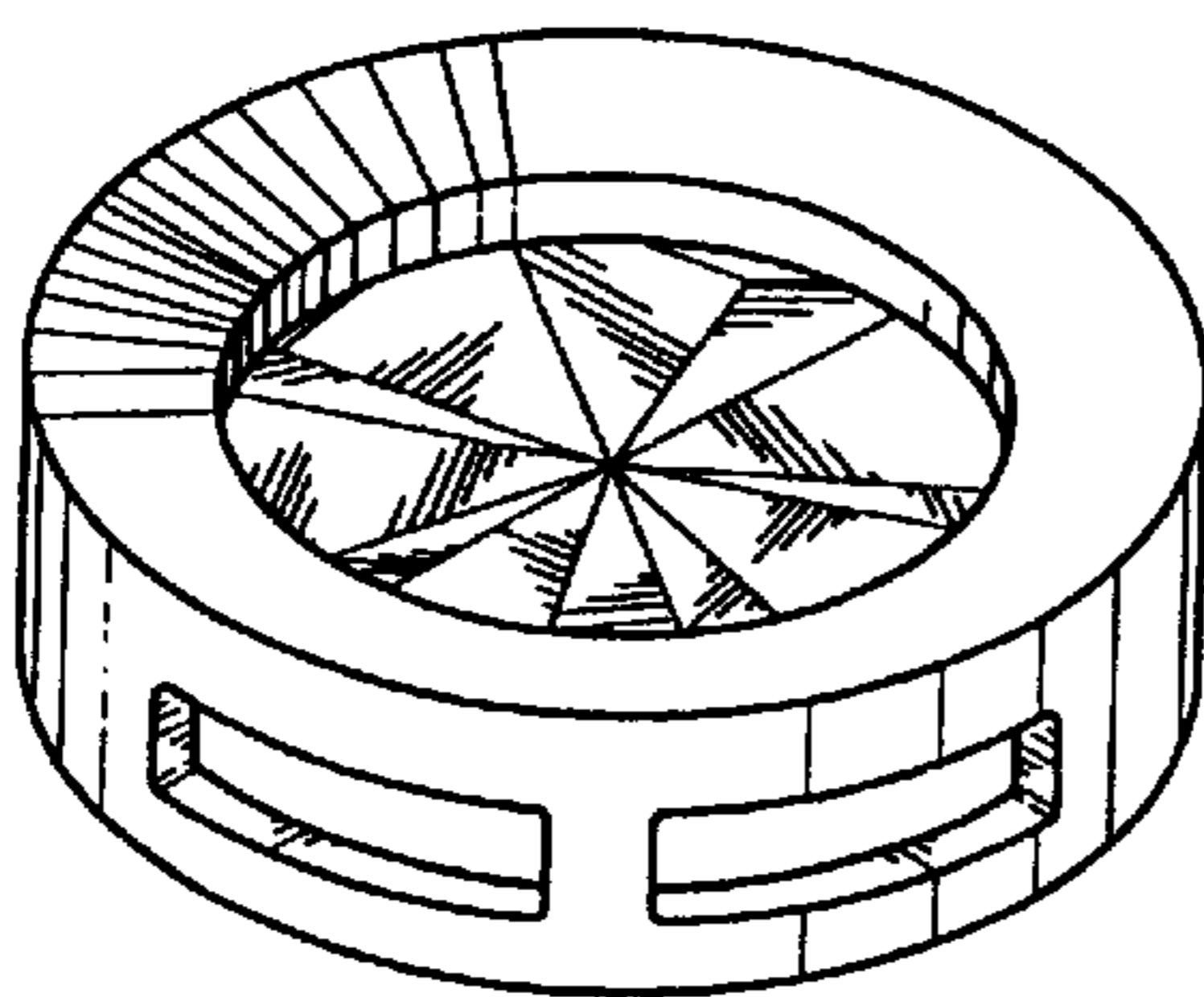


FIG. 29

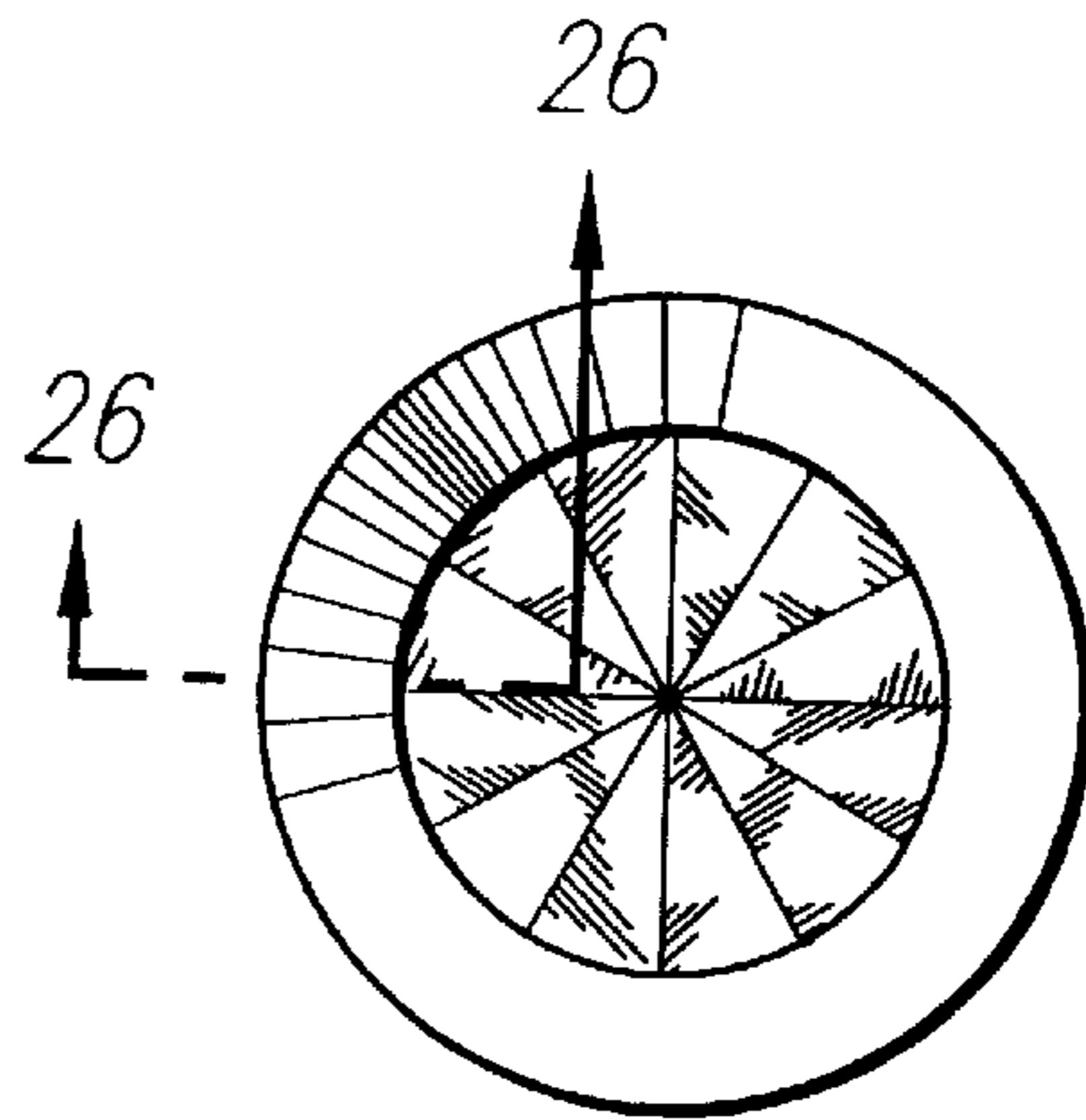


FIG. 30

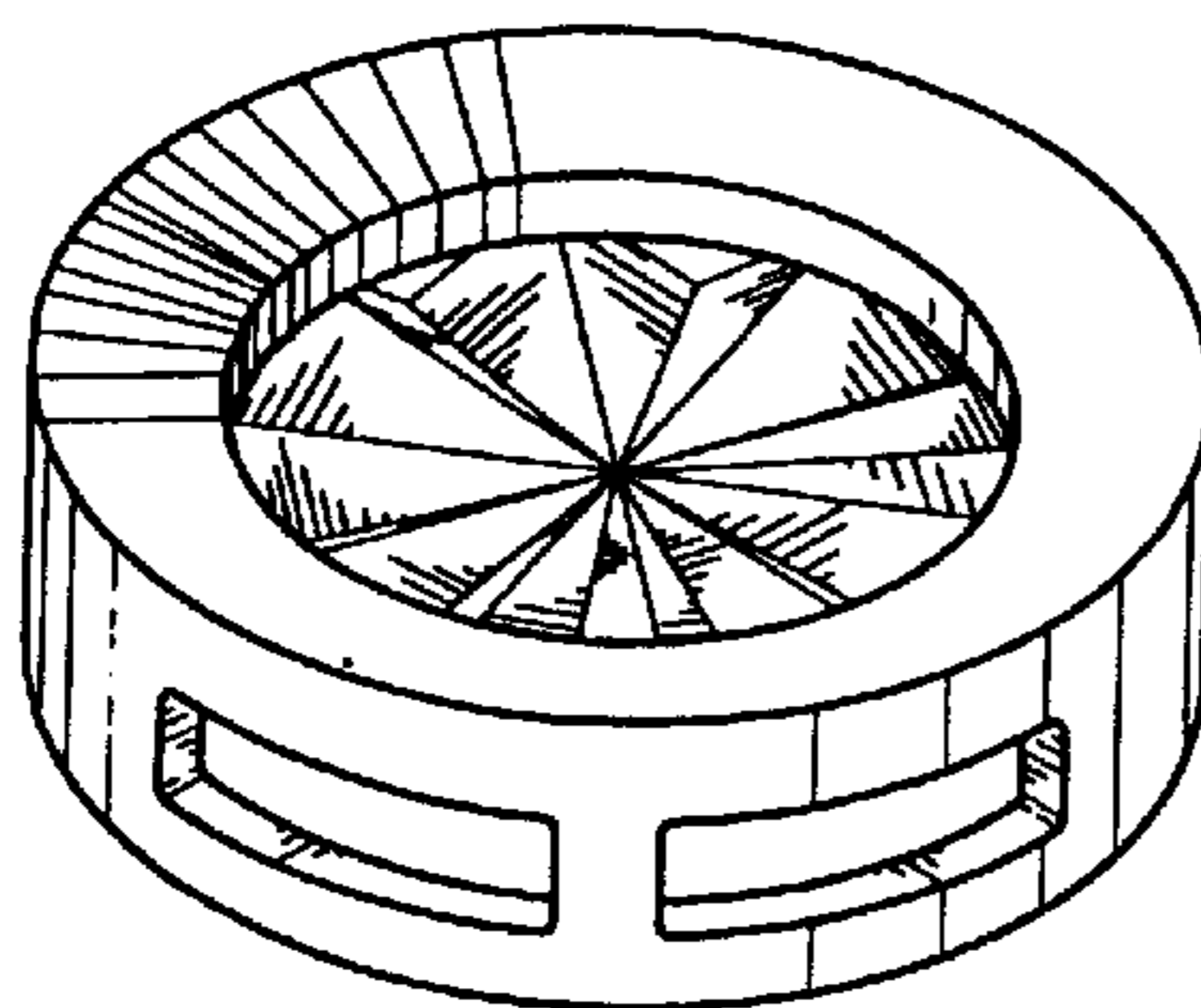


FIG. 31

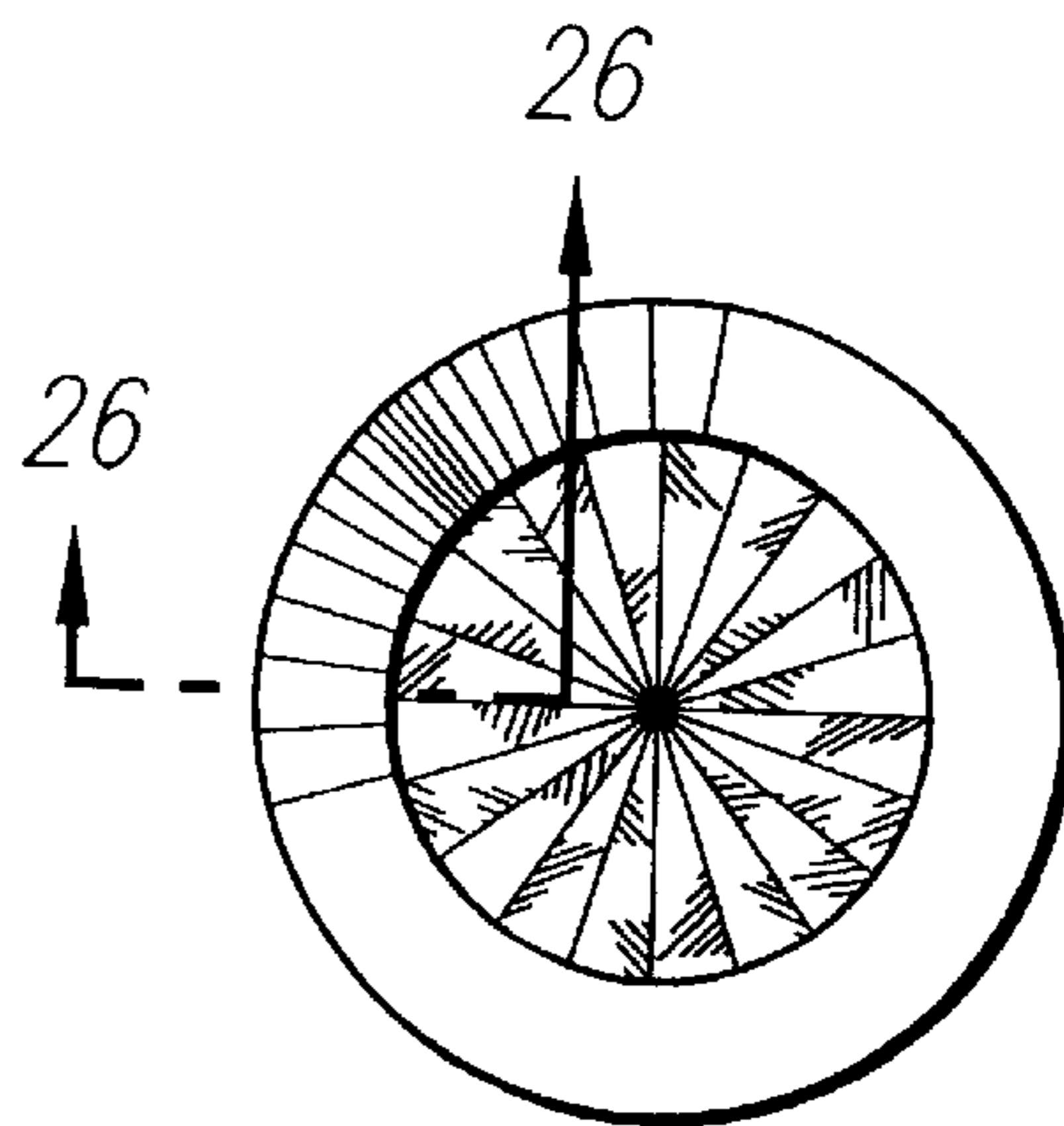


FIG. 32

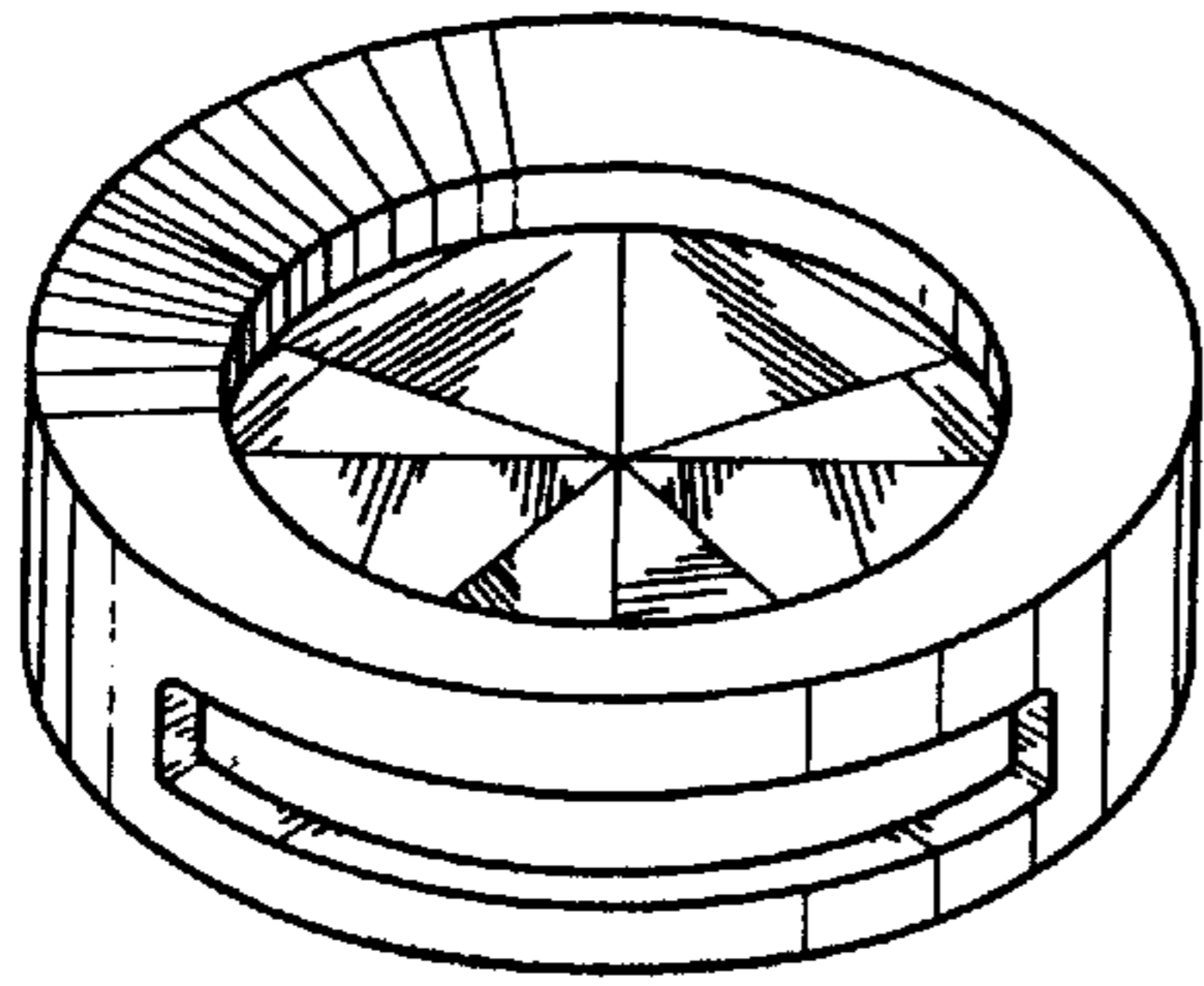


FIG. 33

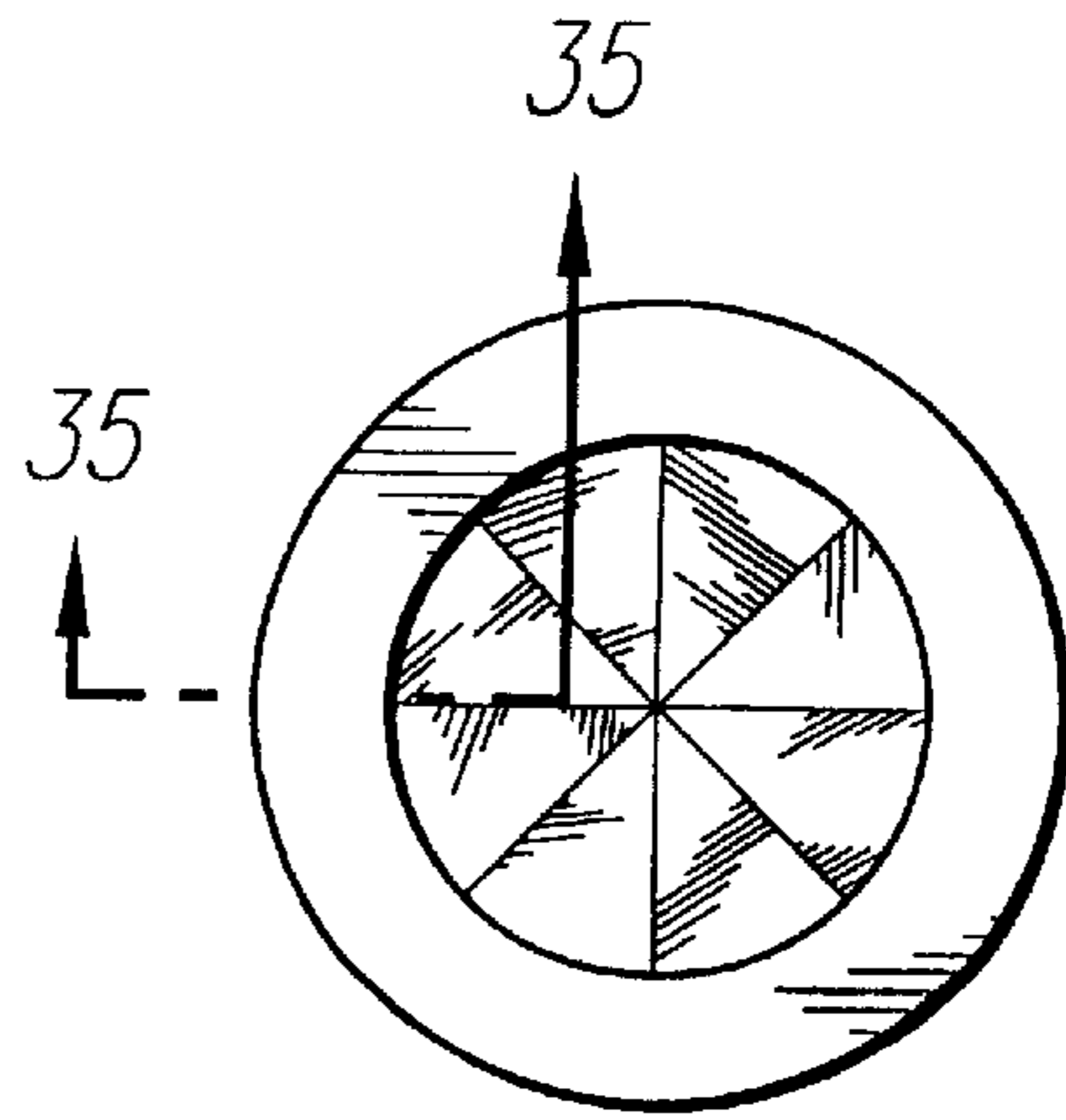


FIG. 34

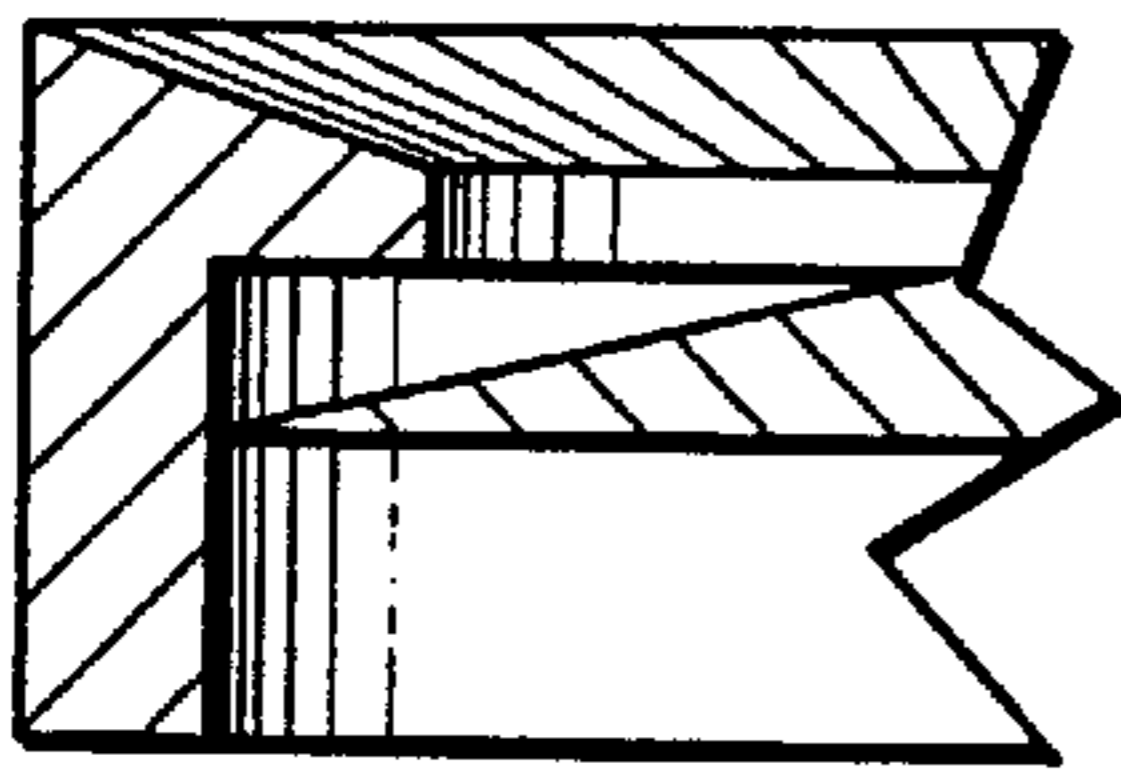


FIG. 35

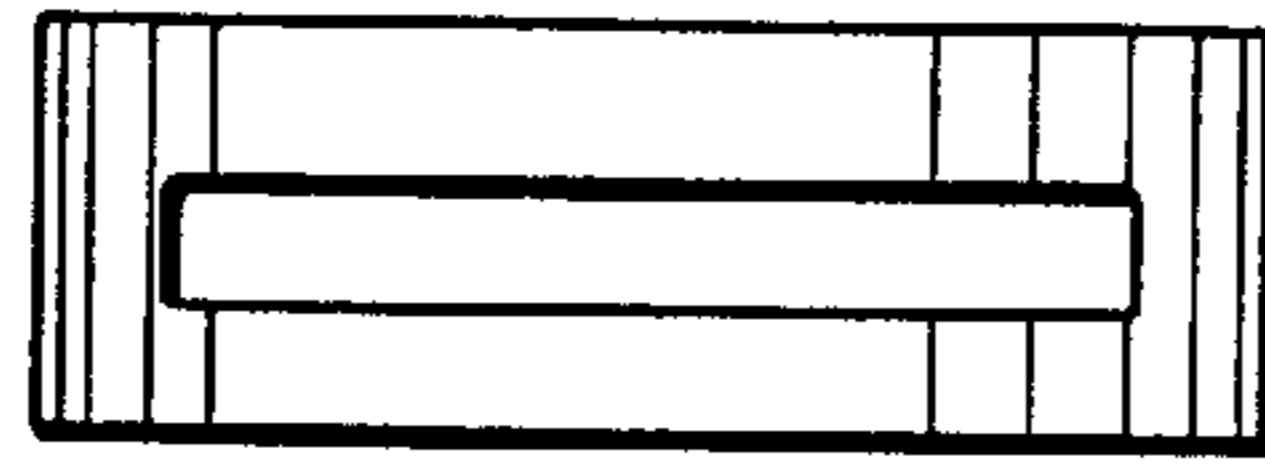


FIG. 36



FIG. 37

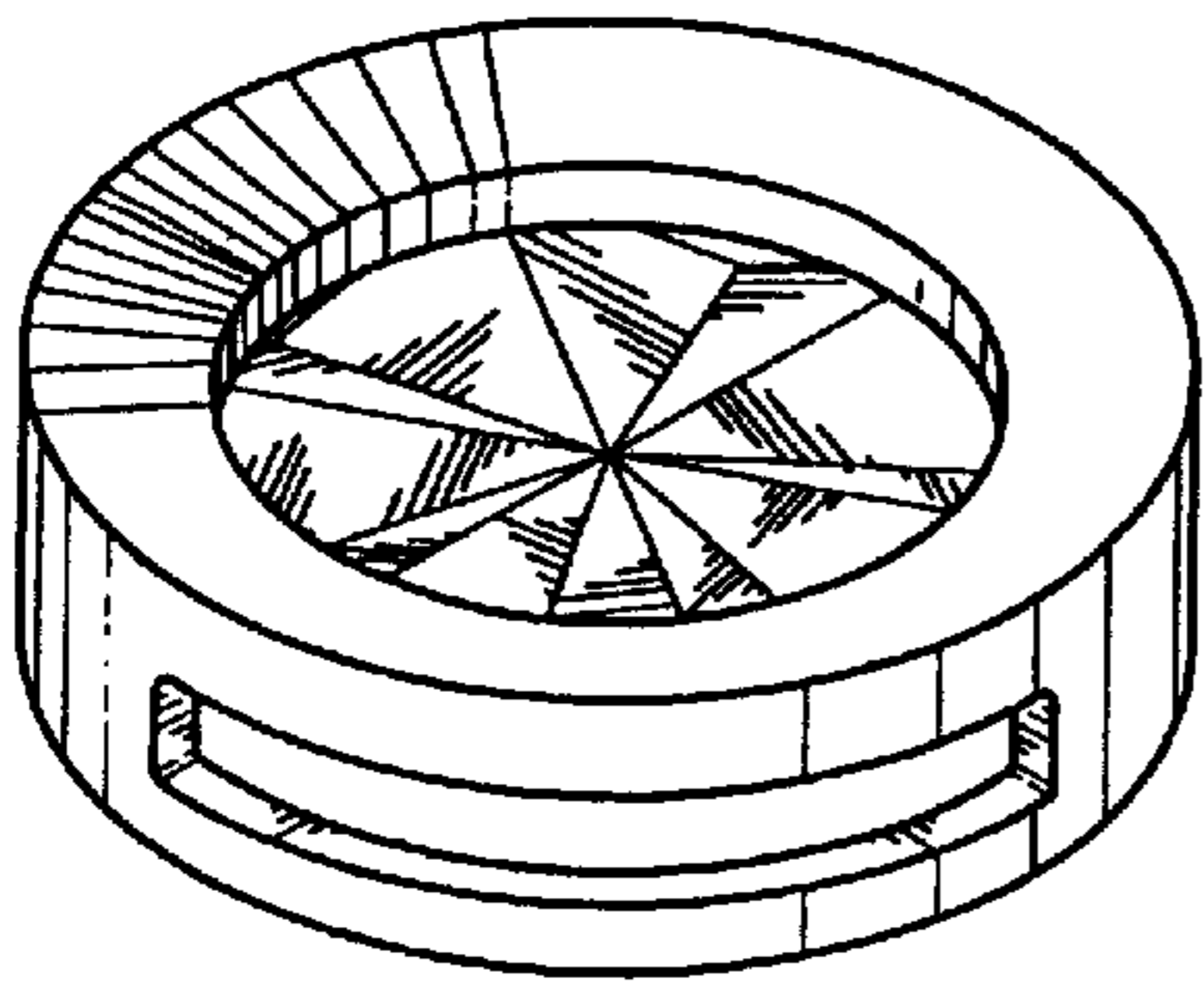


FIG. 38

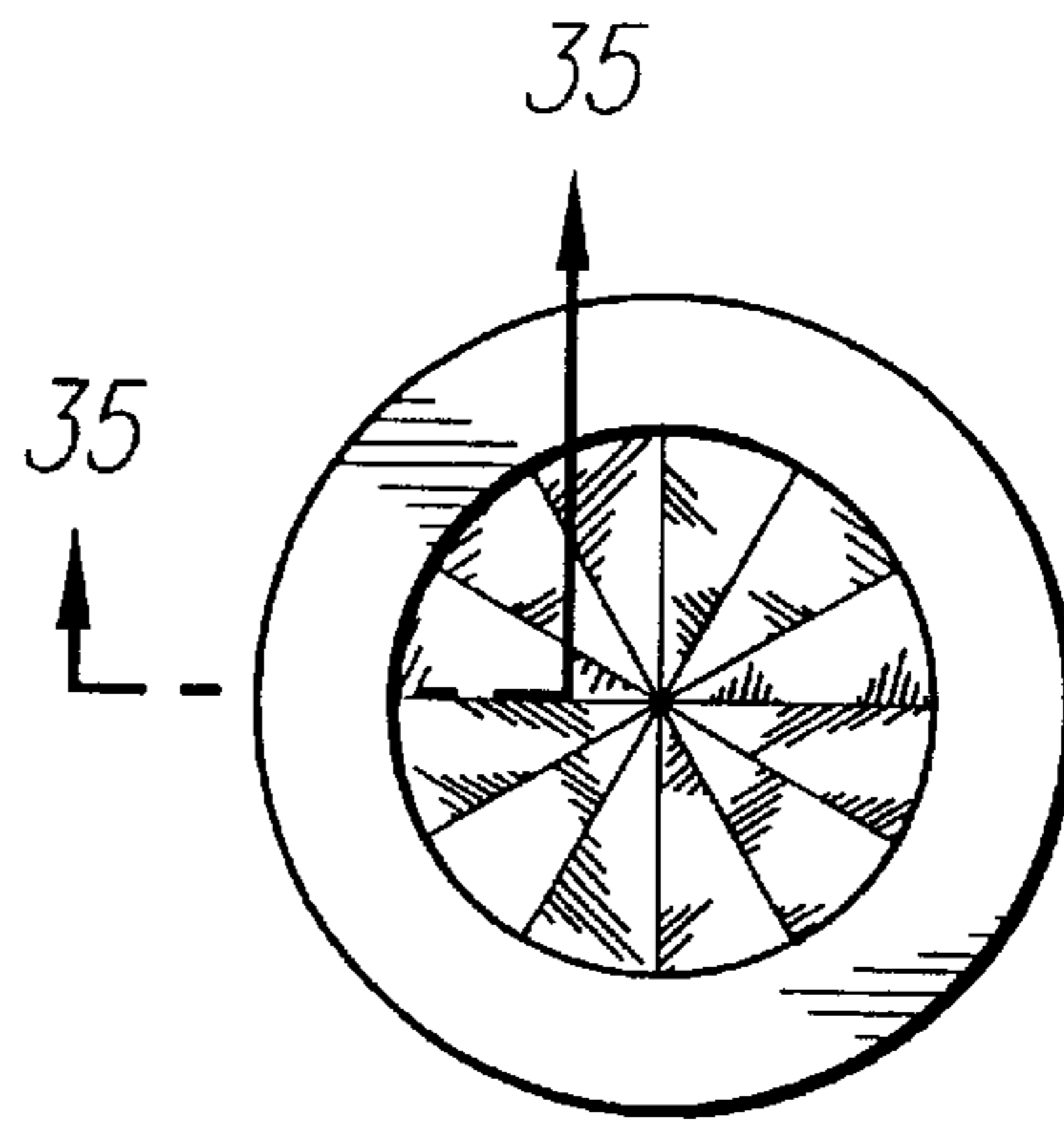


FIG. 39

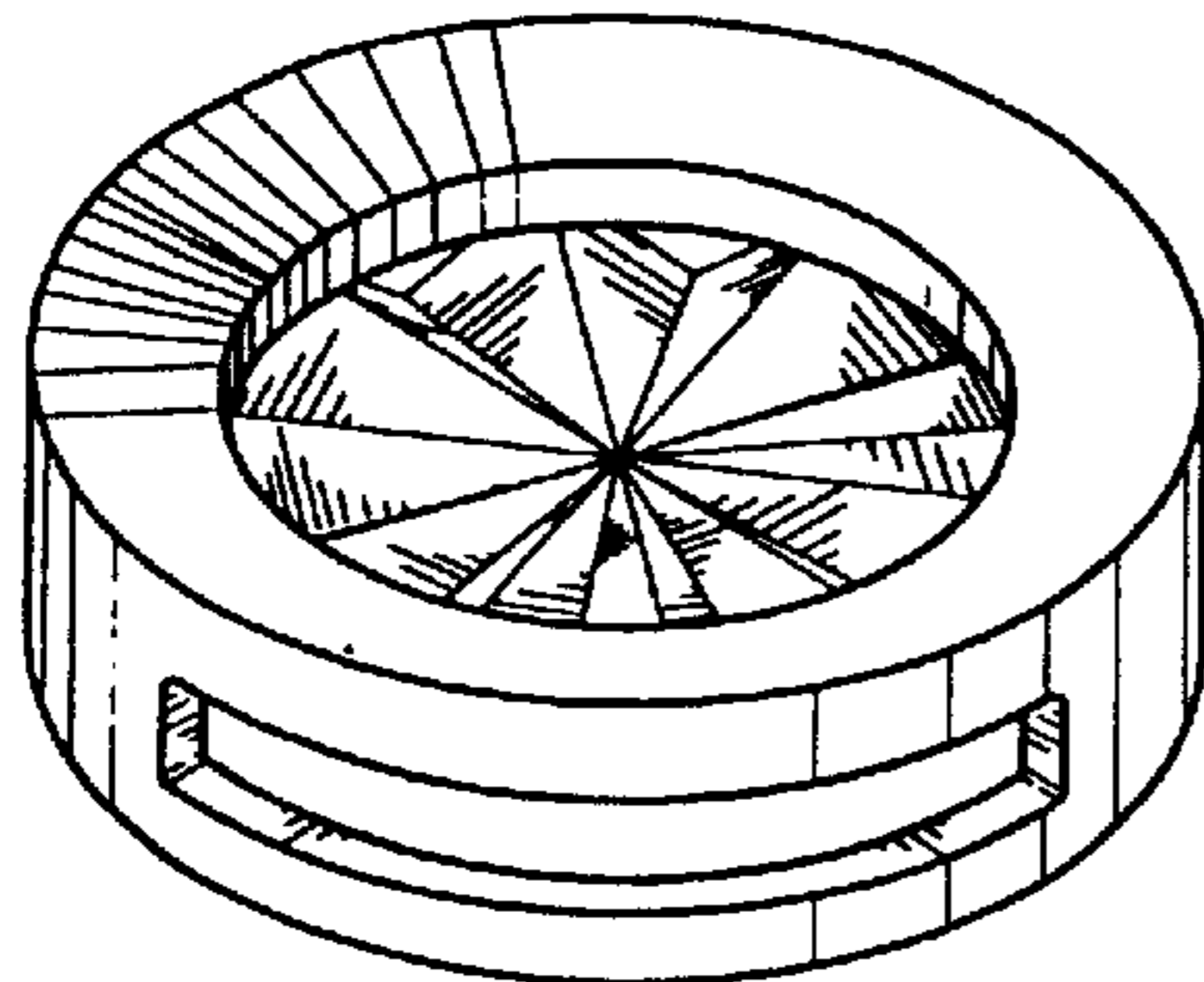


FIG. 40

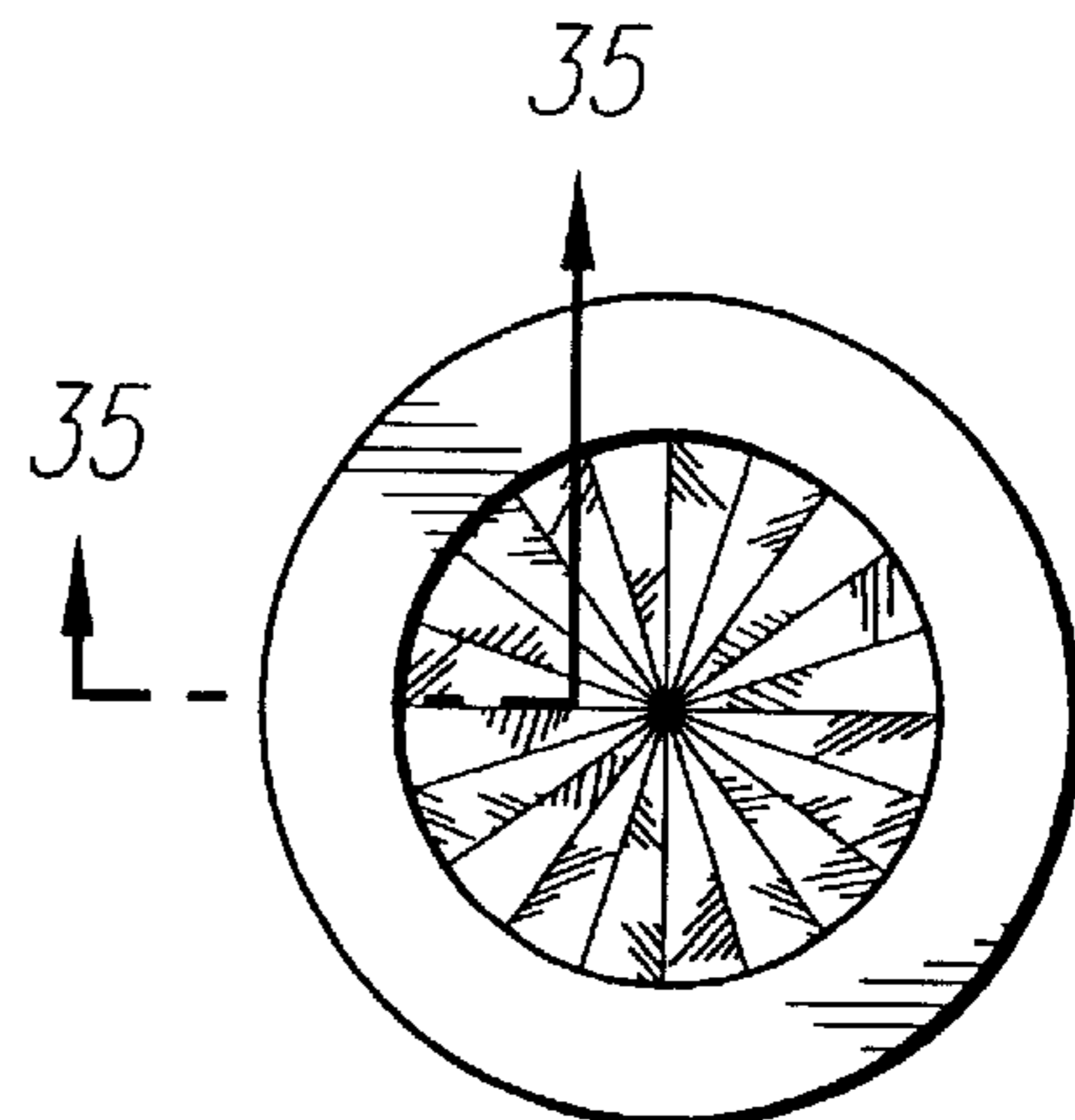


FIG. 41

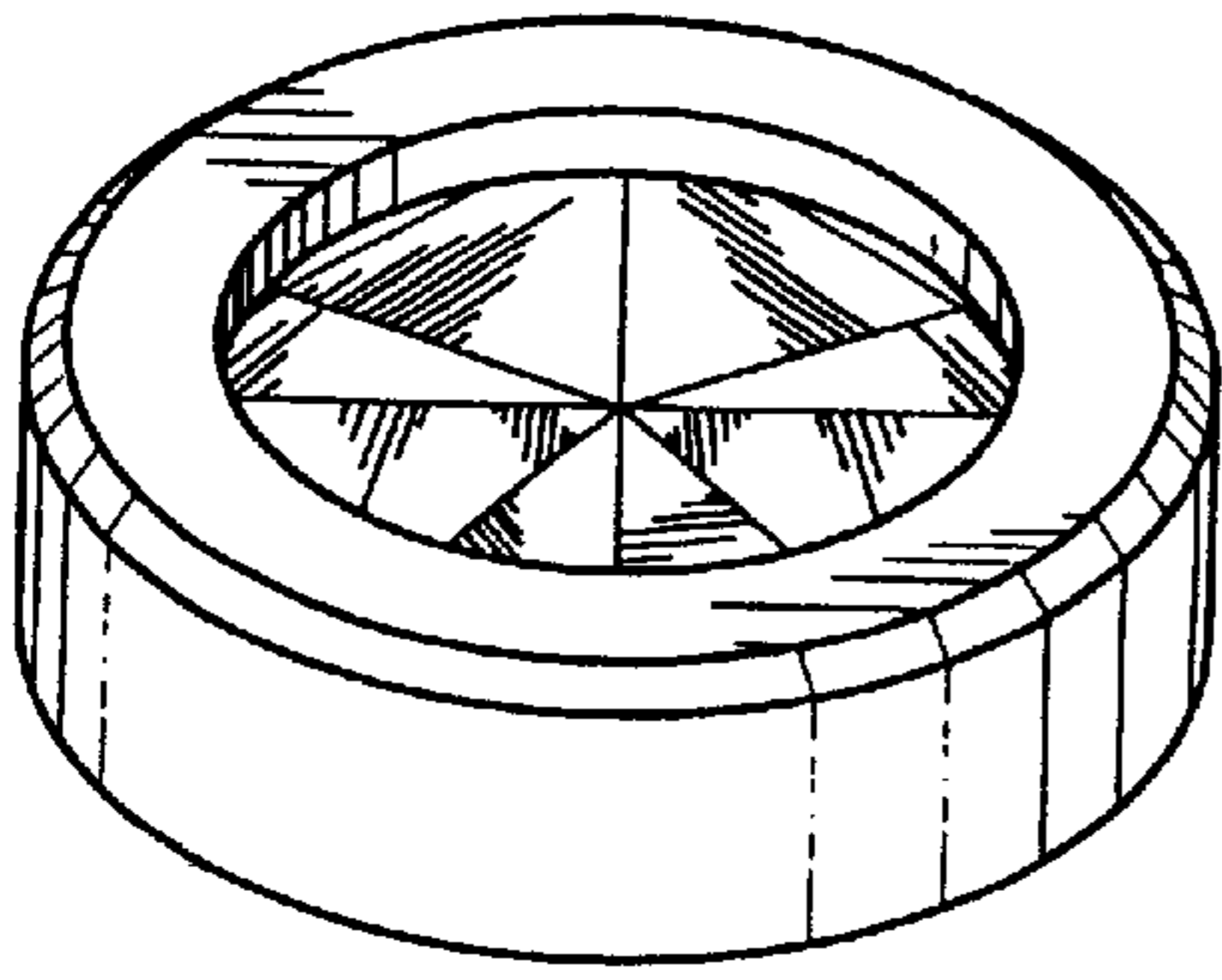


FIG. 42

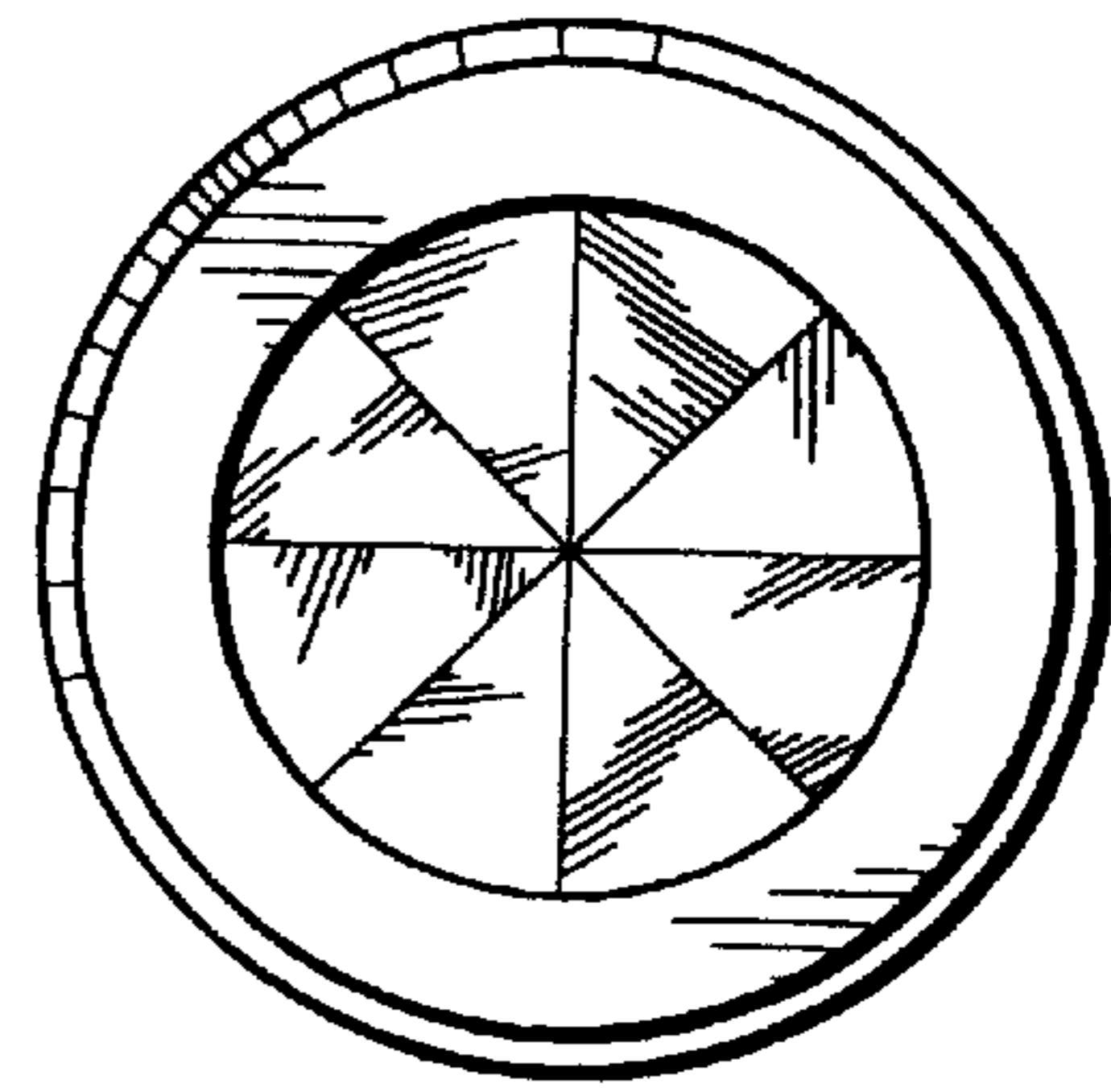


FIG. 43

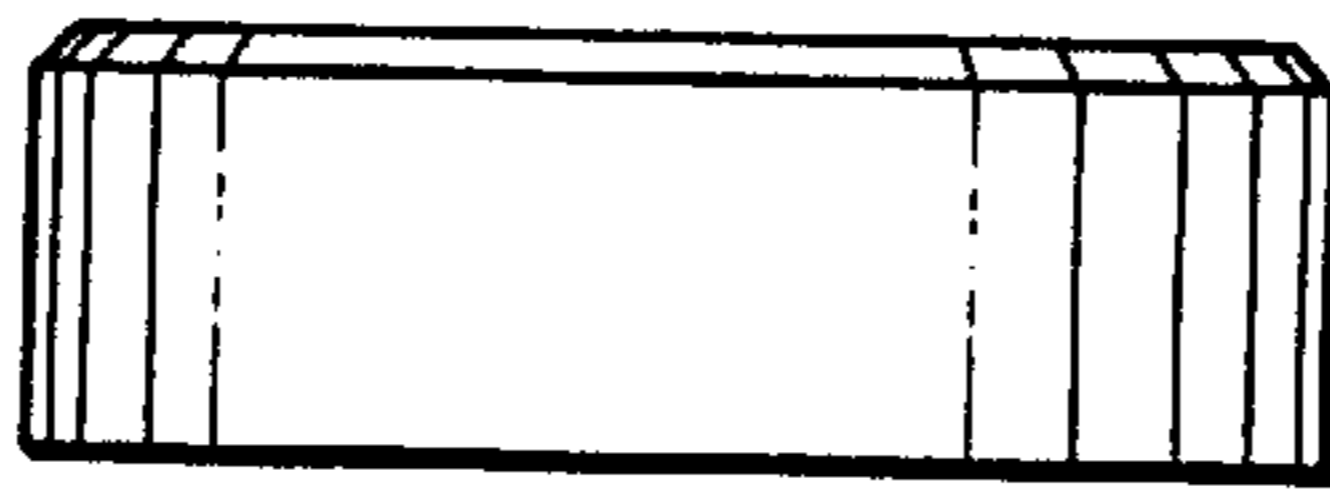


FIG. 44

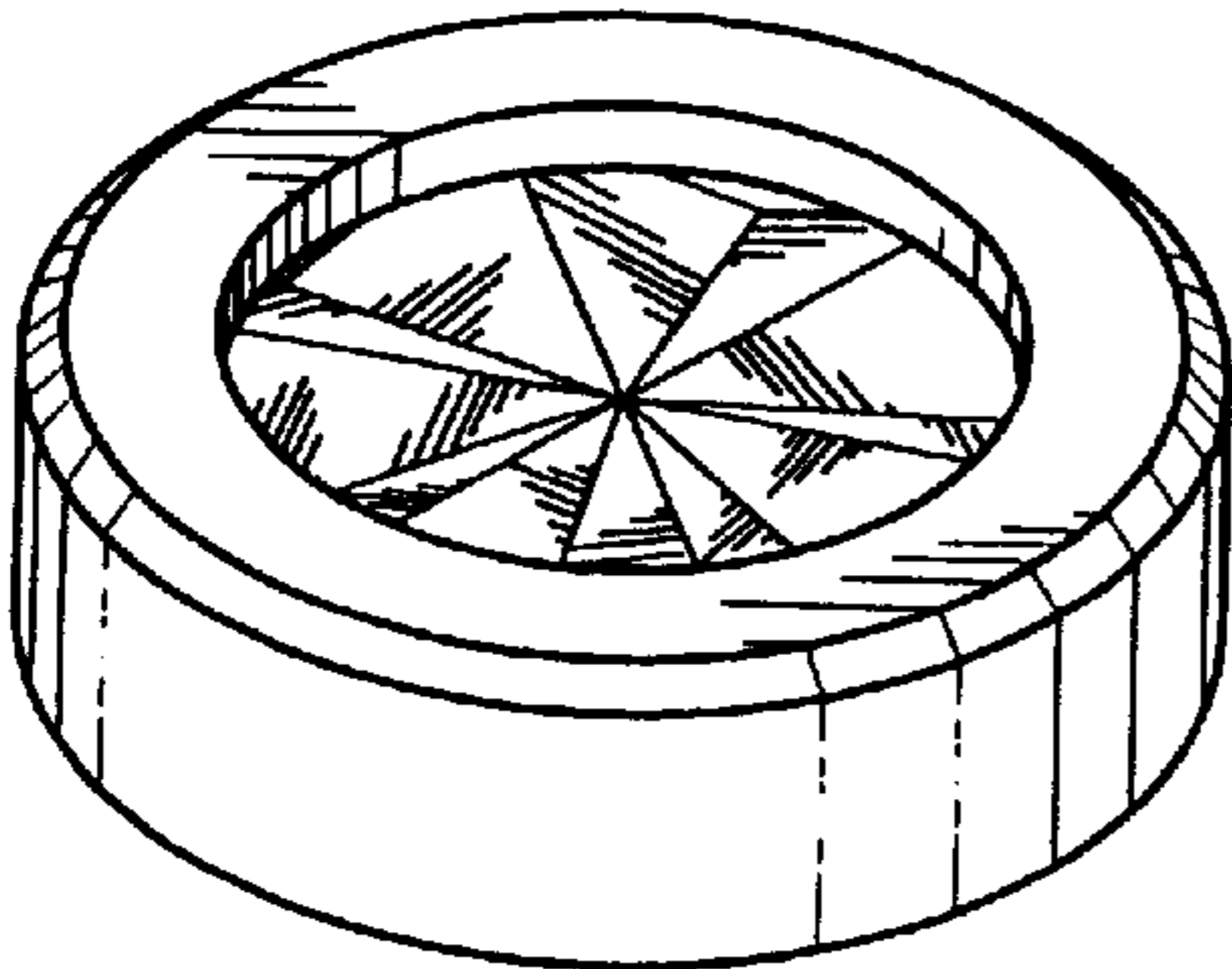


FIG. 45

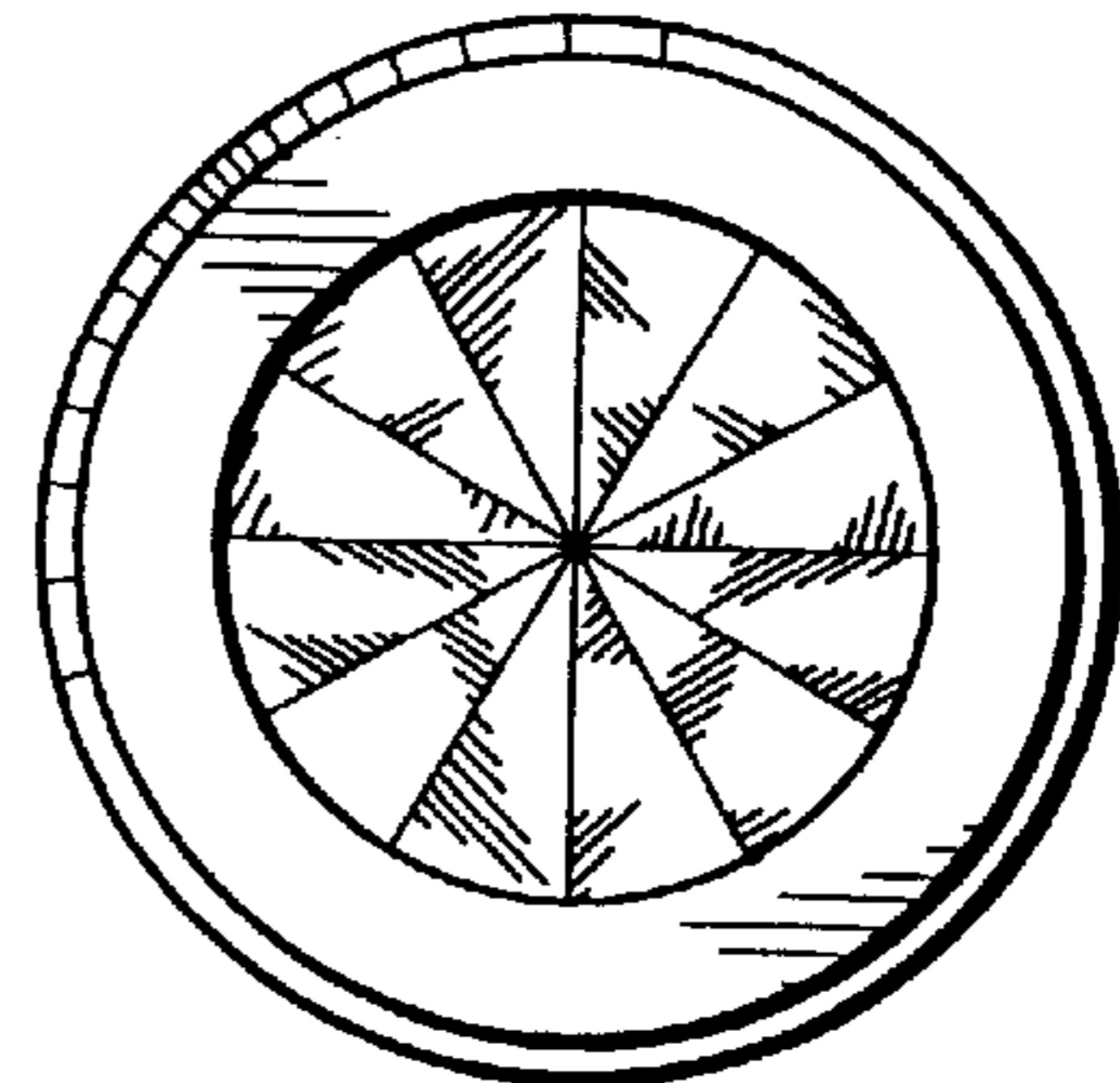


FIG. 46

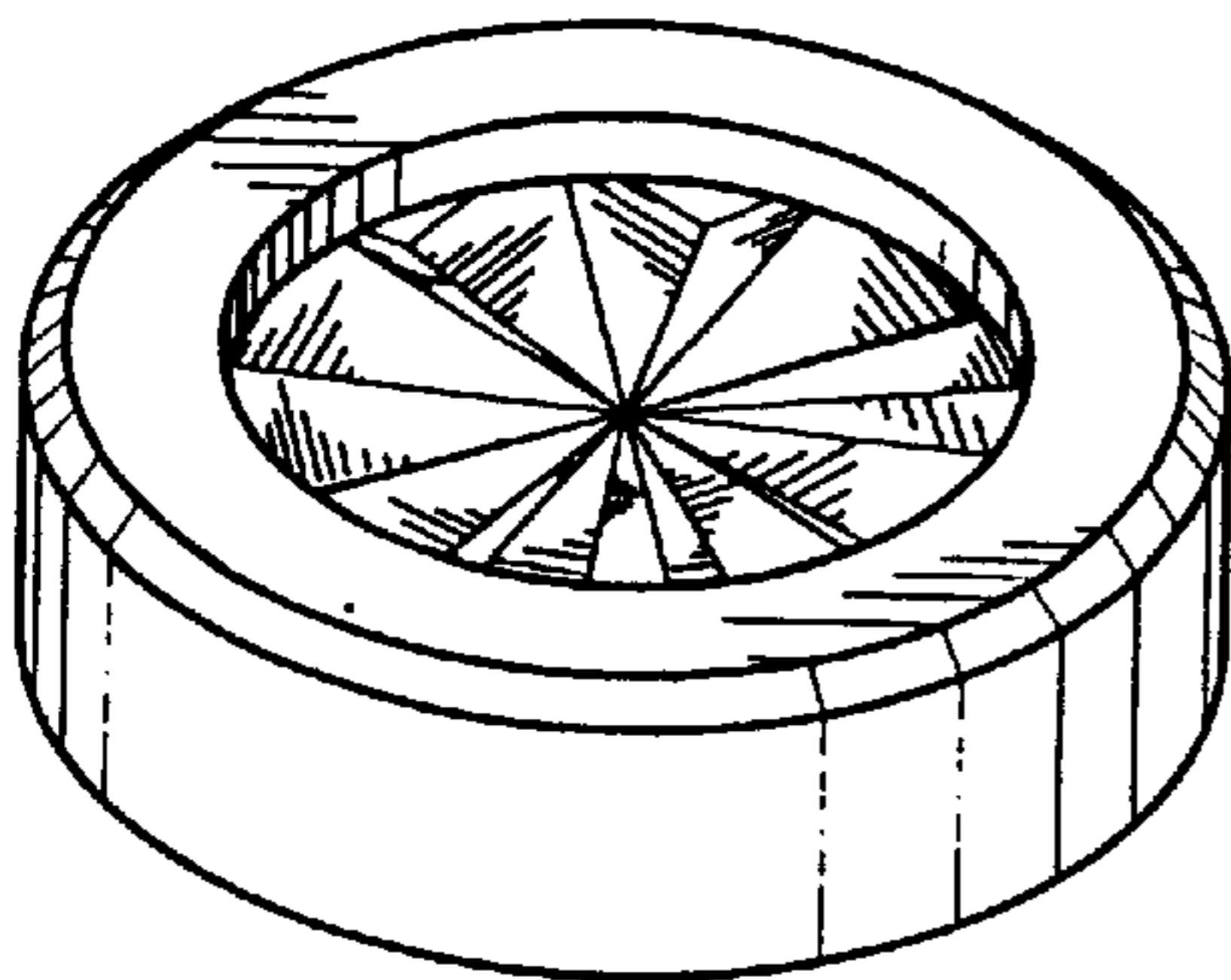


FIG. 47

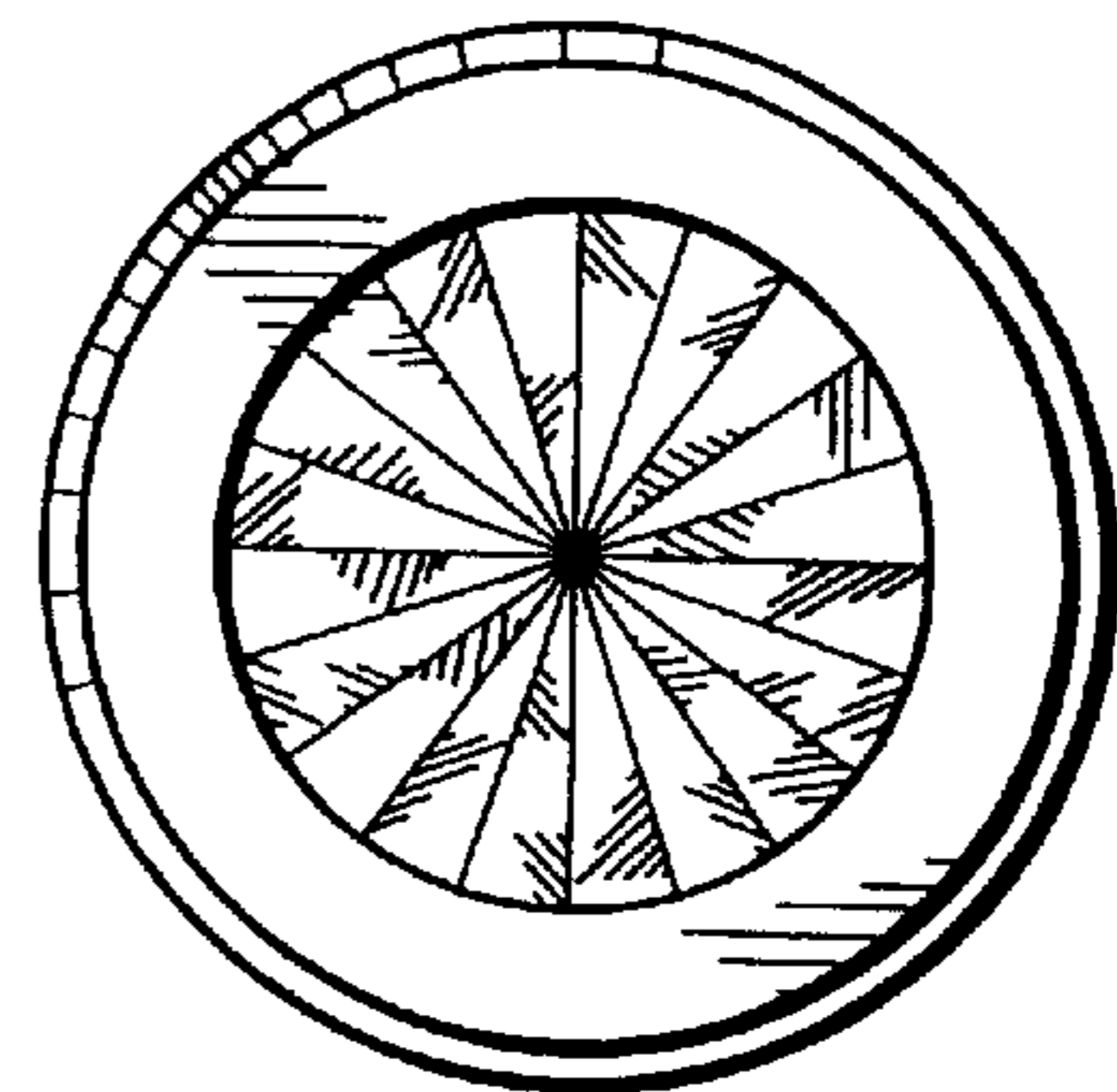


FIG. 48

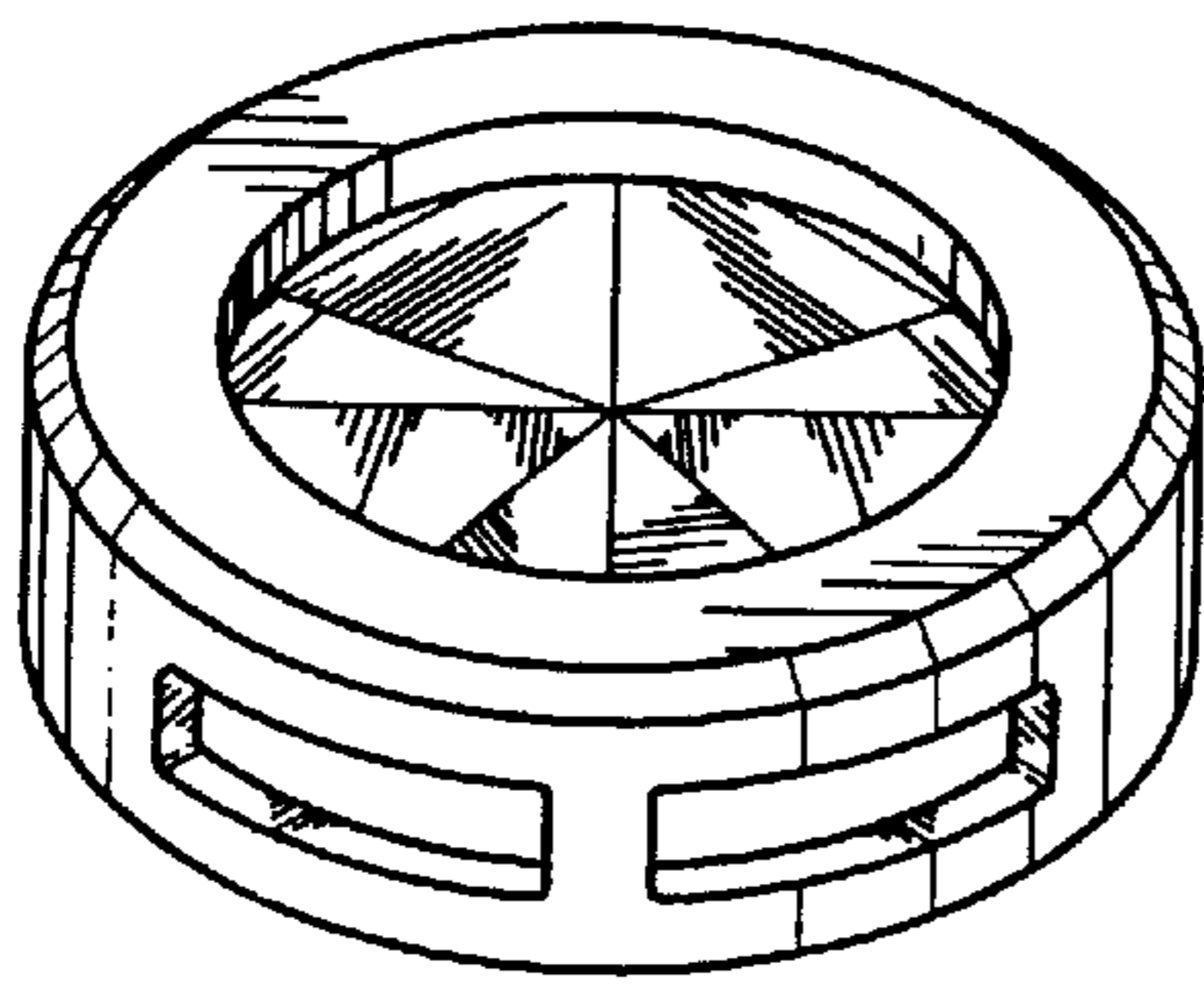


FIG. 49

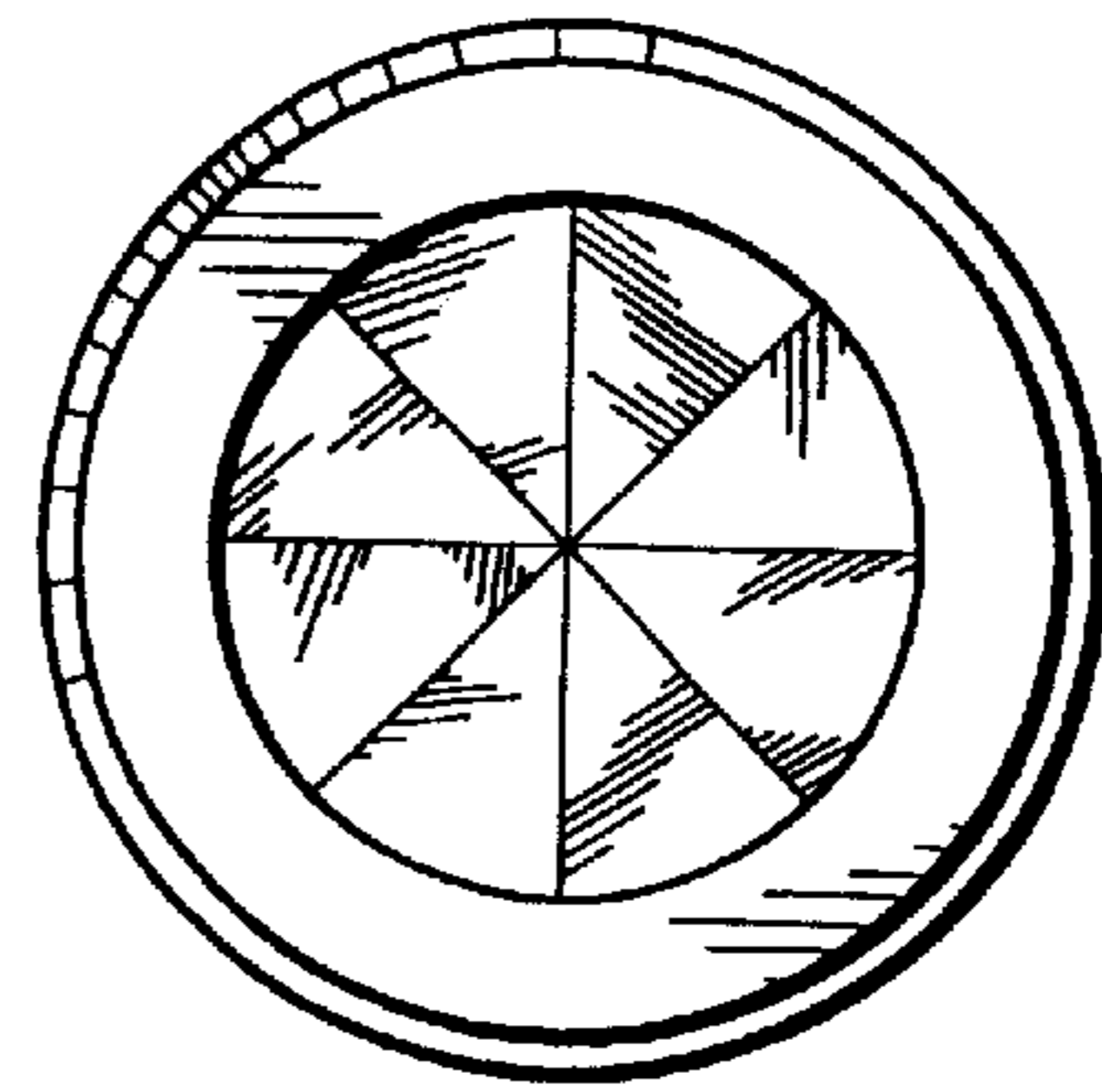


FIG. 50



FIG. 51

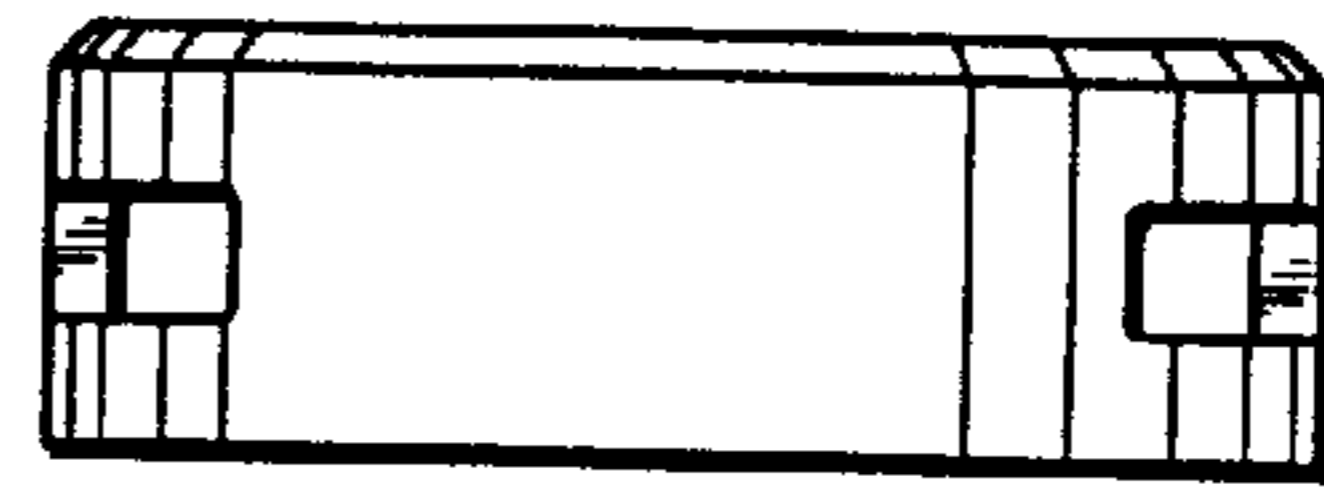


FIG. 52

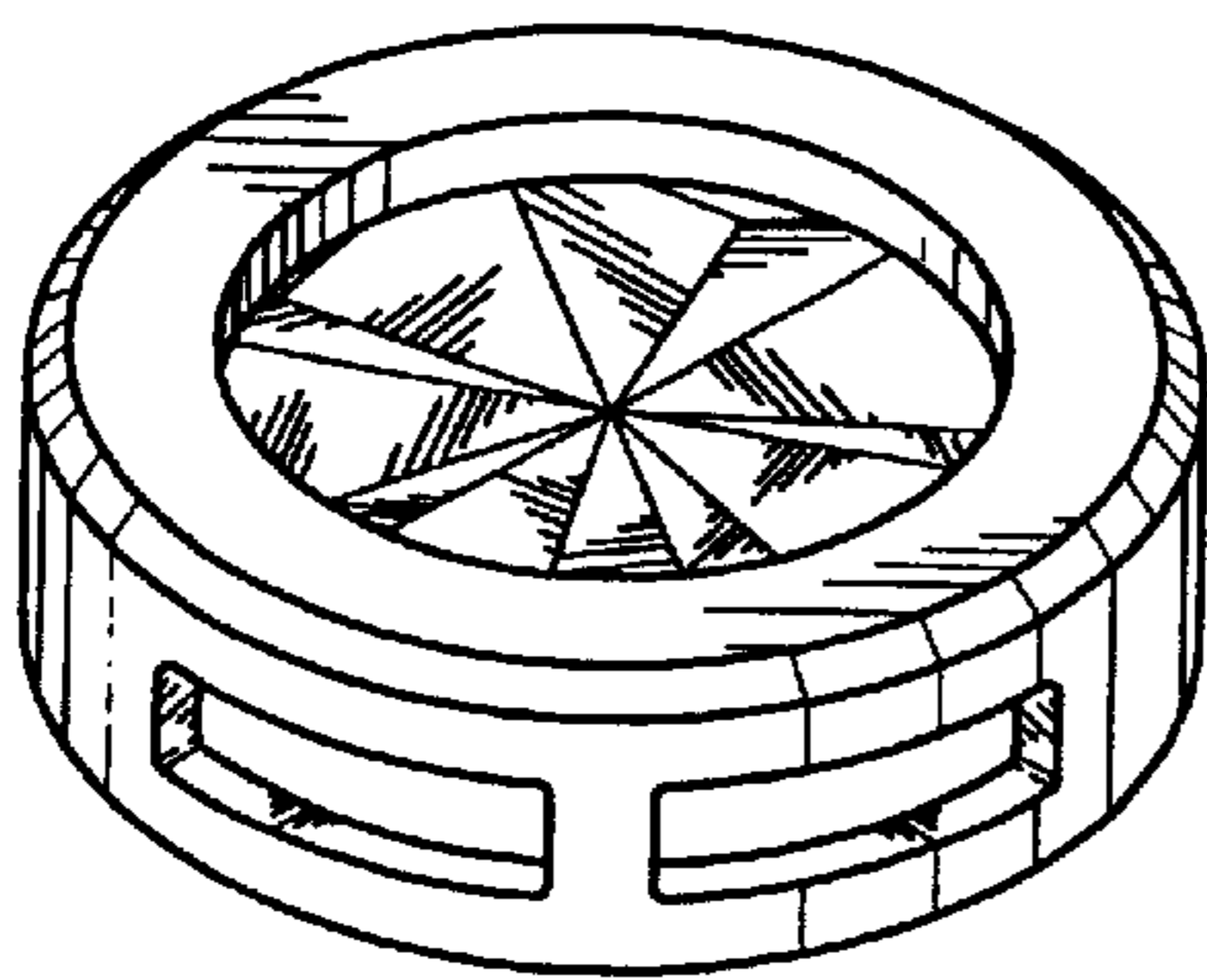


FIG. 53

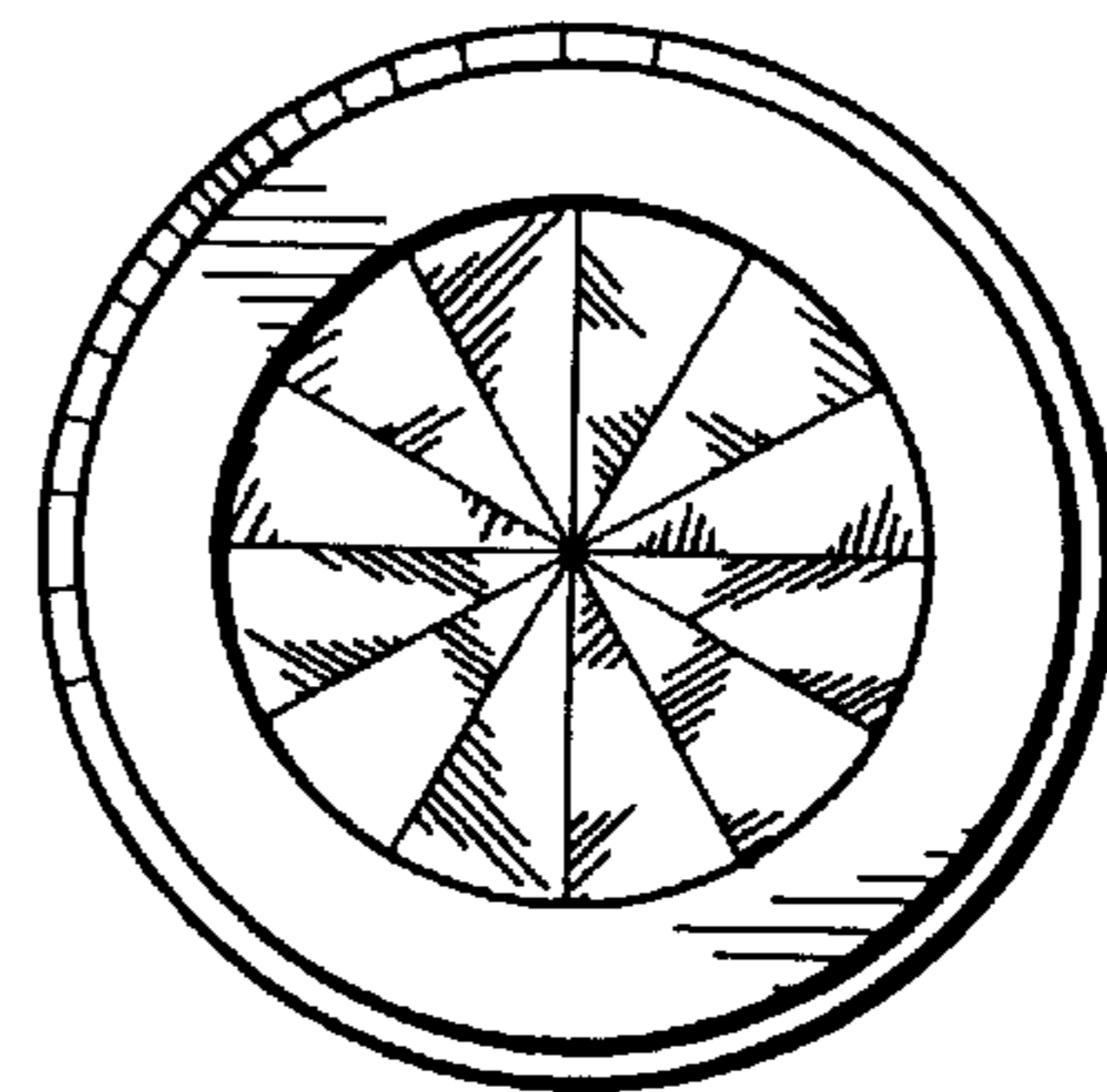


FIG. 54

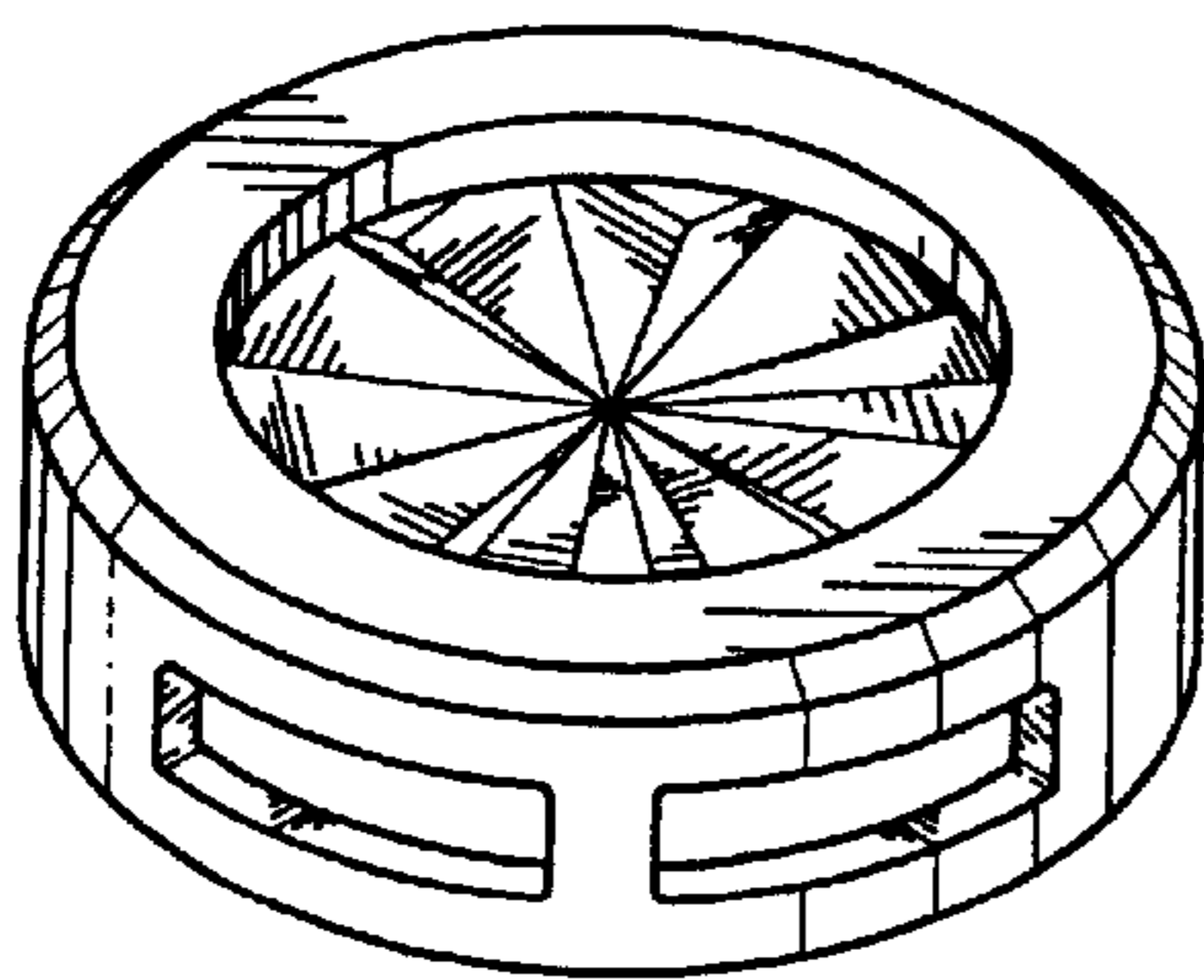


FIG. 55

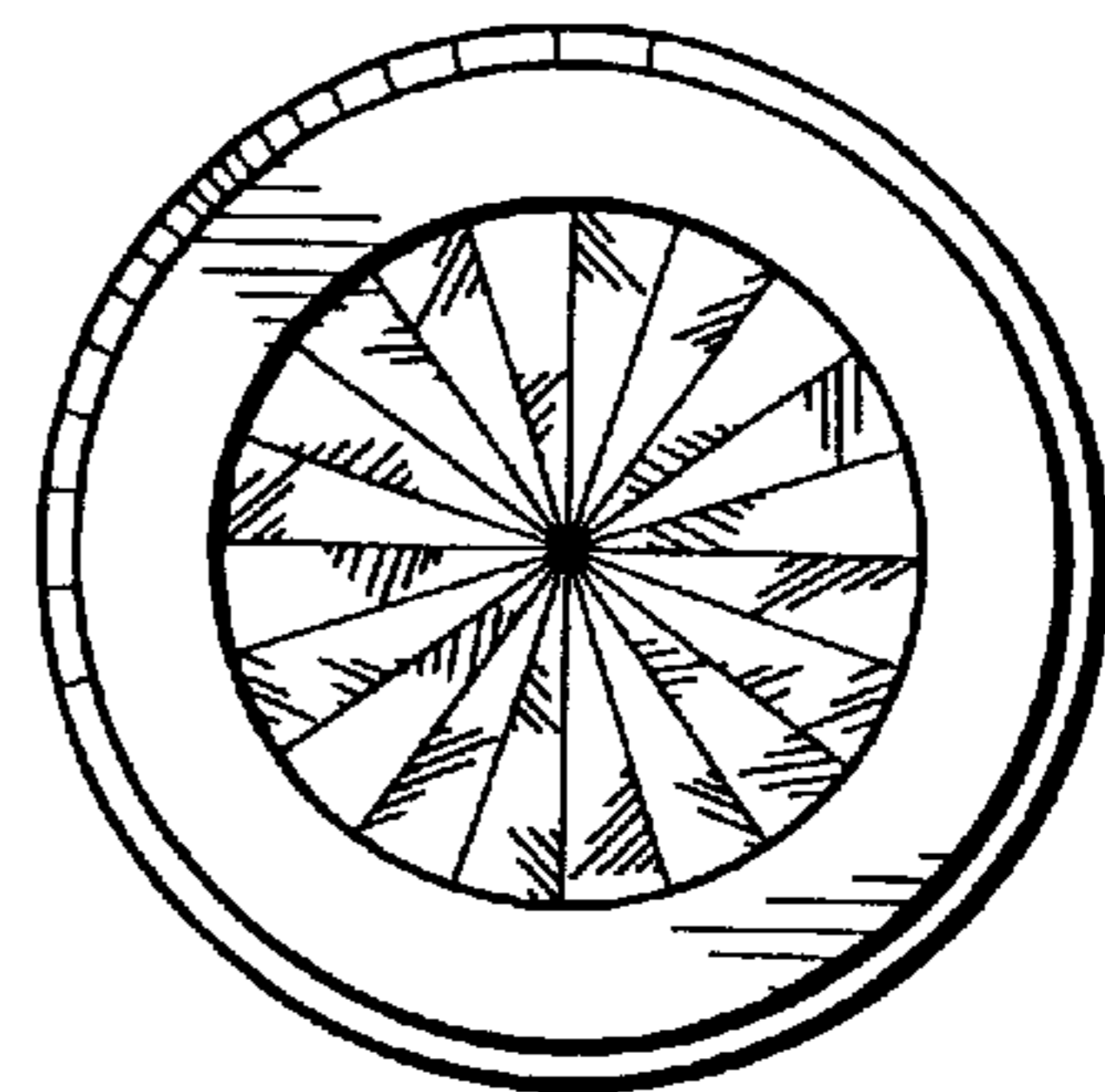


FIG. 56

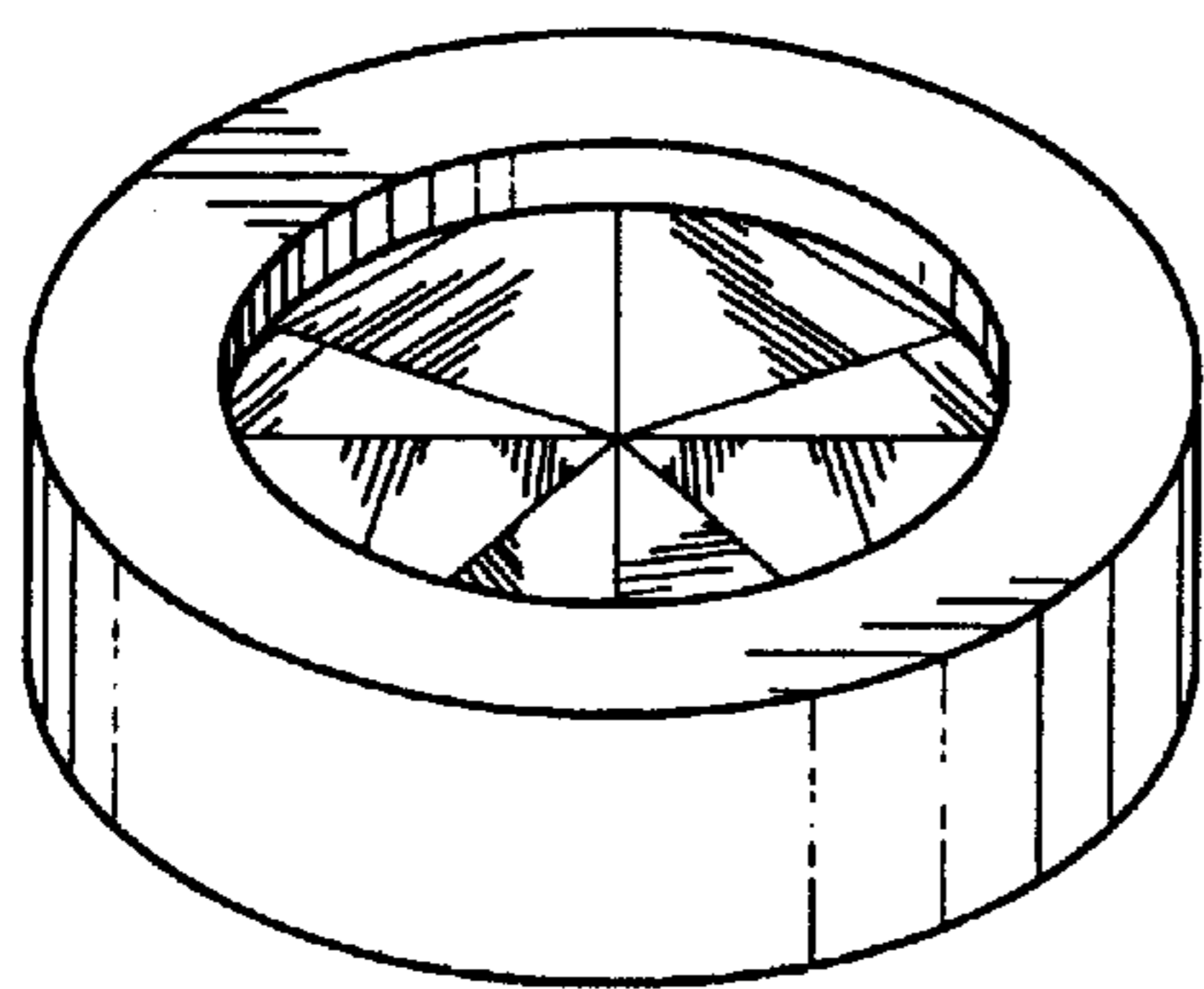


FIG. 57

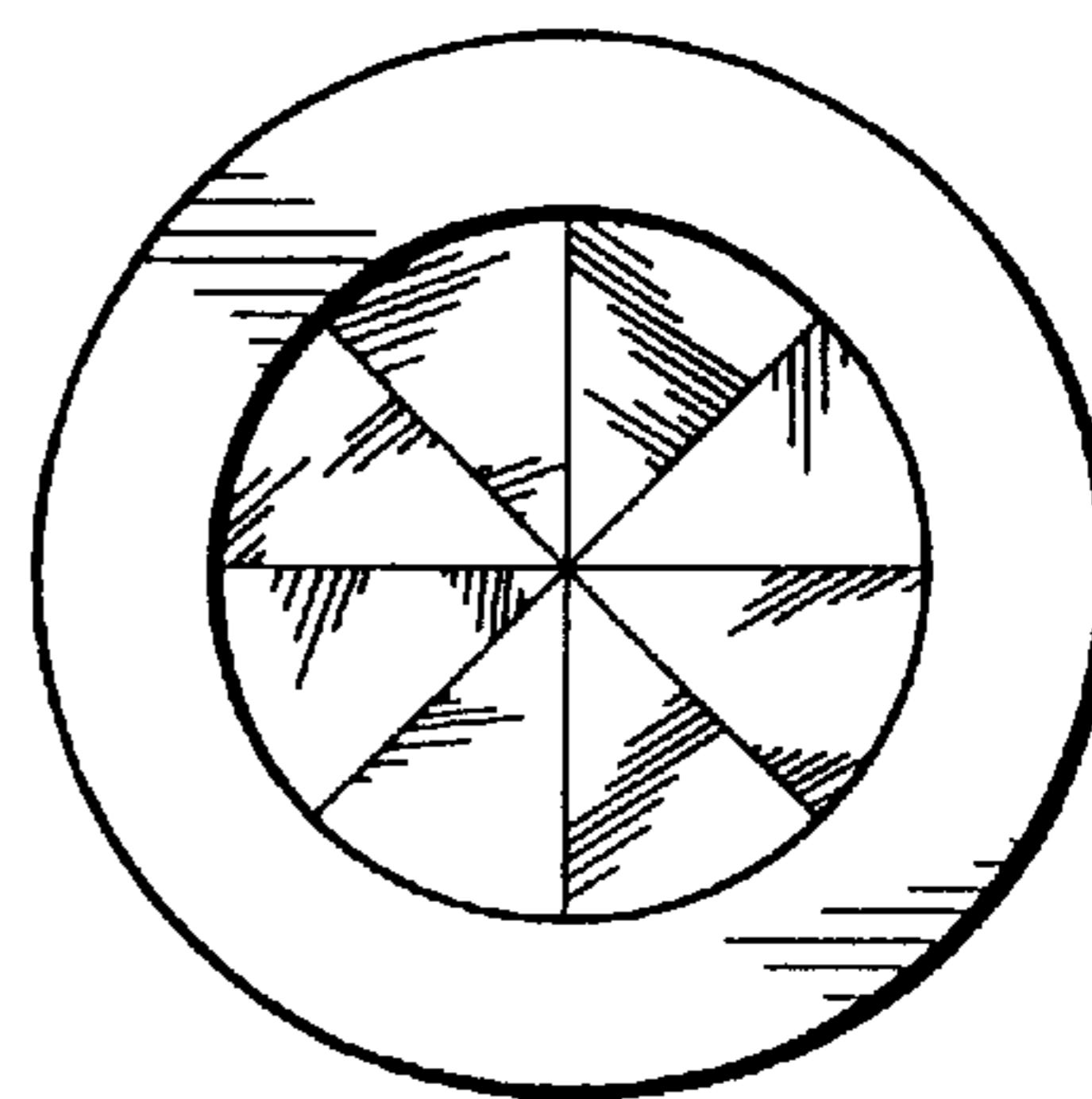


FIG. 58



FIG. 59

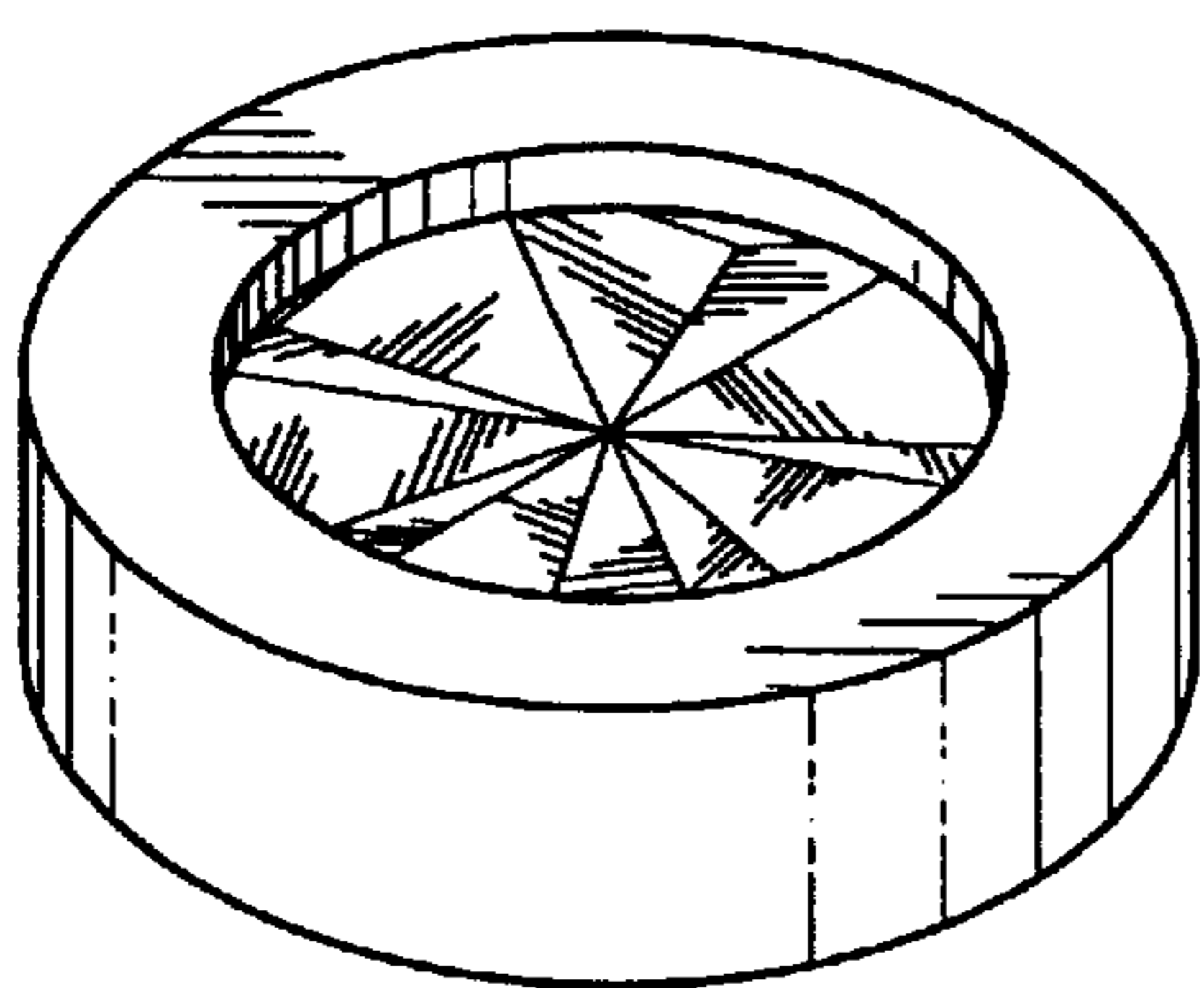


FIG. 60

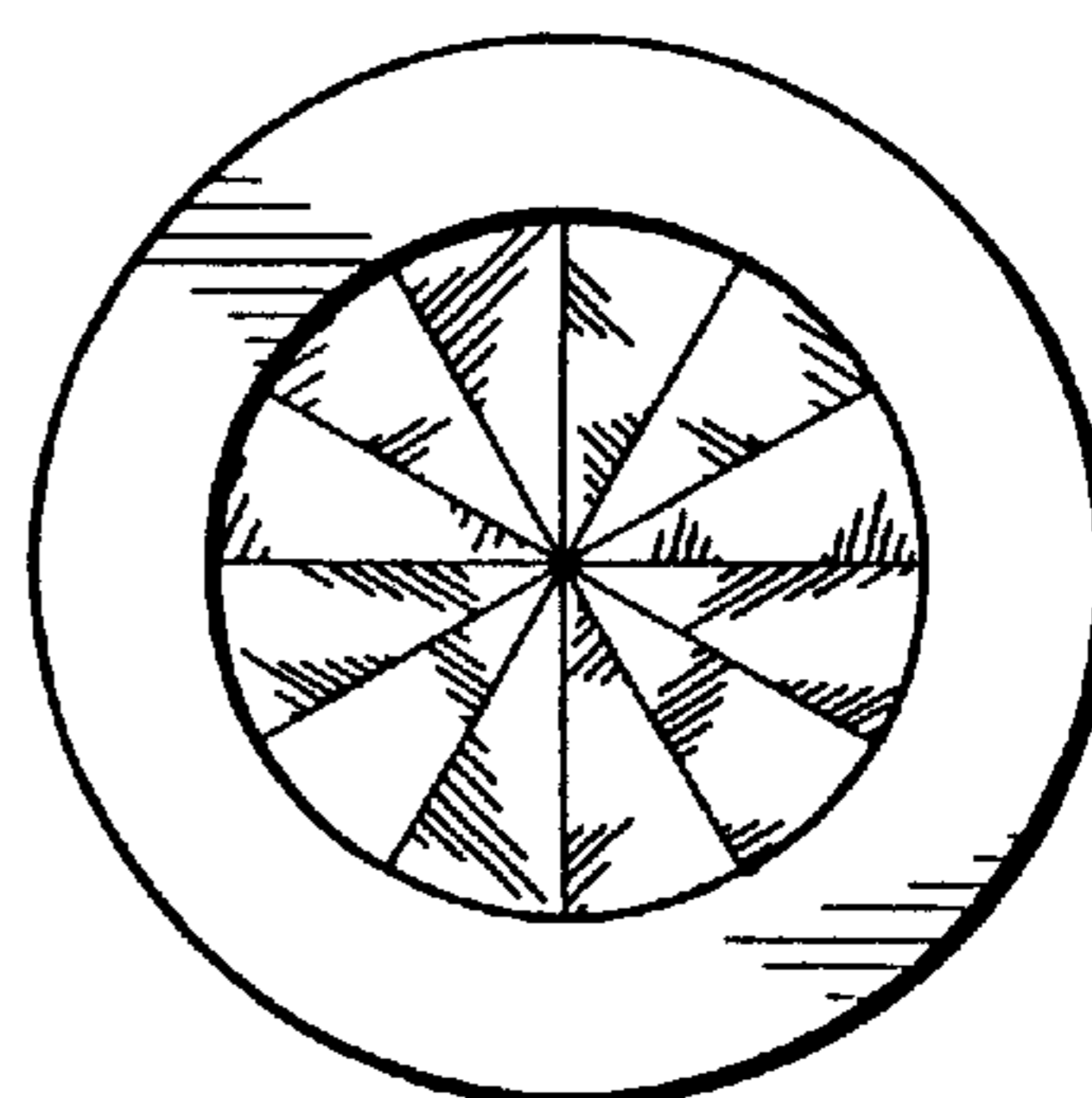


FIG. 61

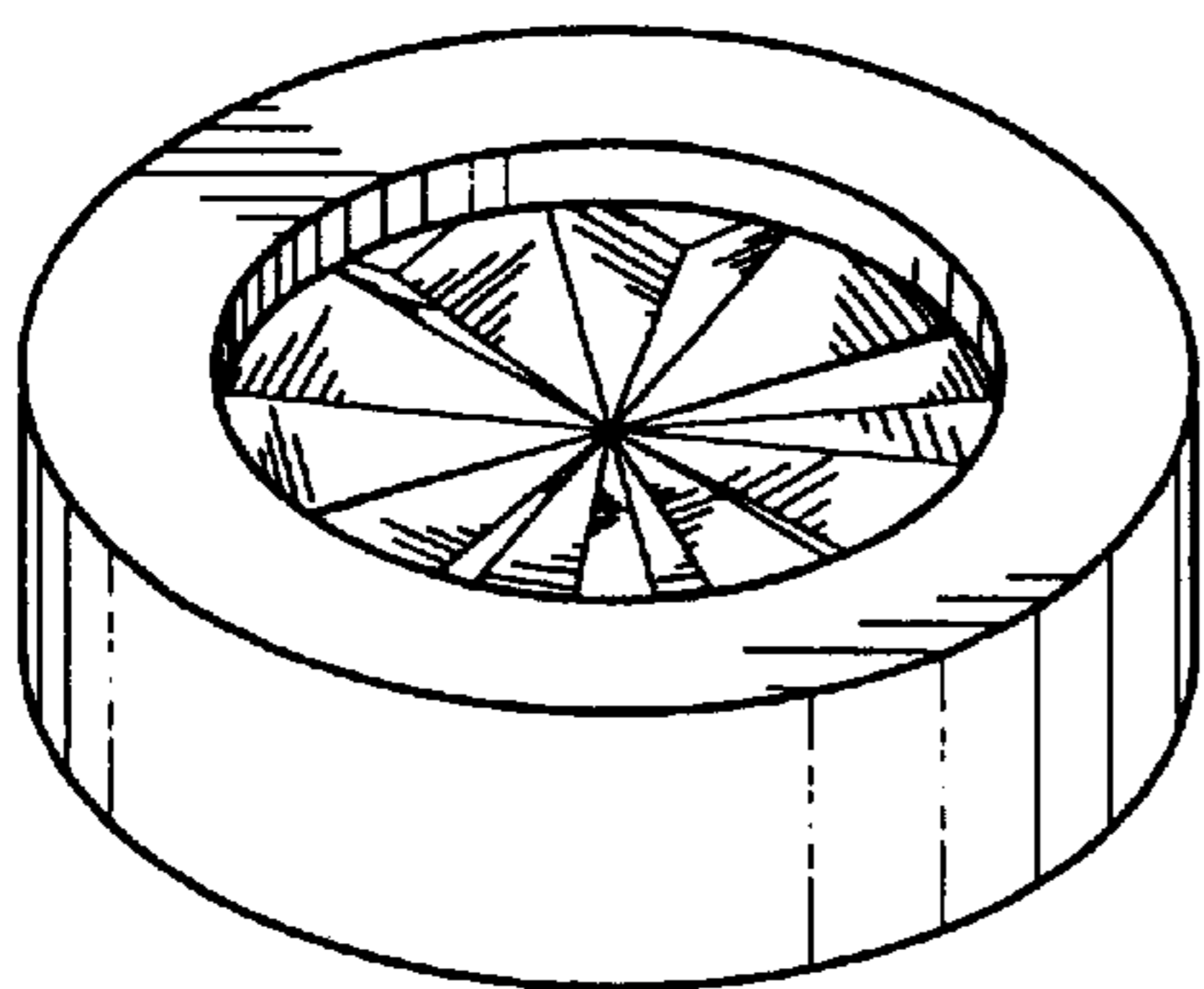


FIG. 62

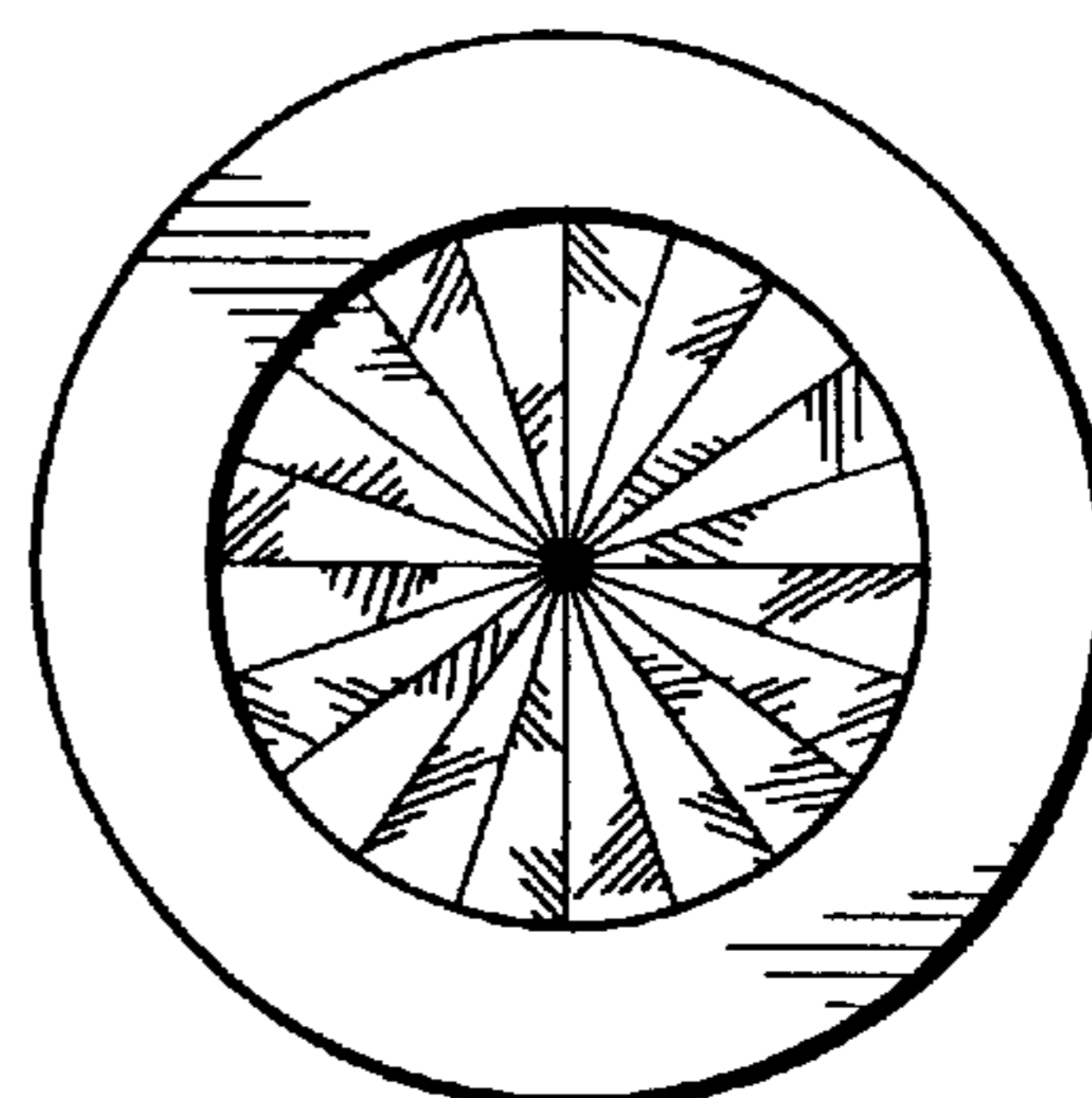


FIG. 63

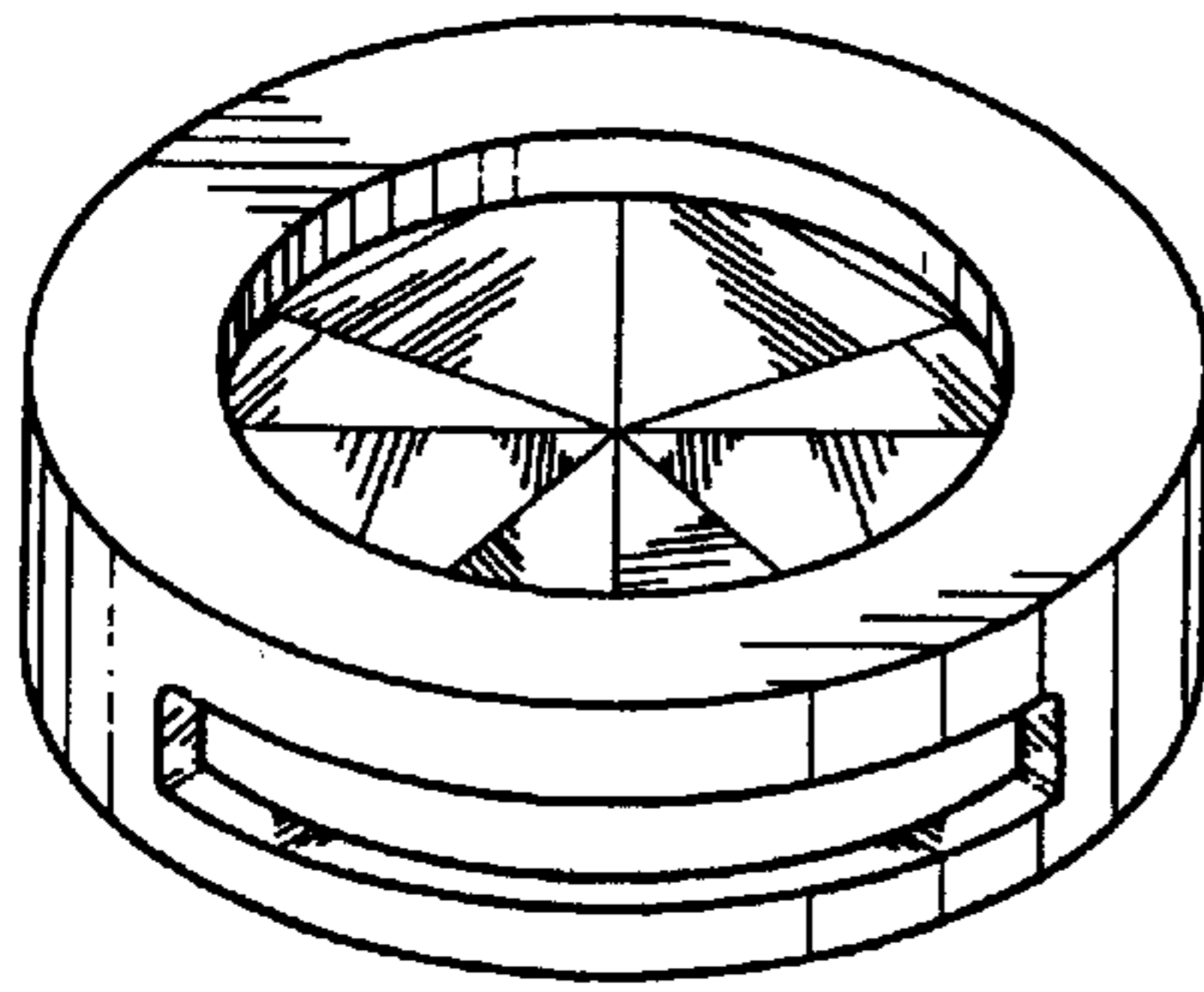


FIG. 64

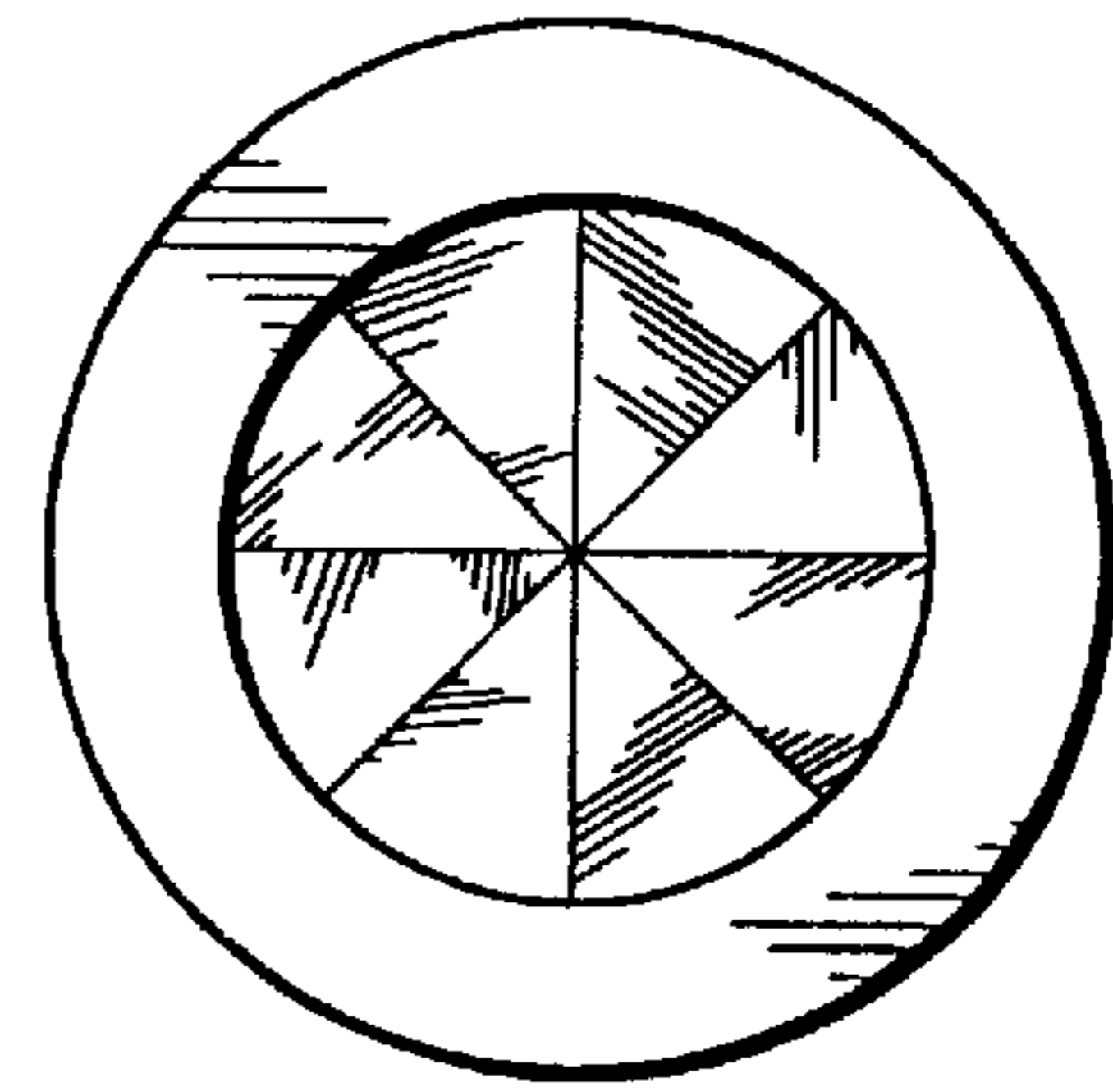


FIG. 65

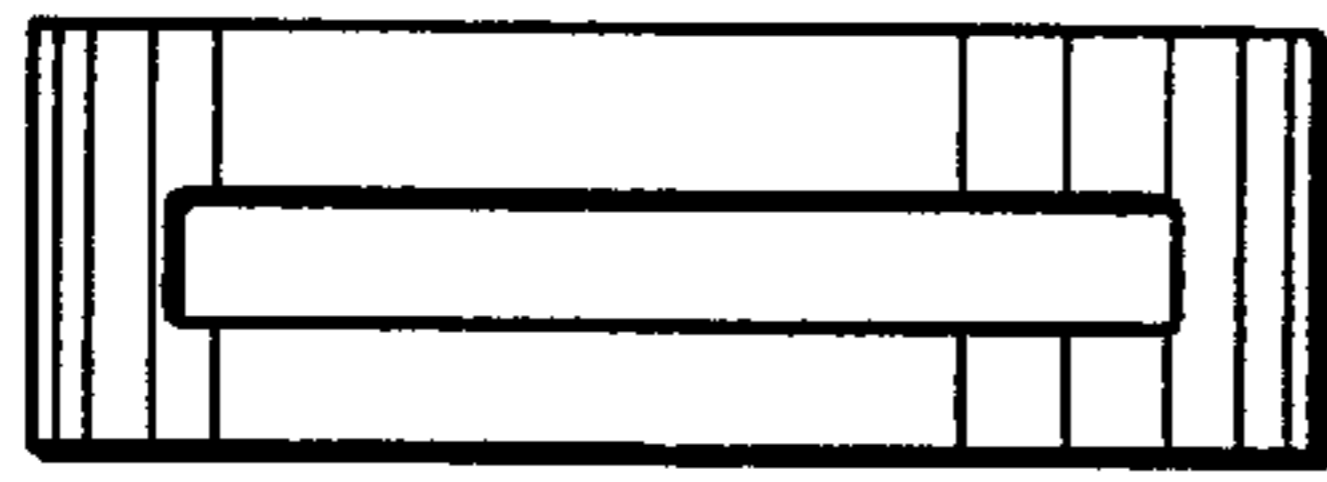


FIG. 66



FIG. 67

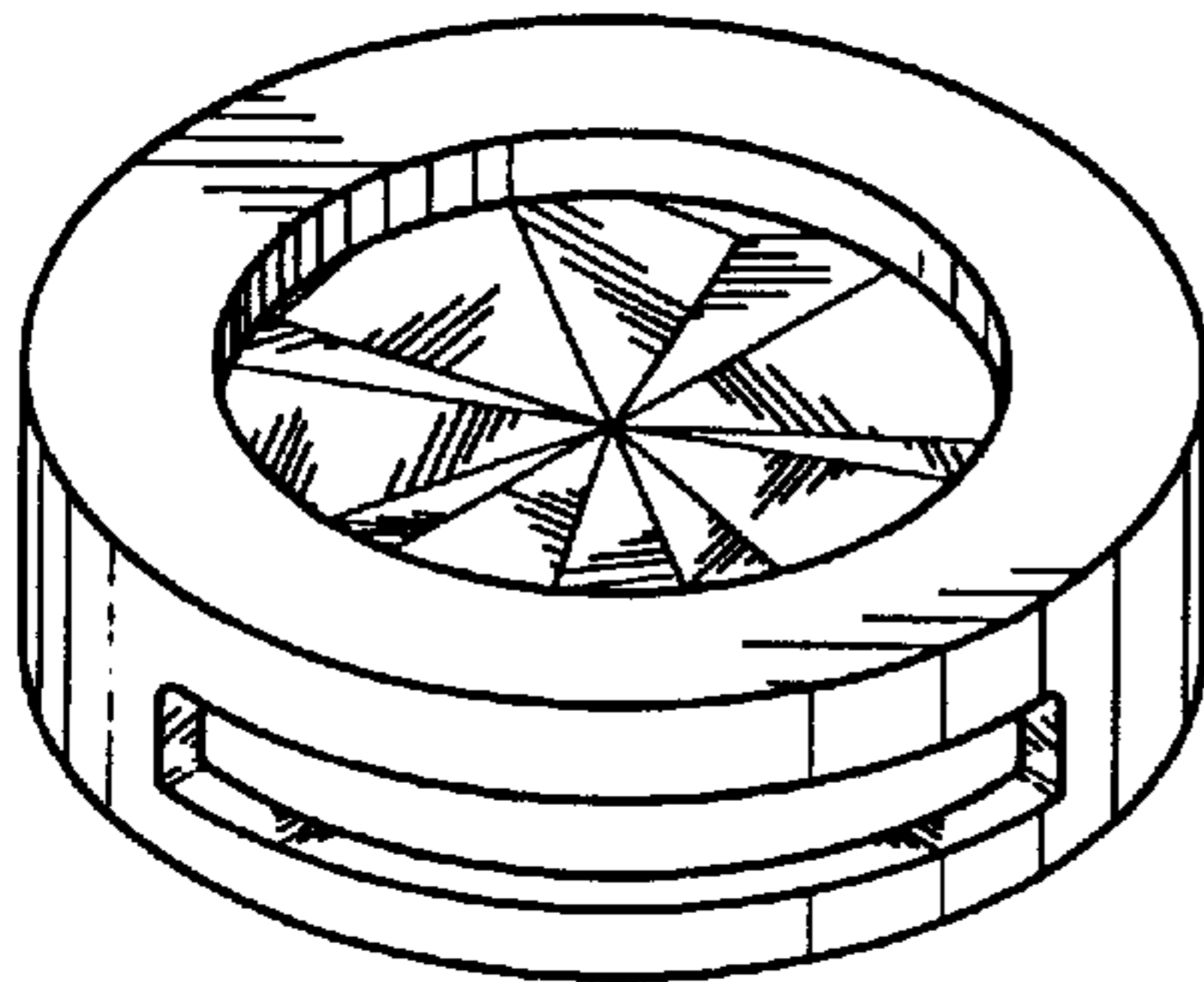


FIG. 68

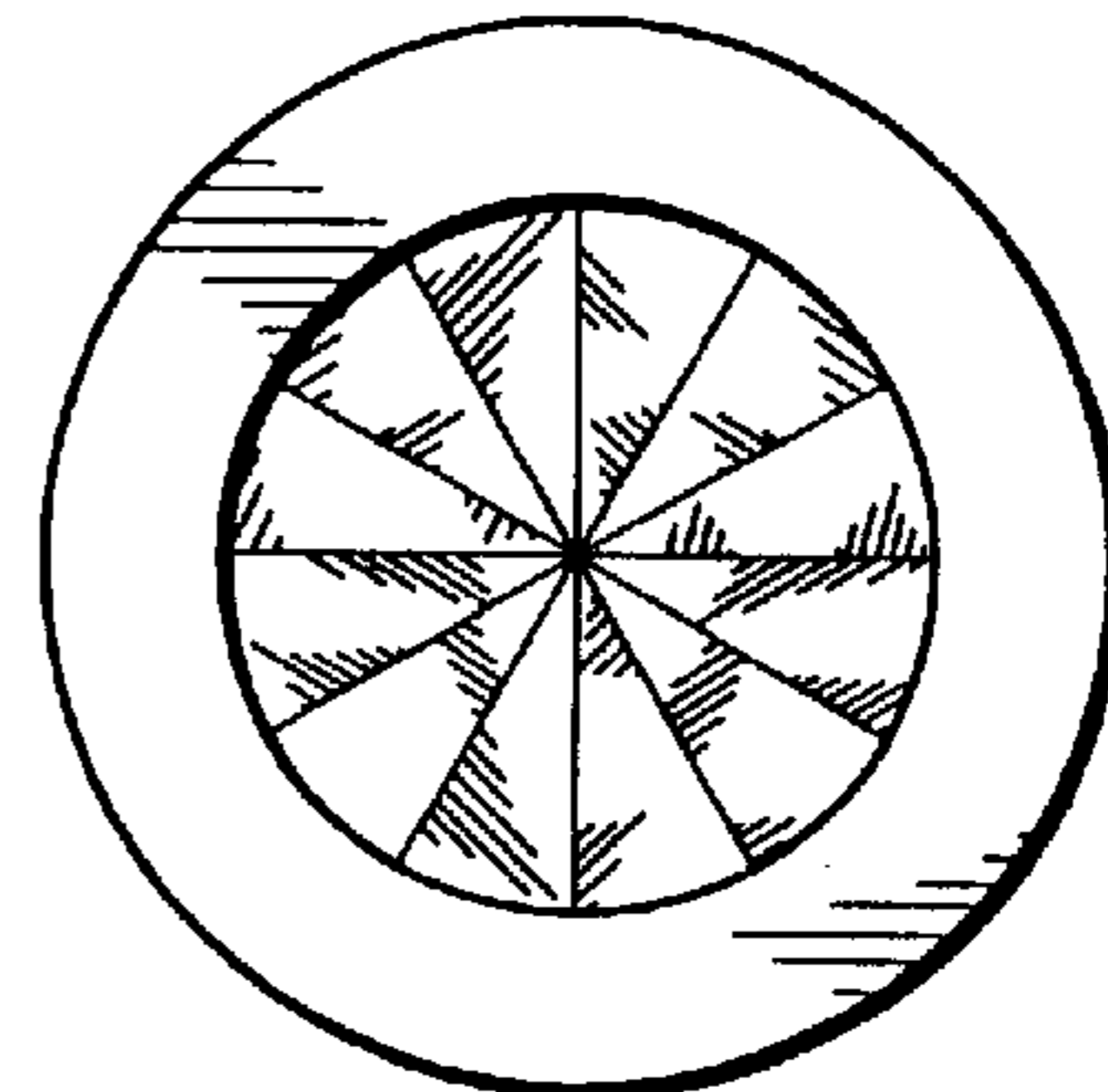


FIG. 69

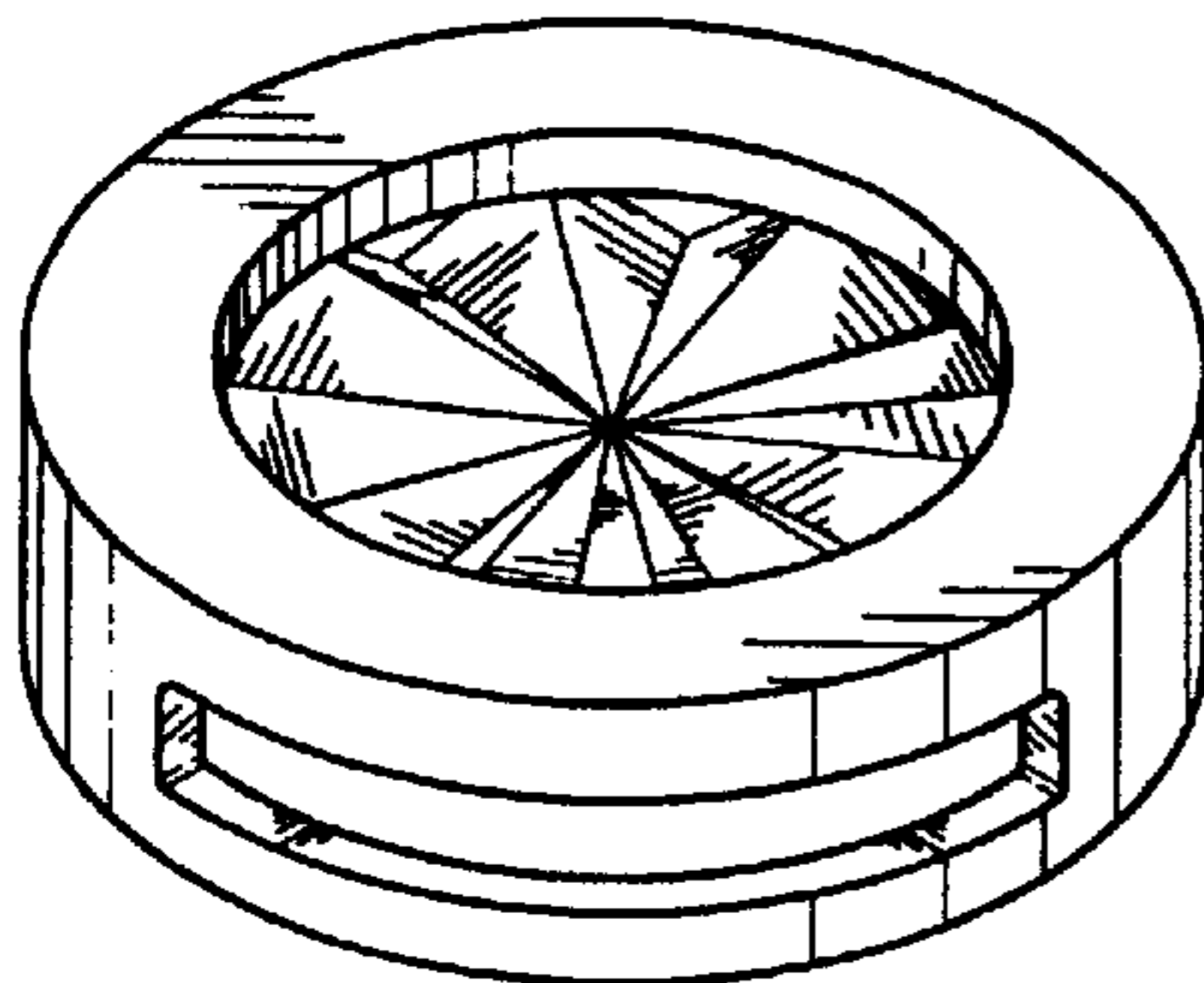


FIG. 70

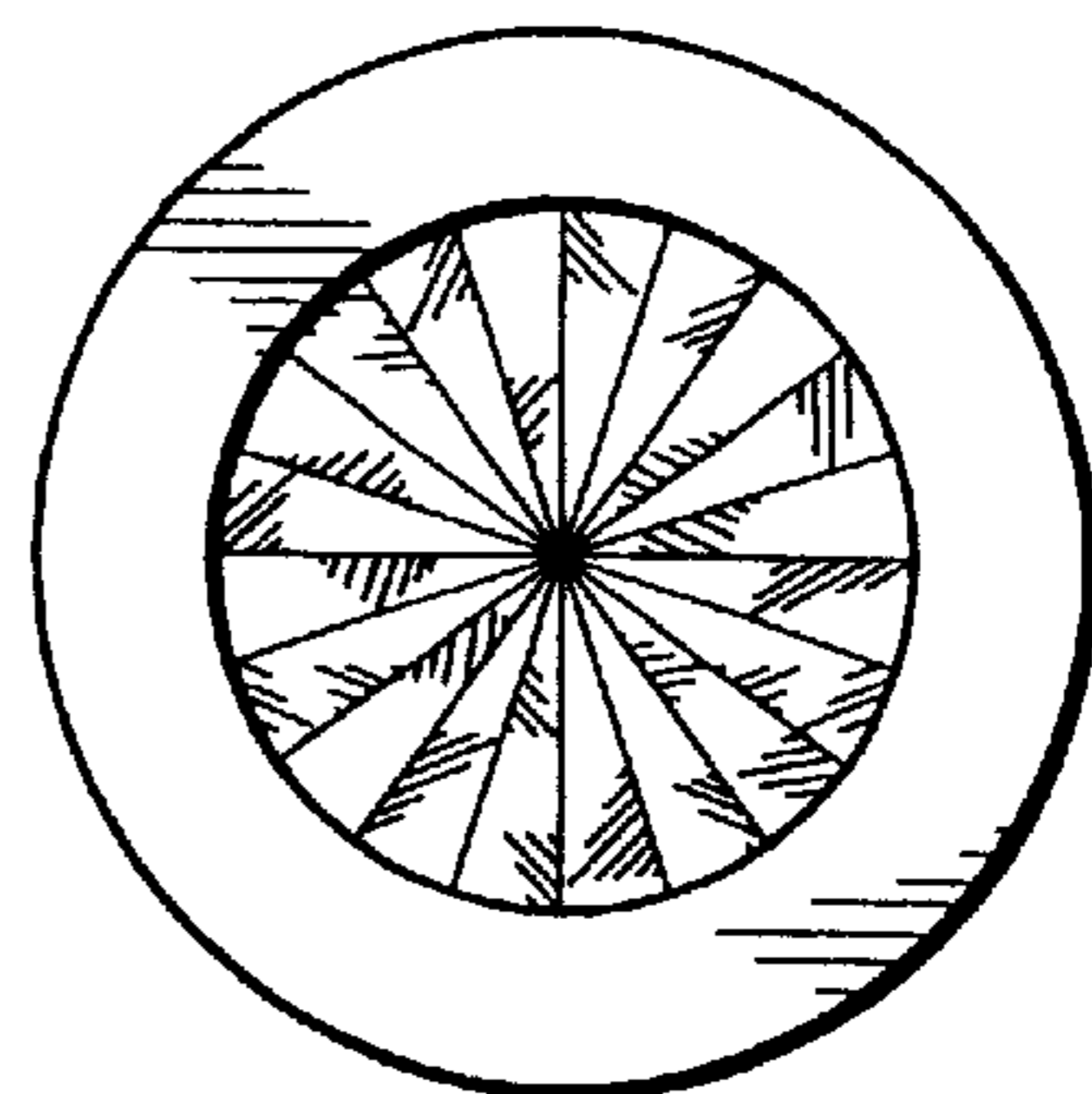


FIG. 71

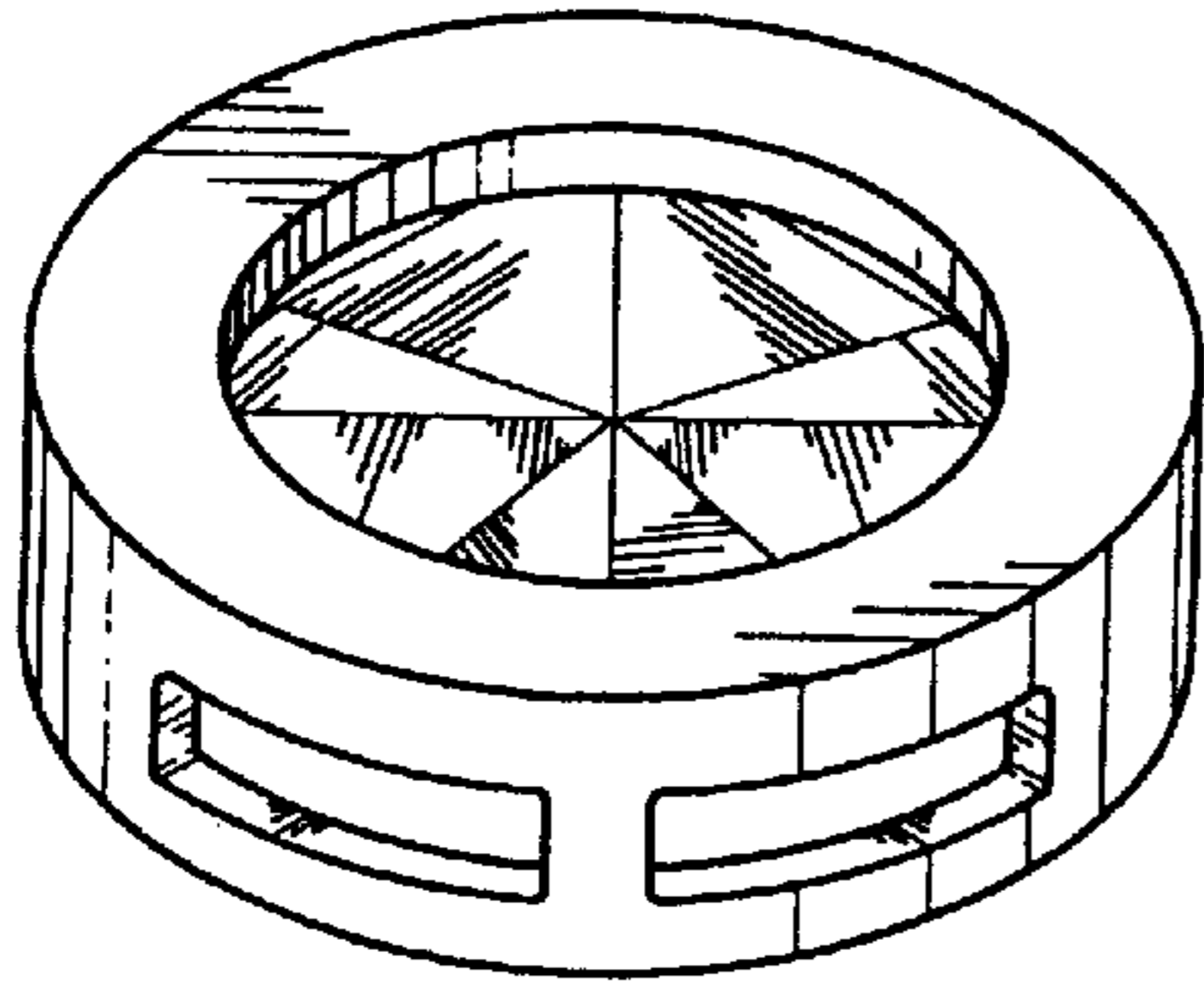


FIG. 72

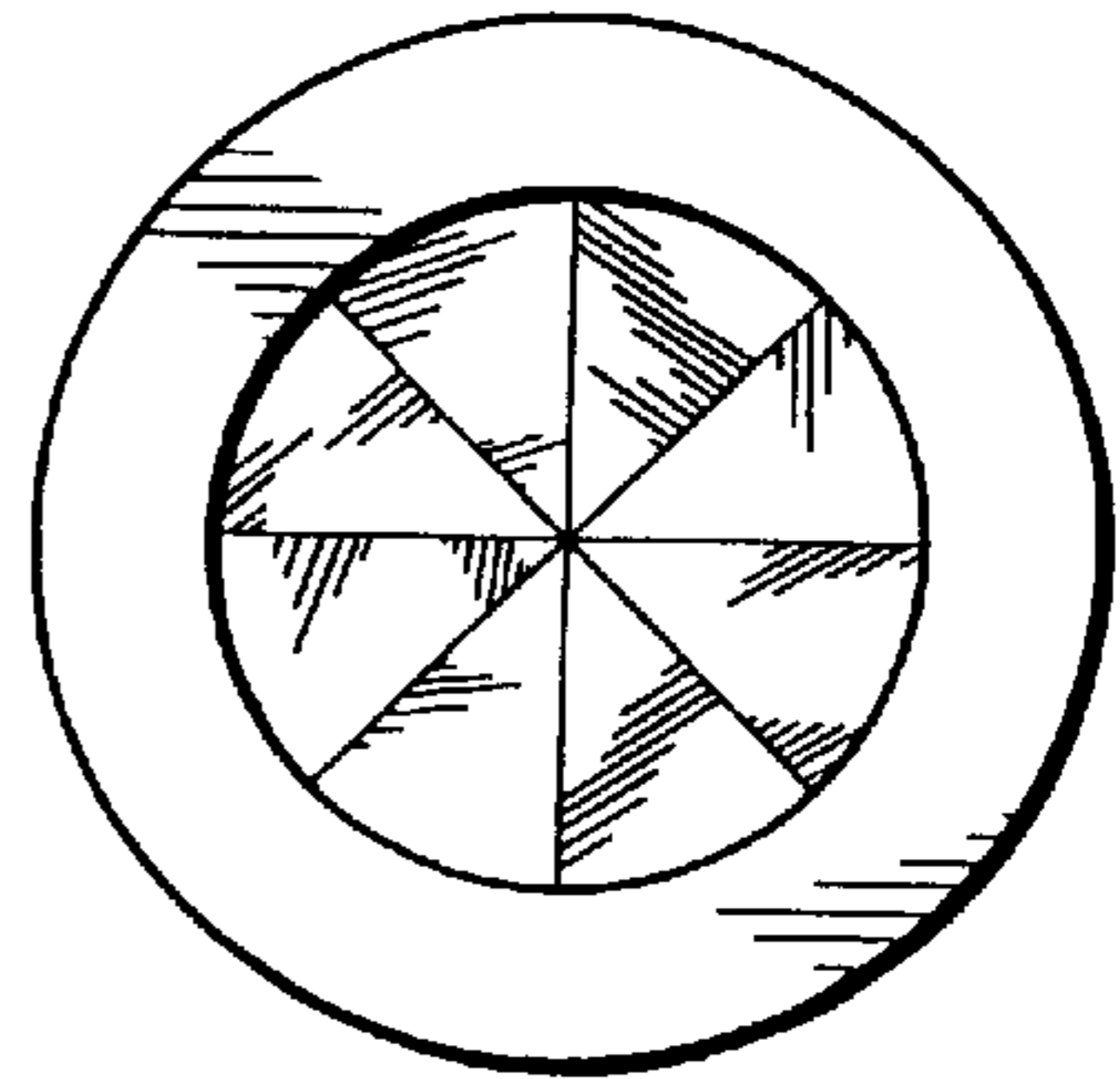


FIG. 73



FIG. 74



FIG. 75

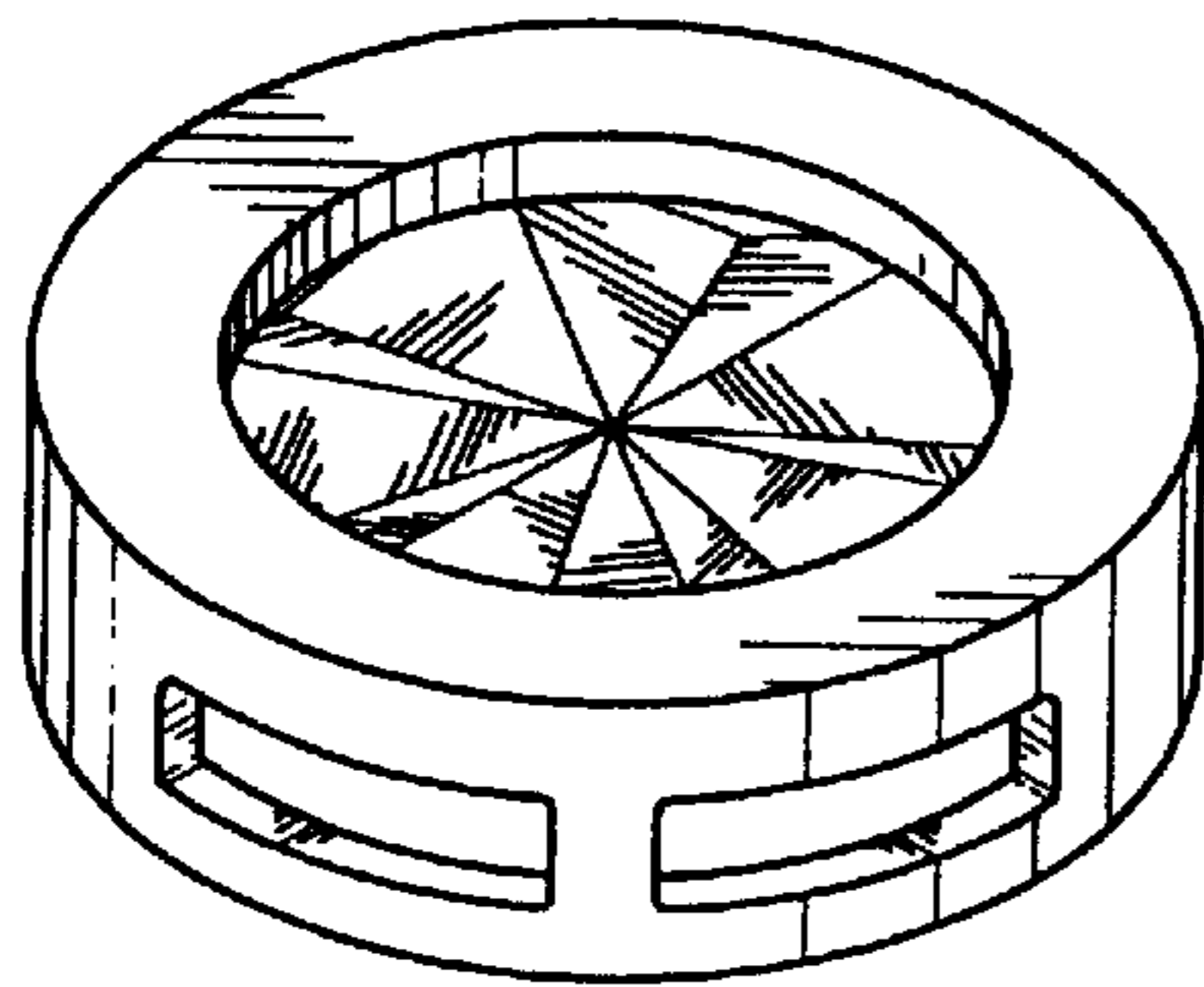


FIG. 76

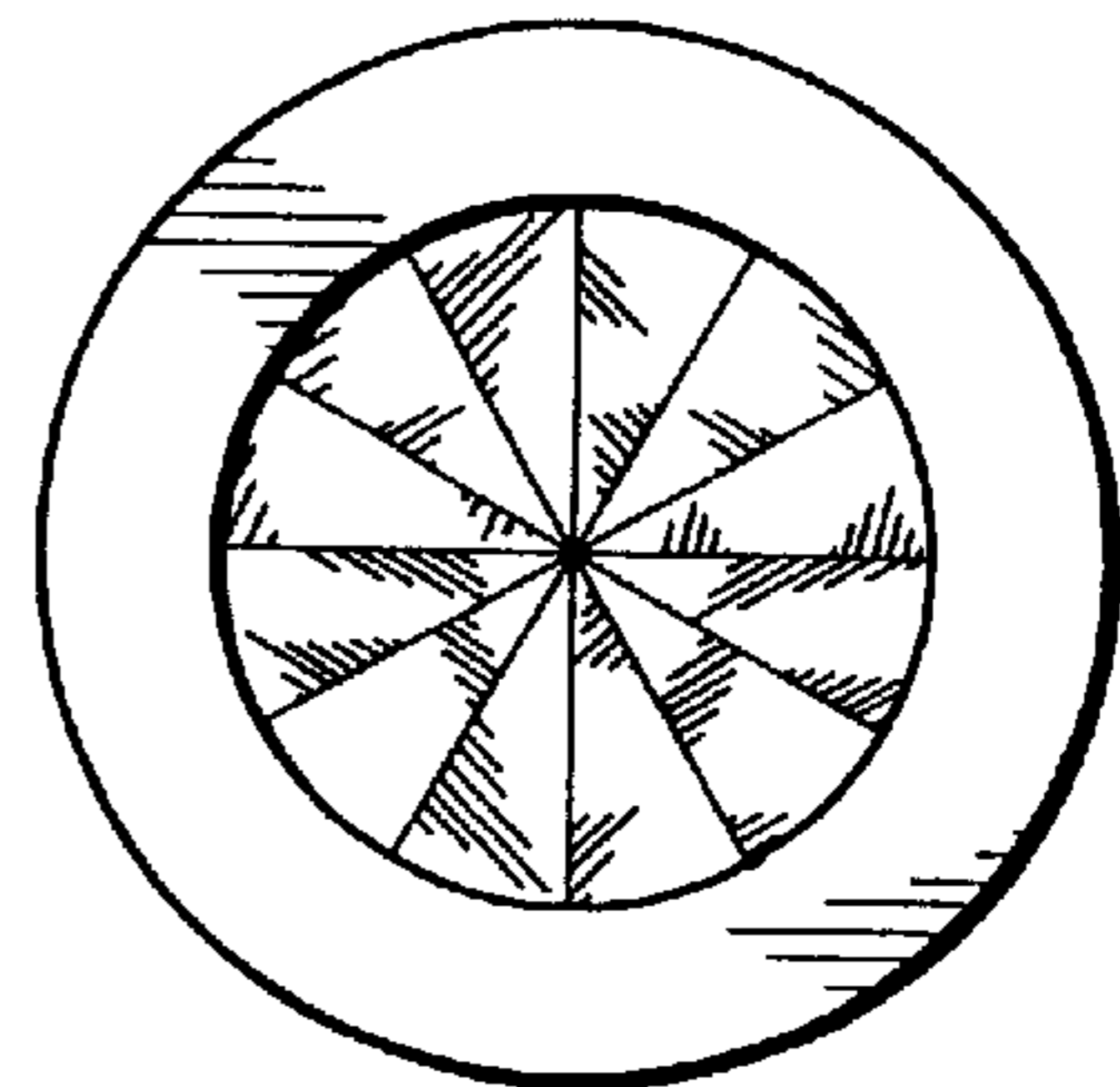


FIG. 77

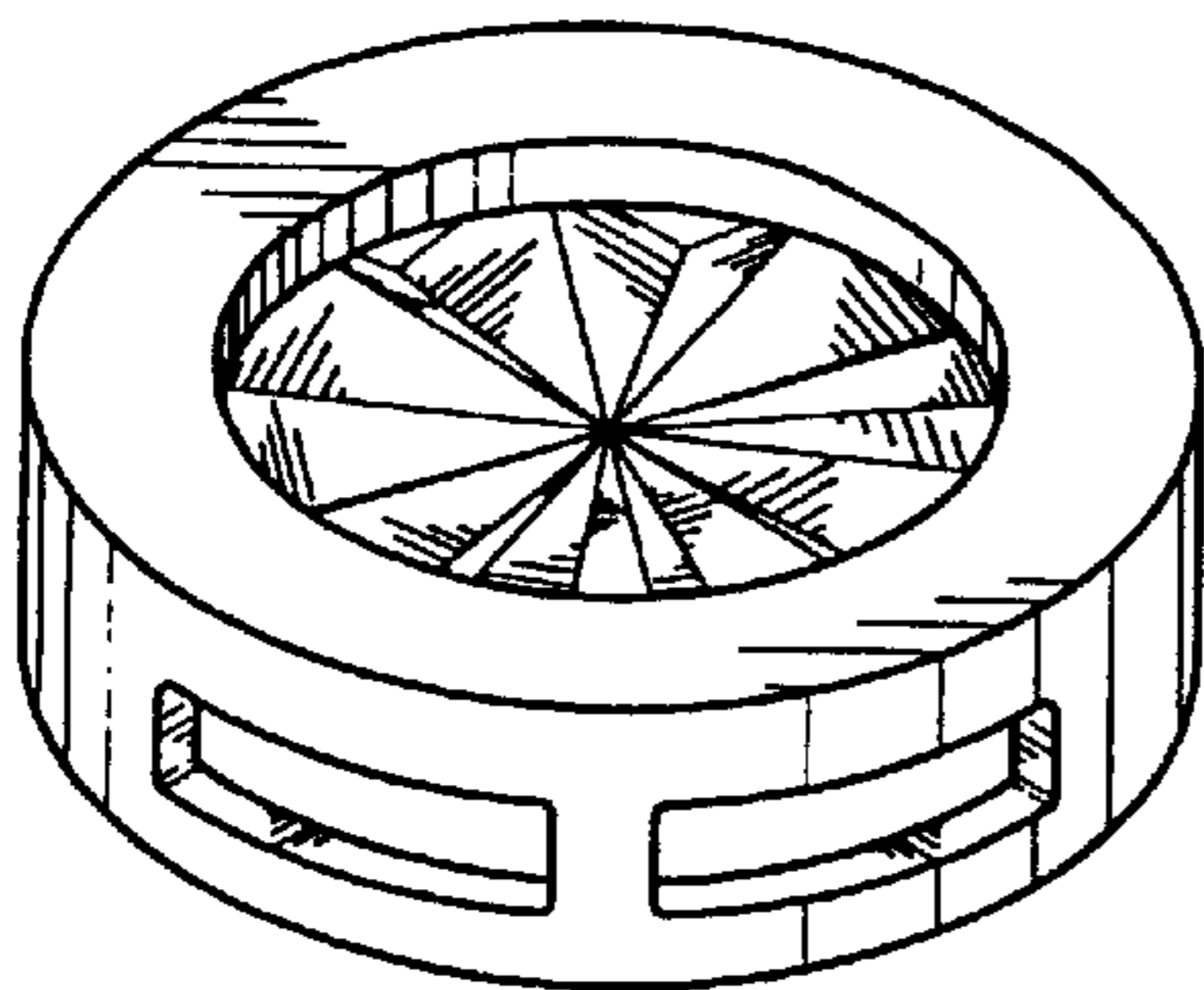


FIG. 78

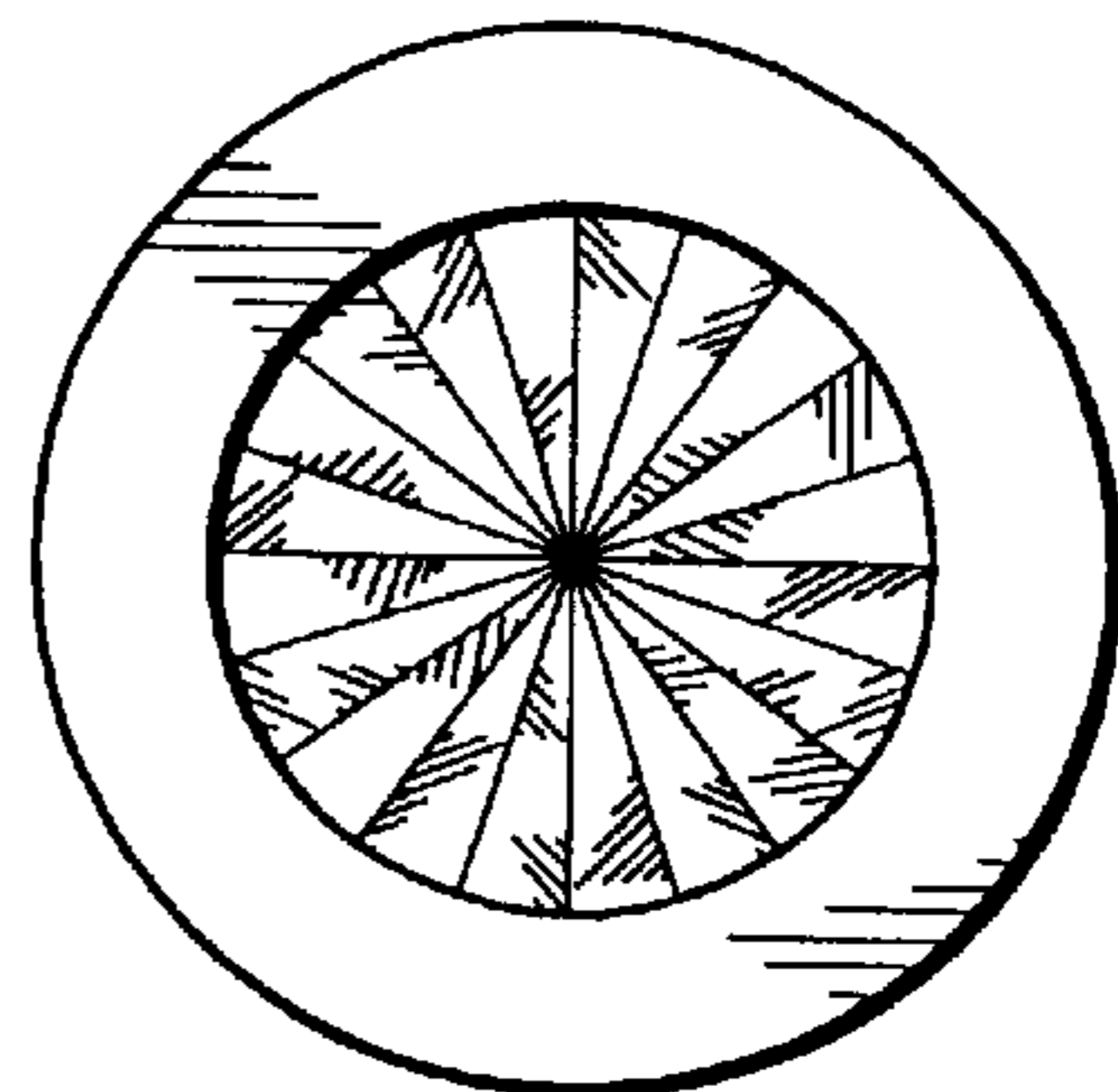


FIG. 79

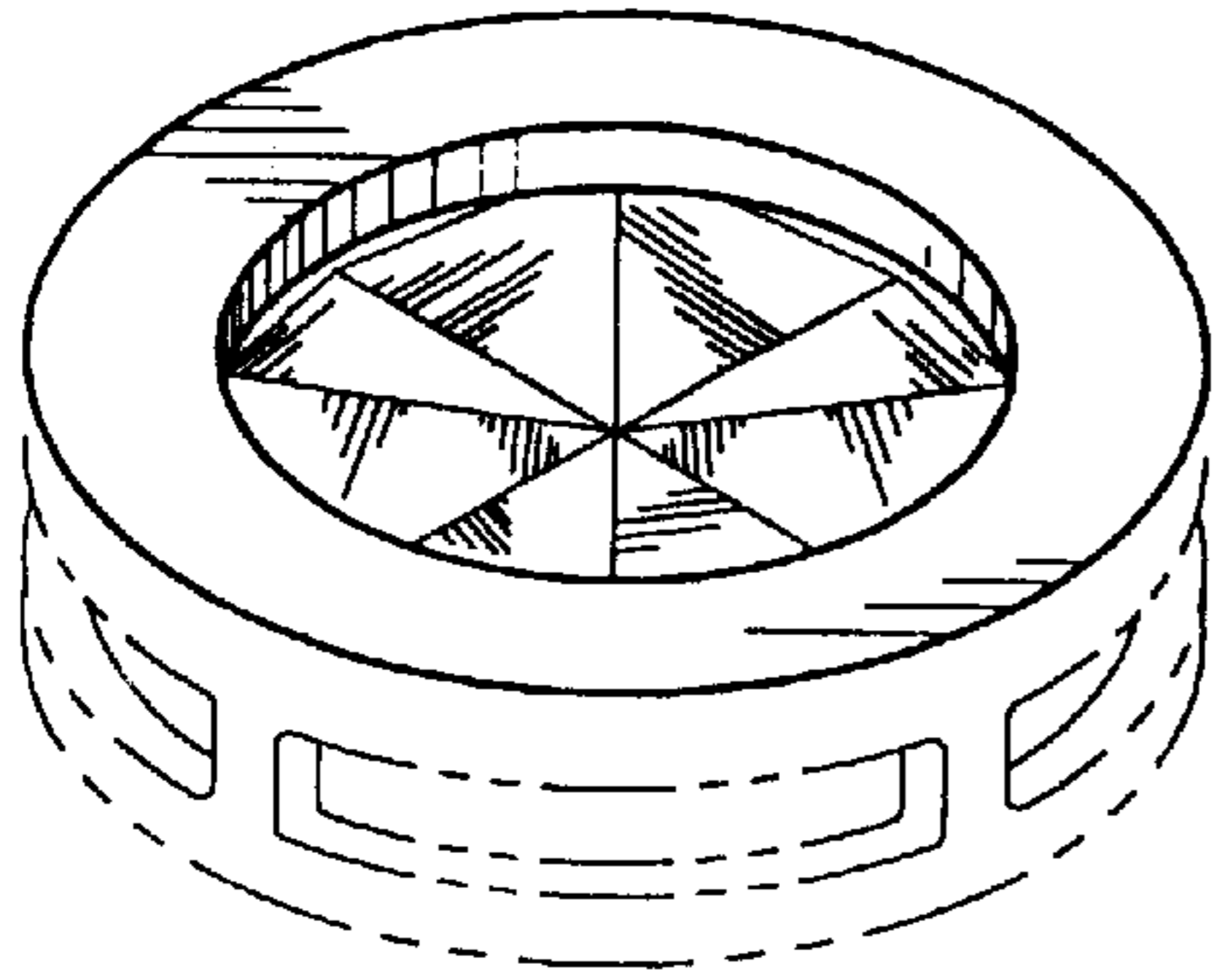


FIG. 80

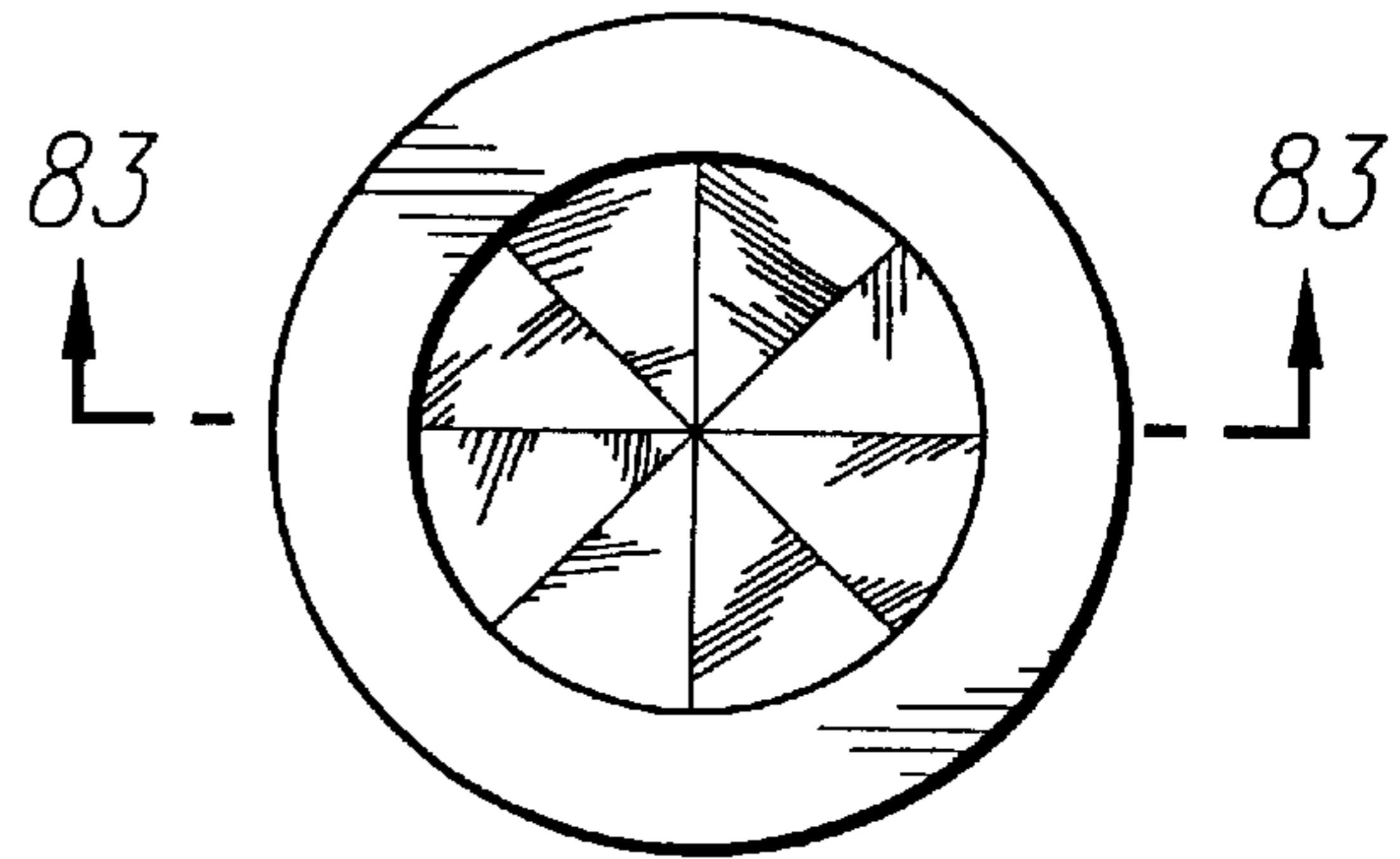


FIG. 81

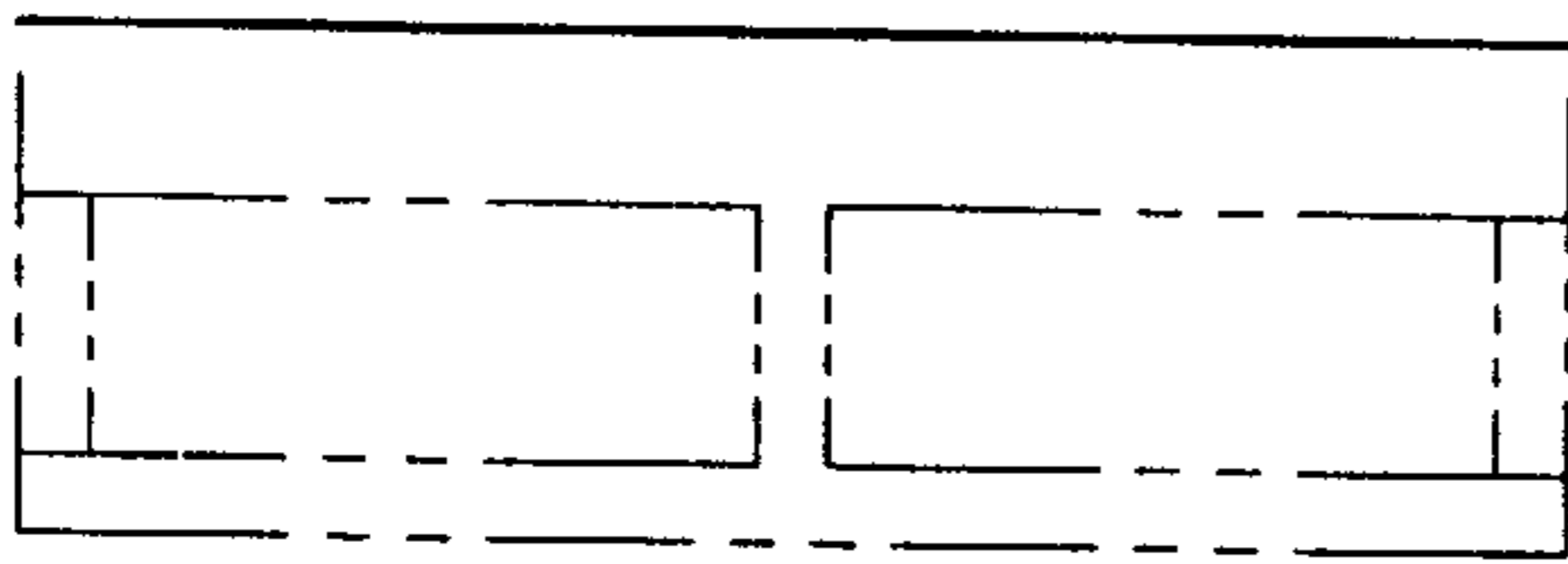


FIG. 82

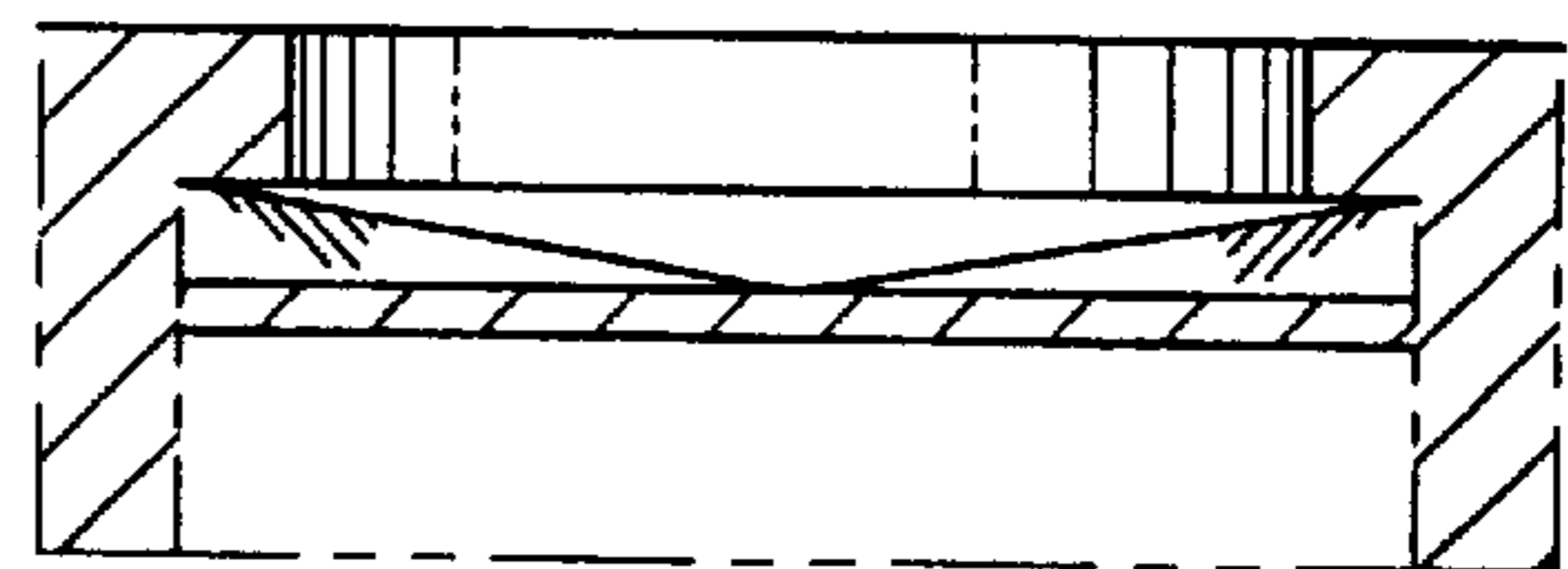


FIG. 83

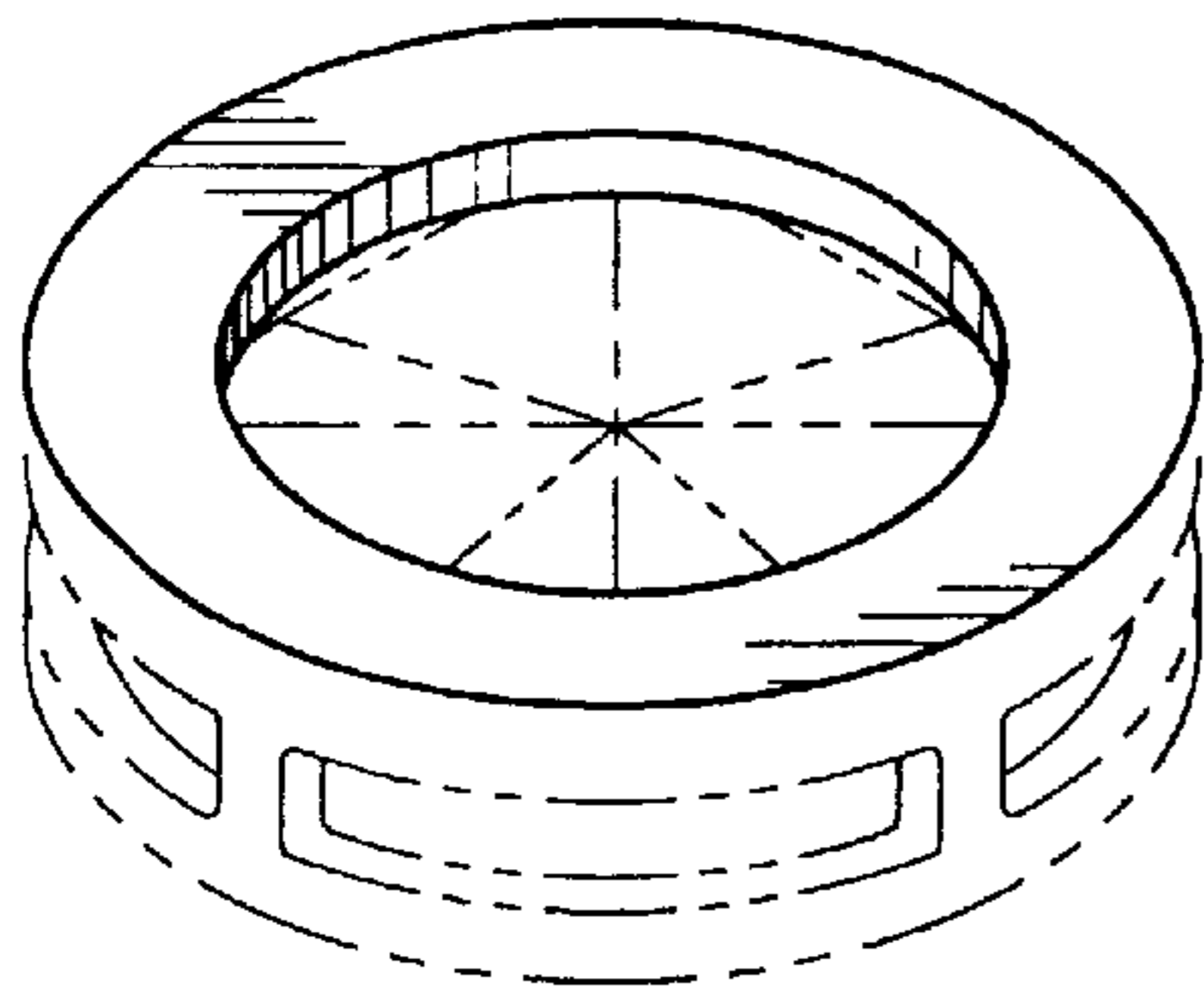


FIG. 84

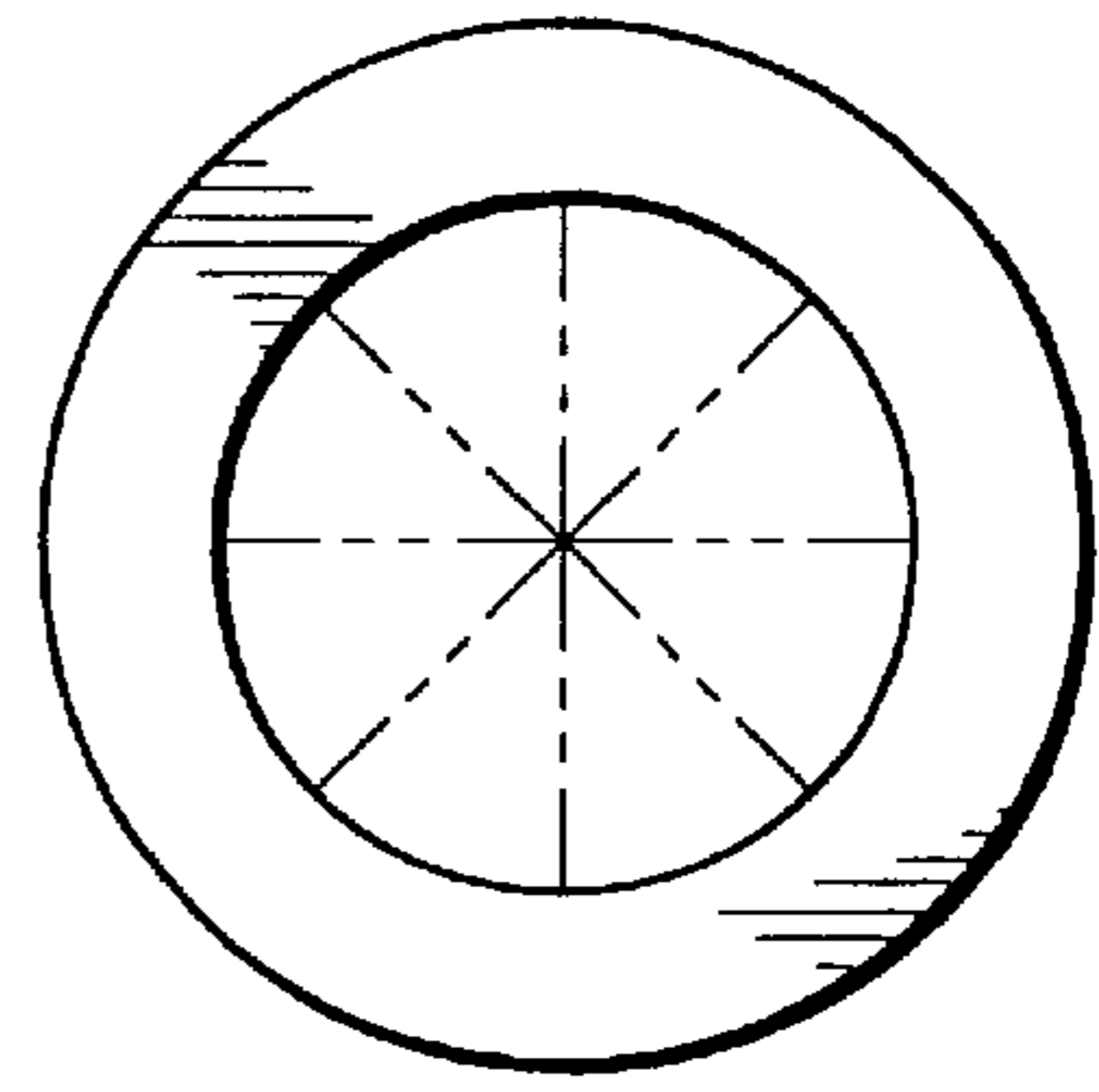


FIG. 85

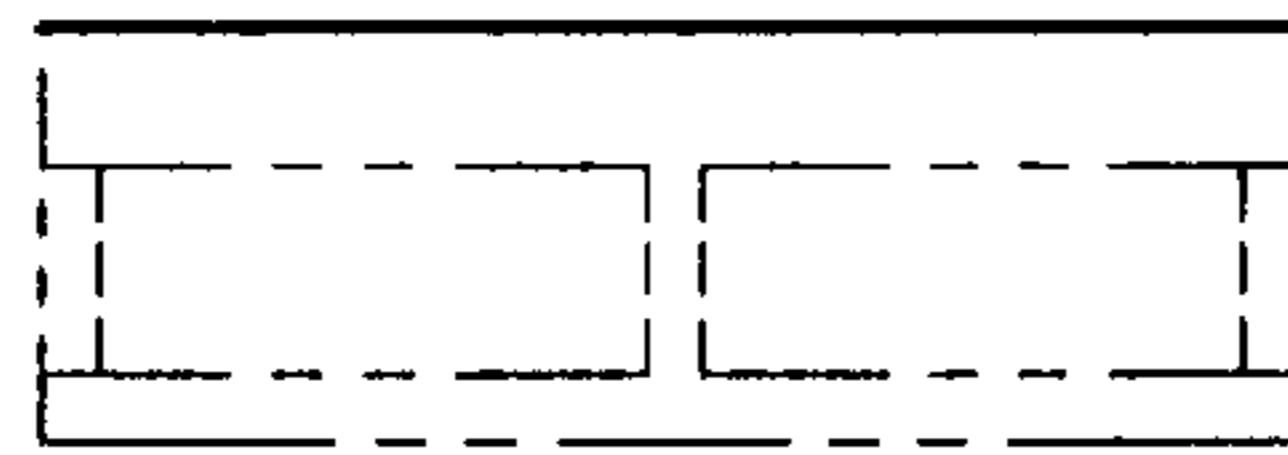


FIG. 86

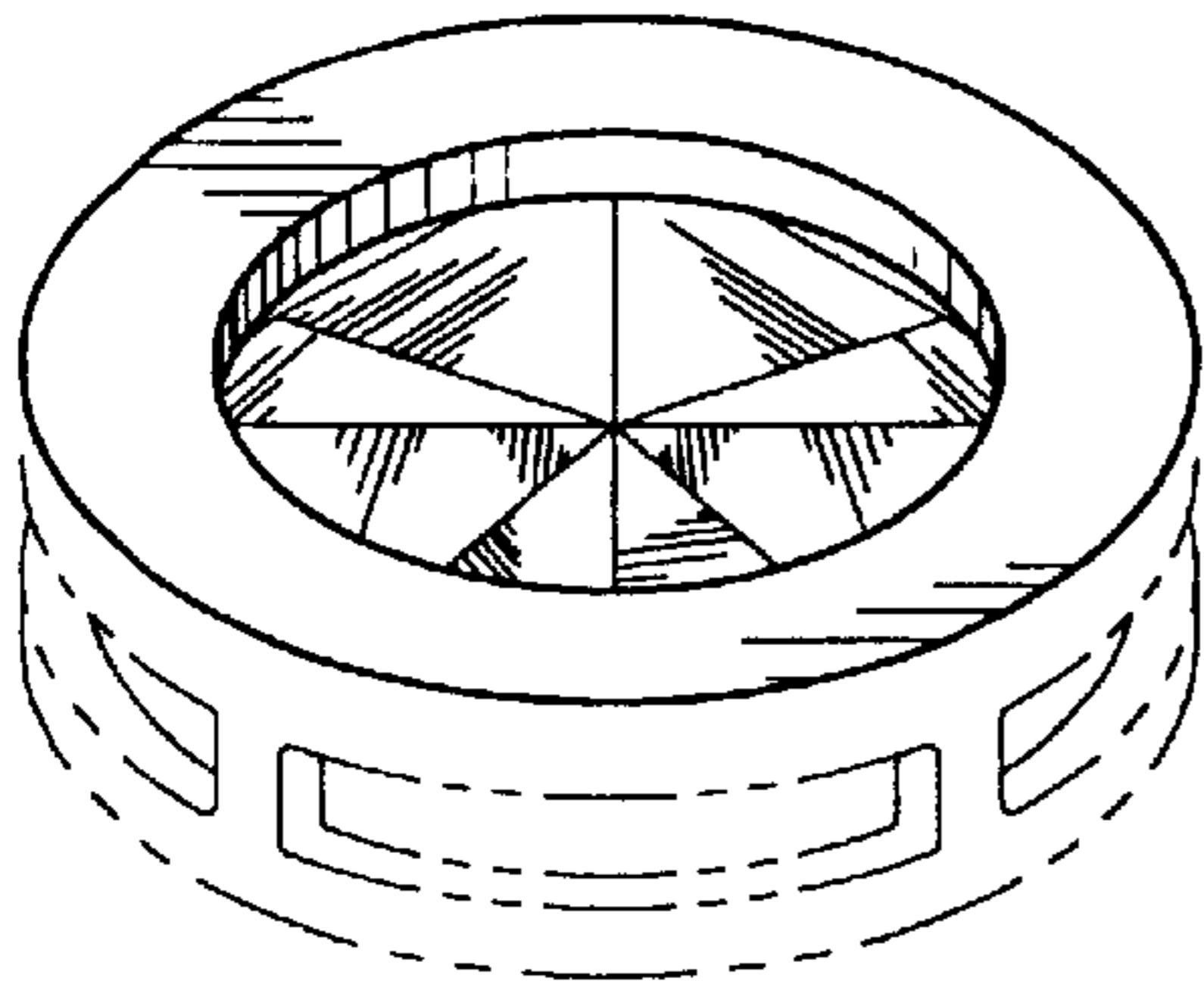


FIG. 87

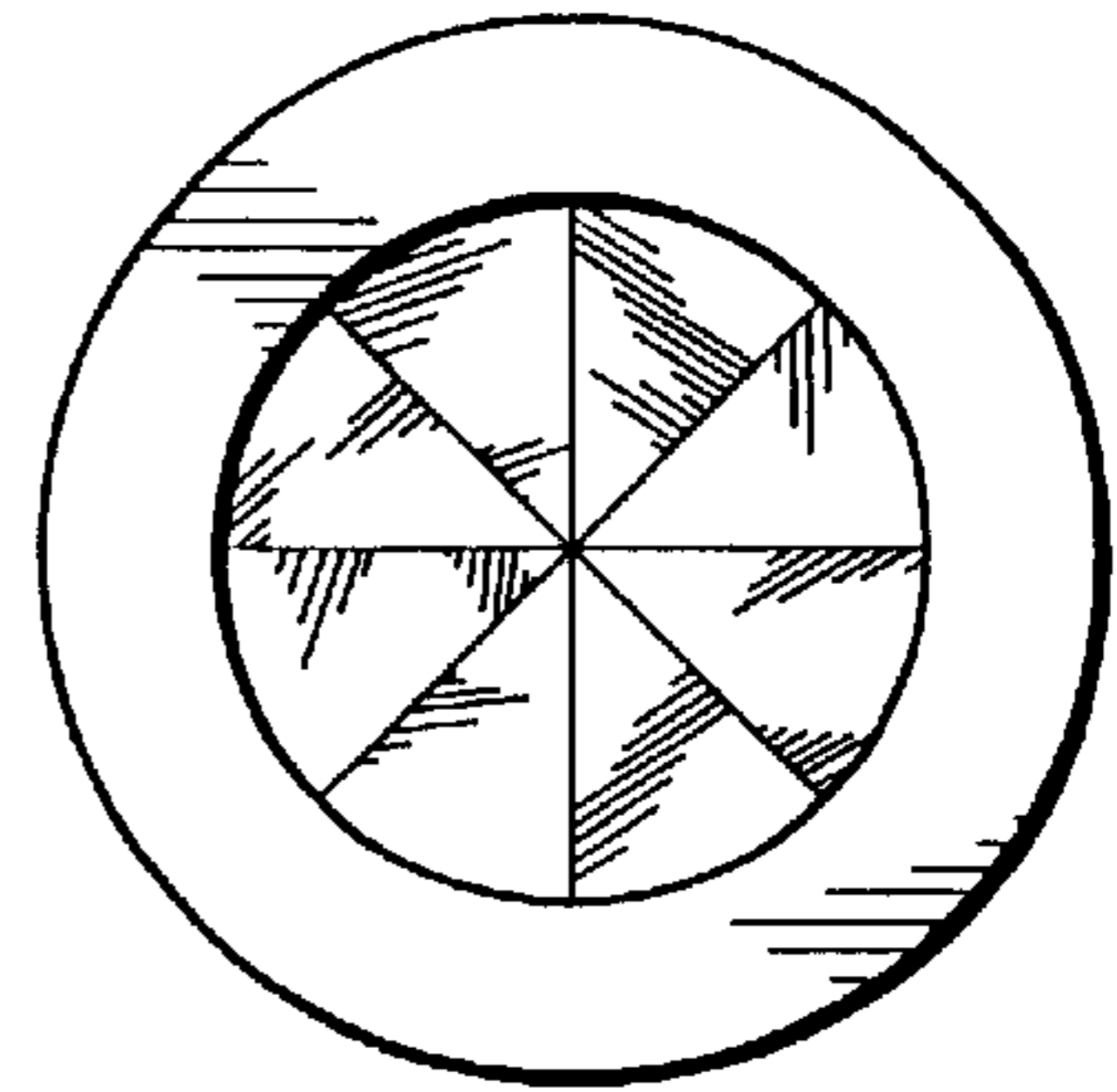


FIG. 88

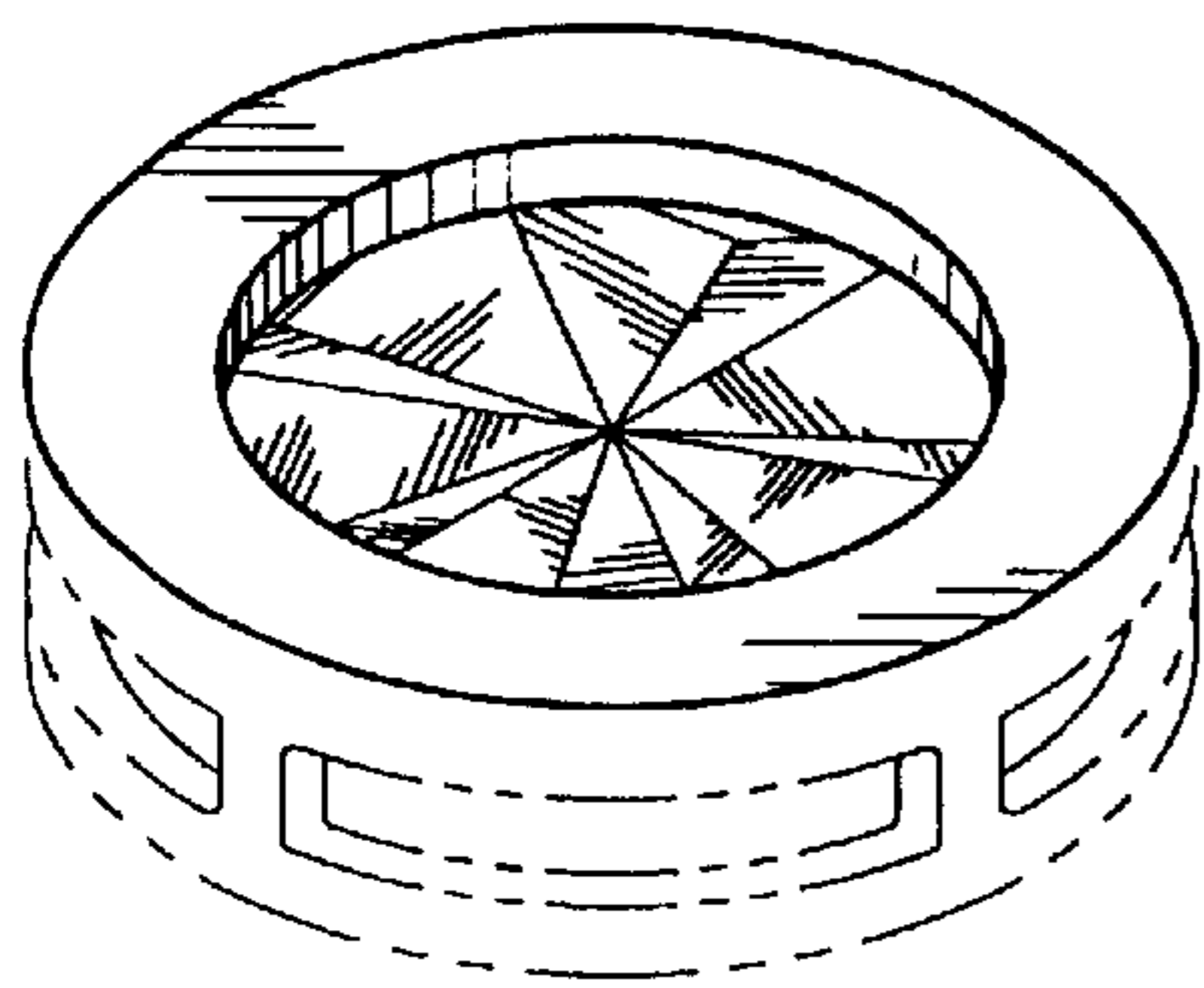


FIG. 89

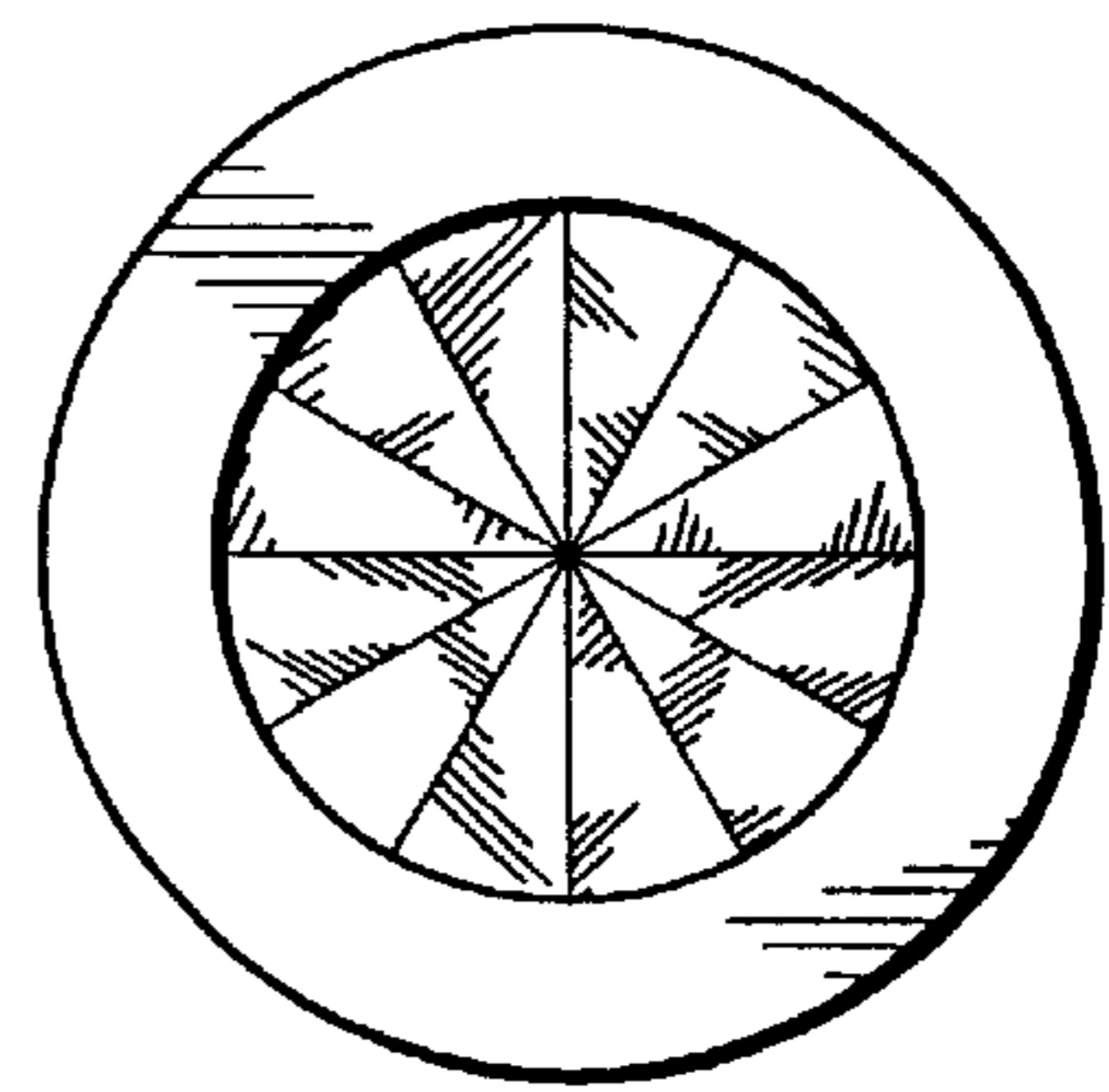


FIG. 90

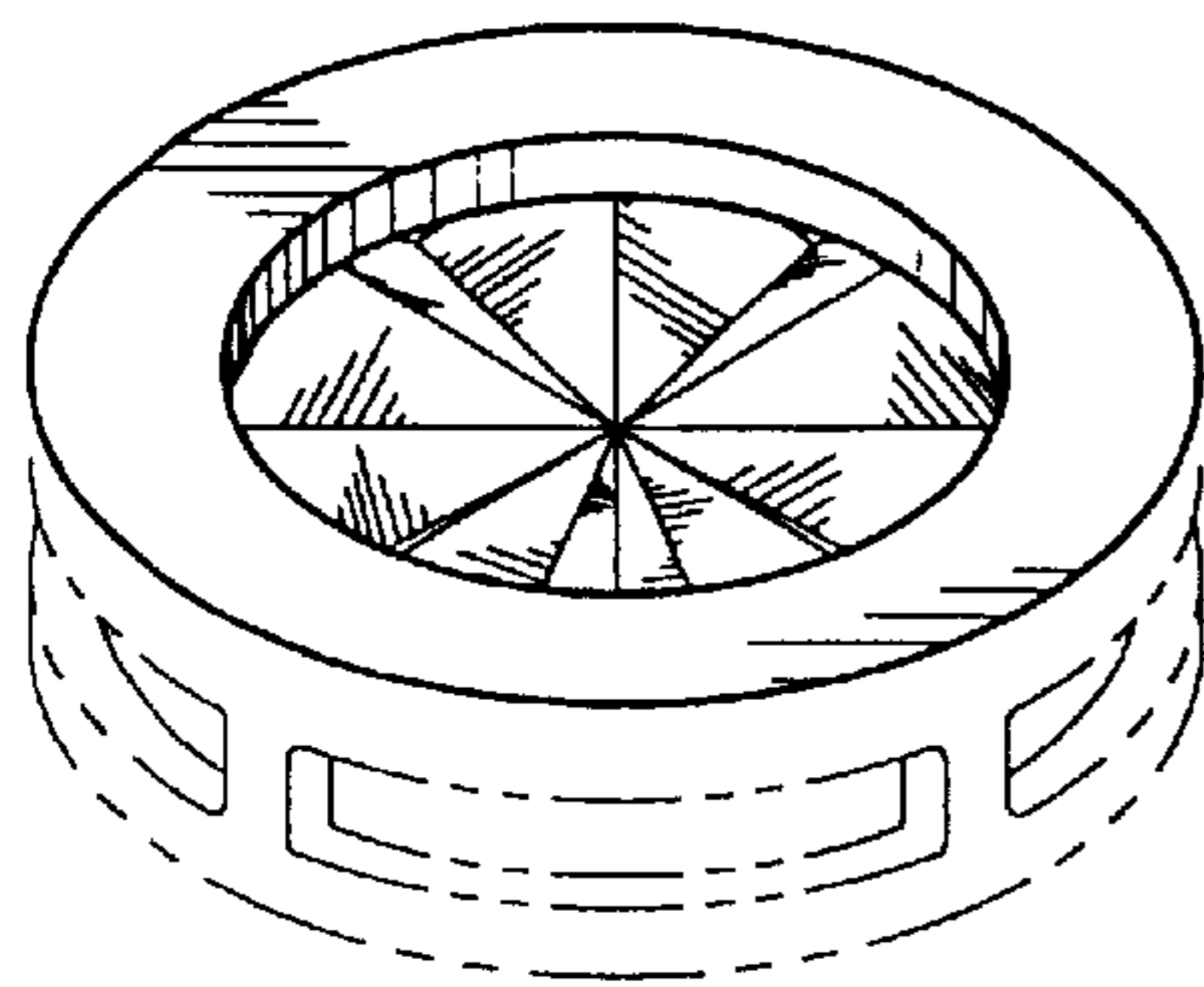


FIG. 91

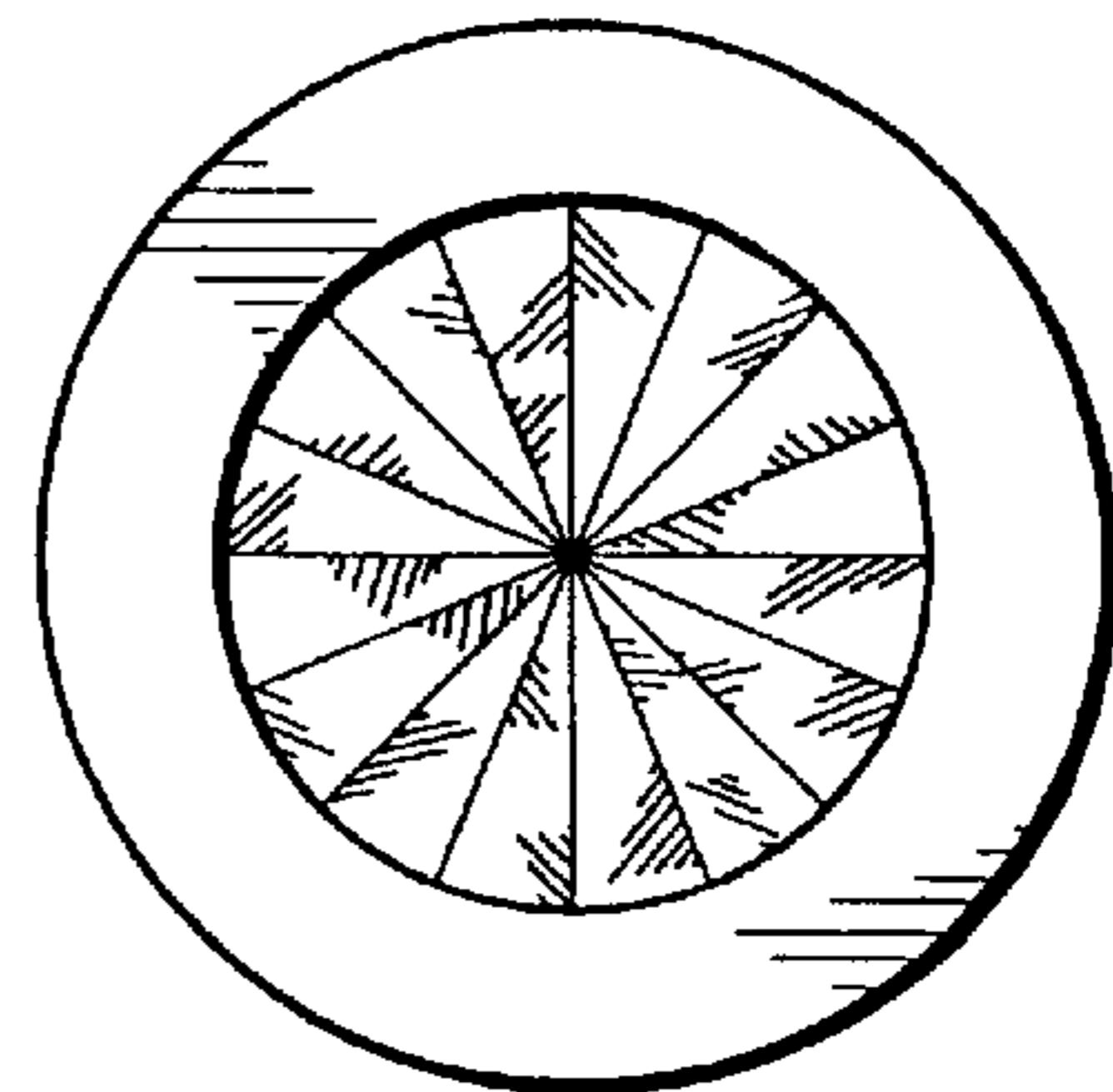


FIG. 92

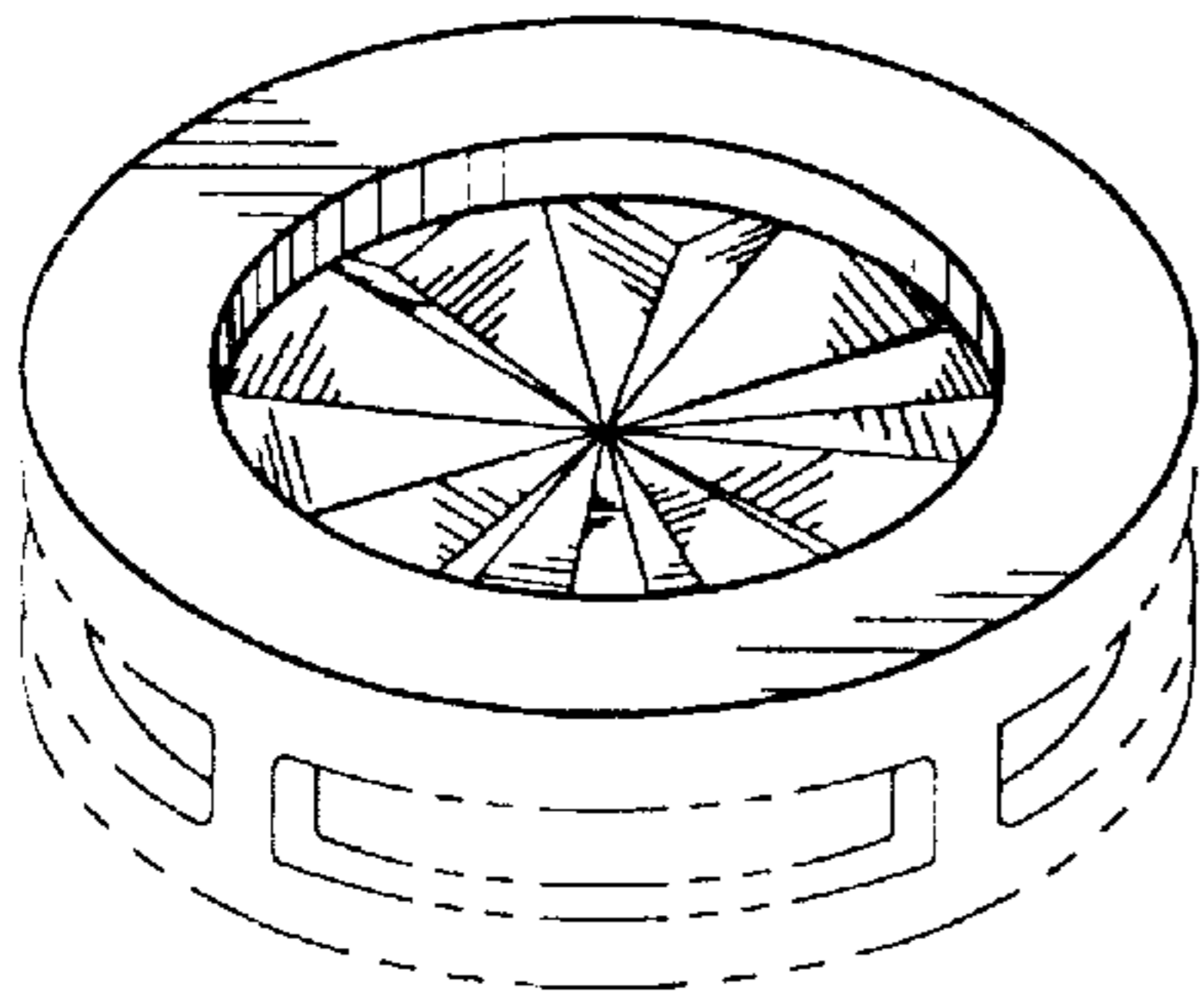


FIG. 93

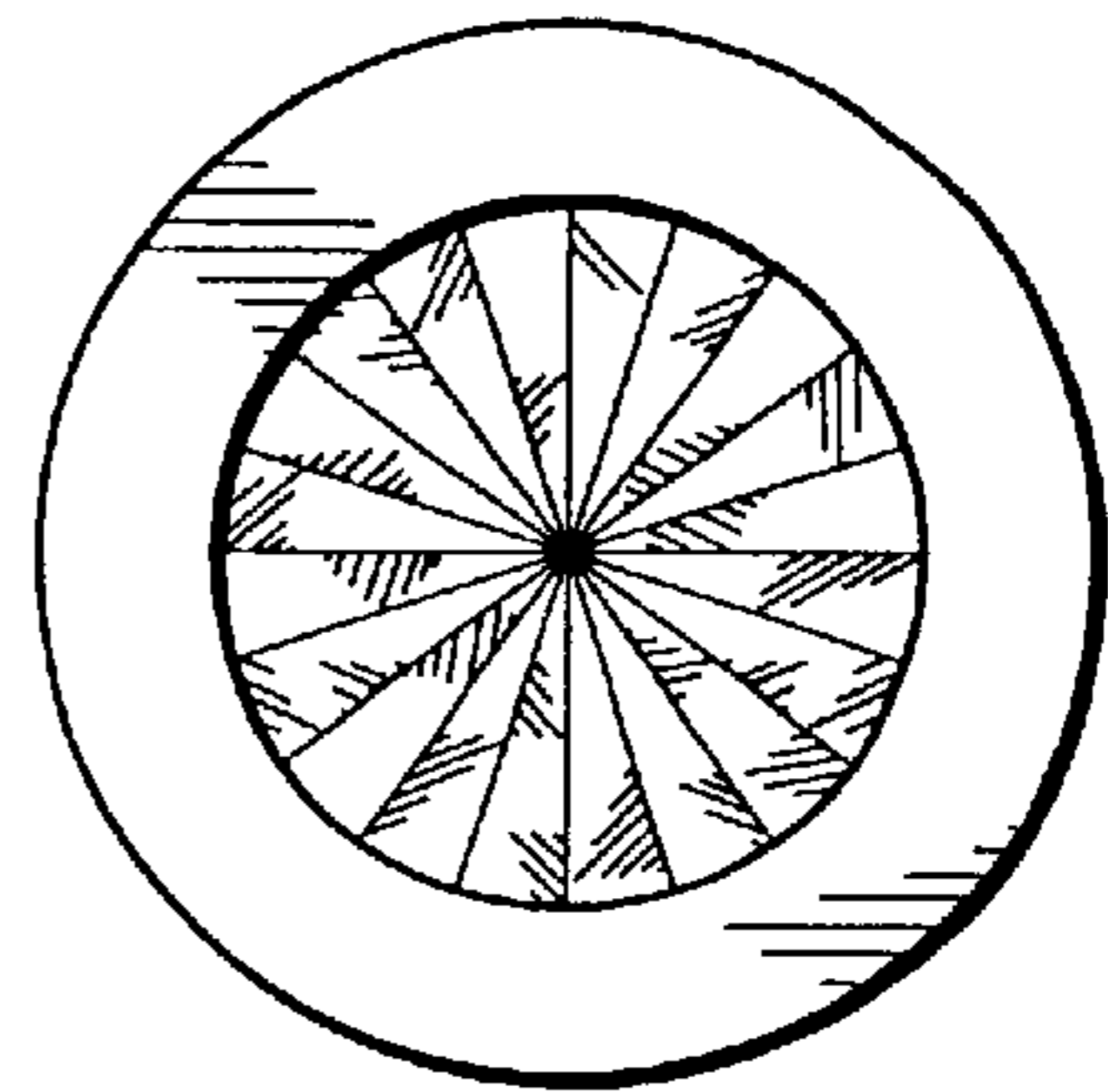


FIG. 94

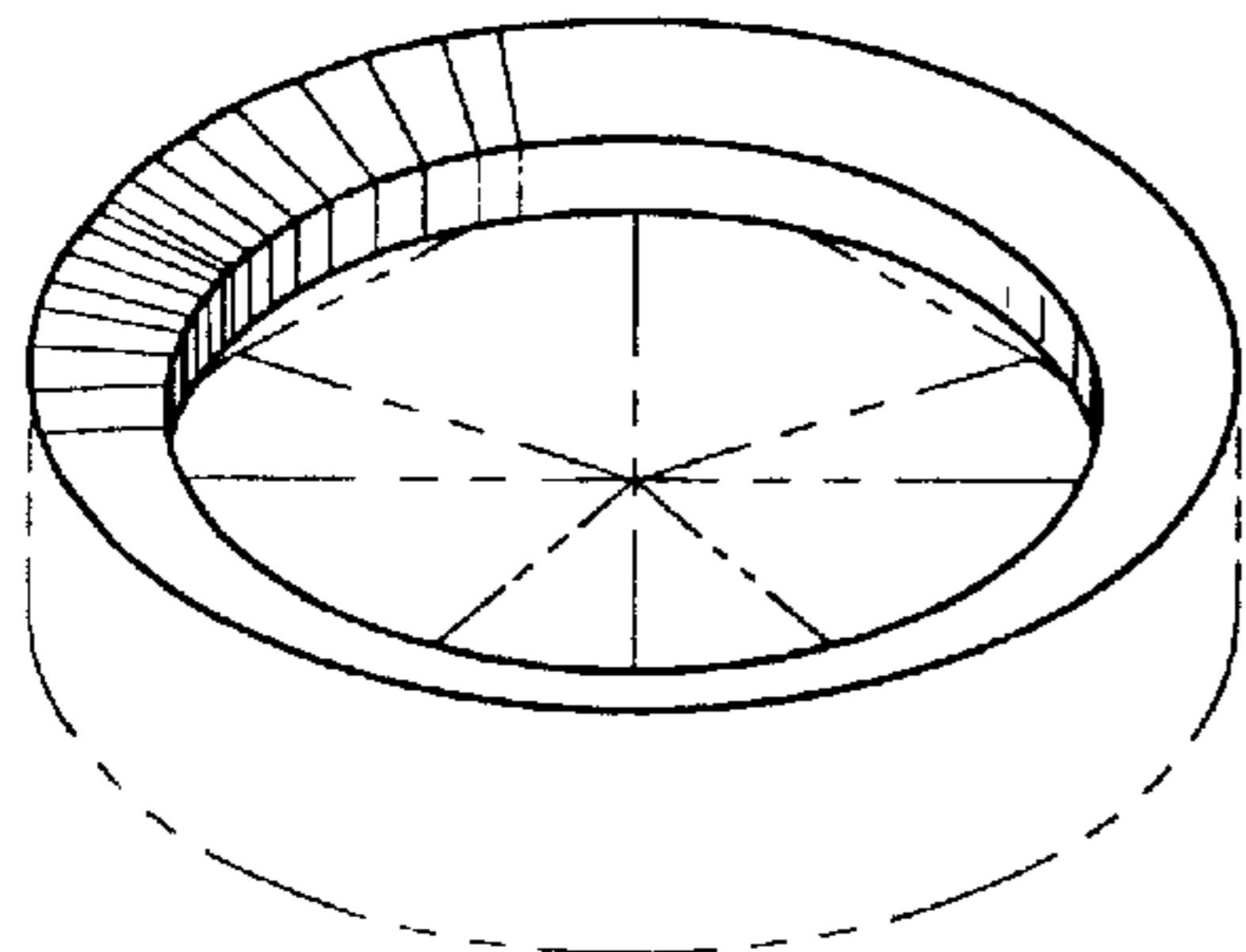


FIG. 95

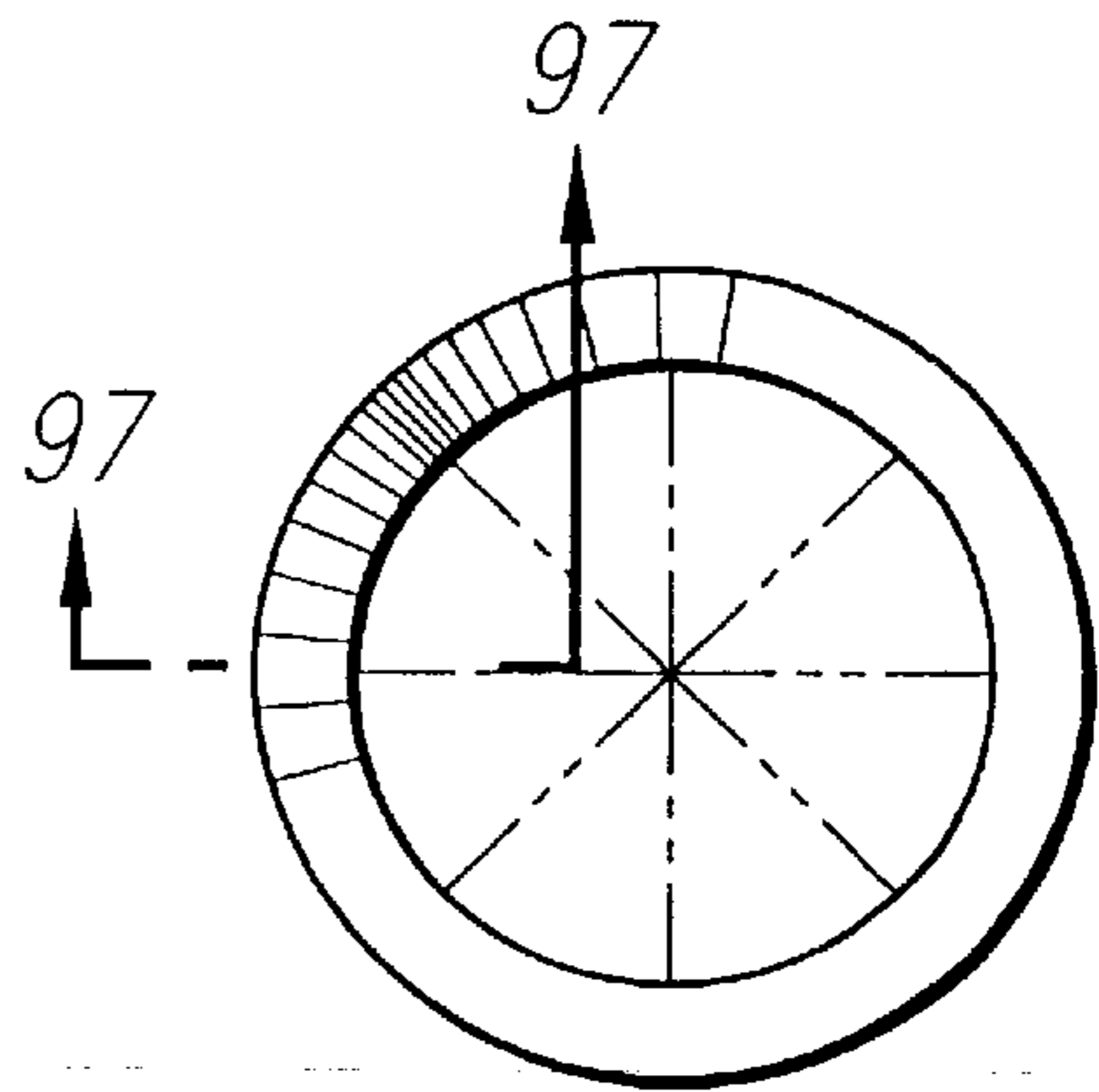


FIG. 96

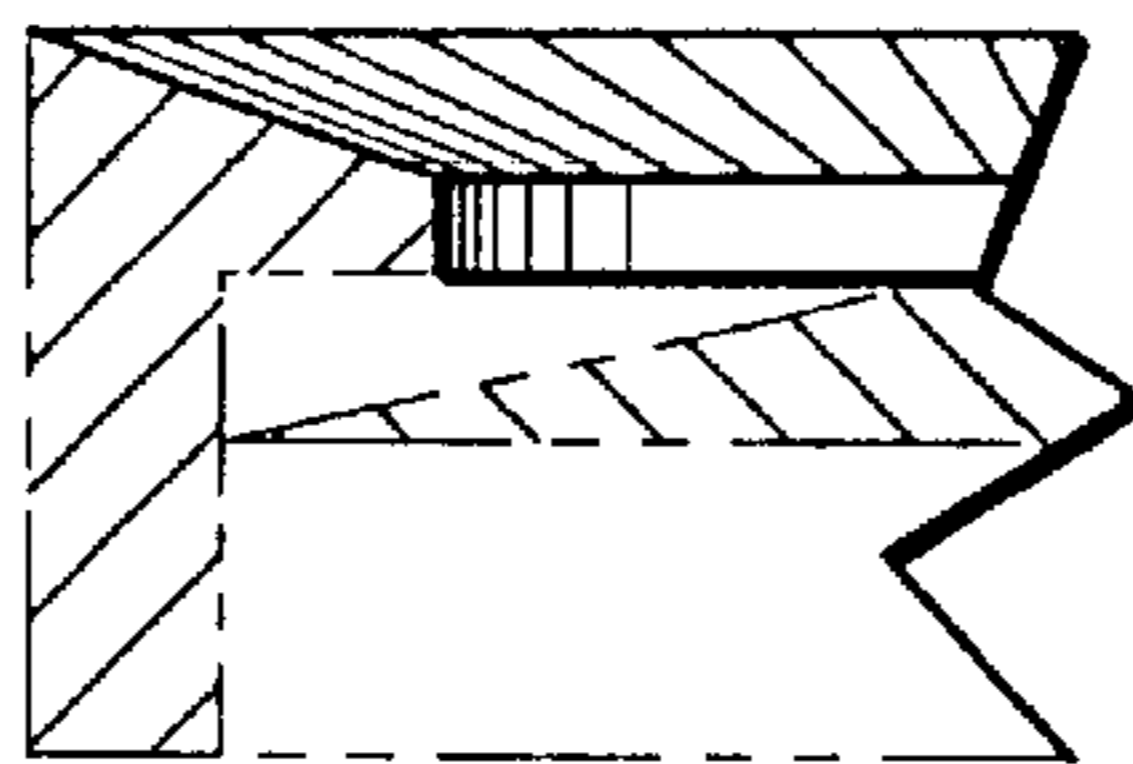


FIG. 97

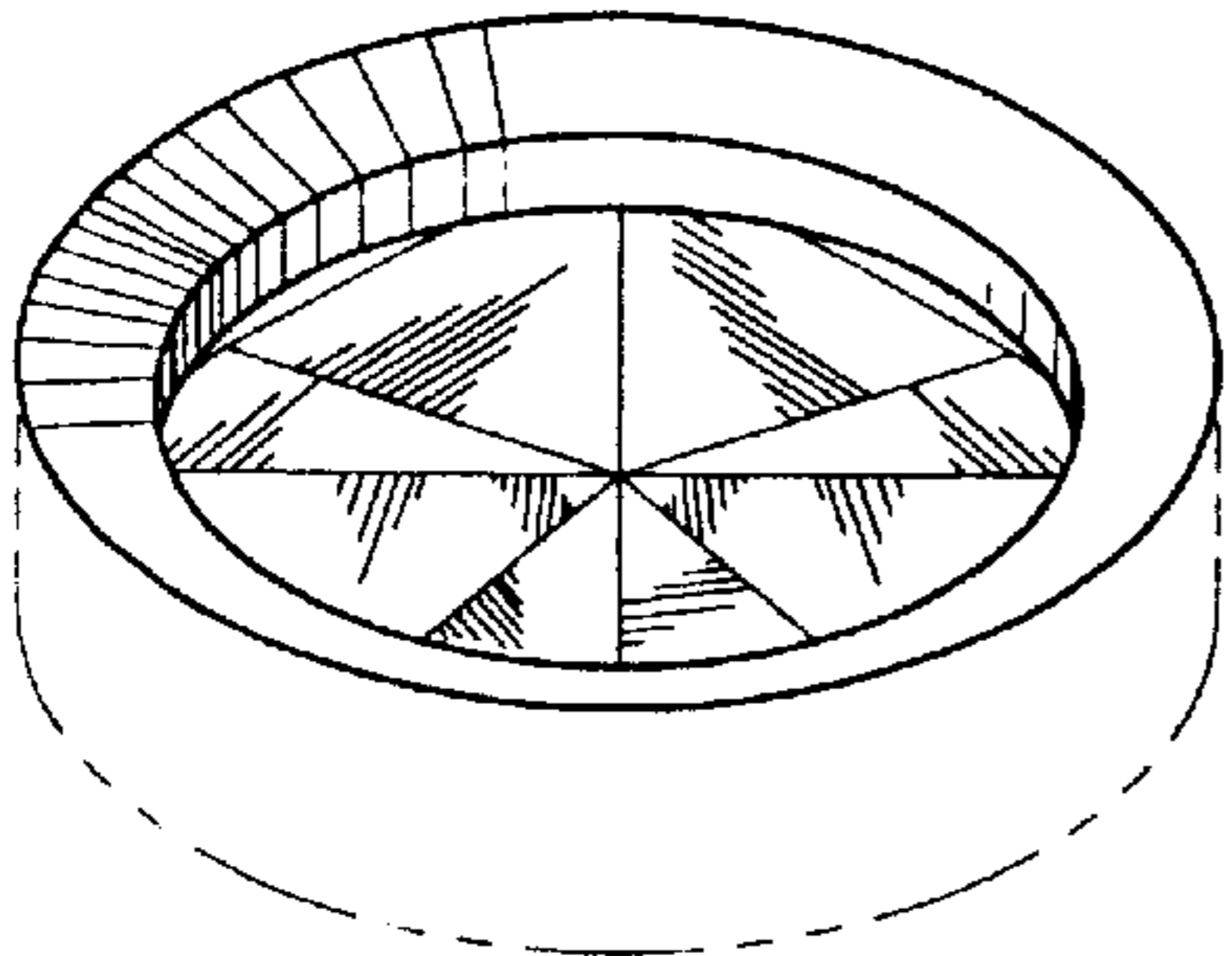


FIG. 98



FIG. 100

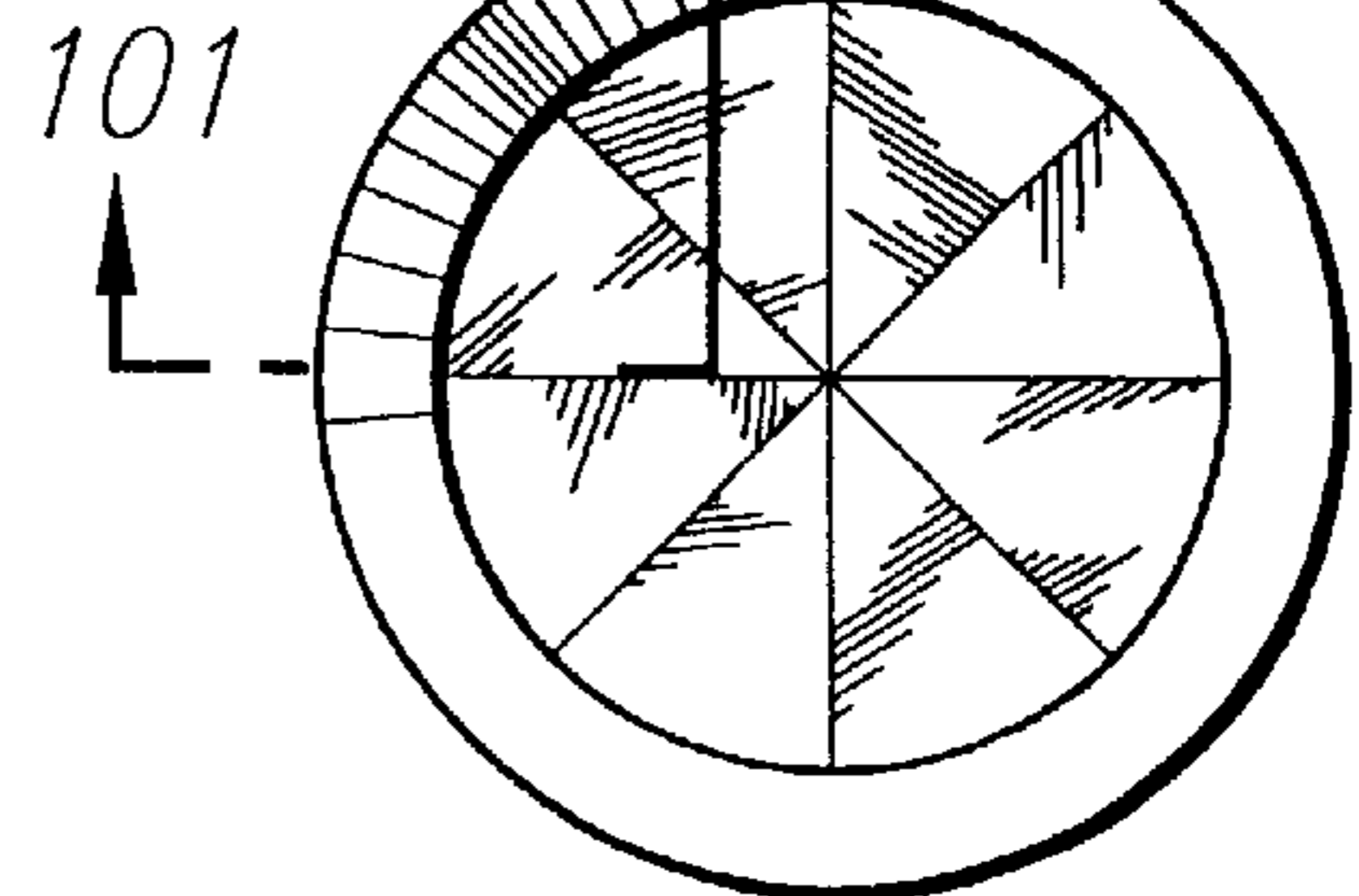


FIG. 99

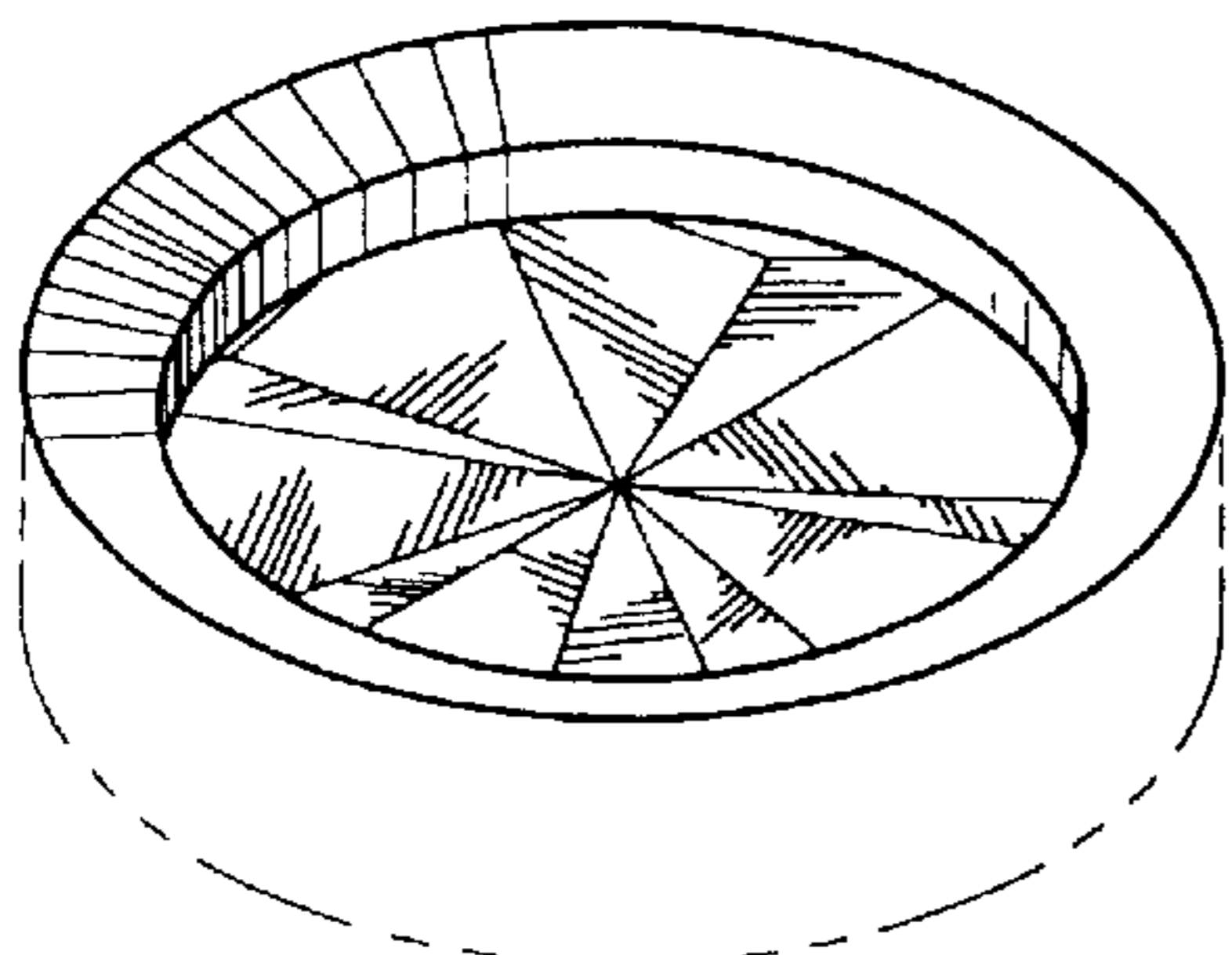


FIG. 102

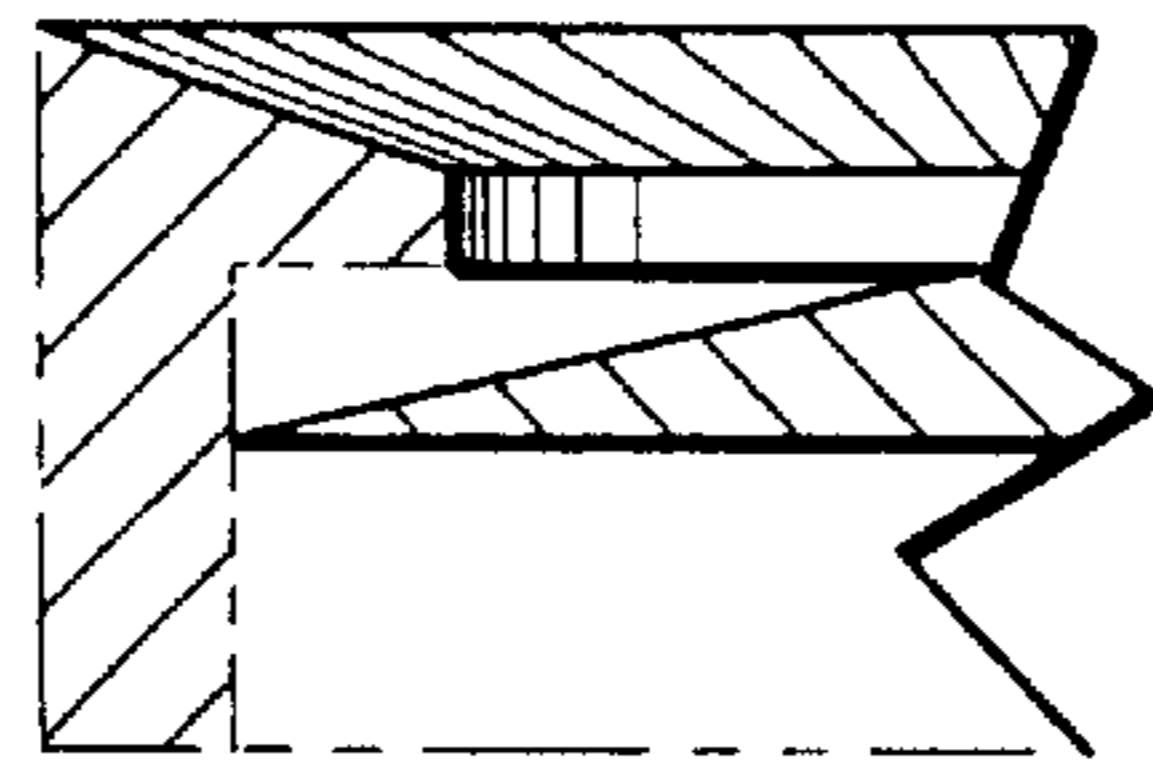


FIG. 101

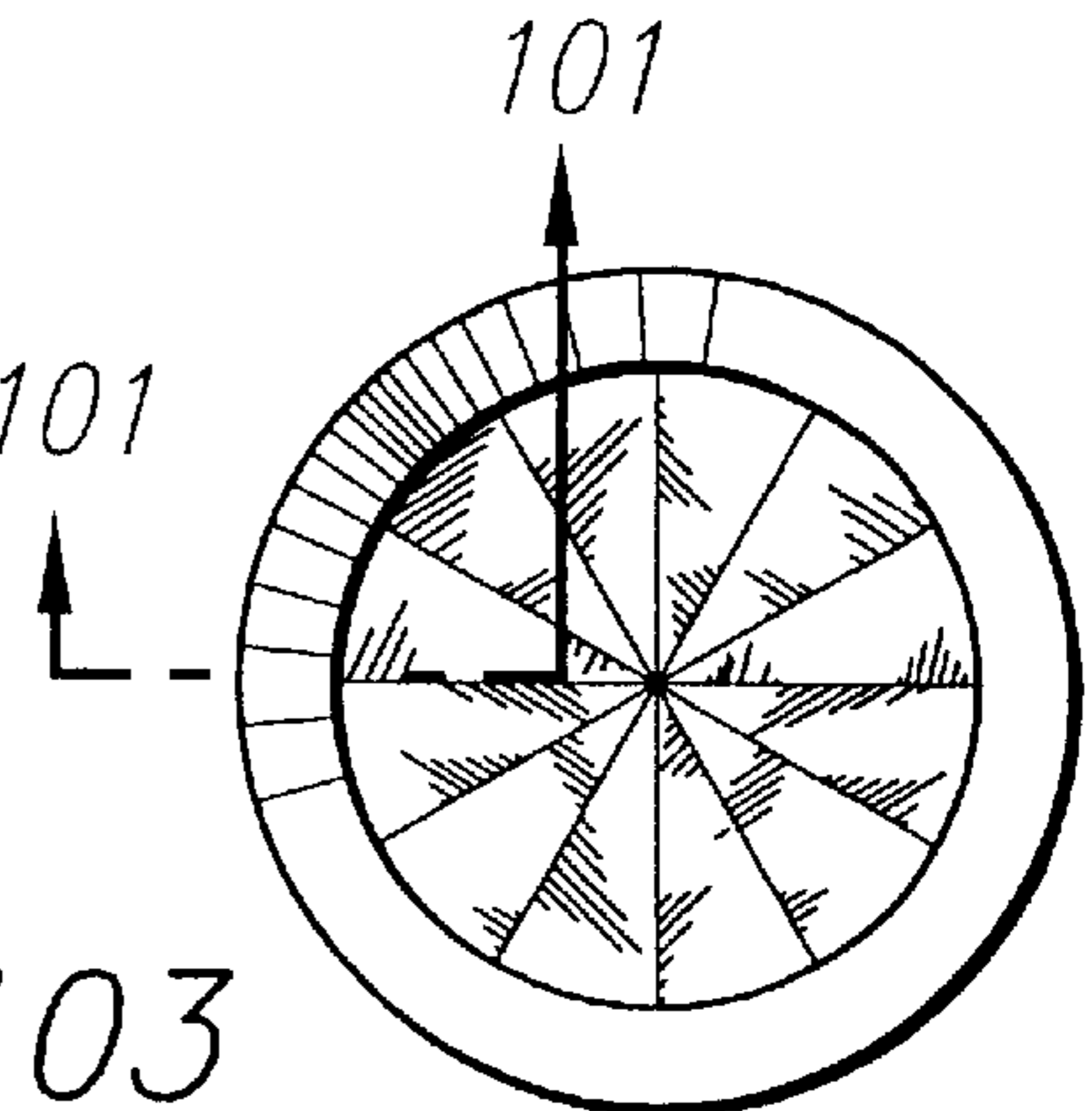


FIG. 103

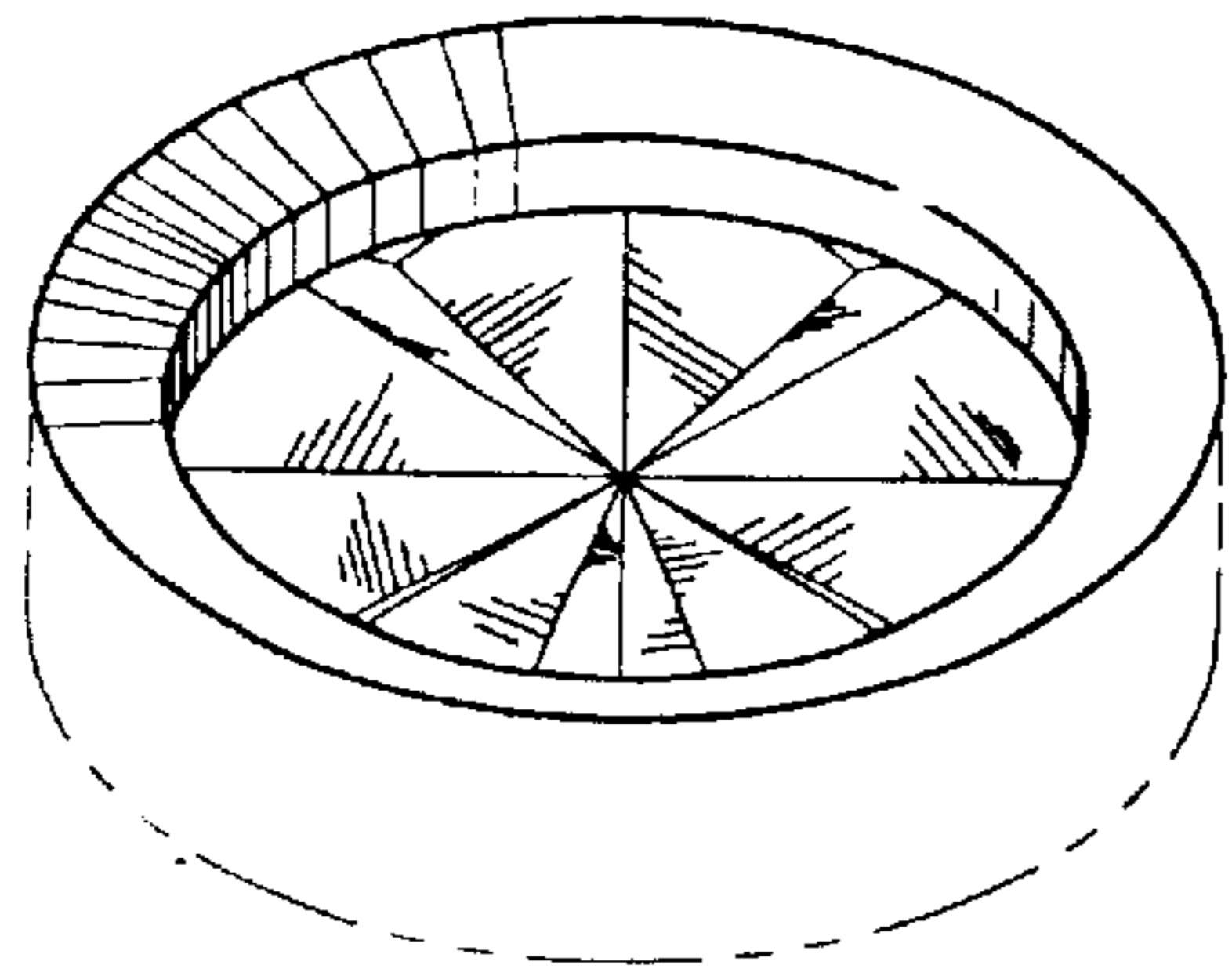


FIG. 104

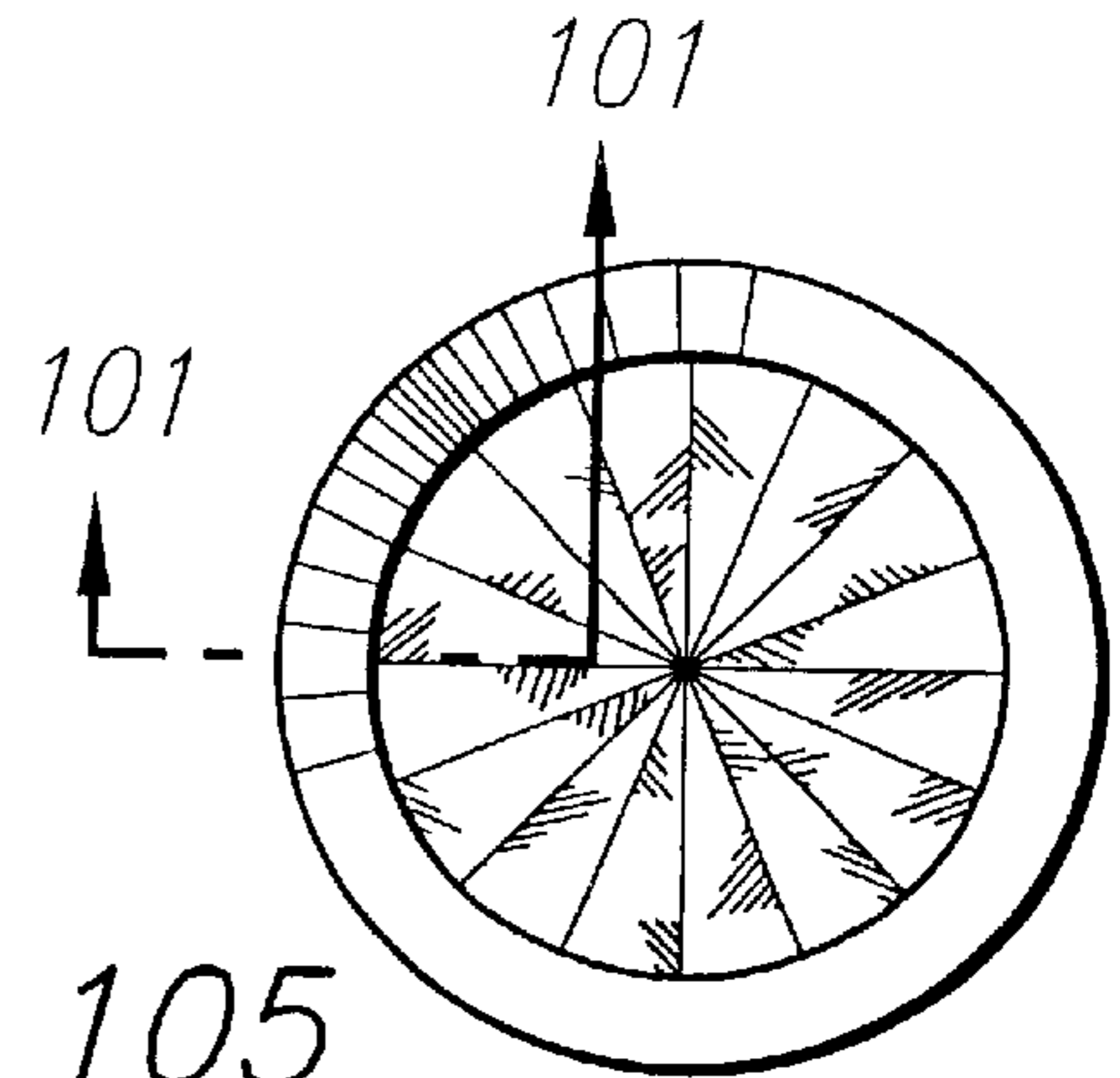


FIG. 105

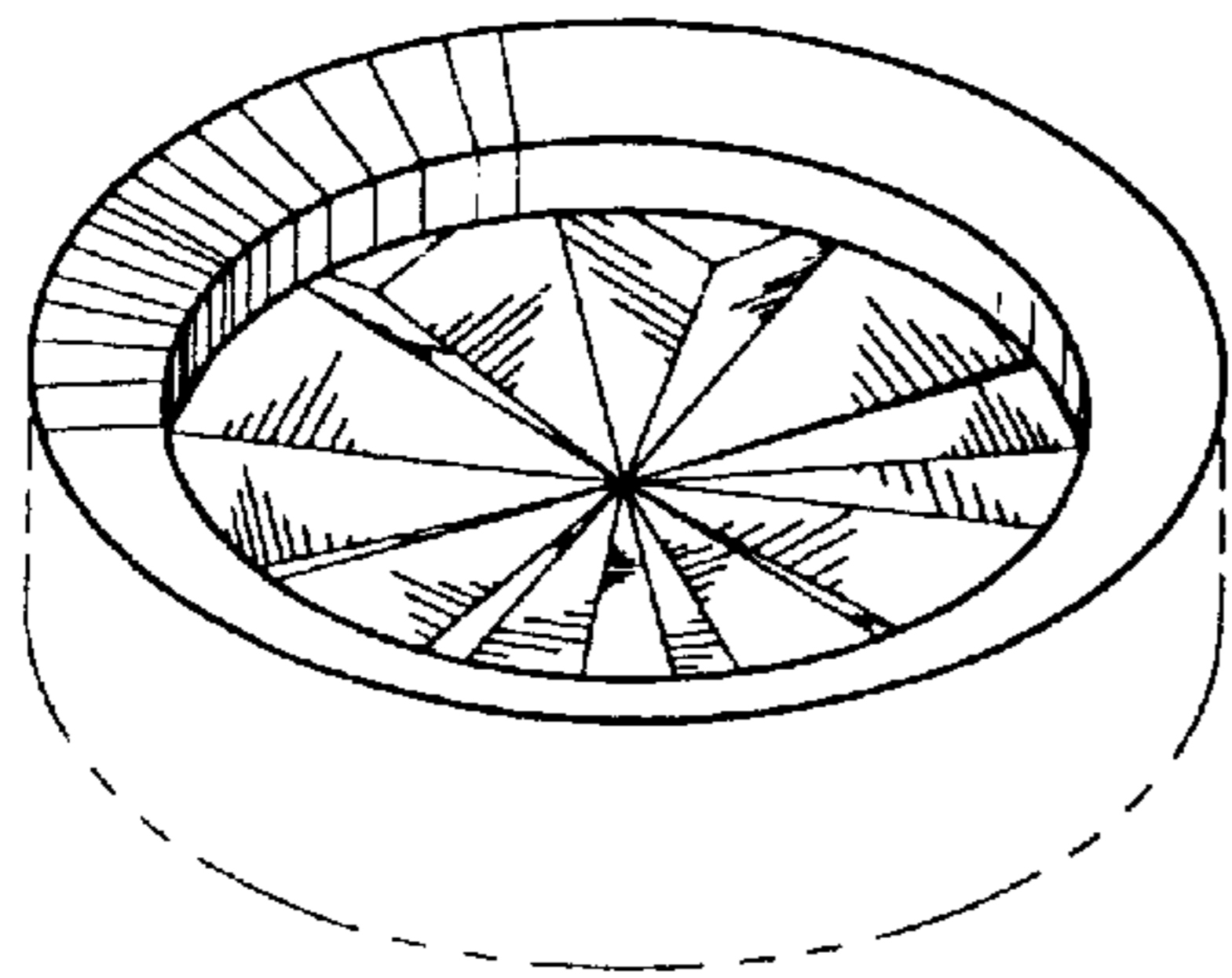


FIG. 106

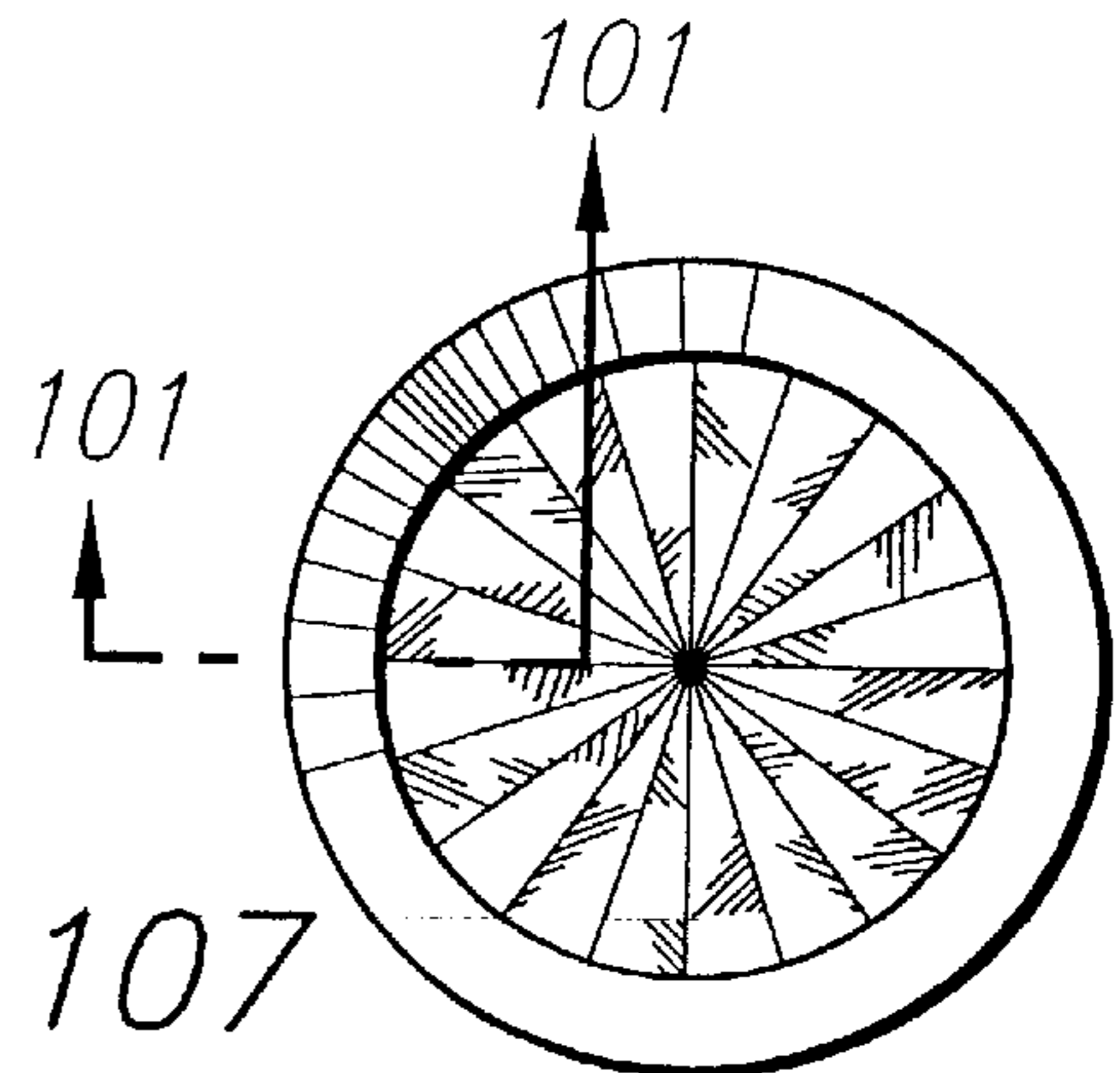


FIG. 107

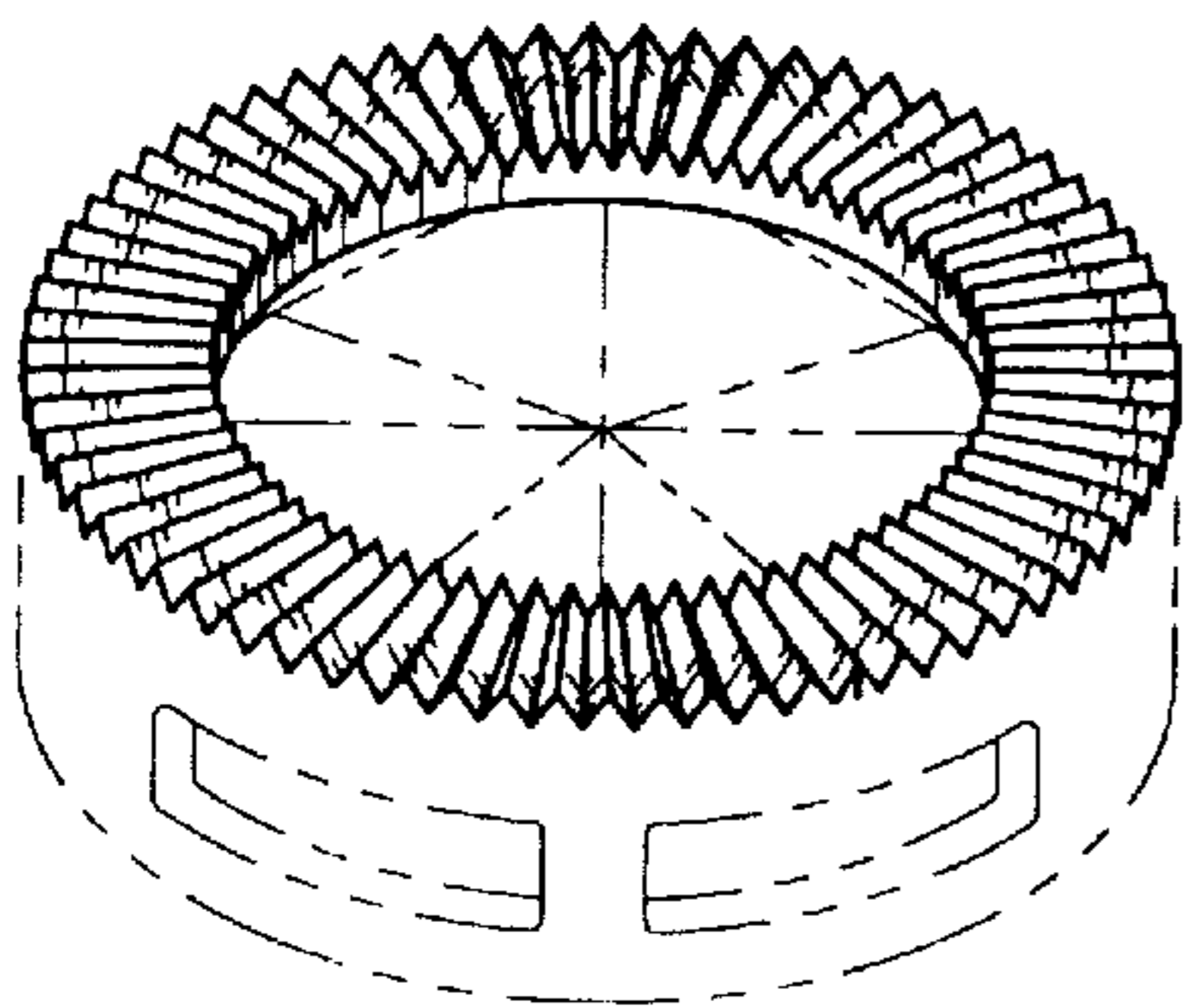


FIG. 108

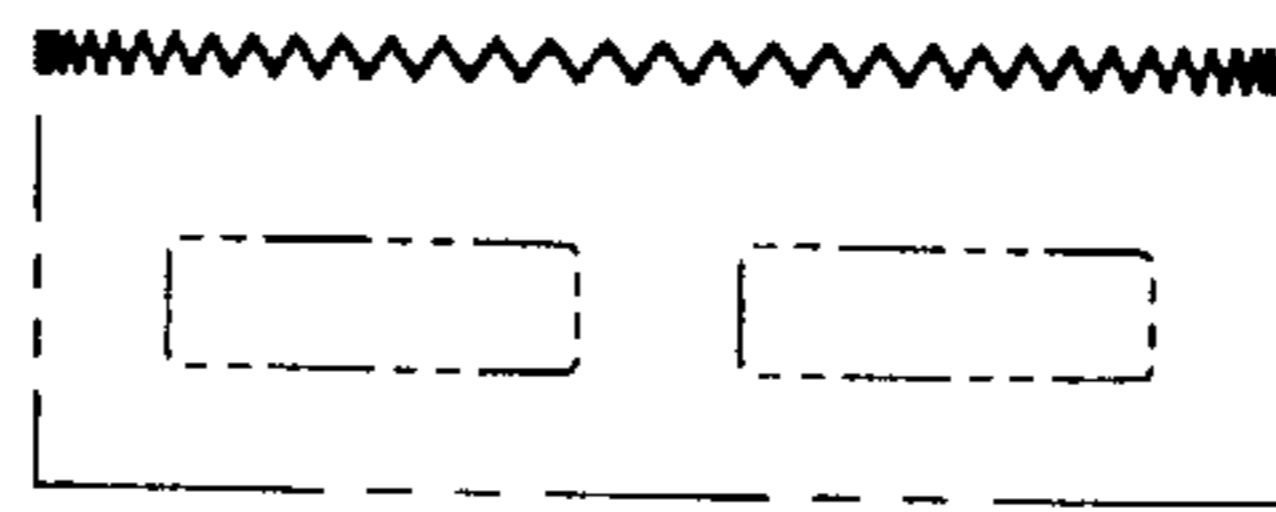


FIG. 110

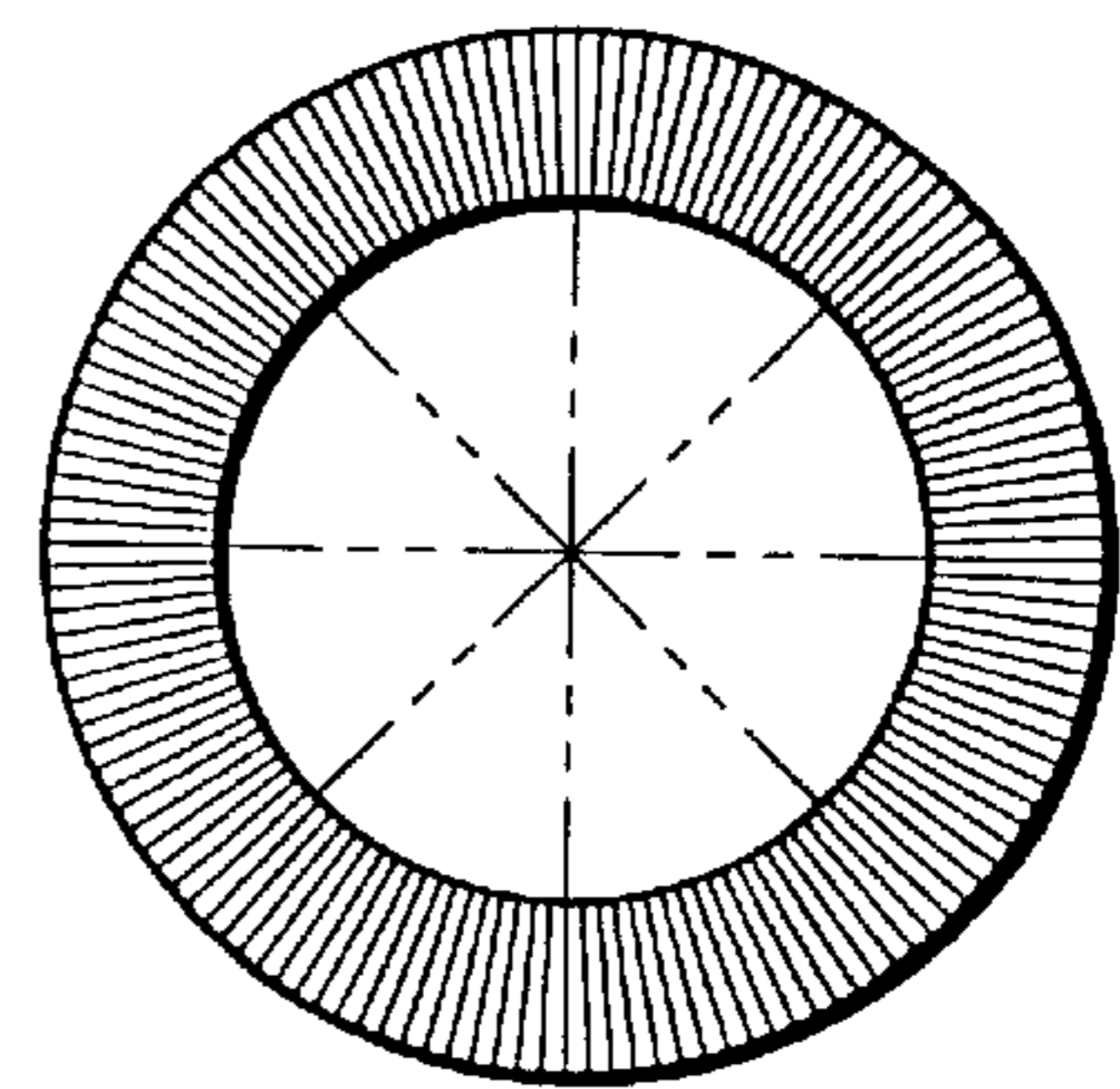


FIG. 109

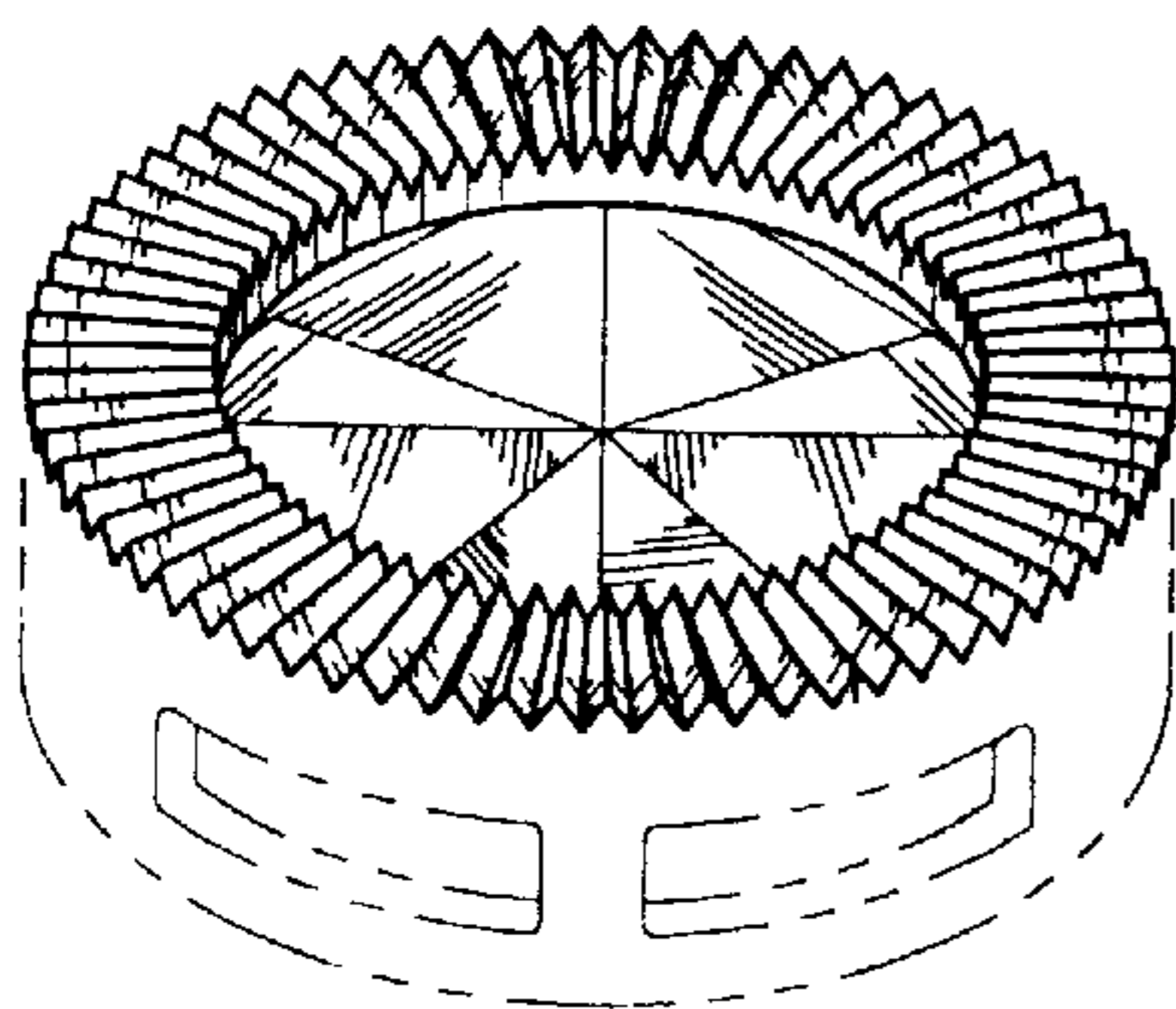


FIG. 111

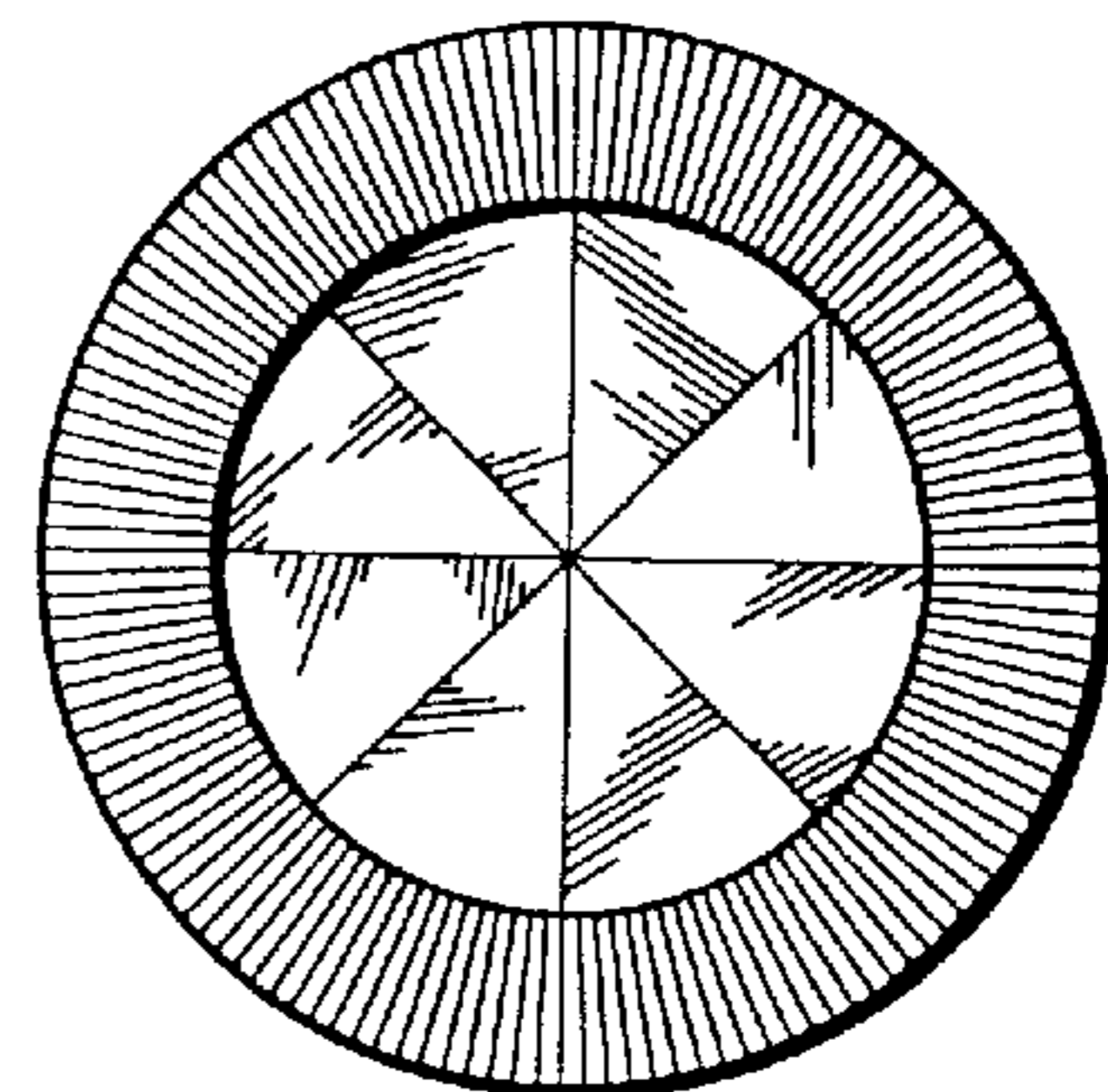


FIG. 112

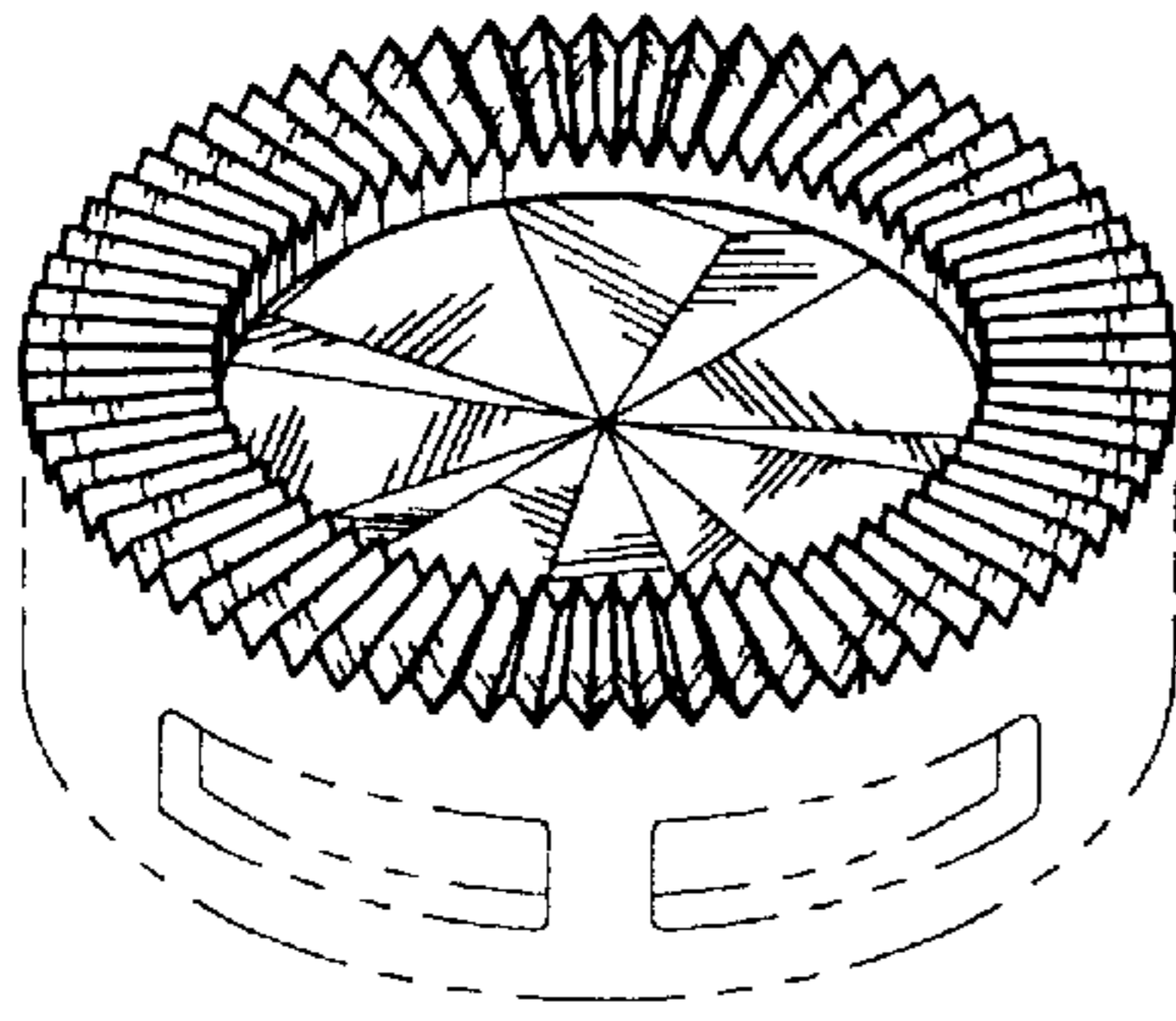


FIG. 113

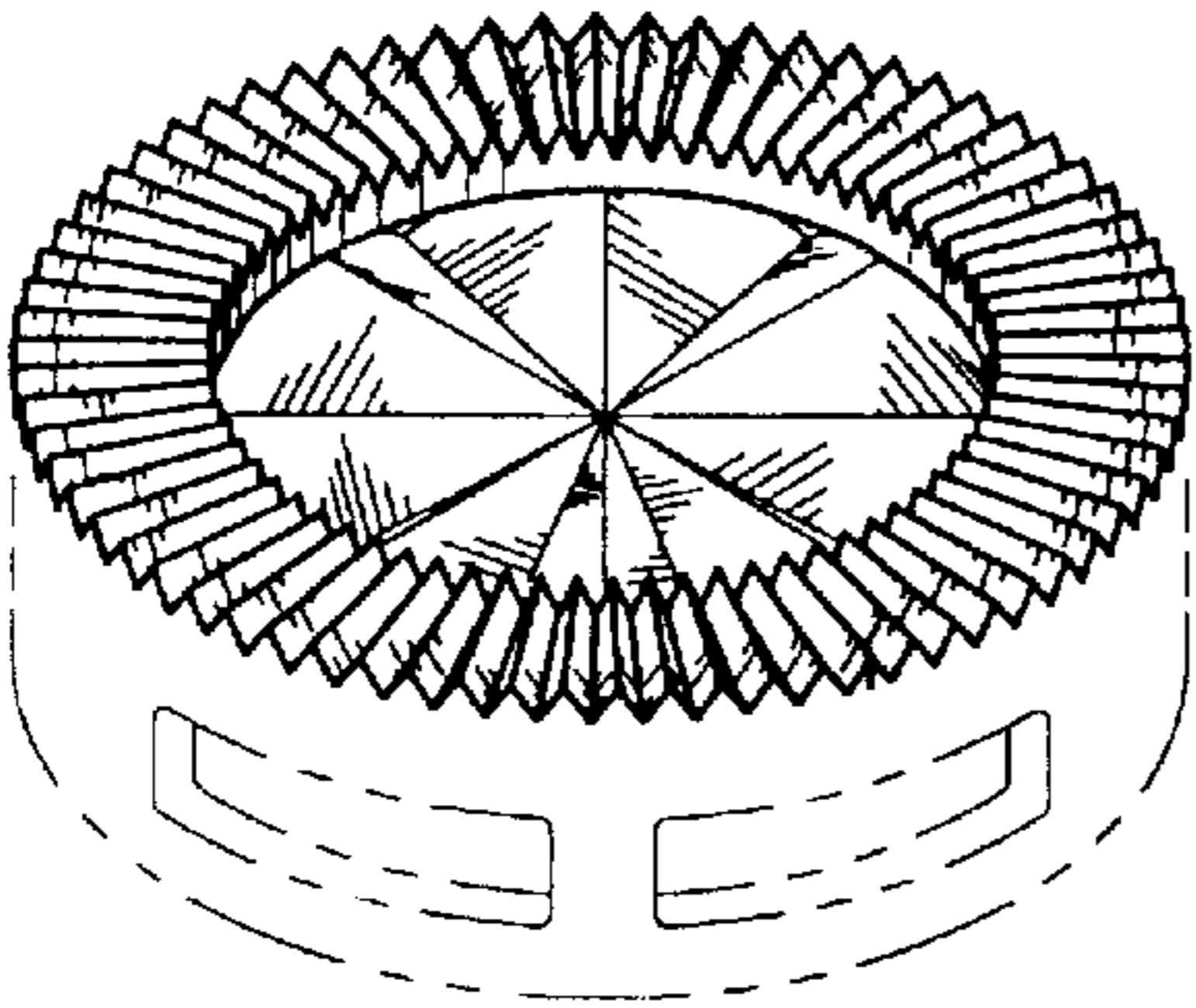


FIG. 115

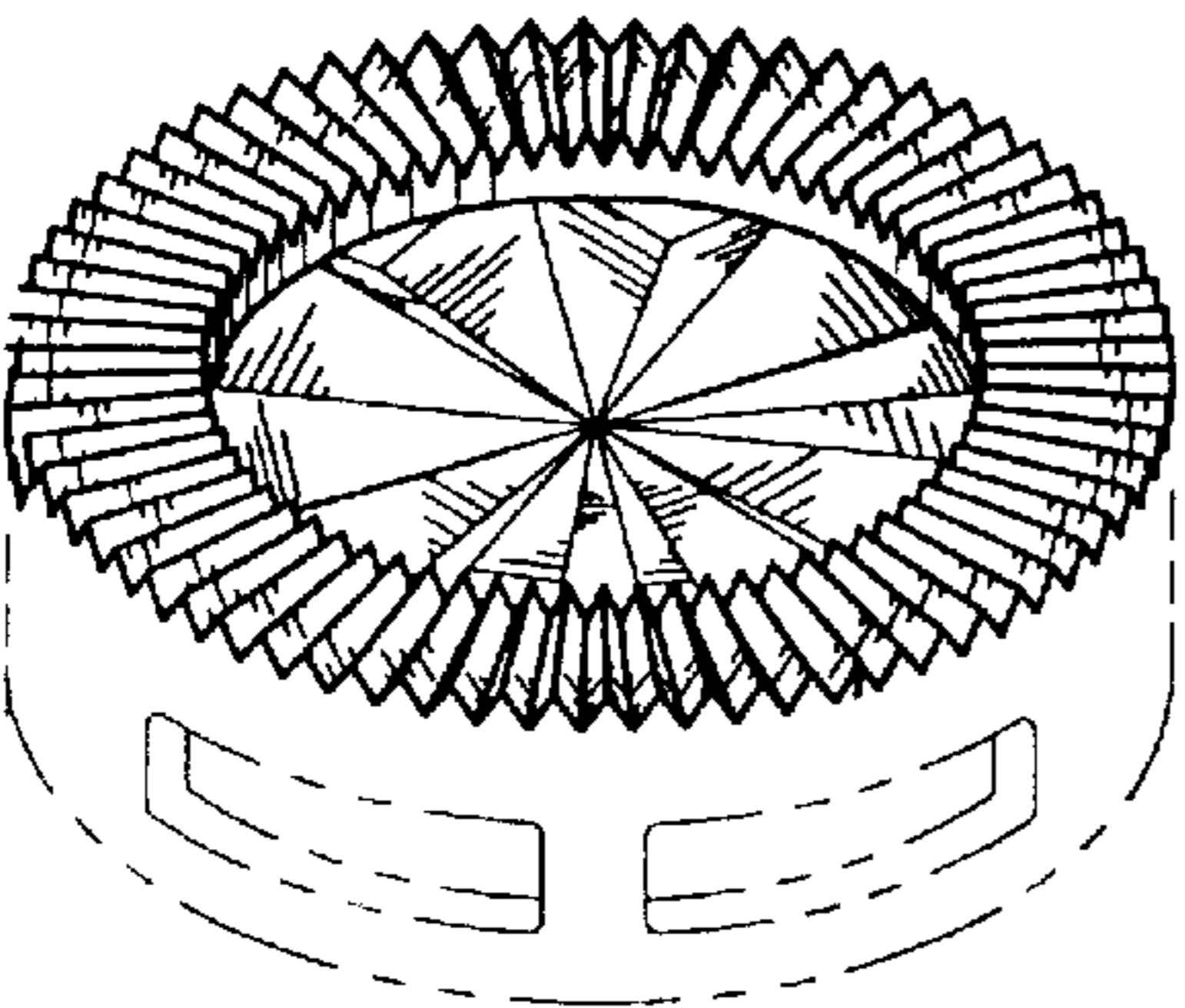


FIG. 117

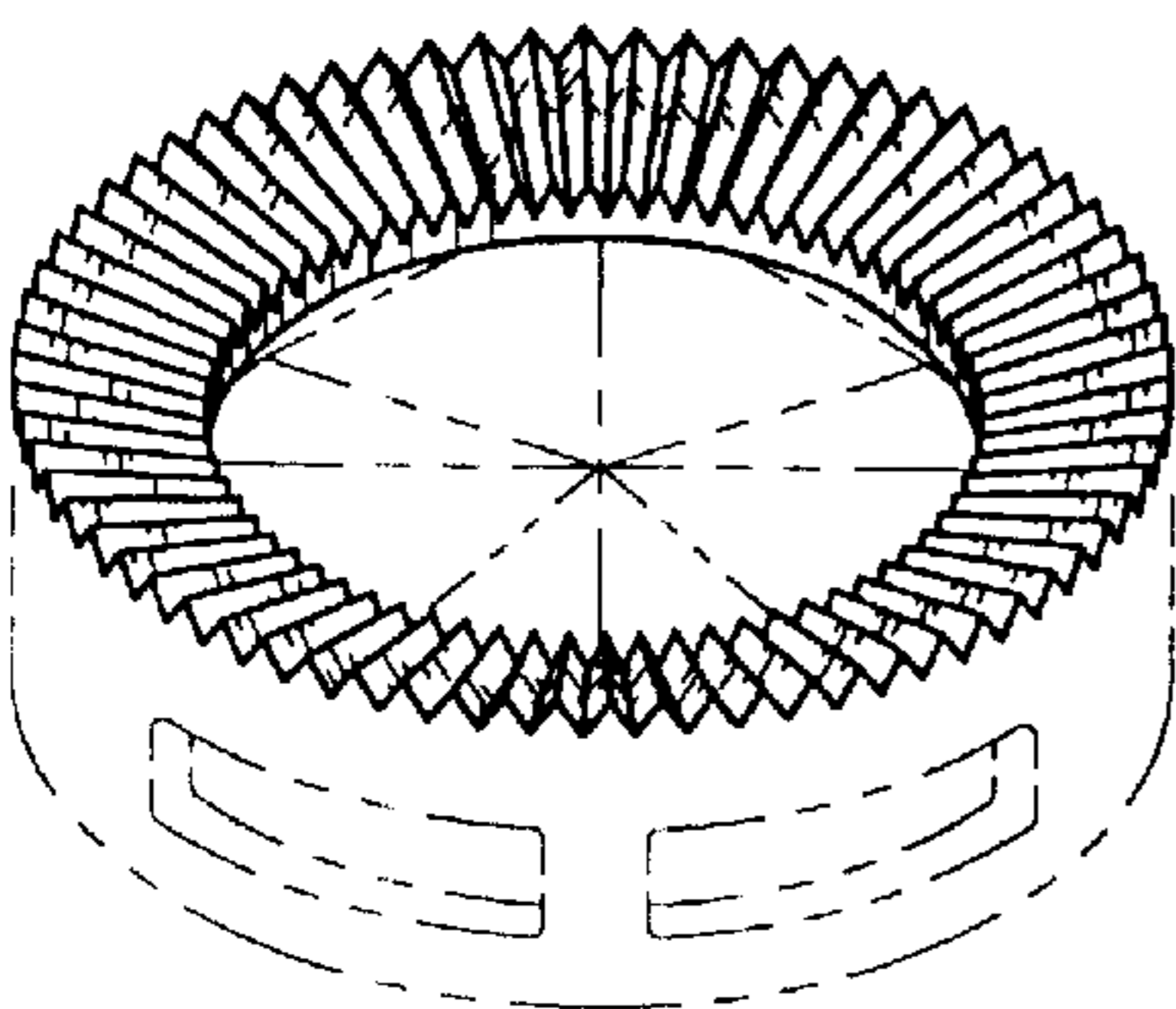


FIG. 119

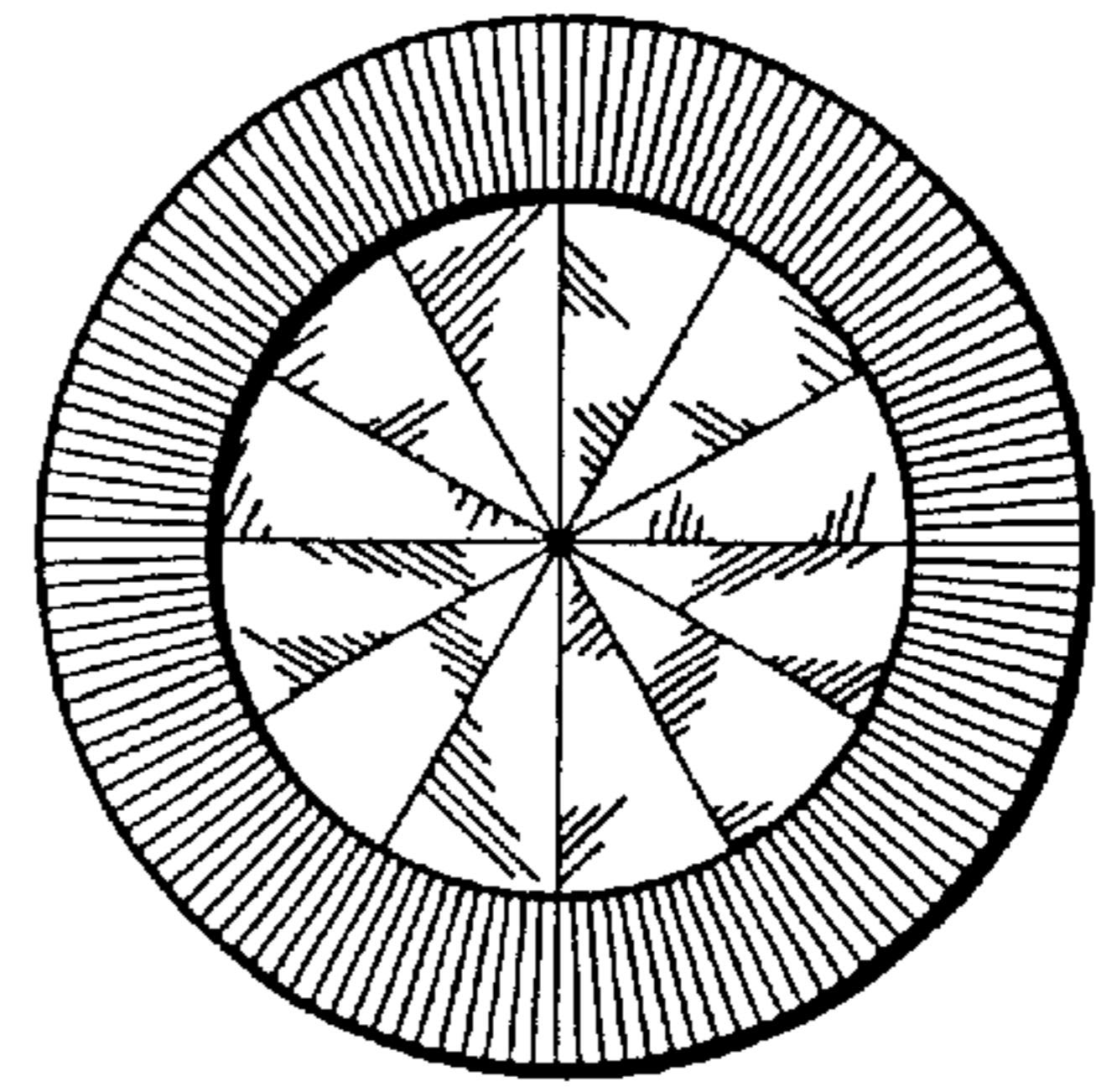


FIG. 114

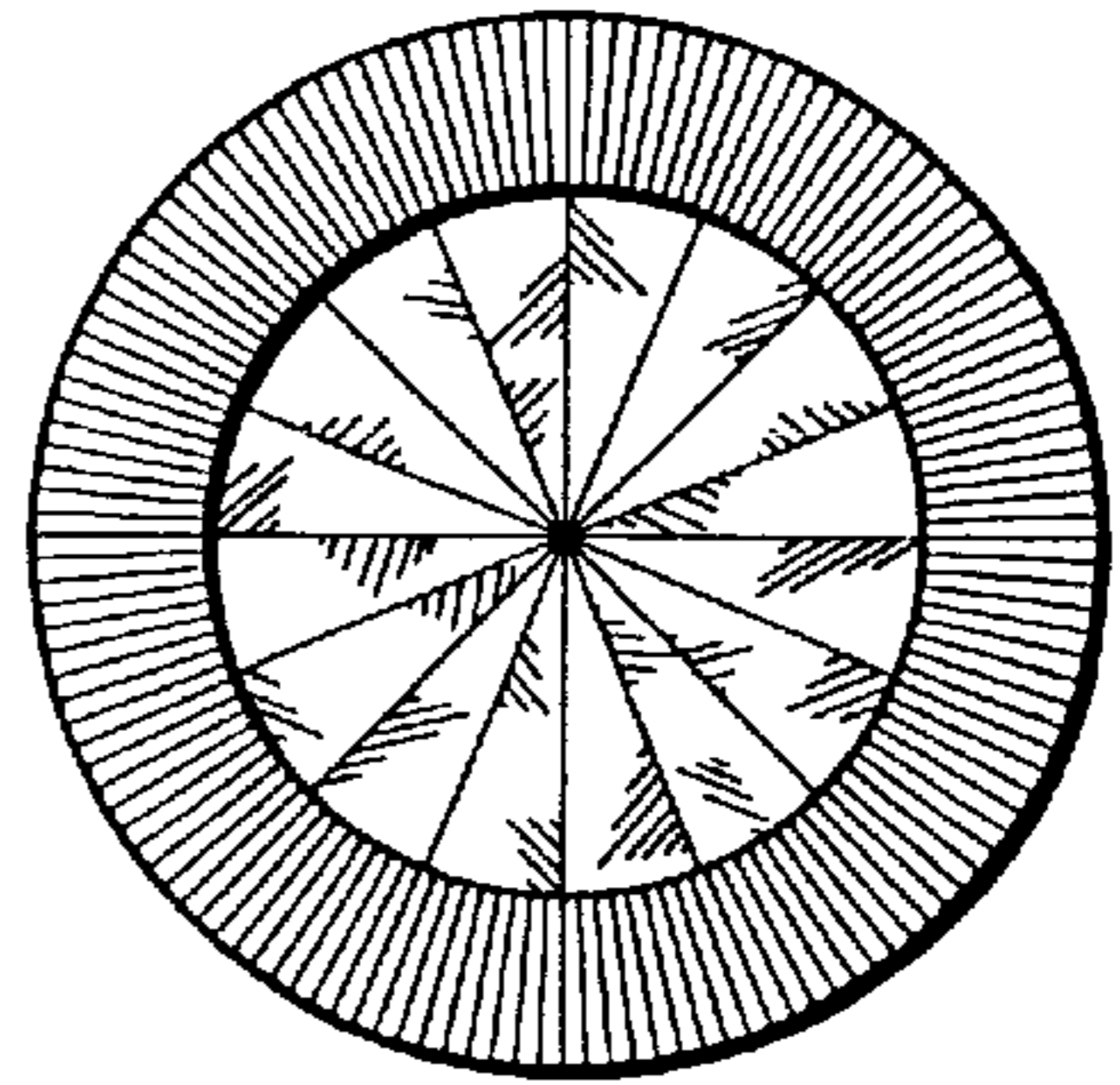


FIG. 116

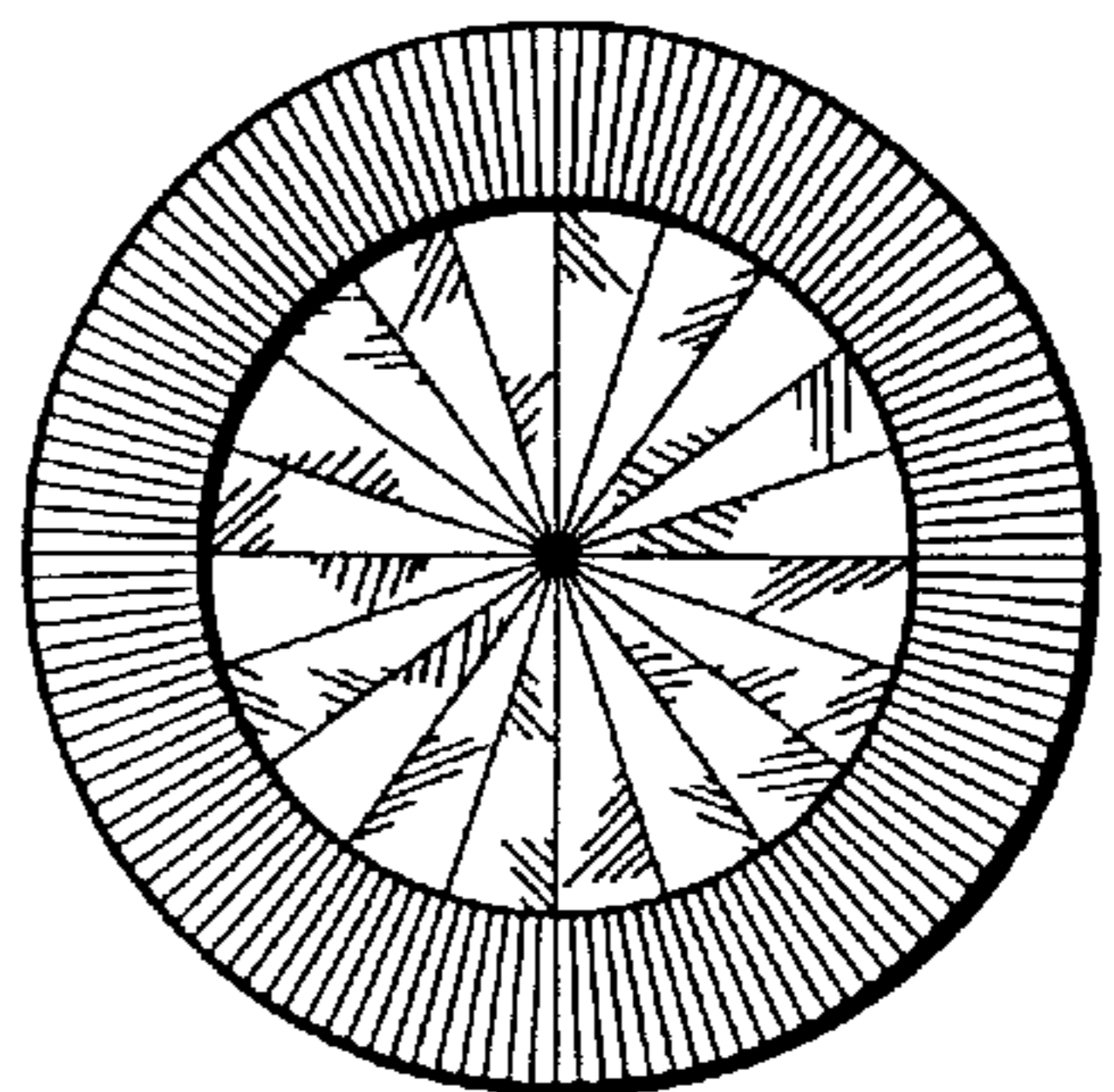


FIG. 118

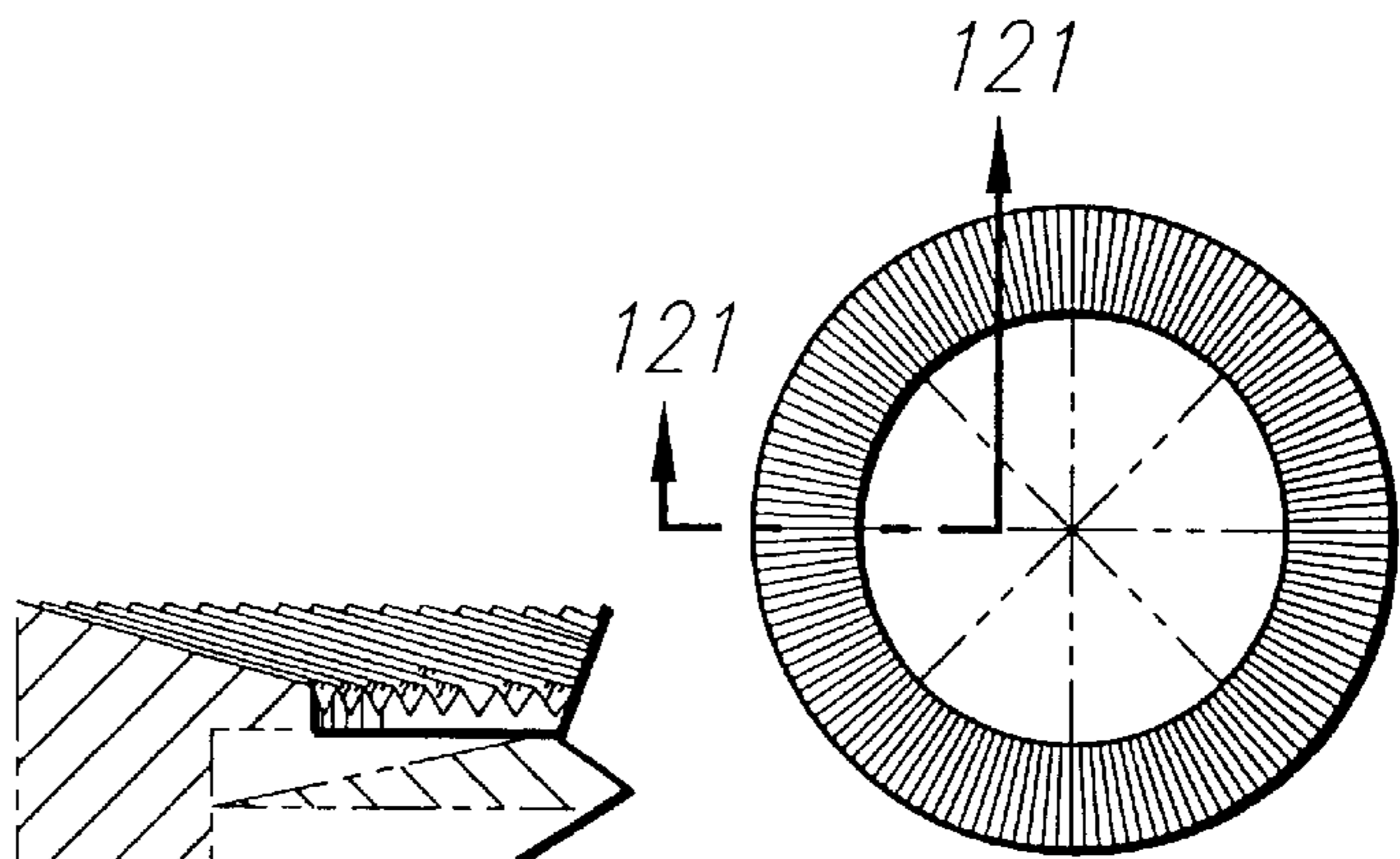


FIG. 120

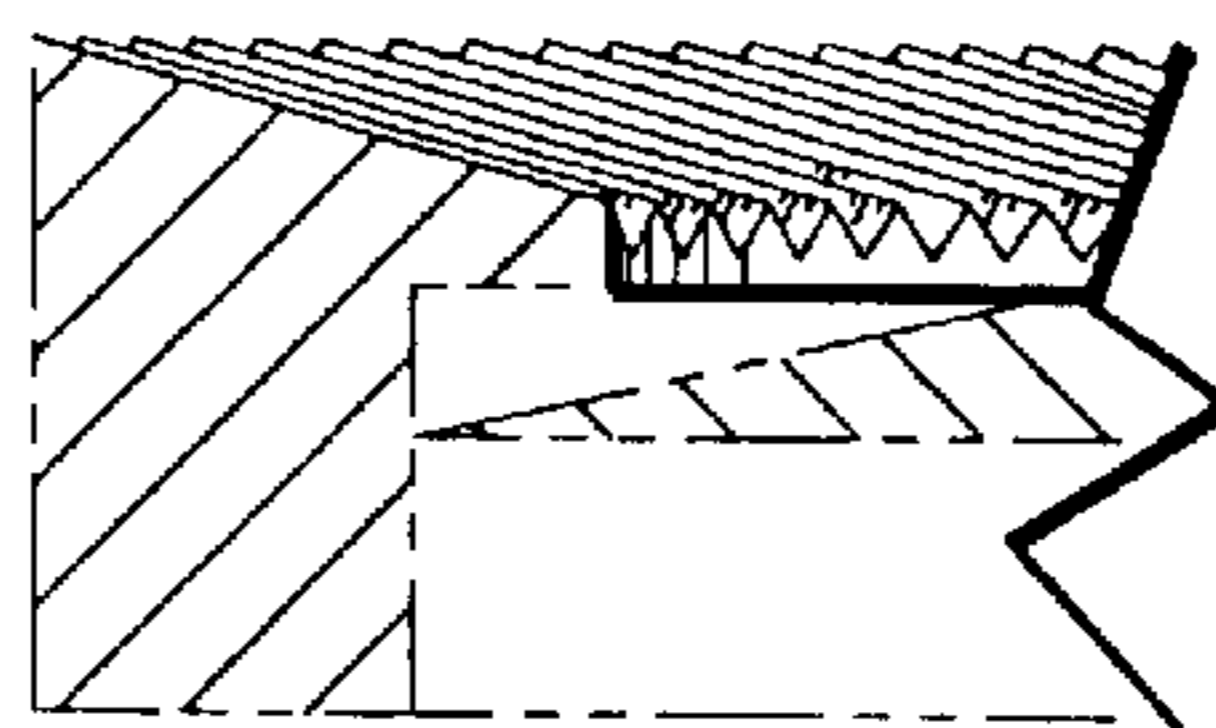


FIG. 121

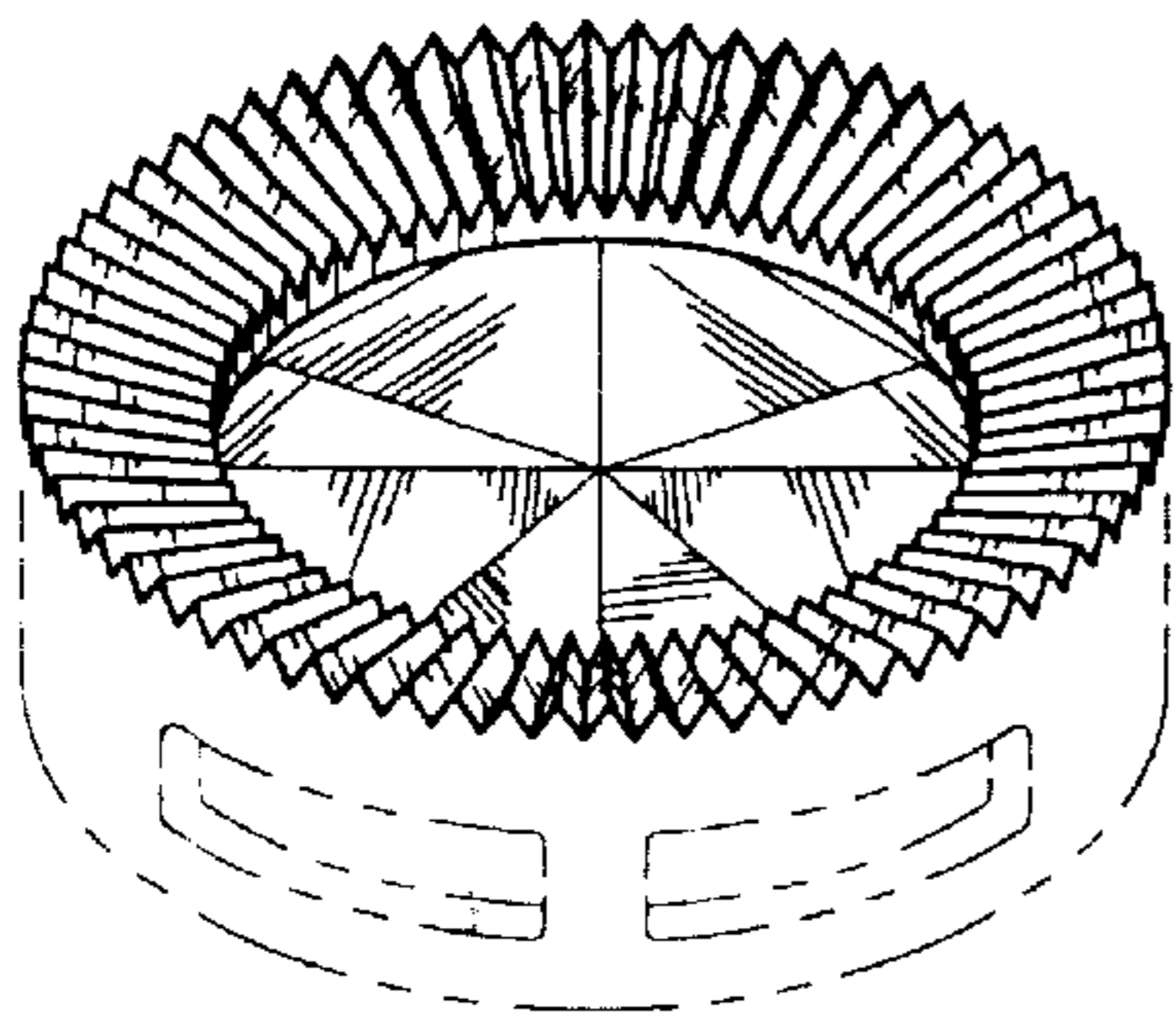


FIG. 122

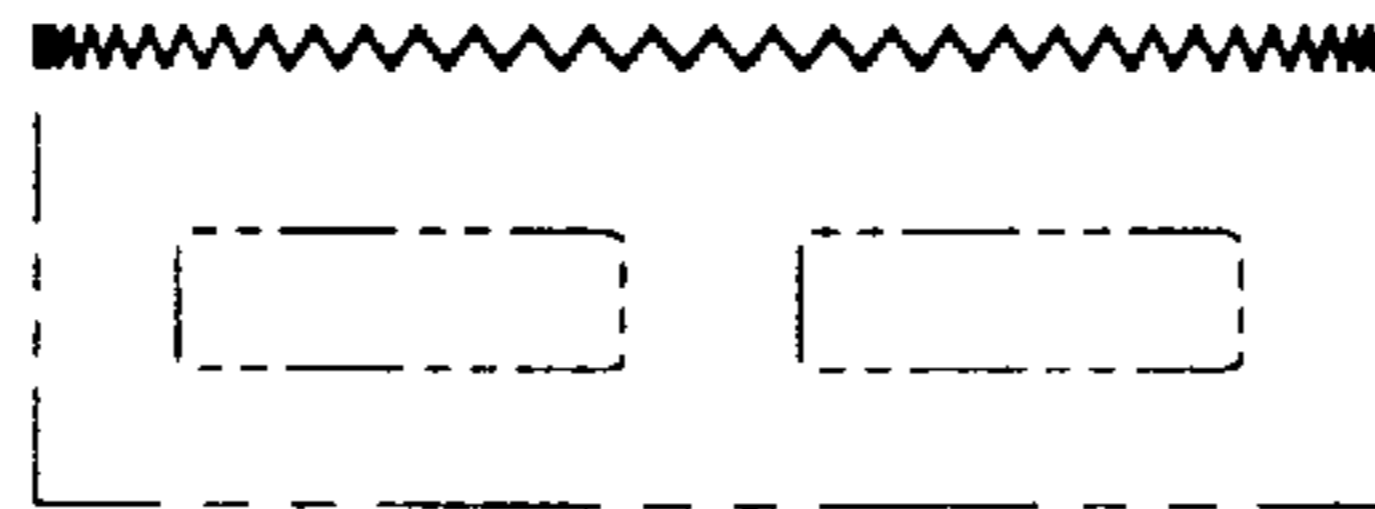


FIG. 124

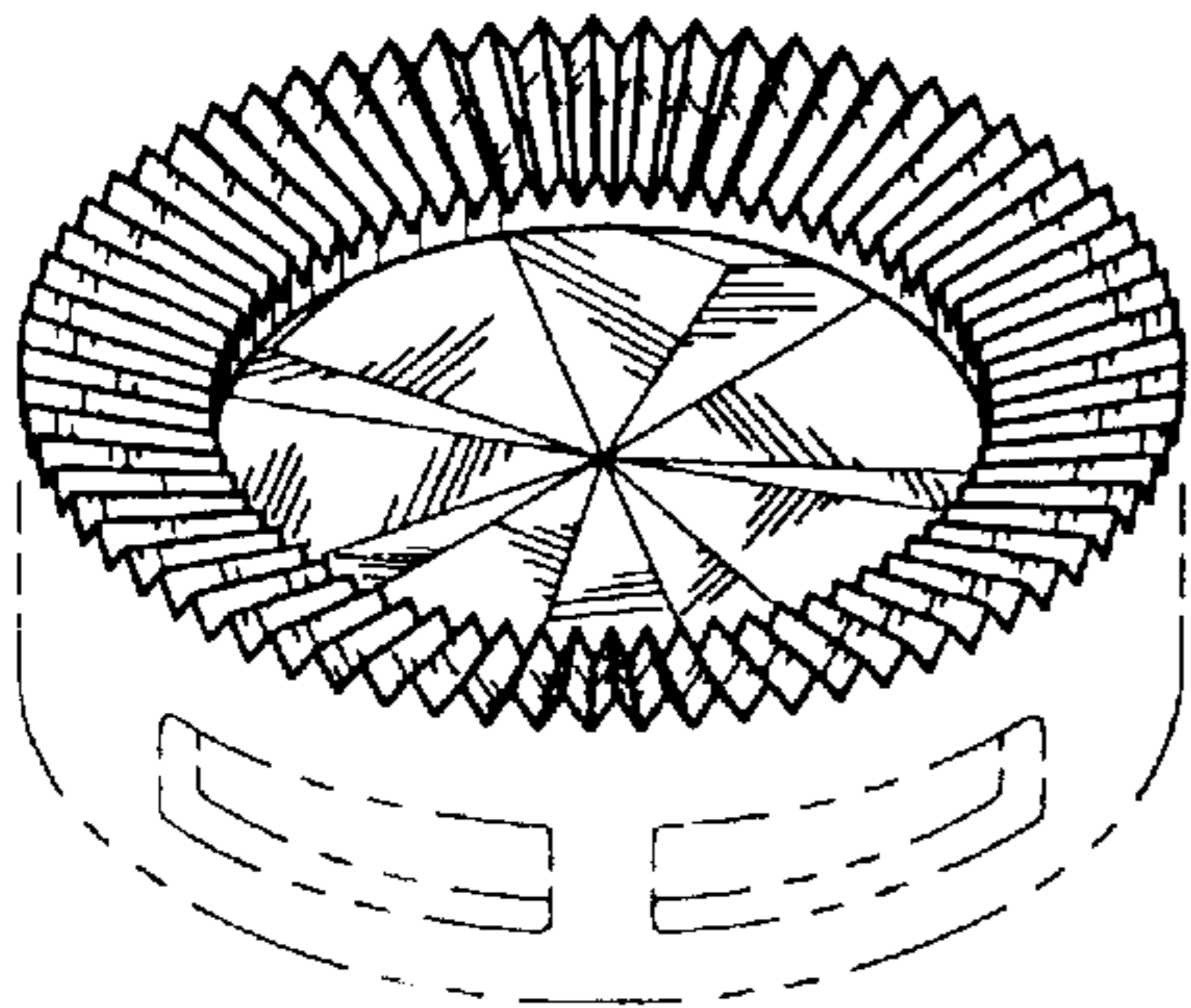


FIG. 126

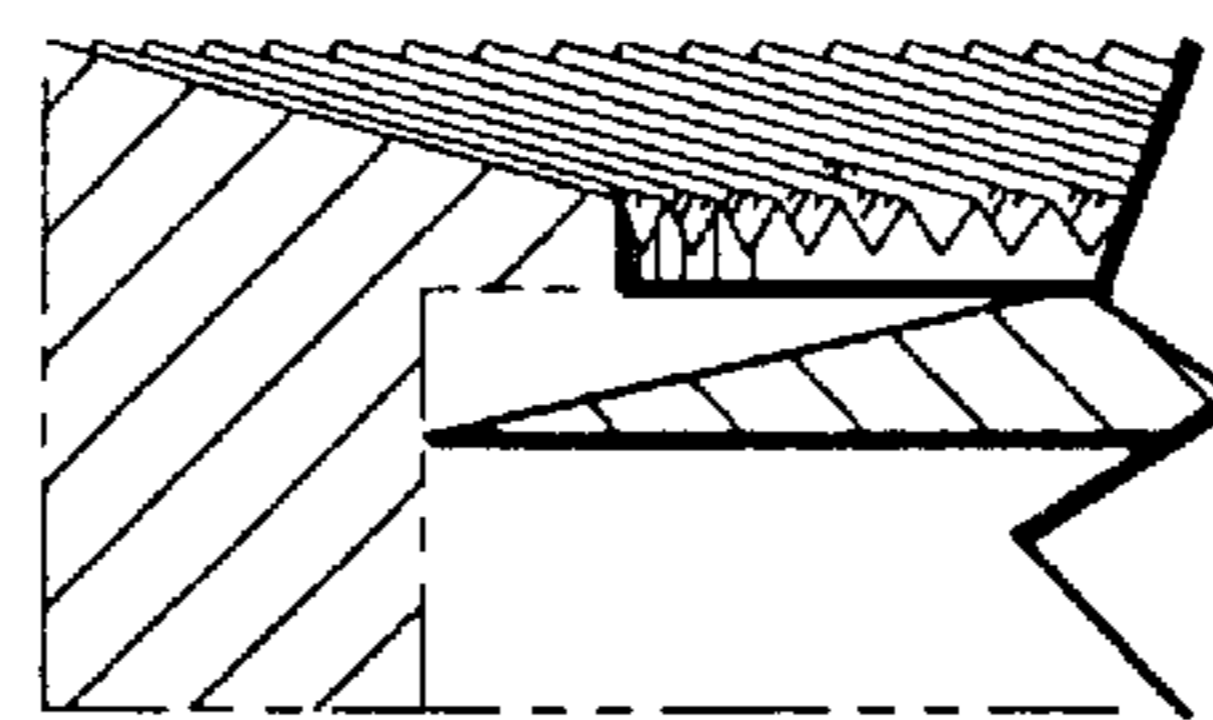


FIG. 125

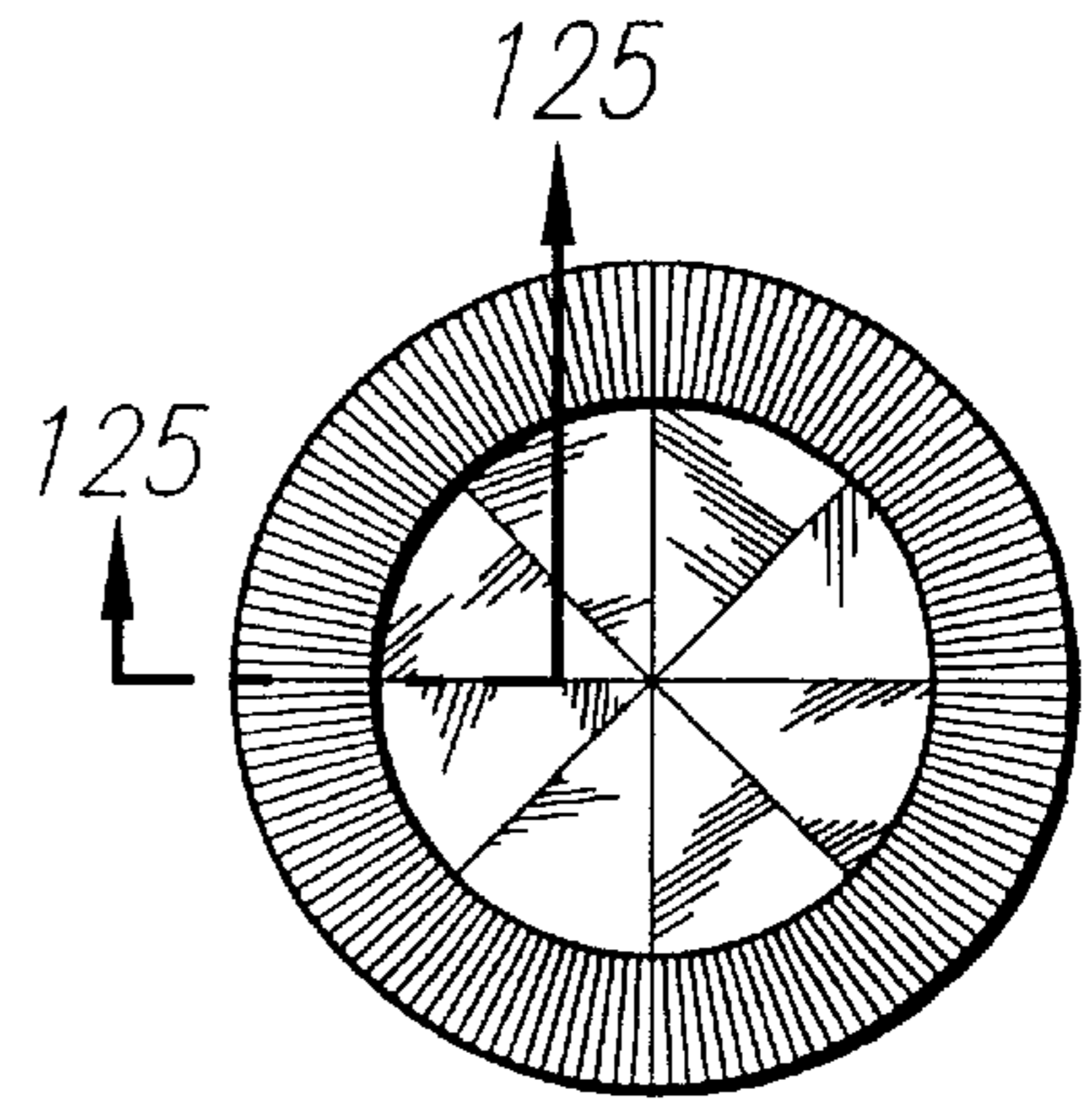


FIG. 123

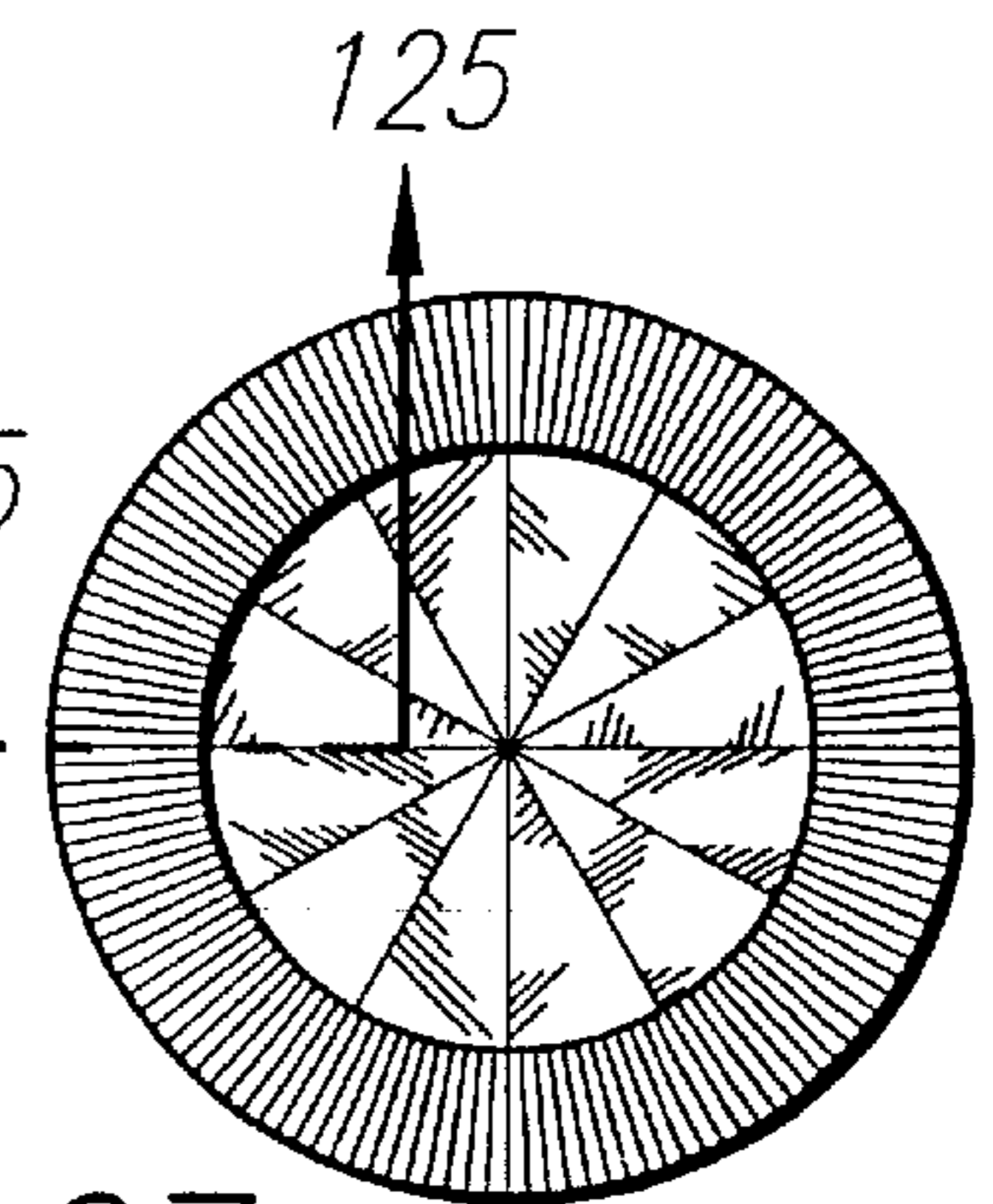


FIG. 127

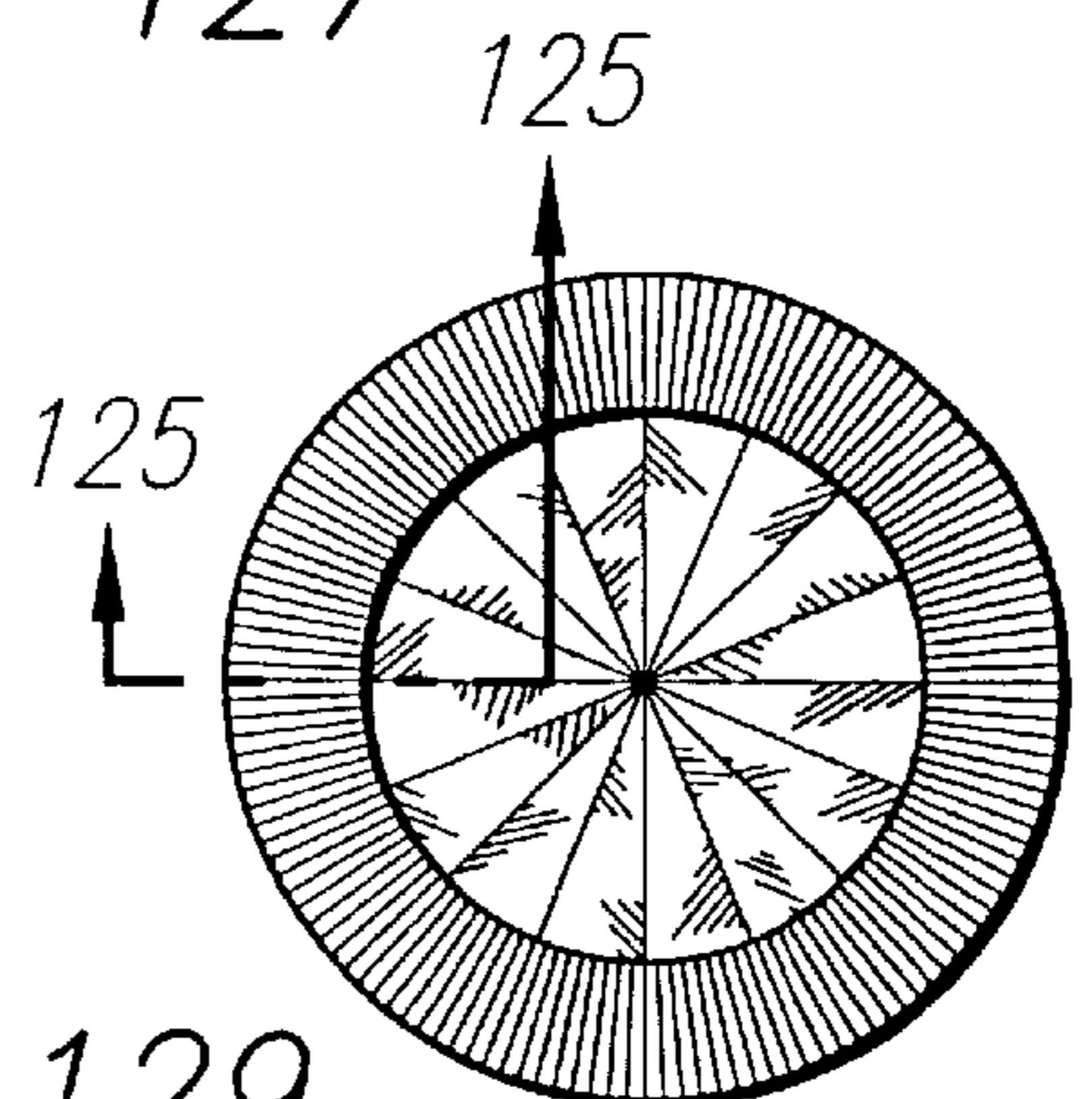


FIG. 129

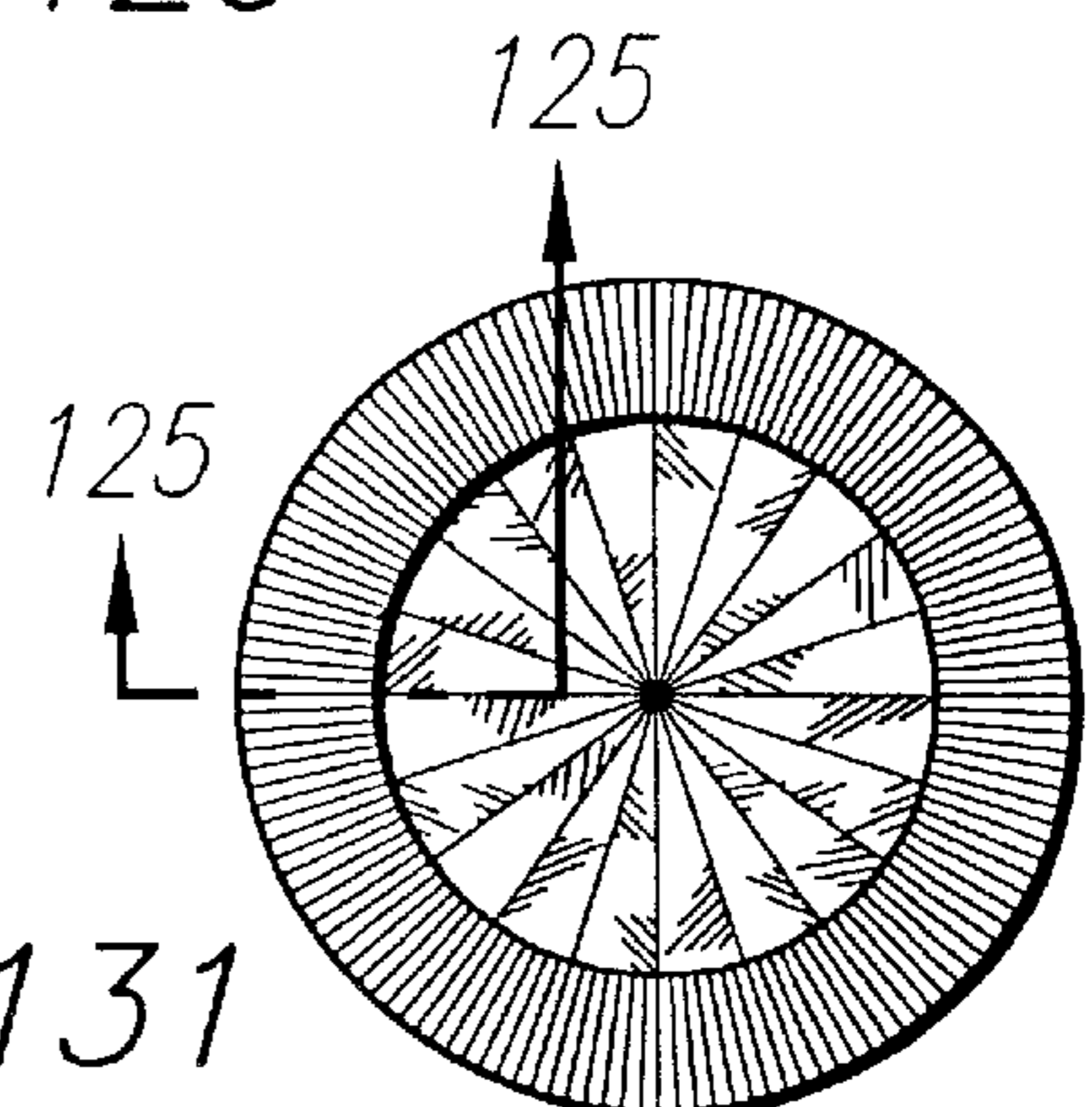


FIG. 131

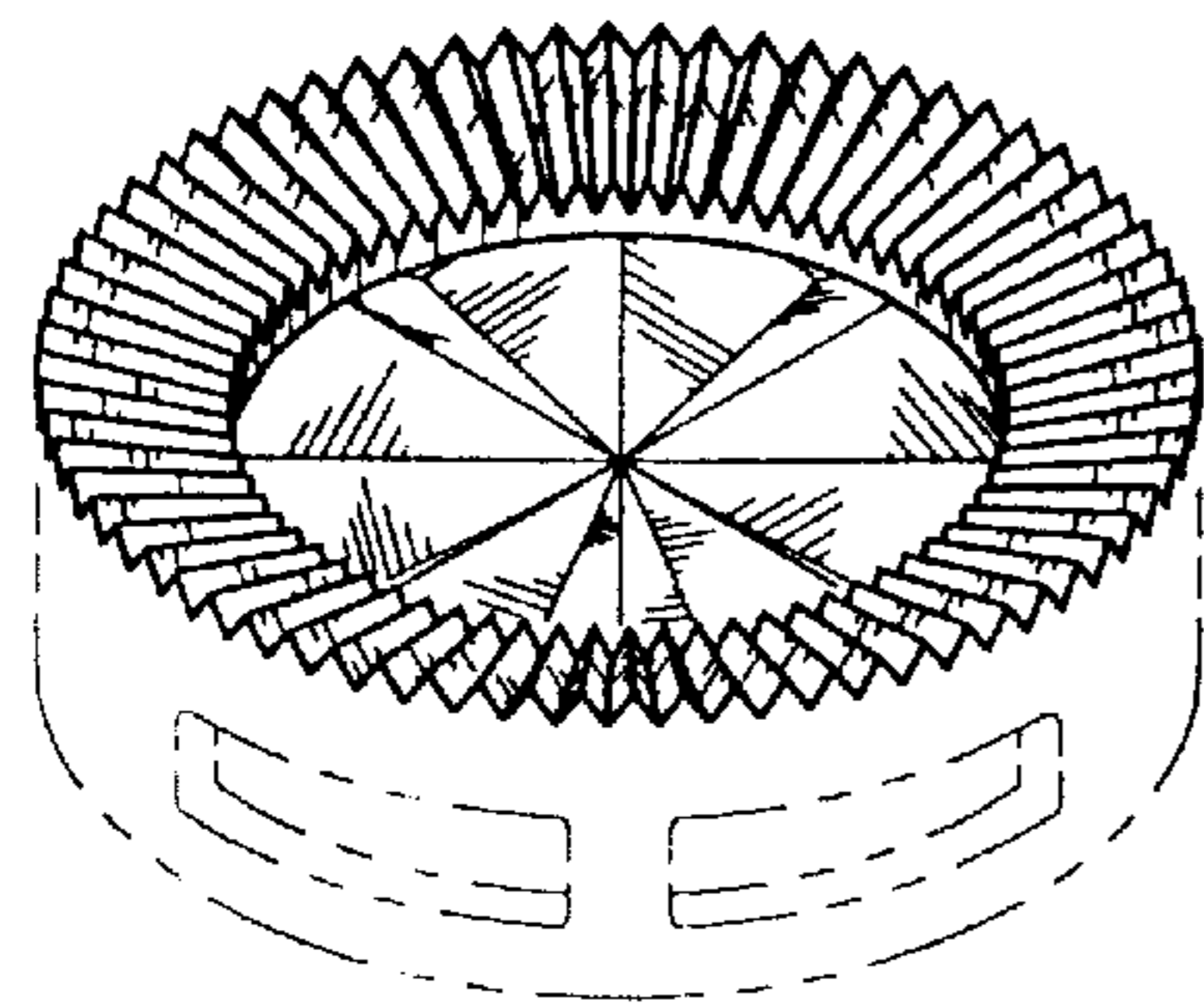


FIG. 128

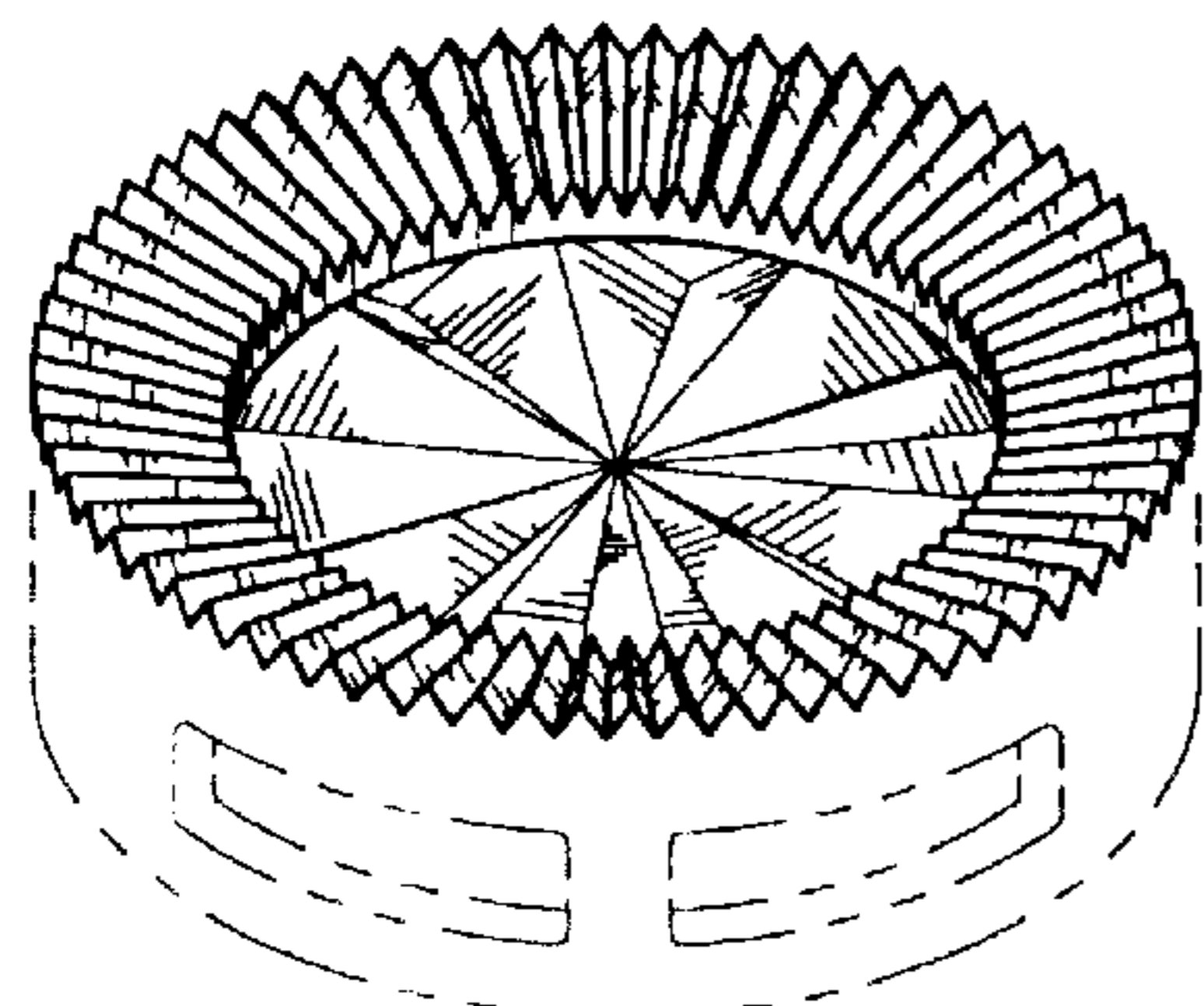


FIG. 130