



US00D471127S

(12) **United States Design Patent**
James

(10) **Patent No.:** **US D471,127 S**

(45) **Date of Patent:** **** Mar. 4, 2003**

(54) **SWORD BRACELET**

(57) **CLAIM**

(76) **Inventor:** **Tommy J. James**, 1806 Bailey Ave.,
Wilmington, NC (US) 28411

The ornamental design for a sword bracelet, as shown and described.

(**) **Term:** **14 Years**

DESCRIPTION

(21) **Appl. No.:** **29/160,242**

FIG. 1 is a perspective view of a first embodiment of the bracelet.

(22) **Filed:** **May 6, 2002**

FIG. 2 is a front view of FIG. 1.

(51) **LOC (7) Cl.** **11-01**

FIG. 3 is a rear view of FIG. 1.

(52) **U.S. Cl.** **D11/4**

FIG. 4 is a left side view of FIG. 1.

(58) **Field of Search** D11/1-15, 18-20,
D11/22-25, 93; 63/3, 4, 9, 21, 38

FIG. 5 is a right side view of FIG. 1.

FIG. 6 is a top view of FIG. 1.

FIG. 7 is a bottom view of FIG. 1.

(56) **References Cited**

FIG. 8 is a perspective view of a second embodiment of the bracelet.

U.S. PATENT DOCUMENTS

FIG. 9 is a front view of FIG. 8.

FIG. 10 is a rear view of FIG. 8.

D385,812 S * 11/1997 Miller et al. D11/3

FIG. 11 is a left side view of FIG. 8.

D393,224 S * 4/1998 Miller D11/4

FIG. 12 is a right side view of FIG. 8.

* cited by examiner

FIG. 13 is a top view of FIG. 8; and,

FIG. 14 is a bottom view of FIG. 8.

Primary Examiner—Ralf Seifert

(74) *Attorney, Agent, or Firm*—MacCord Mason PLLC

1 Claim, 8 Drawing Sheets

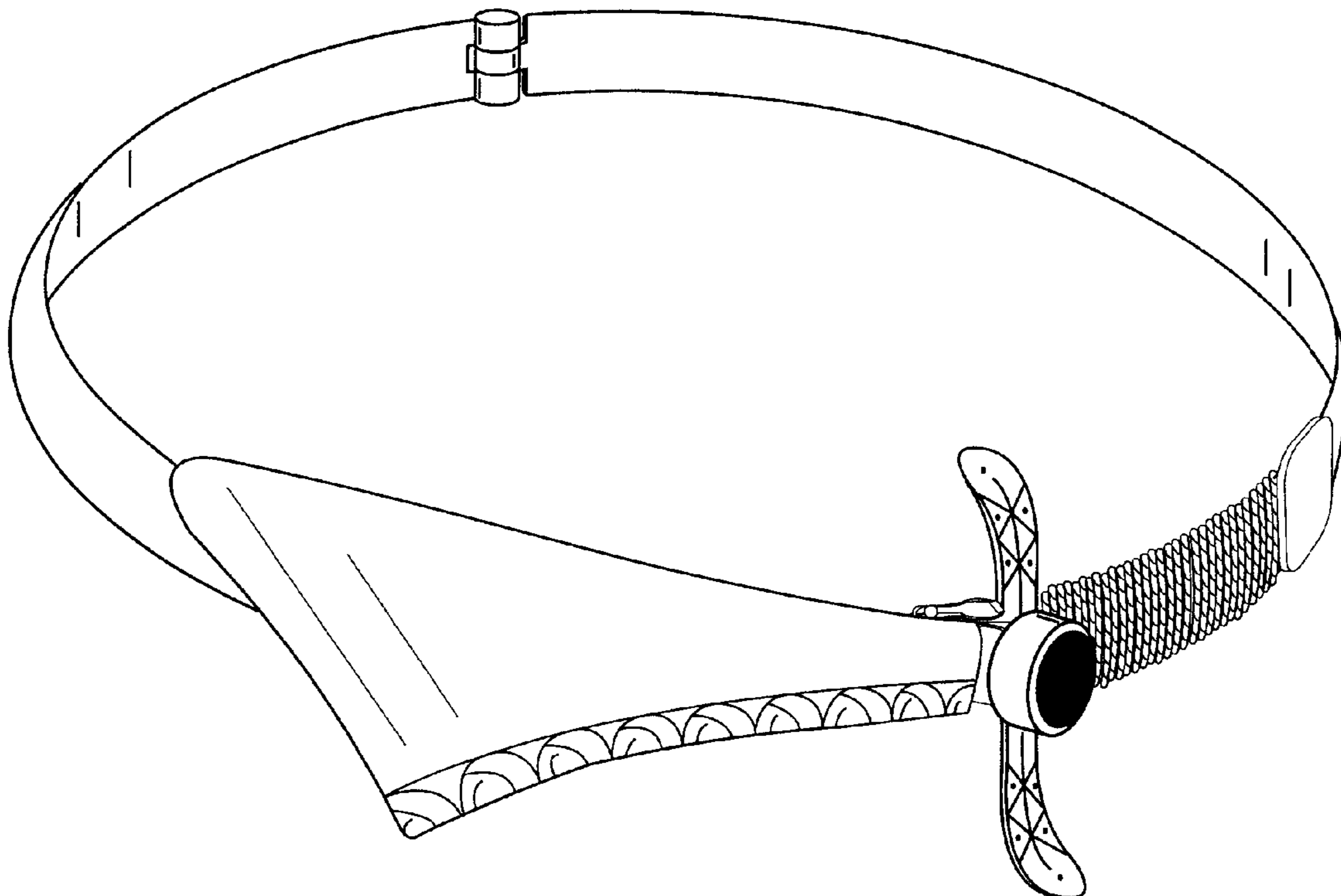


Fig. 1

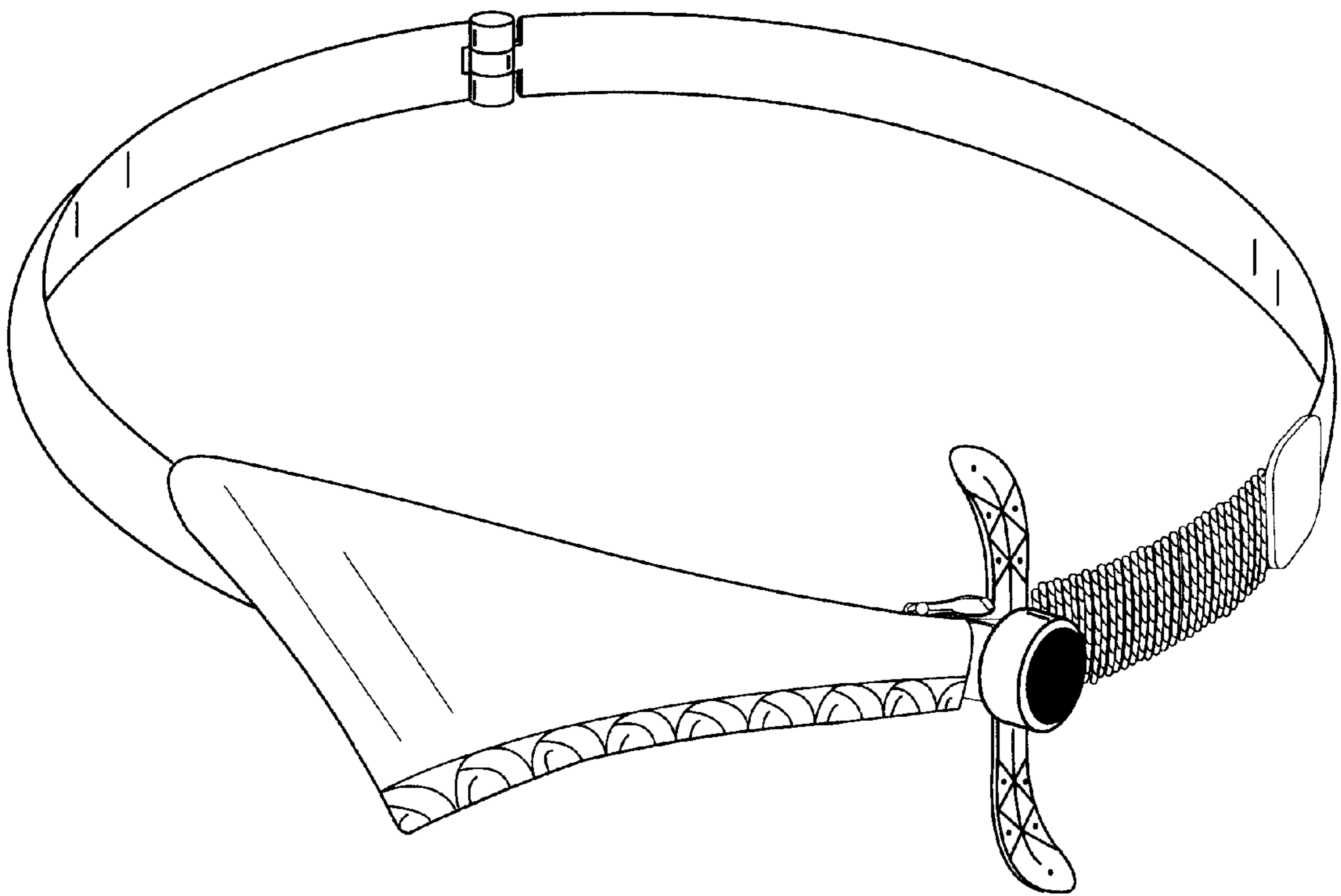


Fig. 2

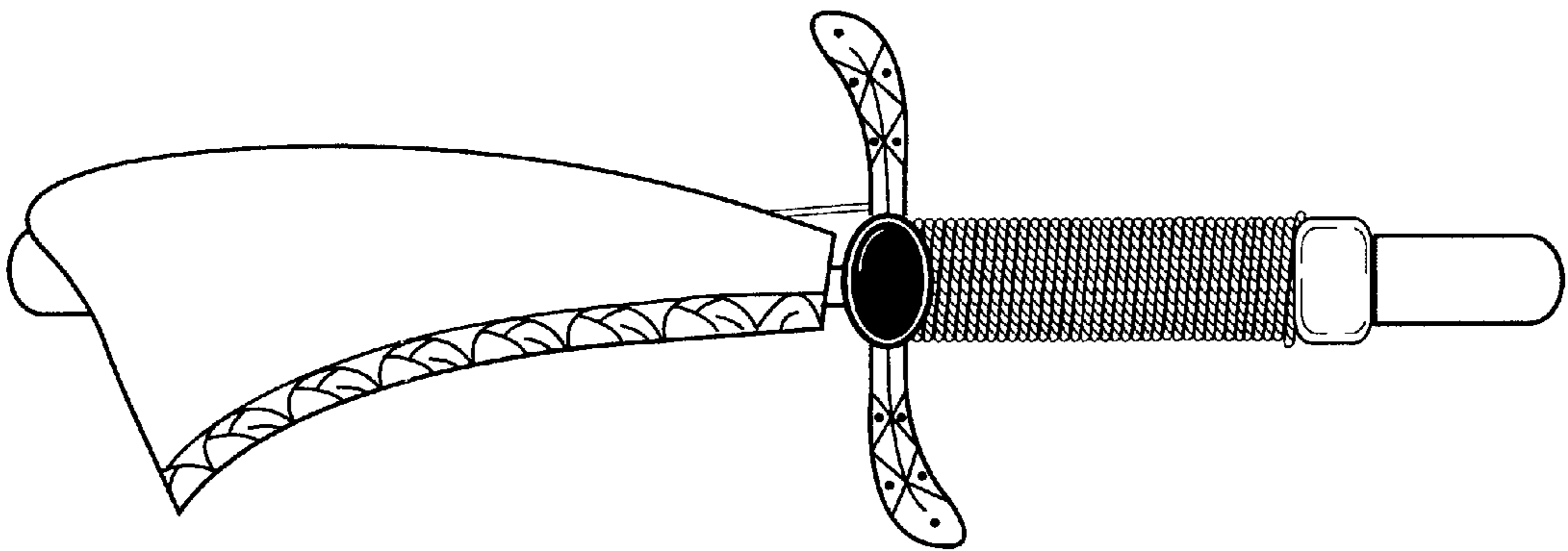


Fig. 3

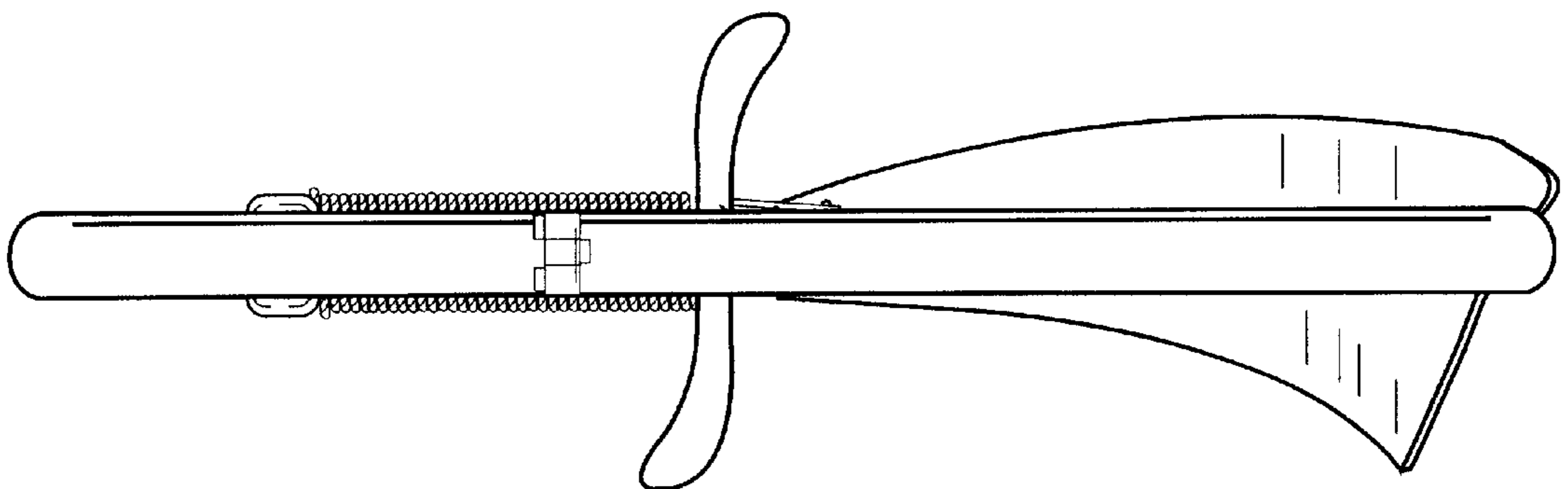


Fig. 4

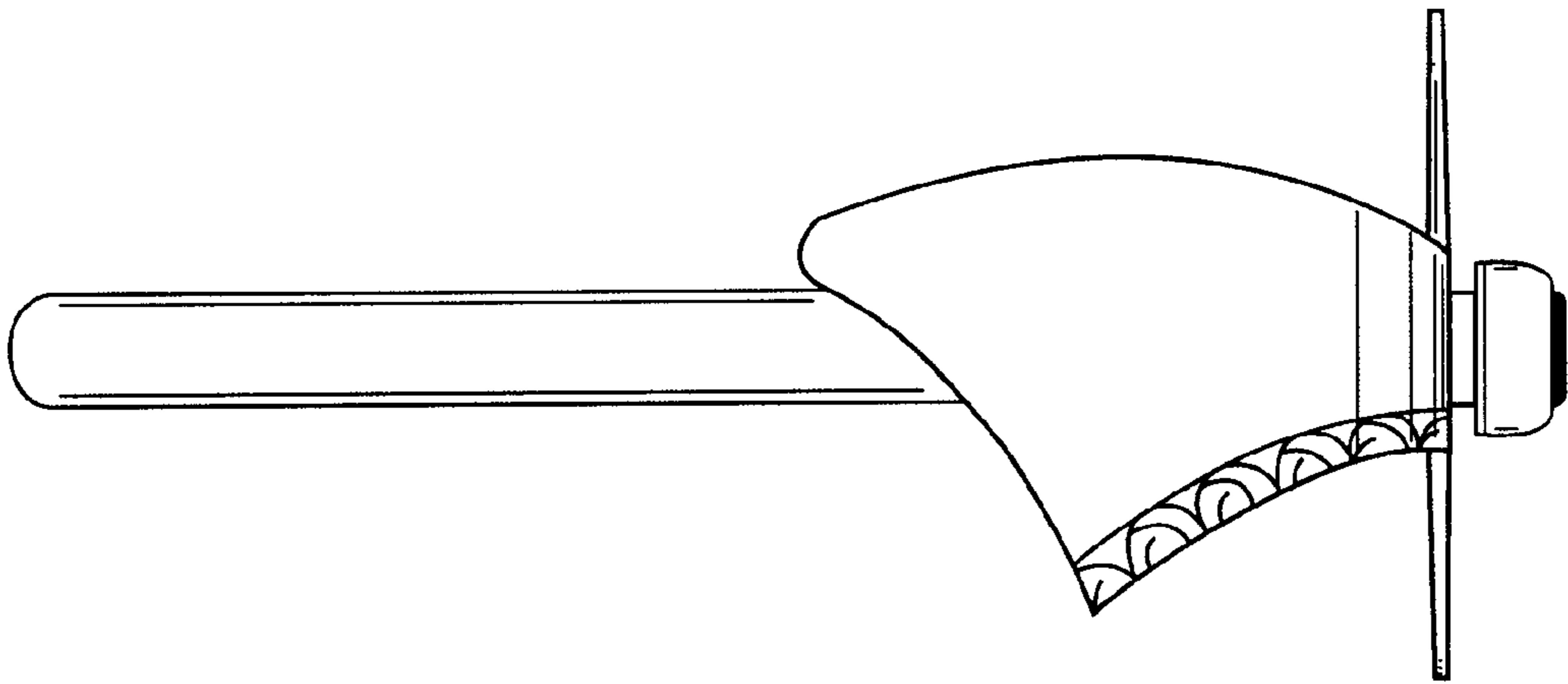


Fig. 5

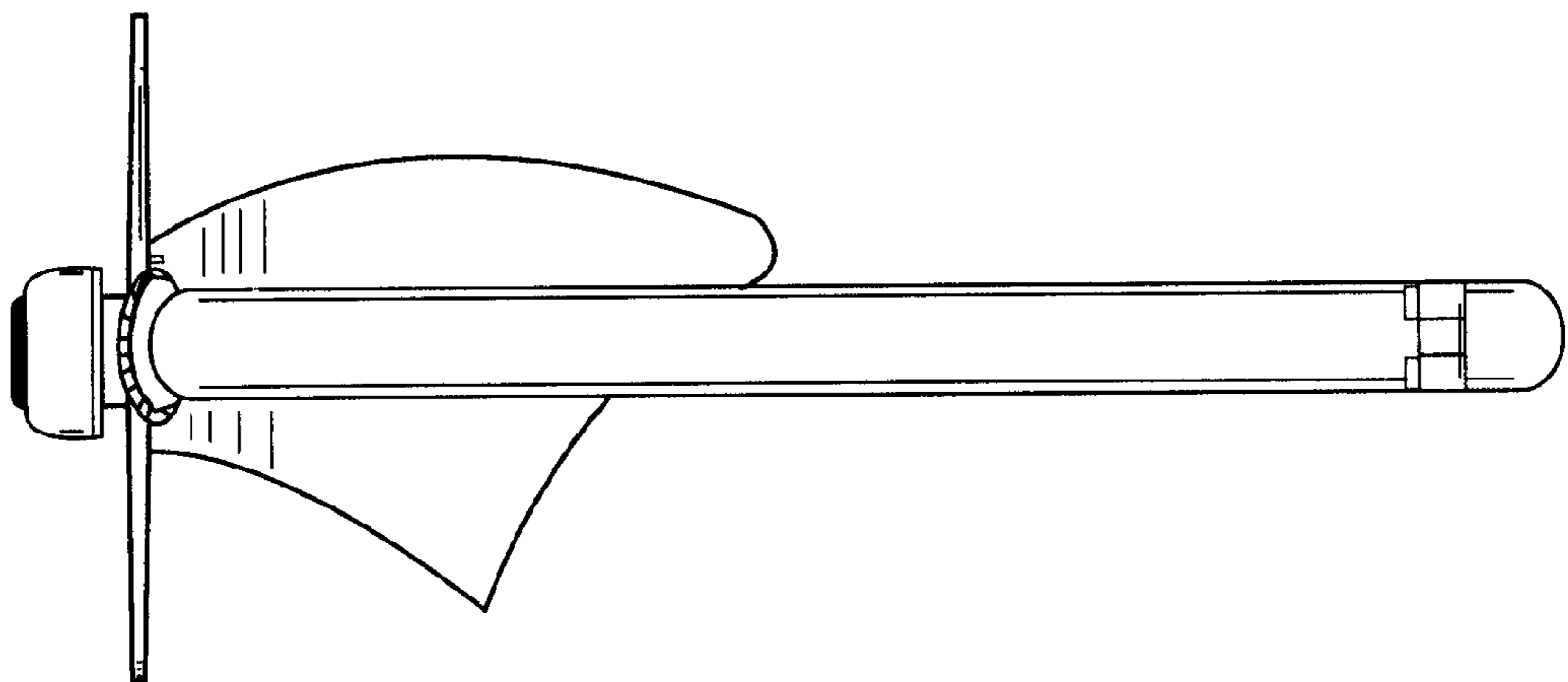


Fig. 6

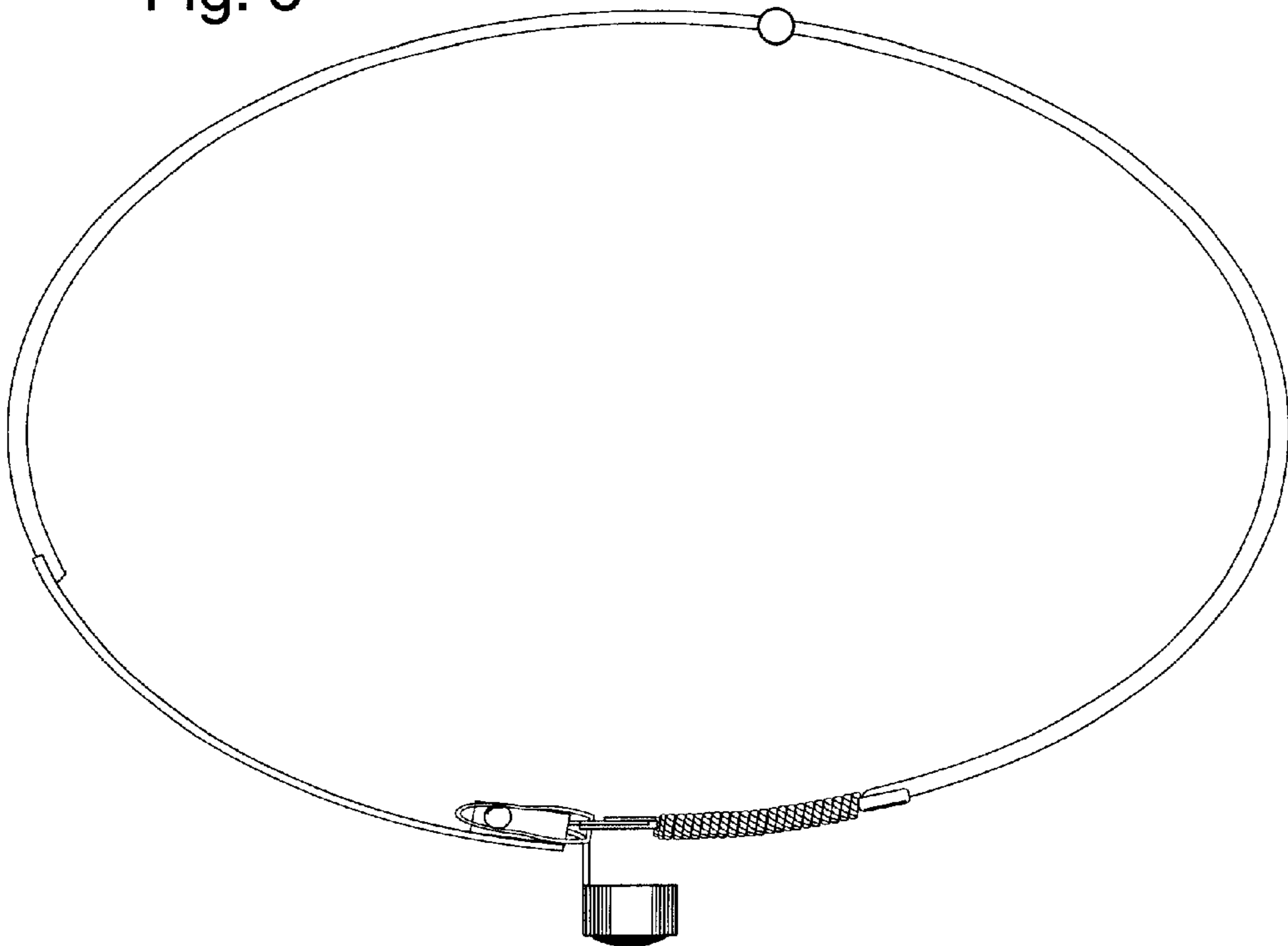


Fig. 7

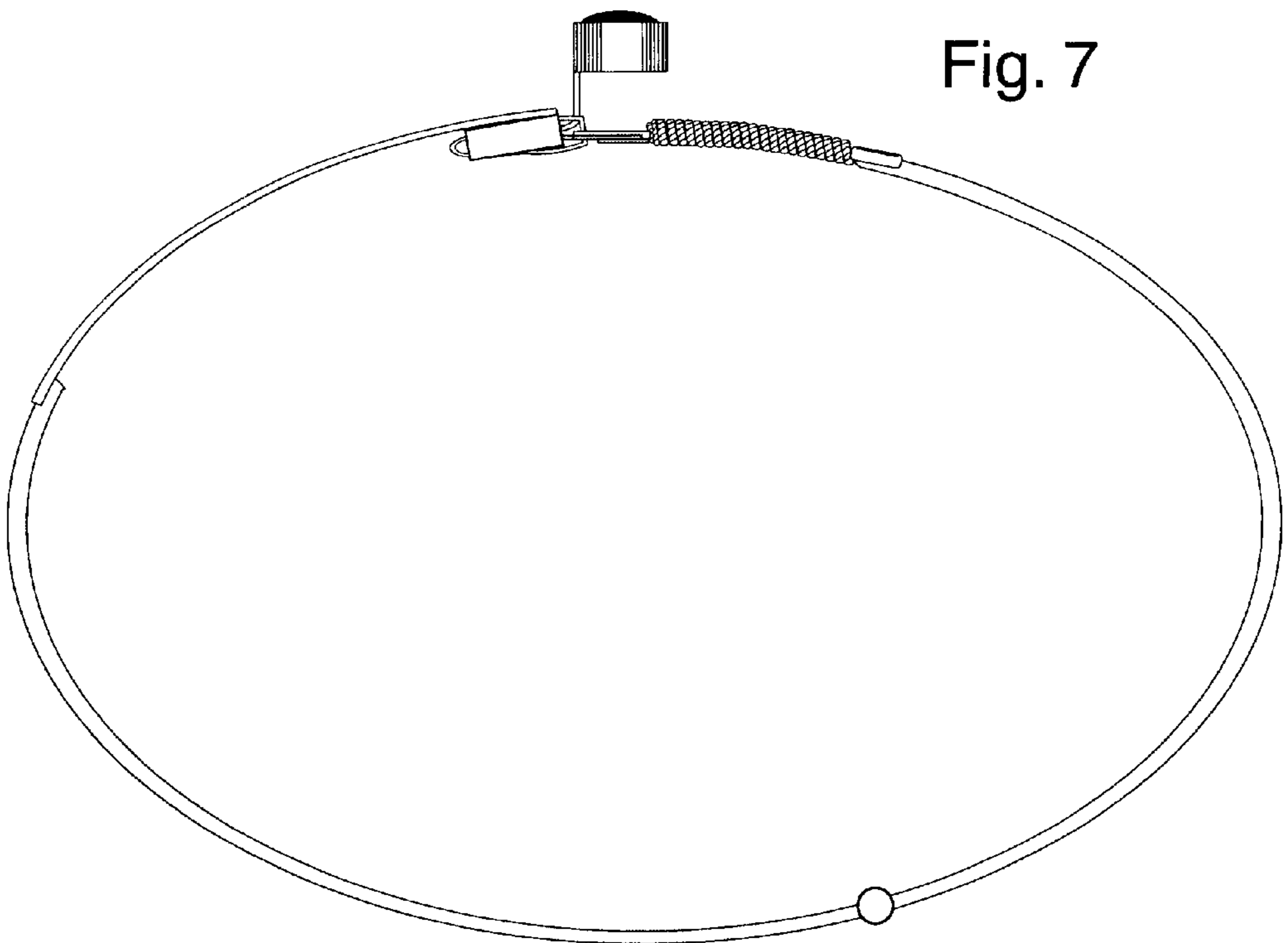


Fig. 8

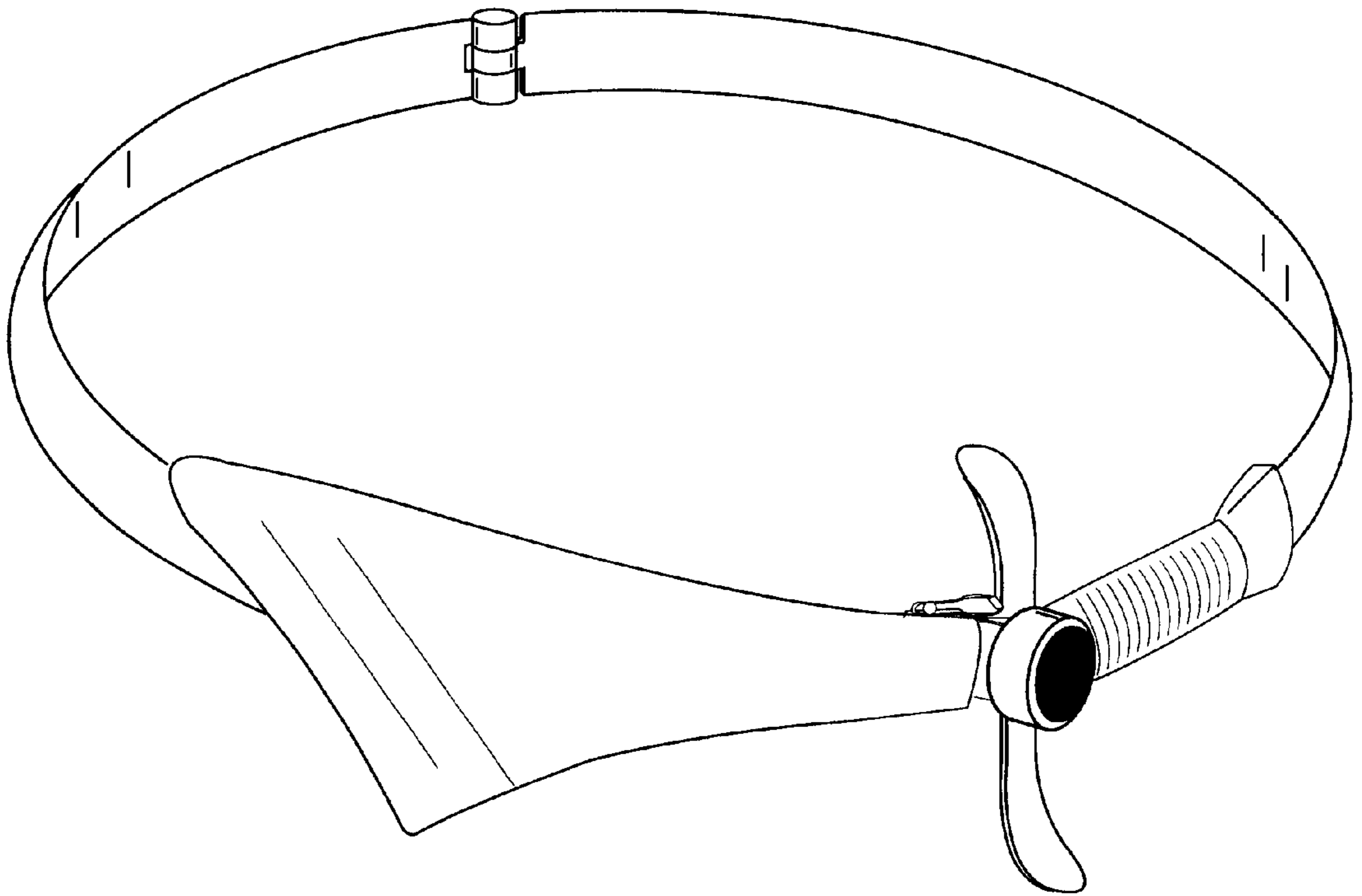


Fig. 9

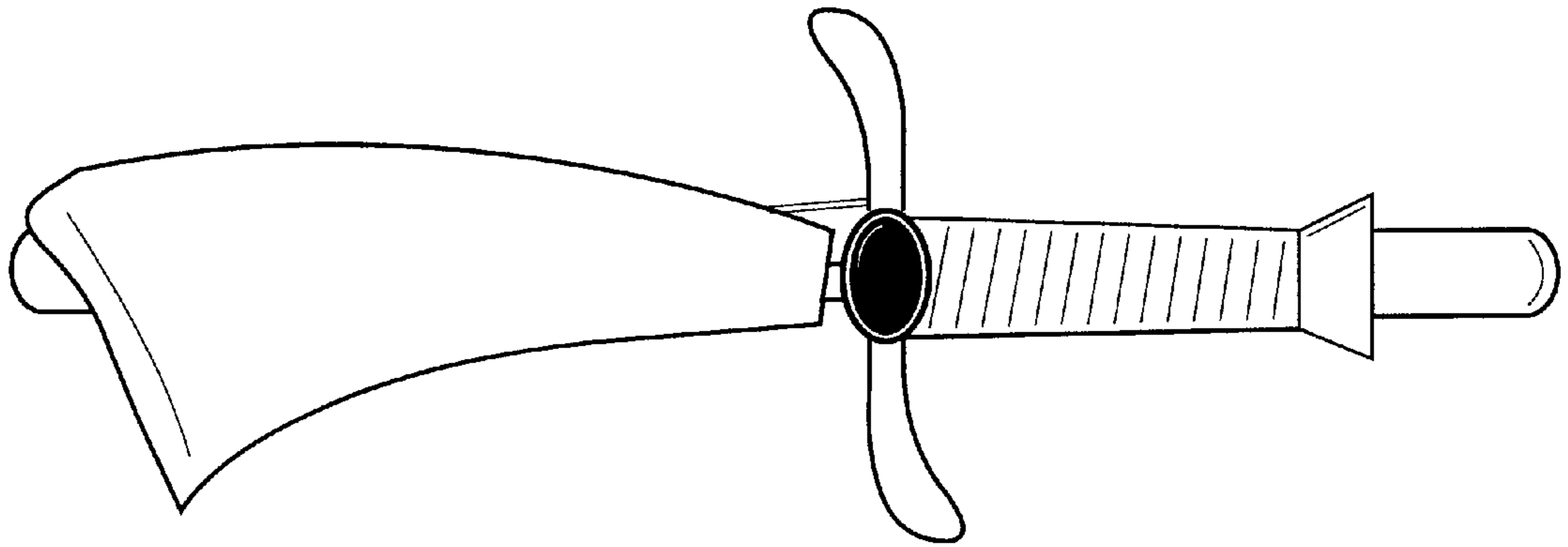


Fig. 10

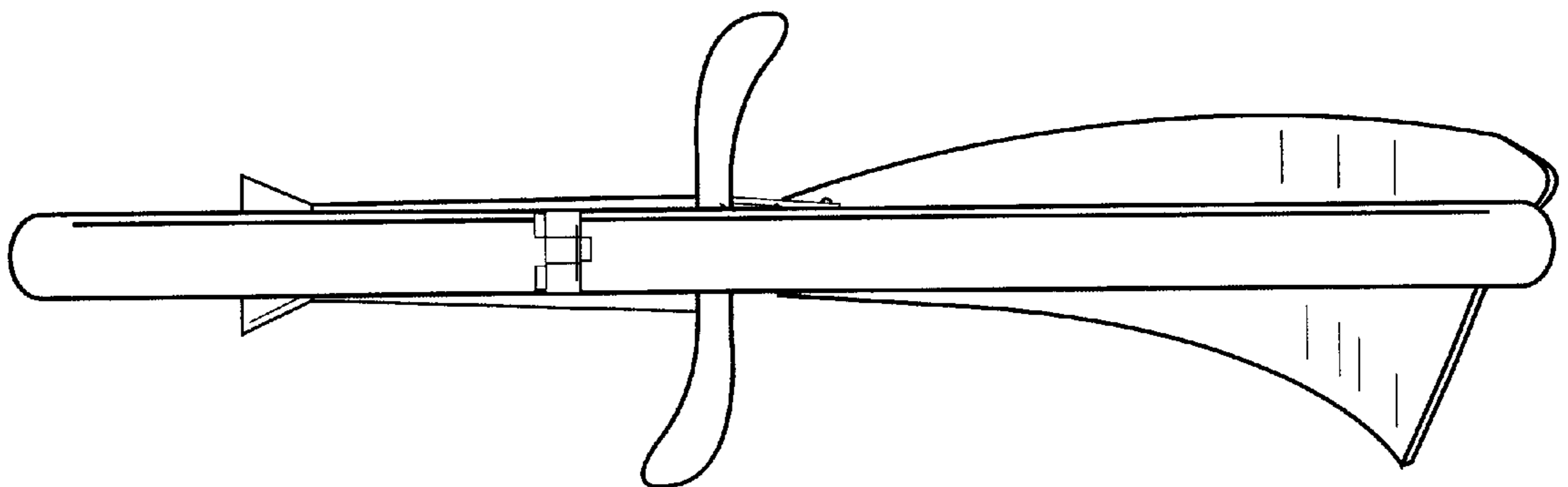


Fig. 11

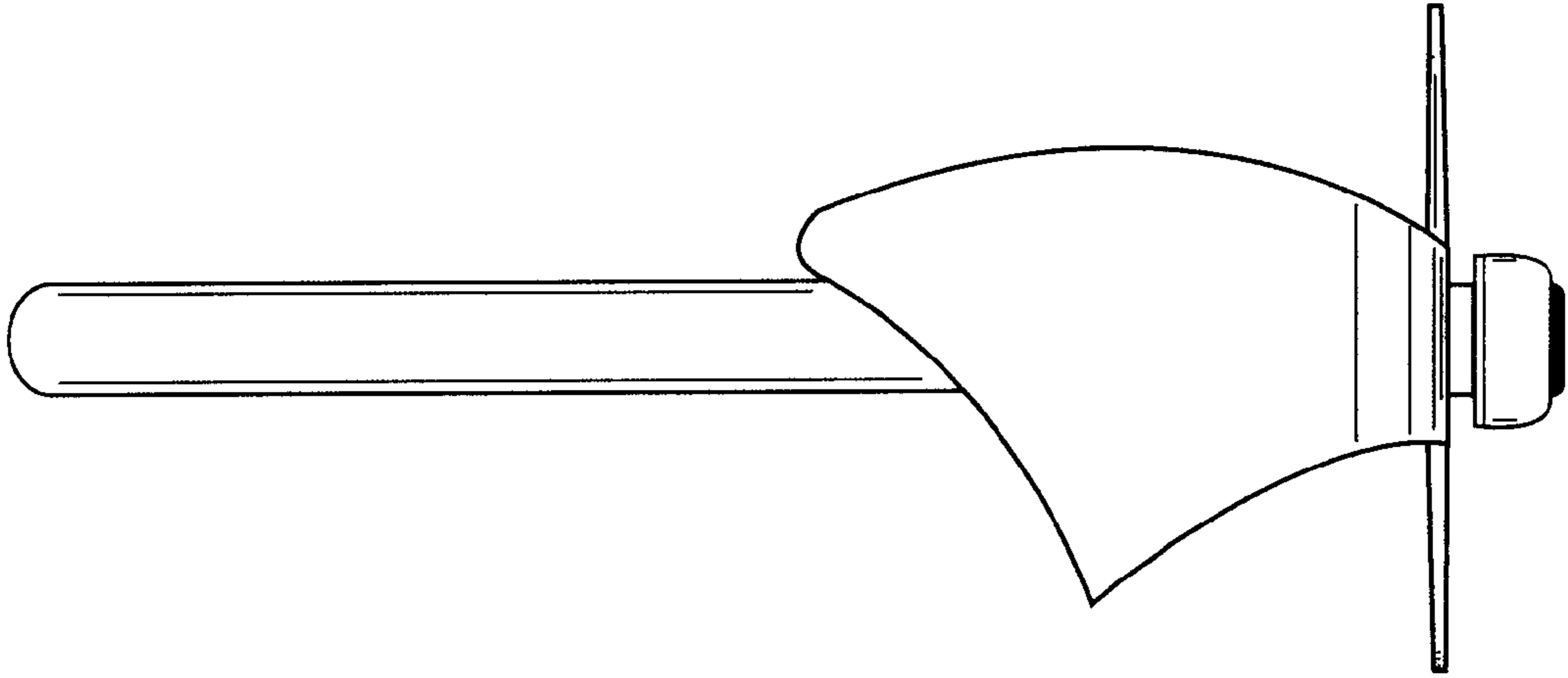


Fig. 12

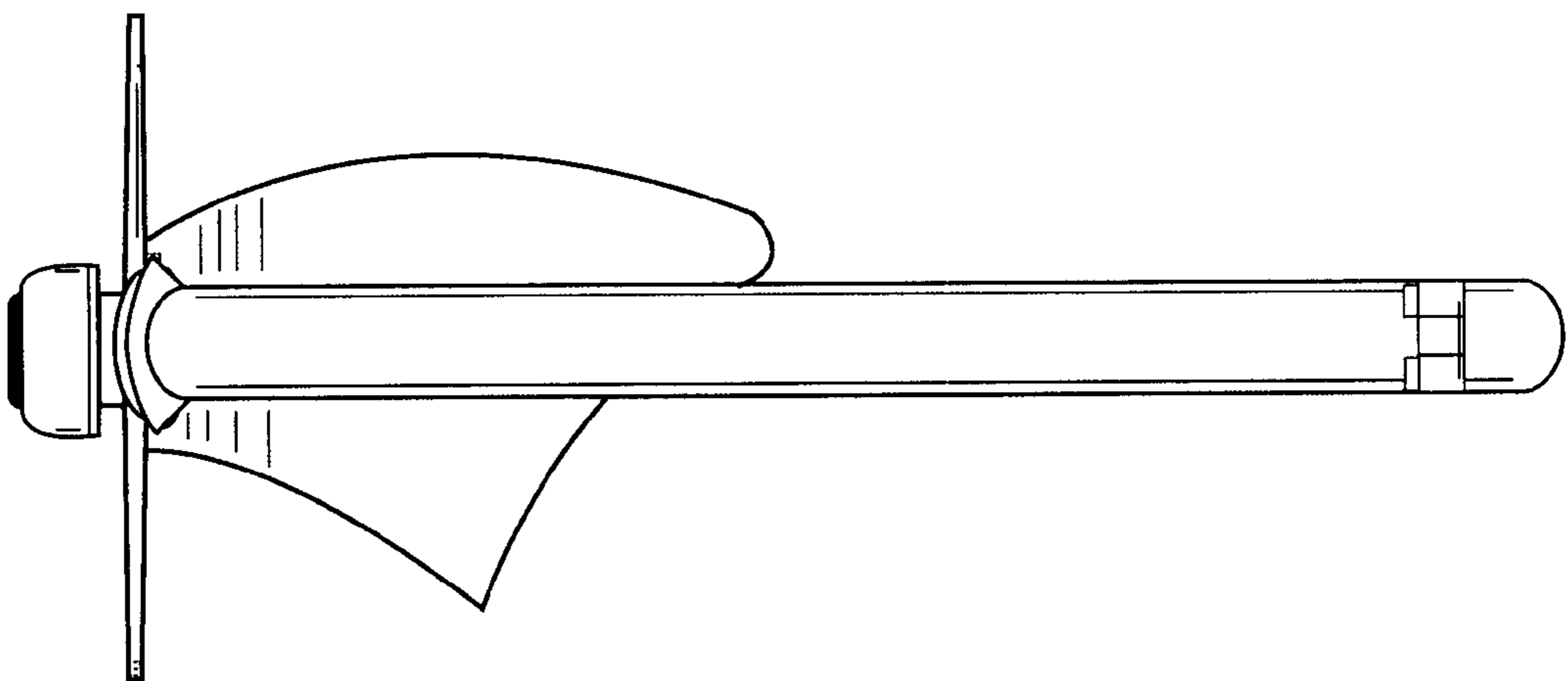


Fig. 13



Fig. 14

