



US00D471126S

(12) **United States Design Patent**  
**Calvani**

(10) **Patent No.:** **US D471,126 S**

(45) **Date of Patent:** **\*\* Mar. 4, 2003**

(54) **BRACELET**

D410,199 S 5/1999 Calvani ..... D10/39  
D445,055 S \* 7/2001 Subilia ..... D11/3

(75) Inventor: **Maria Christina Calvani**, Chambesy  
(CH)

**OTHER PUBLICATIONS**

(73) Assignee: **Rolex Watch U.S.A. Inc.**, New York,  
NY (US)

Rolex; The Official Rolex Jeweler: Few Are Chosen Cata-  
log; Jun., 1998.

(\*\*) Term: **14 Years**

\* cited by examiner

(21) Appl. No.: **29/139,021**

*Primary Examiner*—Ralf Seifert

(22) Filed: **Mar. 22, 2001**

(74) *Attorney, Agent, or Firm*—Morgan & Finnegan, LLP

(51) **LOC (7) Cl.** ..... **11-01**

(52) **U.S. Cl.** ..... **D11/3**

(58) **Field of Search** ..... D11/3-15, 18-20,  
D11/22-25, 93; 63/3, 4, 9, 21, 38; D10/32,  
30; 59/79.1, 79.3; 24/71 J

(57) **CLAIM**

I claim the ornamental design for a bracelet, as shown and  
described.

(56) **References Cited**

**DESCRIPTION**

**U.S. PATENT DOCUMENTS**

2,392,115 A *	1/1946	Blumstein	59/79.3
D213,632 S *	3/1969	Bello	D11/12
D224,602 S *	8/1972	Poon	D11/12
D245,230 S *	8/1977	Kleiner	D10/32
D321,666 S *	11/1991	Burgener	D10/32
D327,021 S *	6/1992	Burgener	D10/32
D380,170 S *	6/1997	Schoepfer	D11/25
5,771,543 A	6/1998	Froidevaux et al.	24/71
D401,866 S	12/1998	Pandel	D10/32
D404,322 S	1/1999	Blondin	D10/39

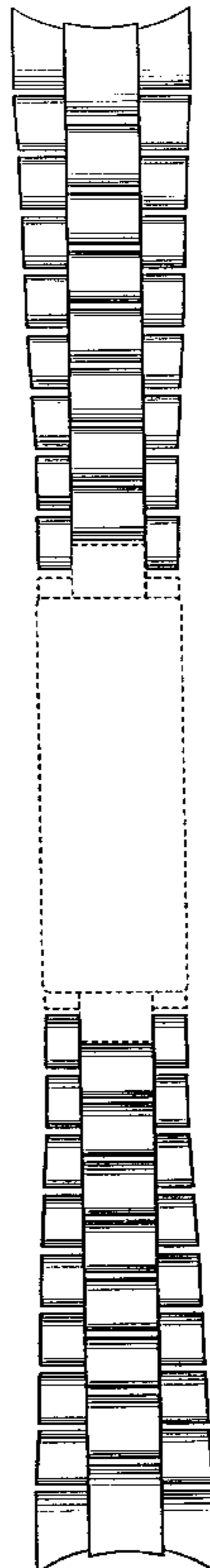
FIG. 1 is a top, front plan view of the bracelet of the  
invention showing my new design with the clasp of the  
bracelet depicted in broken lines;

FIG. 2 is a top, front plan view of an endpiece of the  
bracelet; and,

FIG. 3 is a top, rear and right side perspective view of the  
endpiece of the bracelet, the undisclosed top, rear and left  
side perspective view being mirror symmetric.

The areas of the bracelet which have not been completely  
disclosed are understood not to be part of the claimed  
design. The broken line showing is for illustrative purposes  
only and forms no part of the claimed design.

**1 Claim, 2 Drawing Sheets**



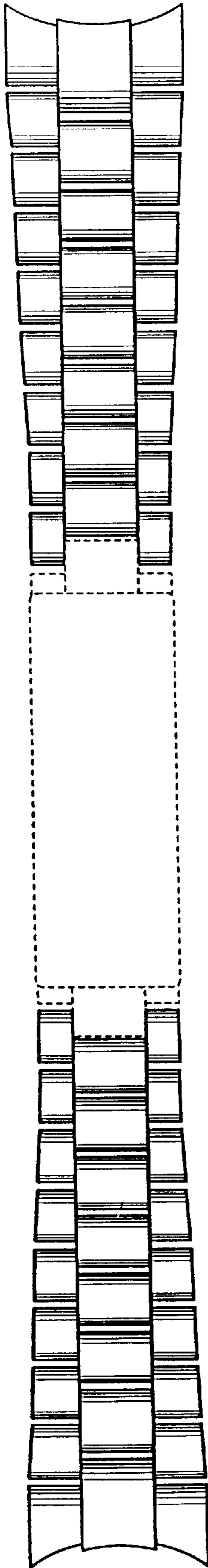


FIG. 1

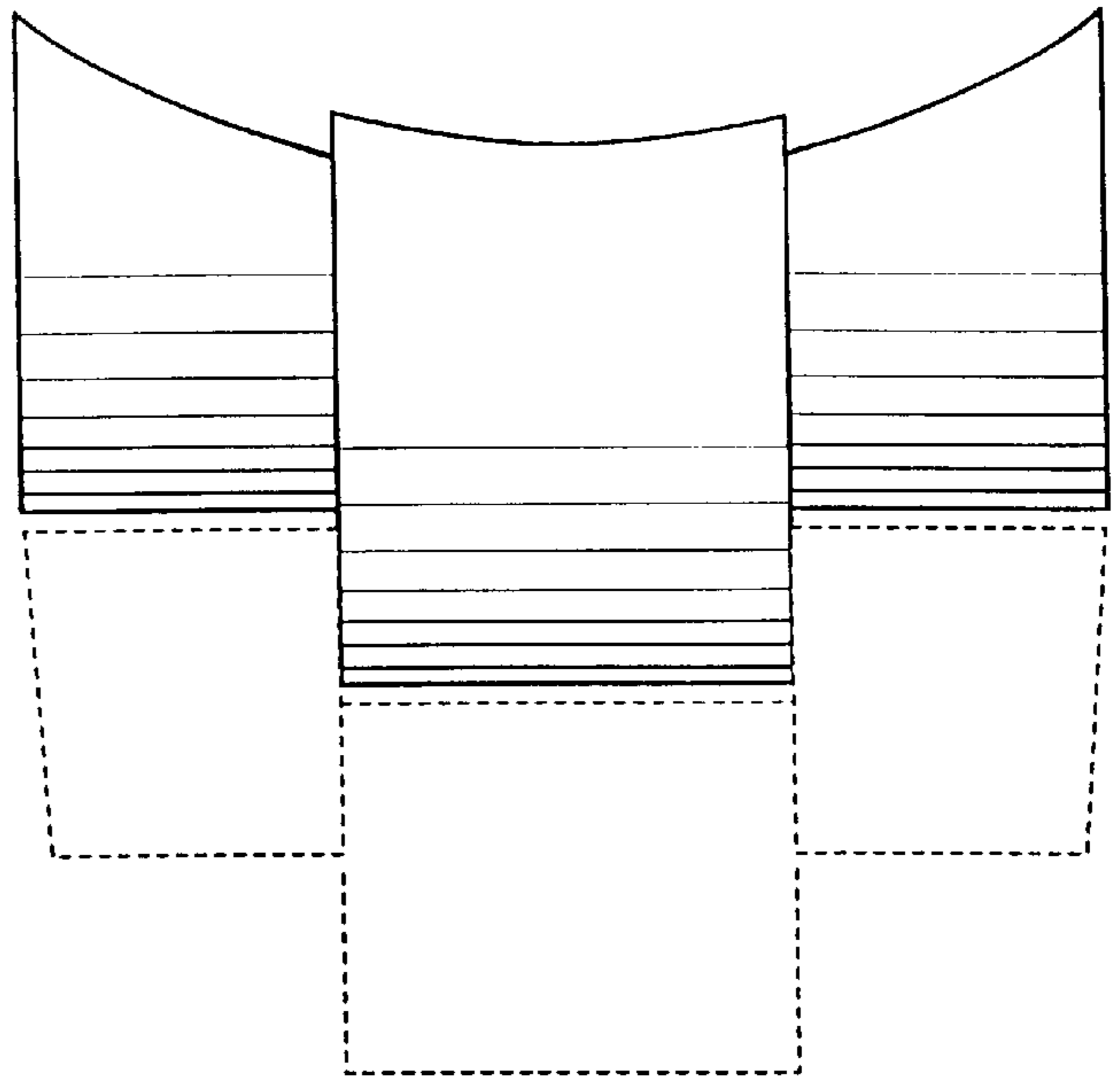
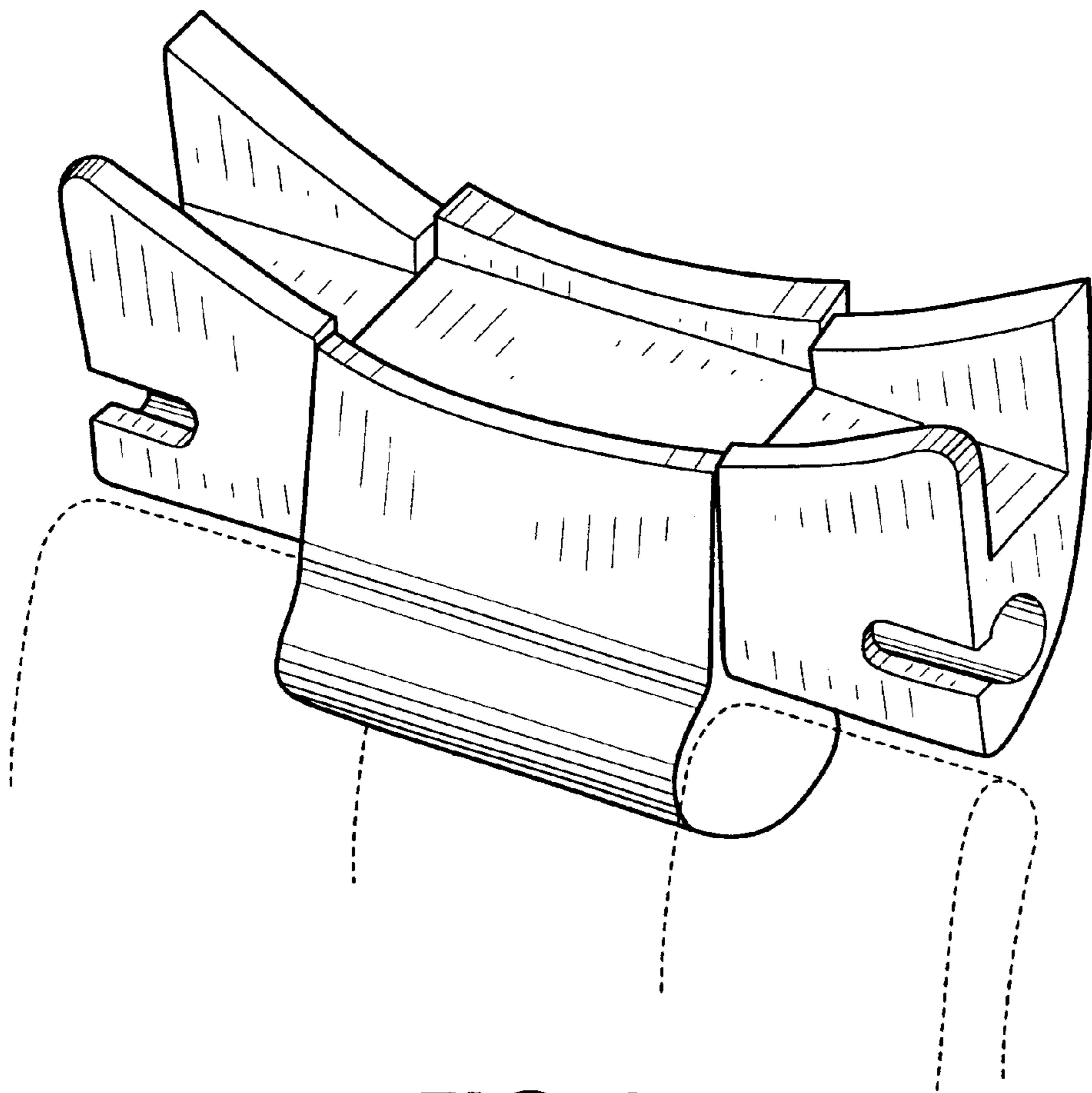


FIG. 2



**FIG. 3**