



US00D471119S

(12) **United States Design Patent**  
**Hsu**

(10) **Patent No.:** **US D471,119 S**

(45) **Date of Patent:** **\*\* Mar. 4, 2003**

(54) **MEASURE TAPE**

(76) Inventor: **Cheng-Hui Hsu**, No.126, Pao Chung Road, Hsin Tien City, Taipei Hsien (TW)

(\*\*) Term: **14 Years**

(21) Appl. No.: **29/157,461**

(22) Filed: **Mar. 21, 2002**

(51) **LOC (7) Cl.** ..... **10-04**

(52) **U.S. Cl.** ..... **D10/72**

(58) **Field of Search** ..... **D10/72; 33/755-770**

(56) **References Cited**

**U.S. PATENT DOCUMENTS**

D449,546 S \* 10/2001 Lee ..... D10/72

D453,302 S \* 2/2002 Liu ..... D10/72

\* cited by examiner

*Primary Examiner*—Antoine Duval Davis

(74) *Attorney, Agent, or Firm*—Rosenberg, Klein & Lee

(57) **CLAIM**

The ornamental design for measure tape, as shown and described.

**DESCRIPTION**

FIG. 1 is a Perspective view of a measure tape showing my new design;

FIG. 2 is a Front view thereof;

FIG. 3 is a Rear view thereof;

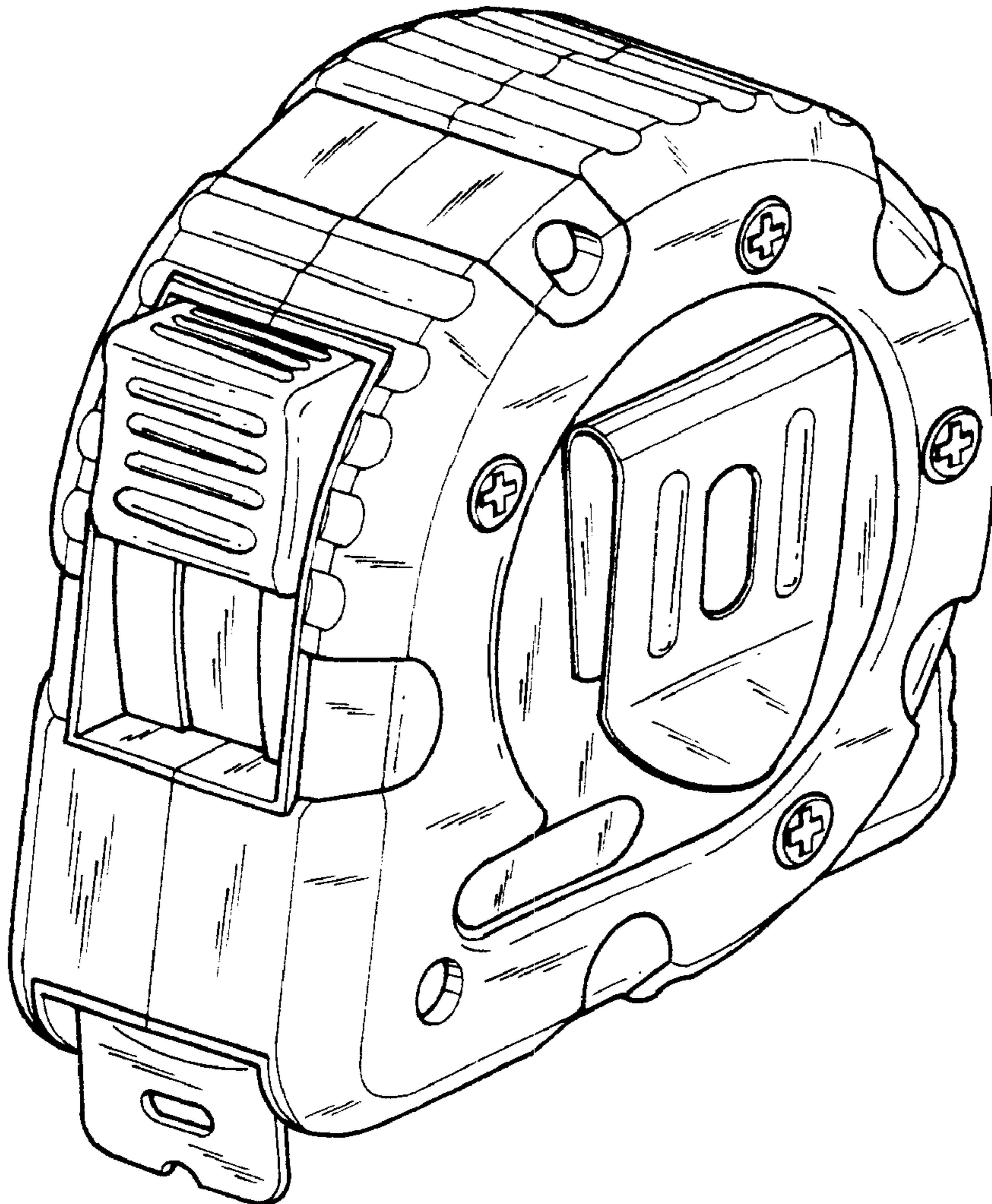
FIG. 4 is a Left side view thereof;

FIG. 5 is a Right side view thereof;

FIG. 6 is a Top plan view thereof; and,

FIG. 7 is a Bottom plan view thereof.

**1 Claim, 4 Drawing Sheets**



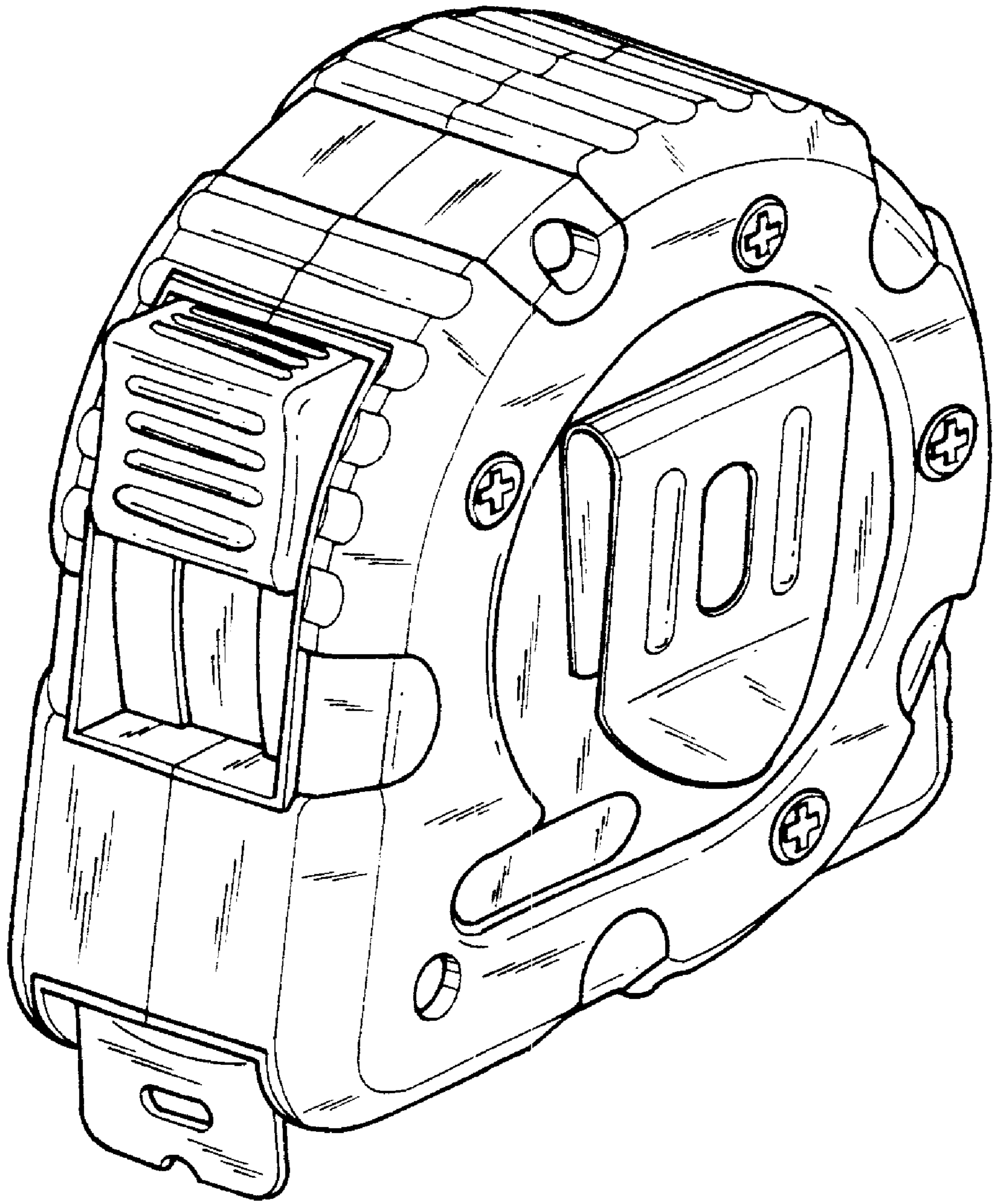


FIG. 1

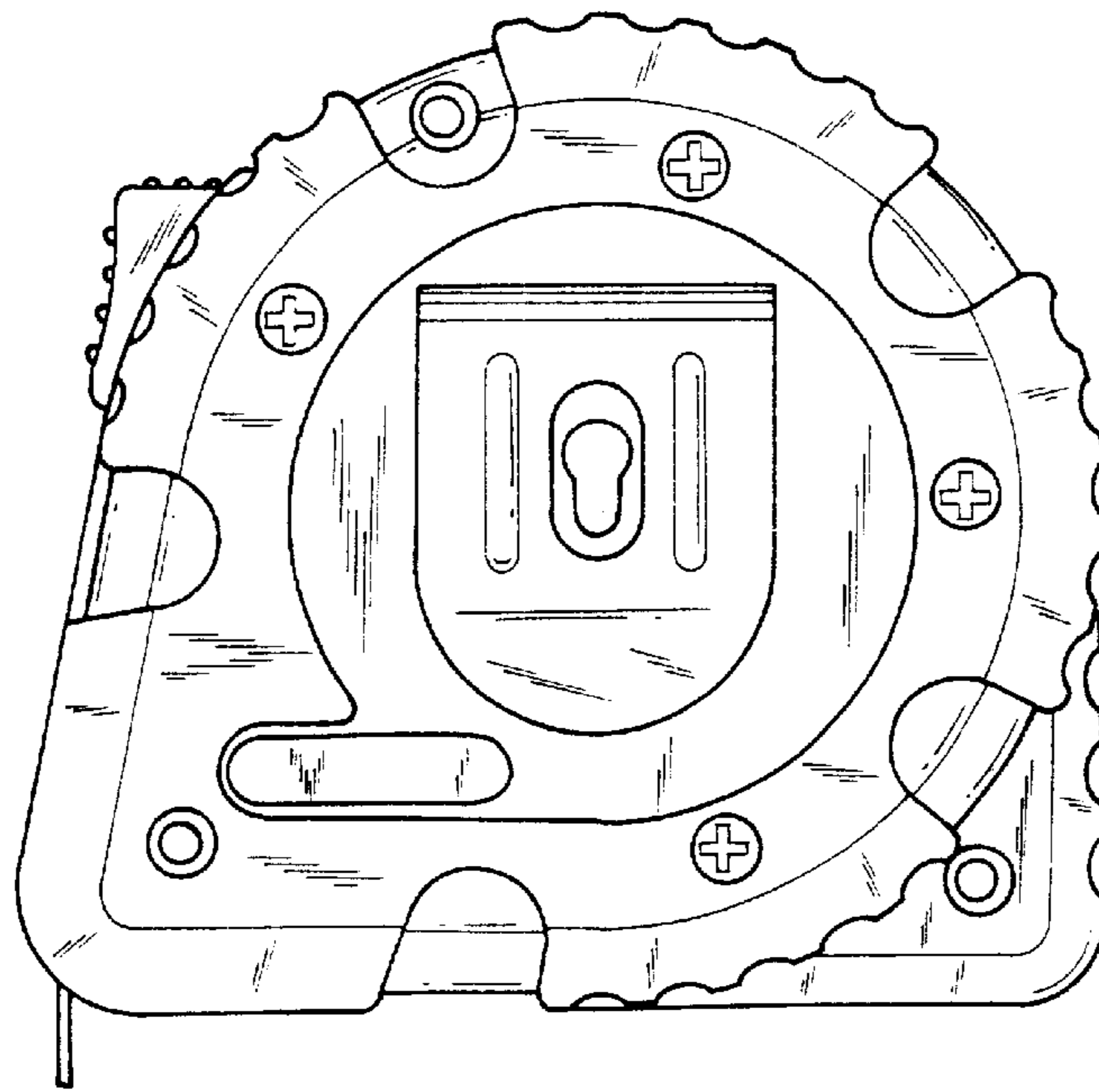


FIG. 2

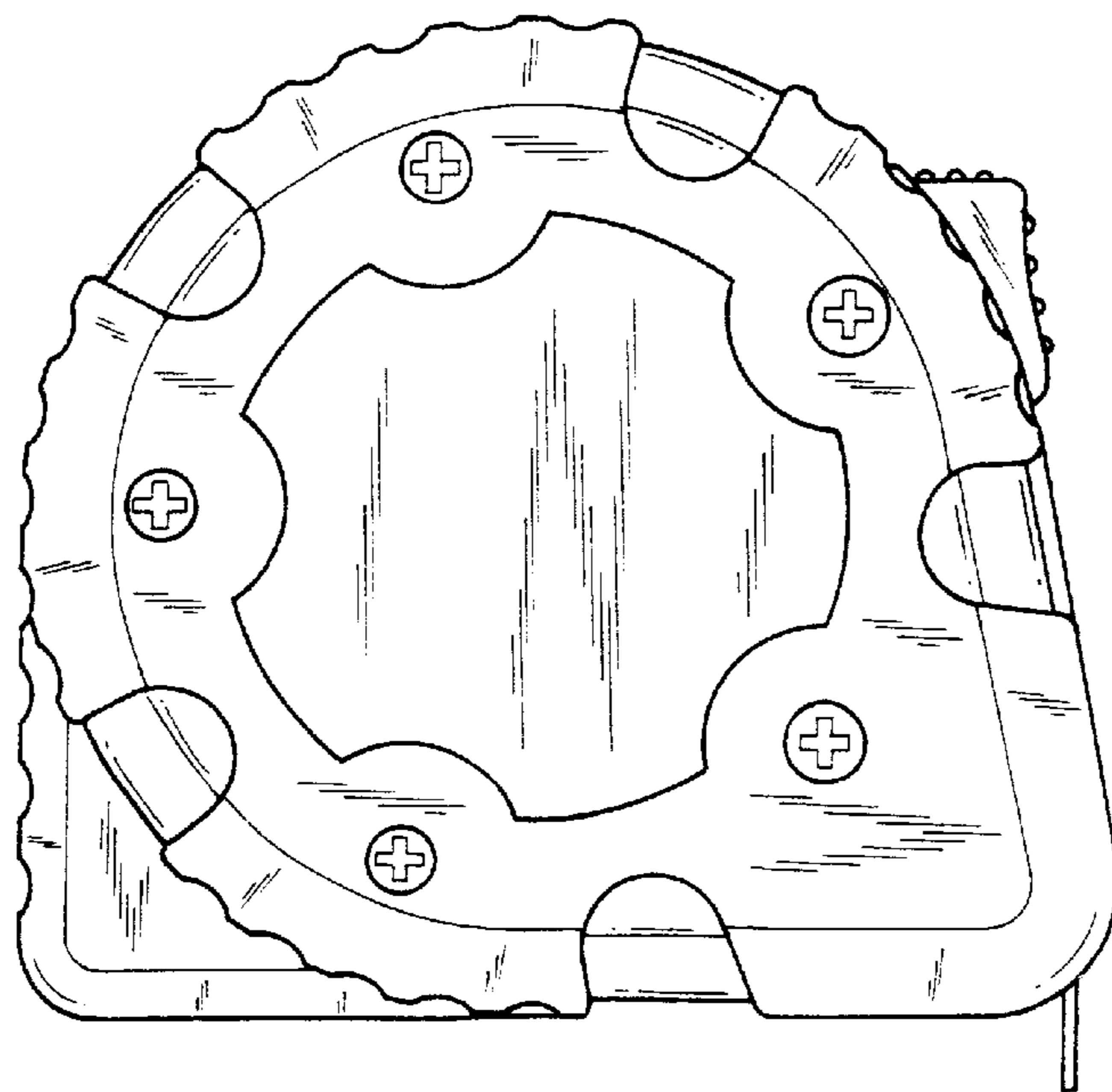


FIG. 3

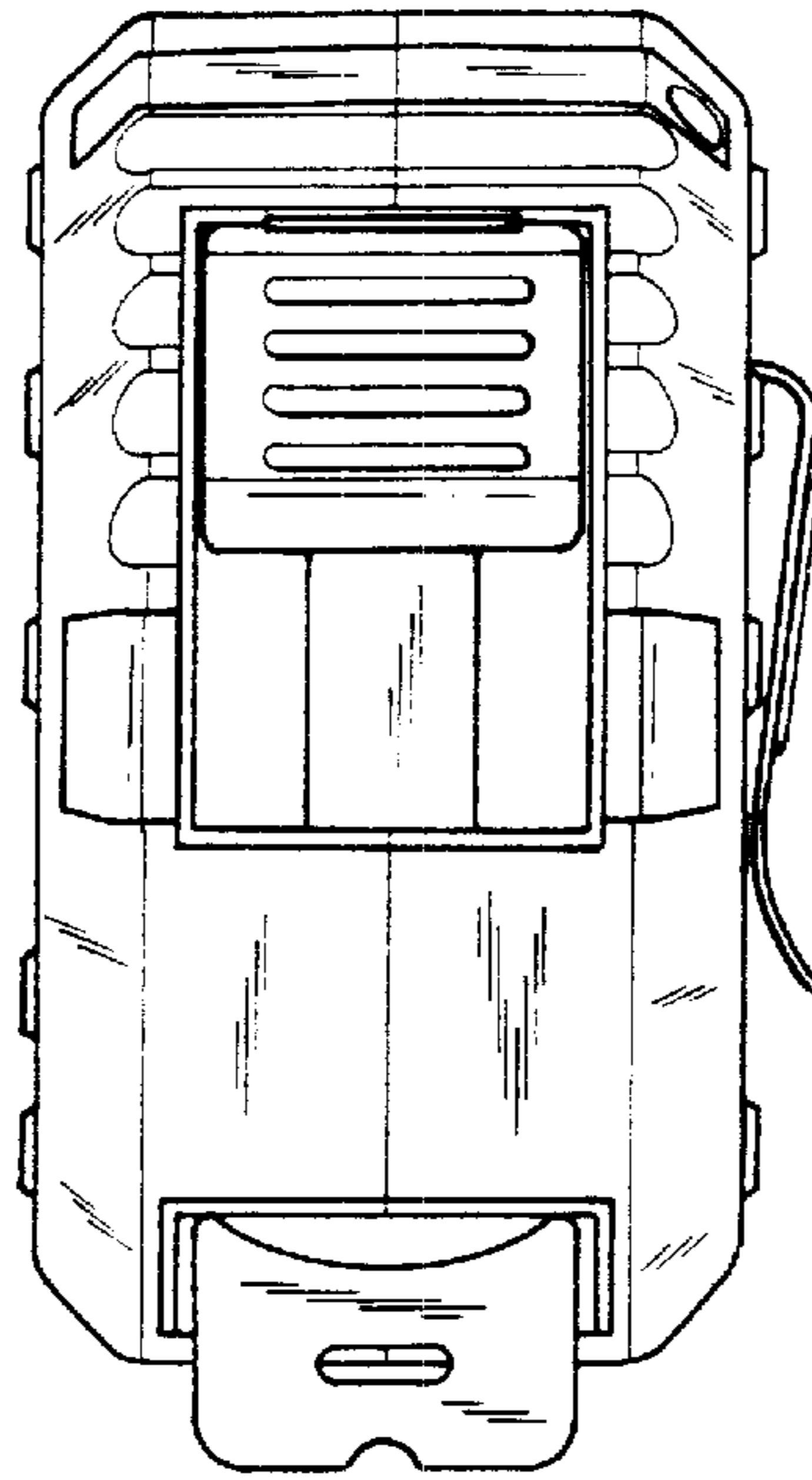


FIG. 4

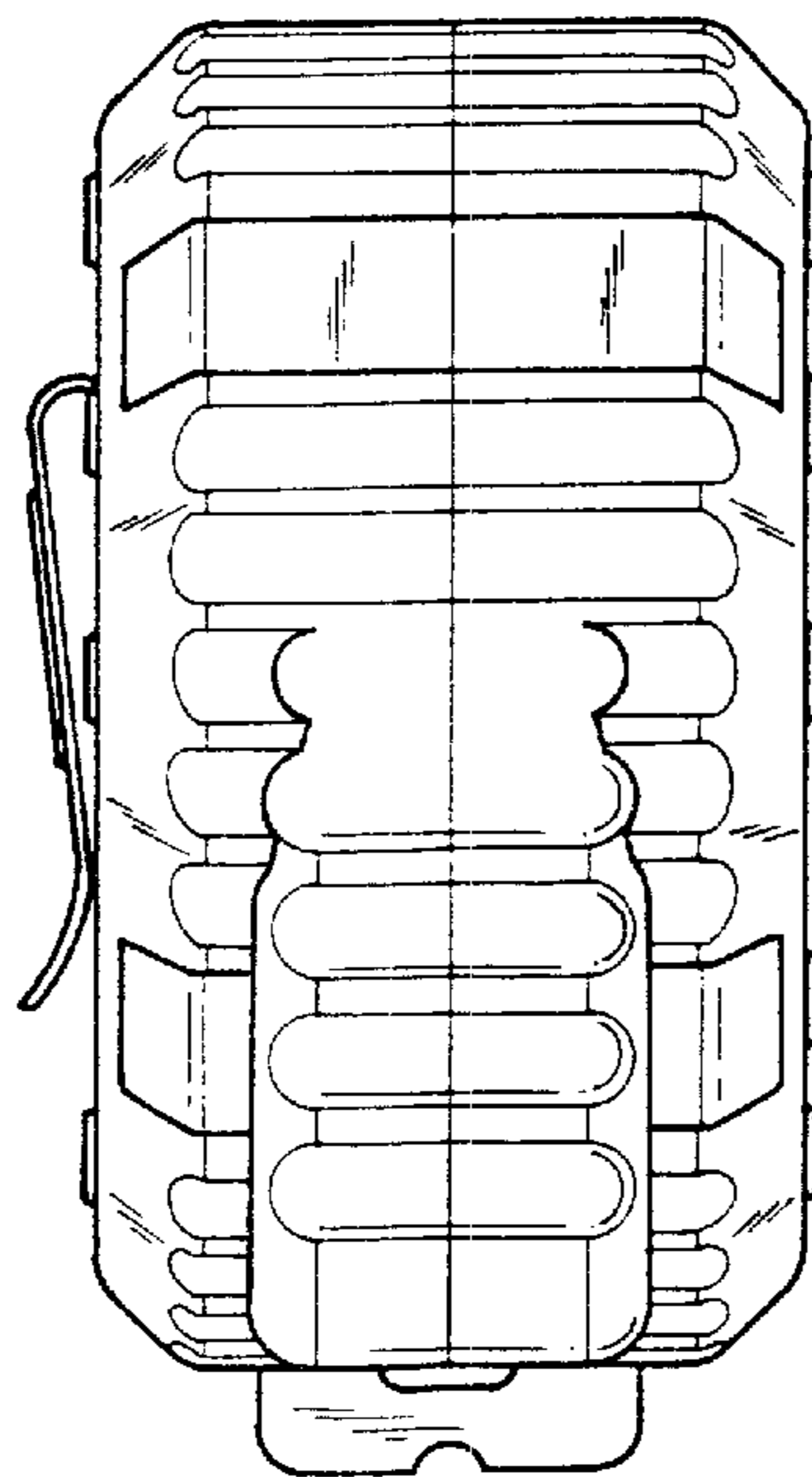


FIG. 5



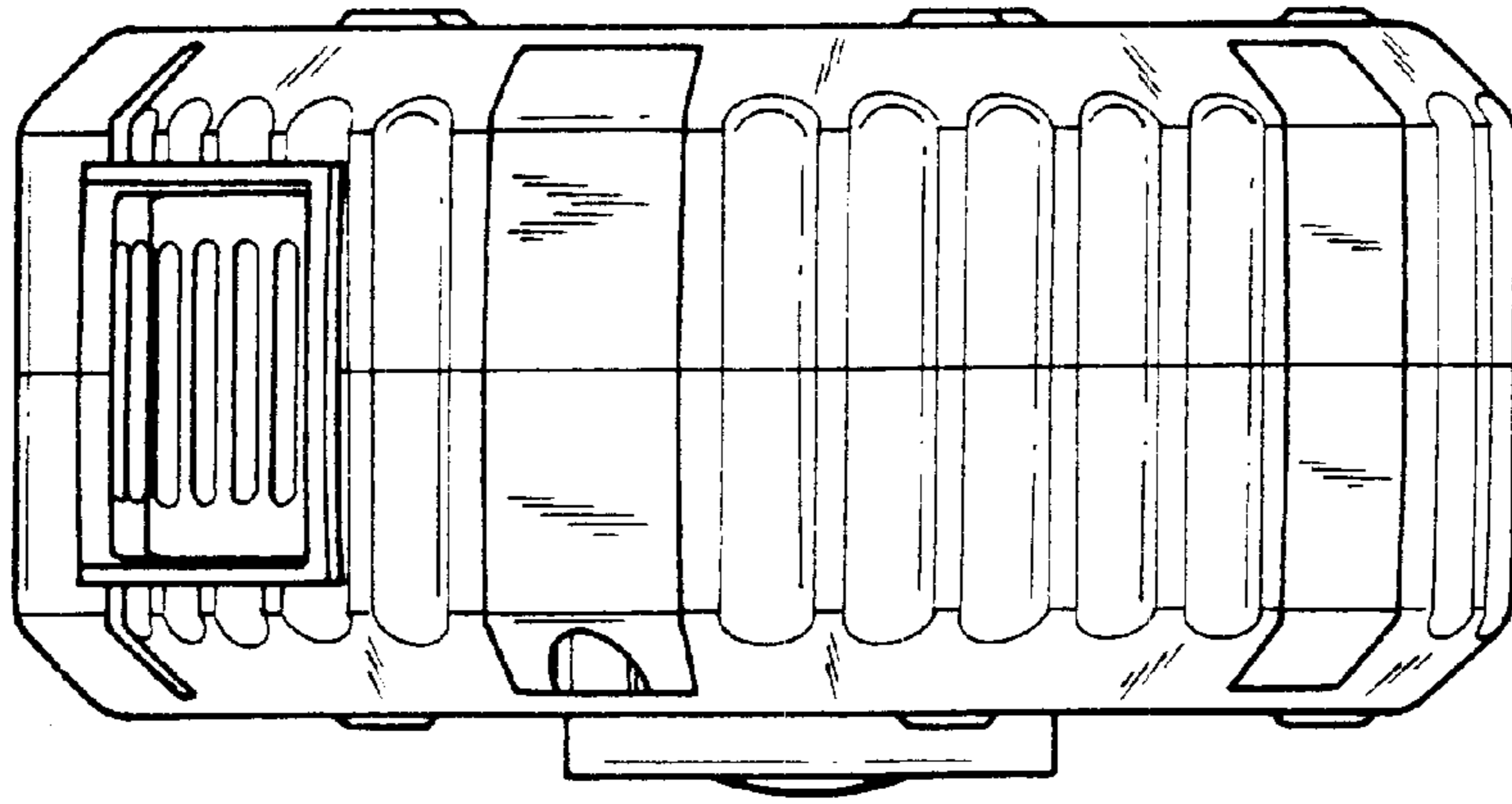


FIG. 6

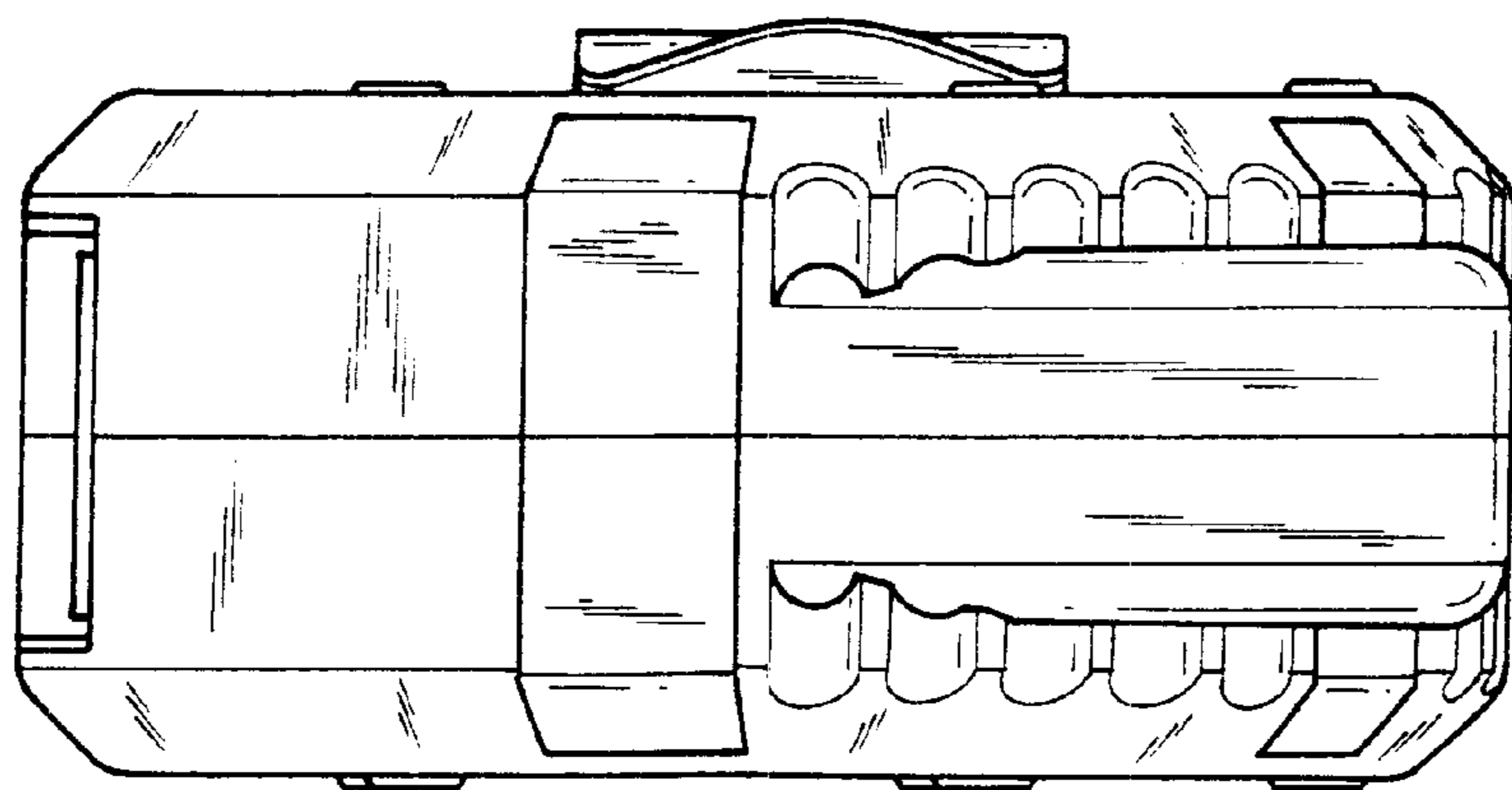


FIG. 7