



US00D471118S

(12) **United States Design Patent**
Evans, Jr.

(10) **Patent No.:** **US D471,118 S**

(45) **Date of Patent:** **** Mar. 4, 2003**

(54) **TAPE MEASURE**

(75) **Inventor:** **John Joseph Evans, Jr.,** Charleston, SC (US)

(73) **Assignee:** **The L.S. Starrett Company,** Athol, MA (US)

(**) **Term:** **14 Years**

(21) **Appl. No.:** **29/155,971**

(22) **Filed:** **Feb. 19, 2002**

(51) **LOC (7) Cl.** **10-04**

(52) **U.S. Cl.** **D10/72; D10/74**

(58) **Field of Search** **D10/72, 74; 33/755-770**

(56) **References Cited**

U.S. PATENT DOCUMENTS

D375,269 S	11/1996	Wertheim et al.	
D421,231 S	* 2/2000	Hsu	D10/72
D441,309 S	5/2001	Evans, Jr. et al.	
D459,253 S	* 6/2002	von Wedemeyer	D10/72

* cited by examiner

Primary Examiner—Antoine D. Davis

(74) *Attorney, Agent, or Firm*—Alston & Bird LLP

(57) **CLAIM**

The ornamental design for a tape measure, as shown and described.

DESCRIPTION

FIG. 1 is a perspective view of the front and right-hand side of a tape measure showing my new design;

FIG. 2 is a perspective view of the rear and left-hand side of a tape measure showing my new design;

FIG. 3 is a right side elevational view of FIG. 1;

FIG. 4 is a front elevational view thereof;

FIG. 5 is a top view thereof;

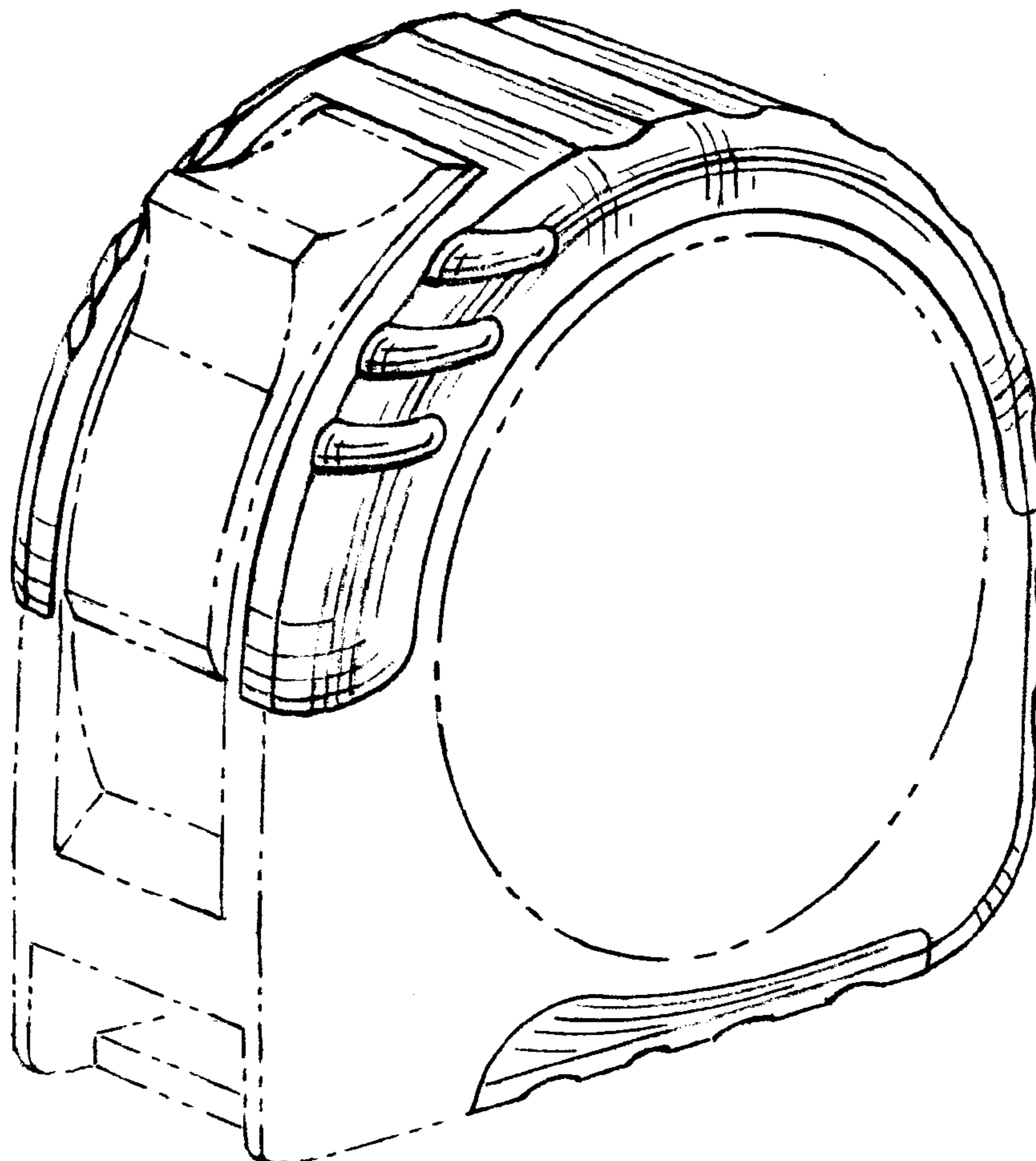
FIG. 6 is a left side elevation showing the opposite side of FIG. 3;

FIG. 7 is a rear elevational view thereof; and,

FIG. 8 is bottom view thereof.

The broken line showing is for illustrative purposes only and forms no part of the claimed design.

1 Claim, 3 Drawing Sheets



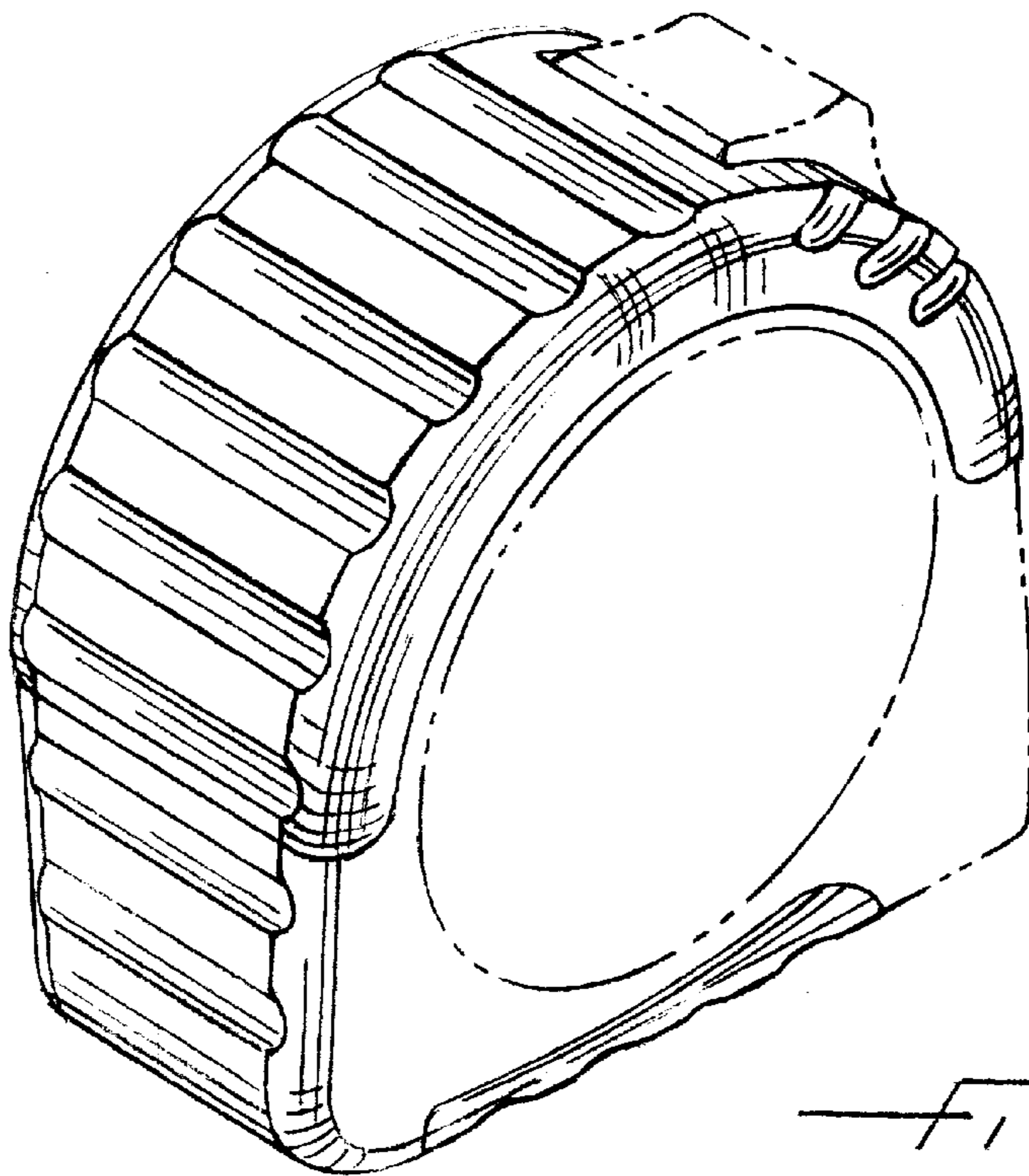
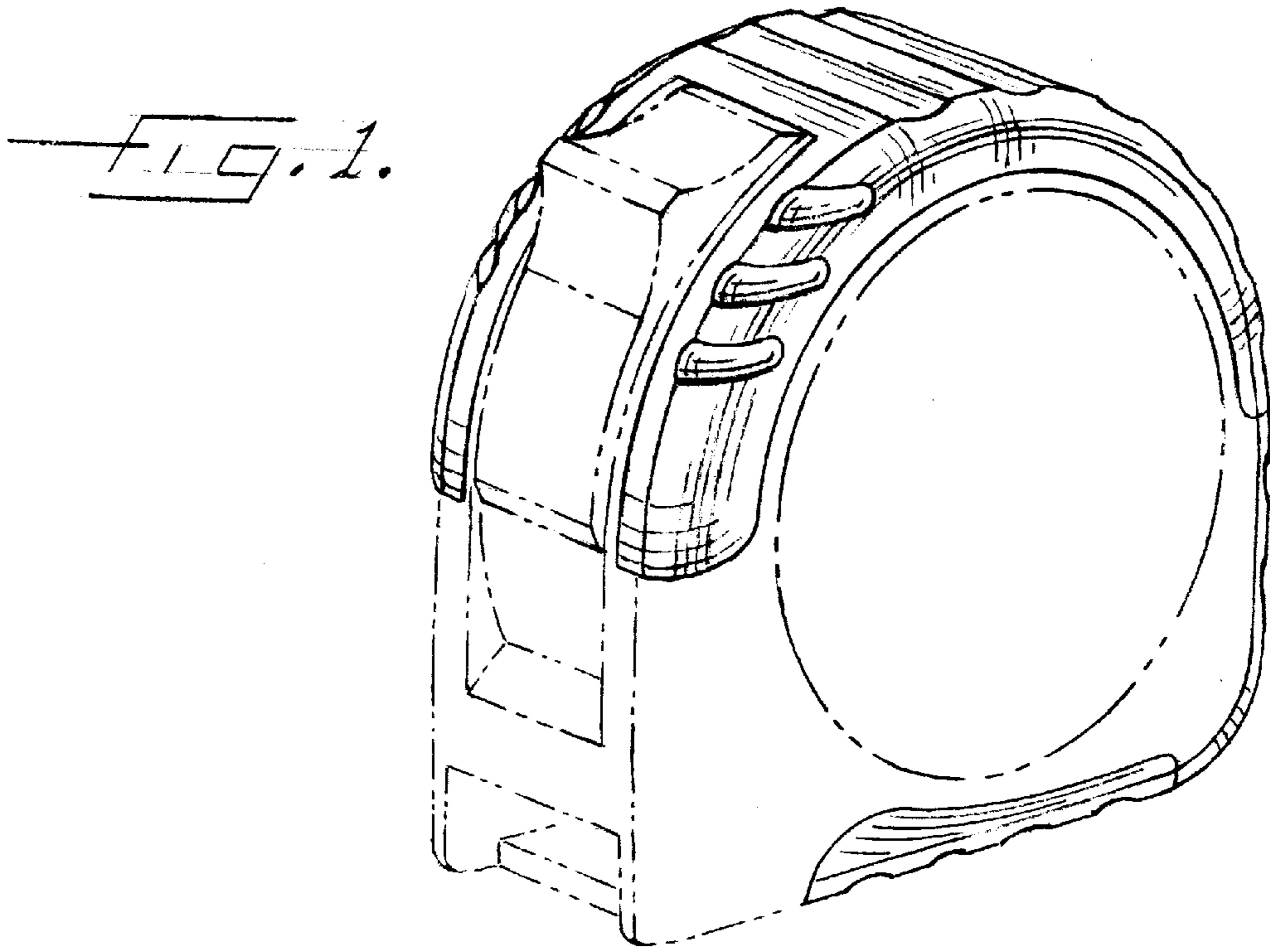


FIG. 2.

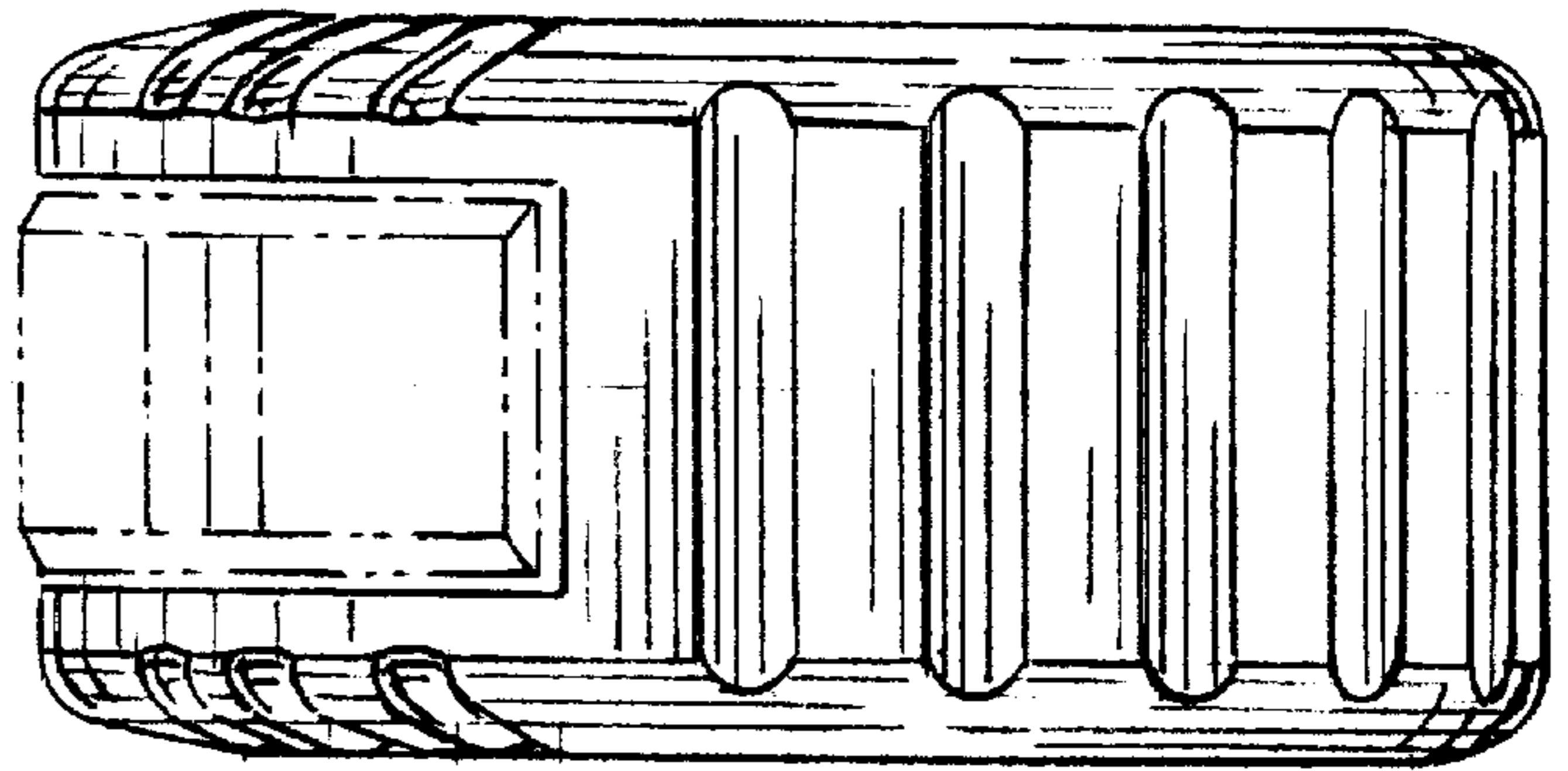


FIG. 5.

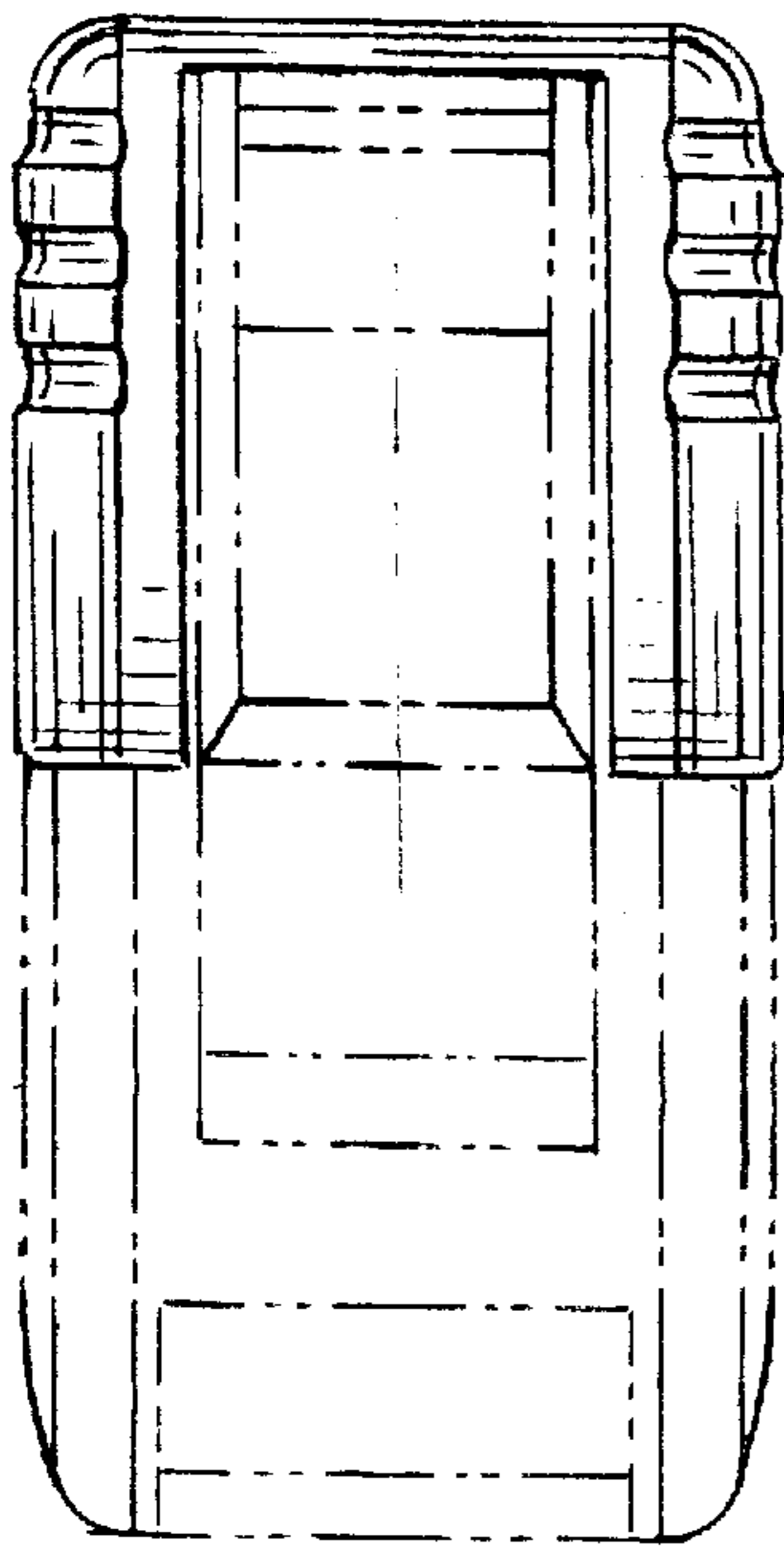


FIG. 4.

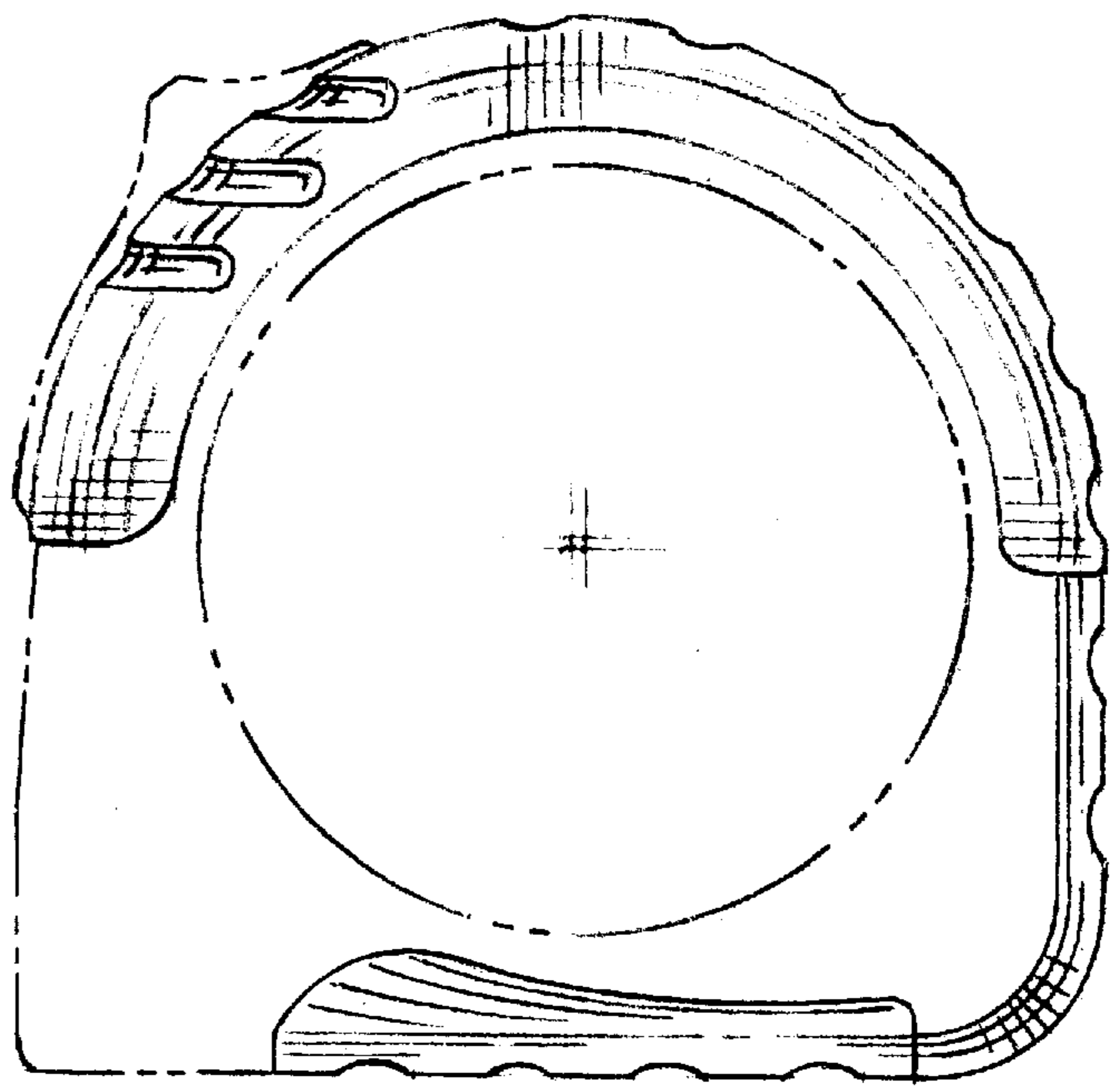


FIG. 3.

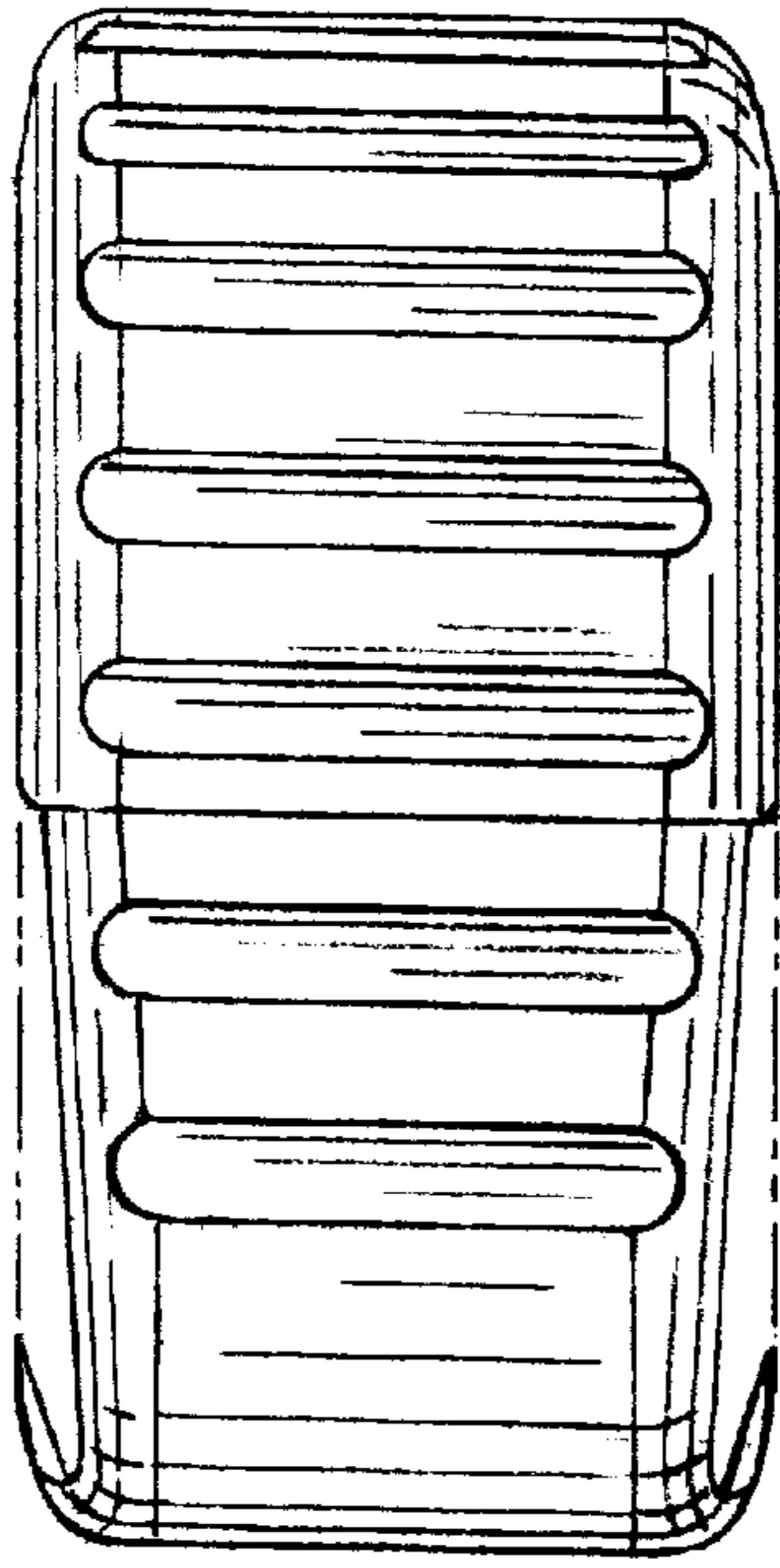


FIG. 7.

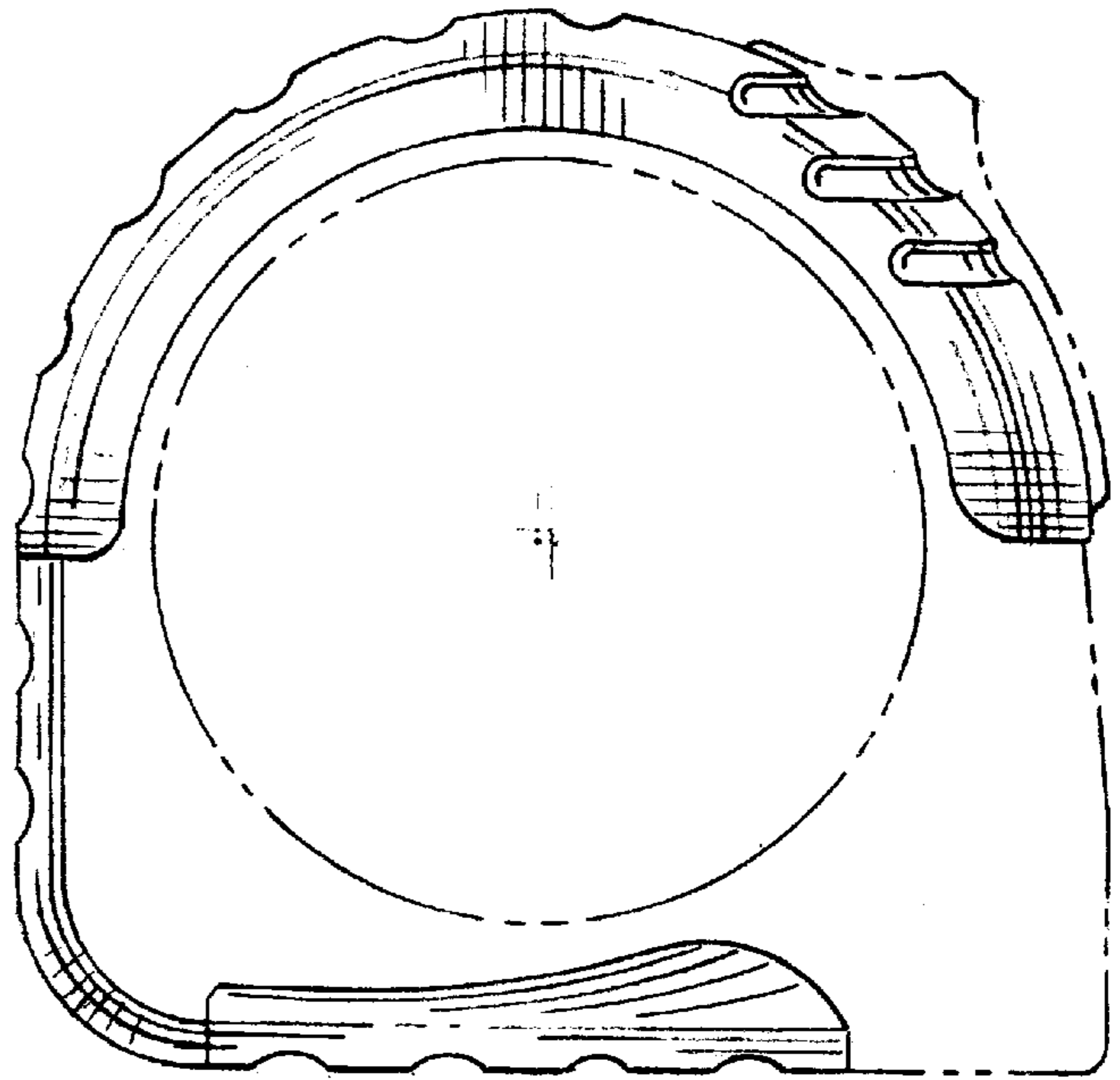


FIG. 6.

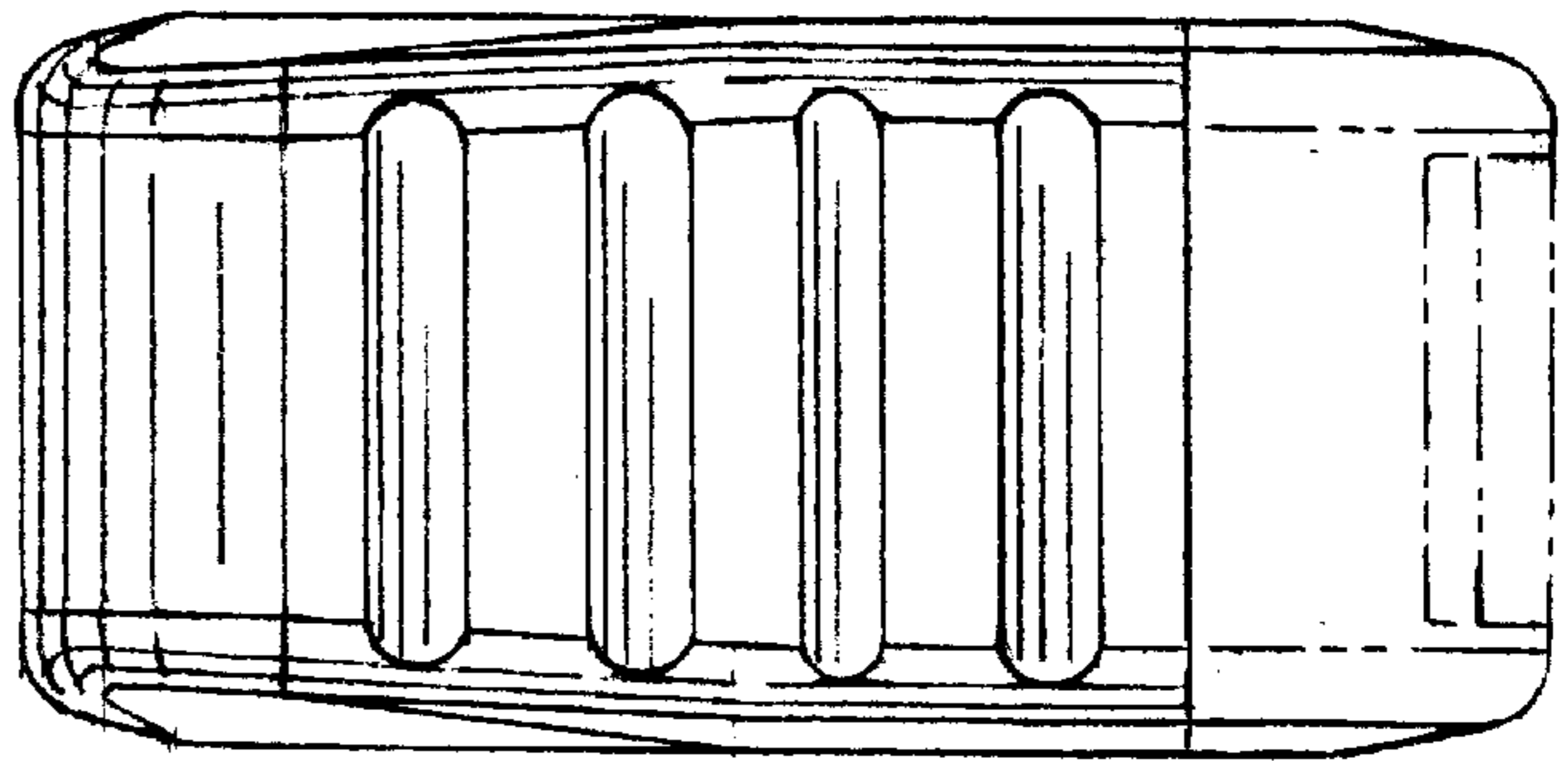


FIG. 8.