



US00D471108S

(12) **United States Design Patent** (10) **Patent No.:** **US D471,108 S**
Calderone, Jr. (45) **Date of Patent:** **** Mar. 4, 2003**

- (54) **BOTTLE AND CAP COMBINATION**
- (75) Inventor: **Benito Calderone, Jr.**, Elmont, NY (US)
- (73) Assignee: **Brian Tran**, Philadelphia, PA (US)
- (**) Term: **14 Years**
- (21) Appl. No.: **29/120,976**
- (22) Filed: **Mar. 29, 2000**
- (51) **LOC (7) Cl.** **09-01**
- (52) **U.S. Cl.** **D9/520; D9/560; D9/570; D9/574**
- (58) **Field of Search** D28/76, 77; D4/116; D9/338, 516, 503, 520, 557, 560, 561, 568, 570, 574, 575; 215/227, 228; 401/126-130

(56) **References Cited**

U.S. PATENT DOCUMENTS

D270,331 S	*	8/1983	Benson	D9/520
D271,565 S	*	11/1983	Slater	D9/520
D316,034 S	*	4/1991	DeGaetano	D9/338
D317,717 S	*	6/1991	Carol	D9/341
D330,859 S		11/1992	Schaeffer	D9/503
D405,013 S		2/1999	Schaeffer	D9/523
D406,242 S		3/1999	Schaeffer	D9/523
6,059,474 A	*	5/2000	Huang	401/129
D433,944 S	*	11/2000	Bernard	D9/520

OTHER PUBLICATIONS

Cosmetics & Toiletries, Jun. 1984, p. 68: bottle indicated by arrow.*
 Beauty Fashion, May 1985, p. 32: nail polish bottles on lower left.*
 Beauty Fashion, Apr. 1989, p. 31: bottle indicated by arrow.*
 McCALL's, Sep. 1991, p. 1: Cover Girl "Salon Solutions" bottles.*
 Drug & Cosmetic Industry (D&CI), may 1994, p. 91: bottles indicated by arrows.*

Elle, Aug. 1994, p. 9: Cover Girl Nail Slicks bottles.*
 Beauty Boutique Spring 1995 cat. p. 3: bottle indicated by arrow.*
 ALLURE, Feb. 1996, p. 59: Sally Hansen Hard as Nails bottles.*
 NAILS, Jan. 2000; *The Essie Vineyard*, by ESSIE®—p. 8.
 NAILS, Jan. 2000; *Clinically Correct*, by CLUB MAX—p. 9.
 NAILS, Jan. 2000; *Pure Platinum*, by CHINA GLAZE™—p. 41.
 NAILS, Jan. 2000; *OPI Products' Laquer Bottle*, by OPI—p. 59.
 NAILS, Jan. 2000; *Lauren Amoresse*, by Lauren Amoresse International—p. 63.

* cited by examiner

Primary Examiner—Ted Shooman

Assistant Examiner—C Tuttle

(74) *Attorney, Agent, or Firm*—Caesar, Rivise, Bernstein, Cohen & Pokotilow, Ltd.

(57) **CLAIM**

The ornamental design for a bottle and cap combination, as shown and described.

DESCRIPTION

FIG. 1 is a perspective view of the bottle and cap combination of this invention at two-thirds scale;
 FIG. 2 is a side elevational view of FIG. 1 to actual scale, with the remaining three side views being identical;
 FIG. 3 is a plan view to actual scale of the bottle and cap combination shown in FIG. 1;
 FIG. 4 is a bottom view to actual scale of the bottle and cap combination shown in FIG. 1; and,
 FIG. 5 is a perspective view of the bottle portion of the design to twice actual scale, shown with the cap removed to show the underlying parts.

1 Claim, 3 Drawing Sheets

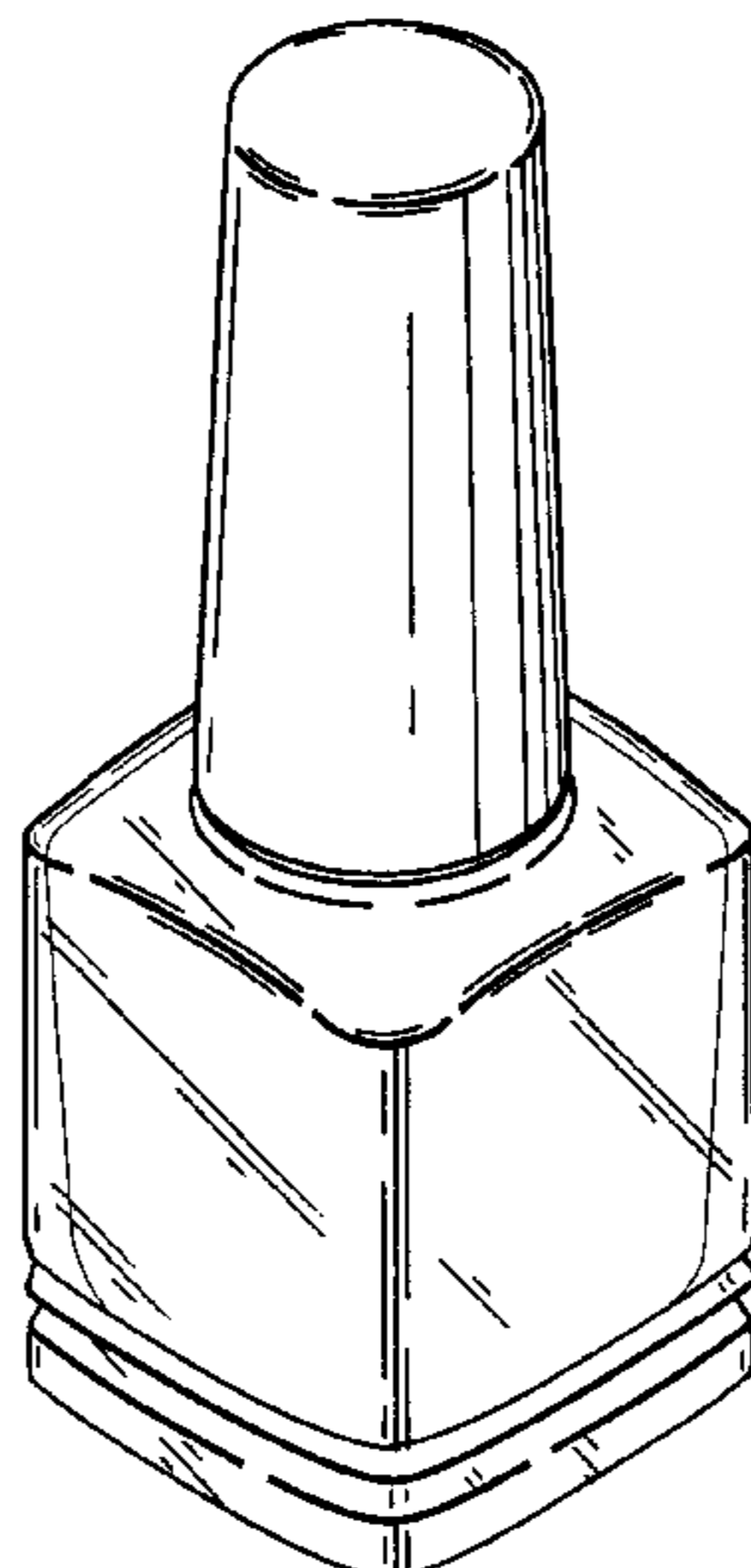


FIG. 1

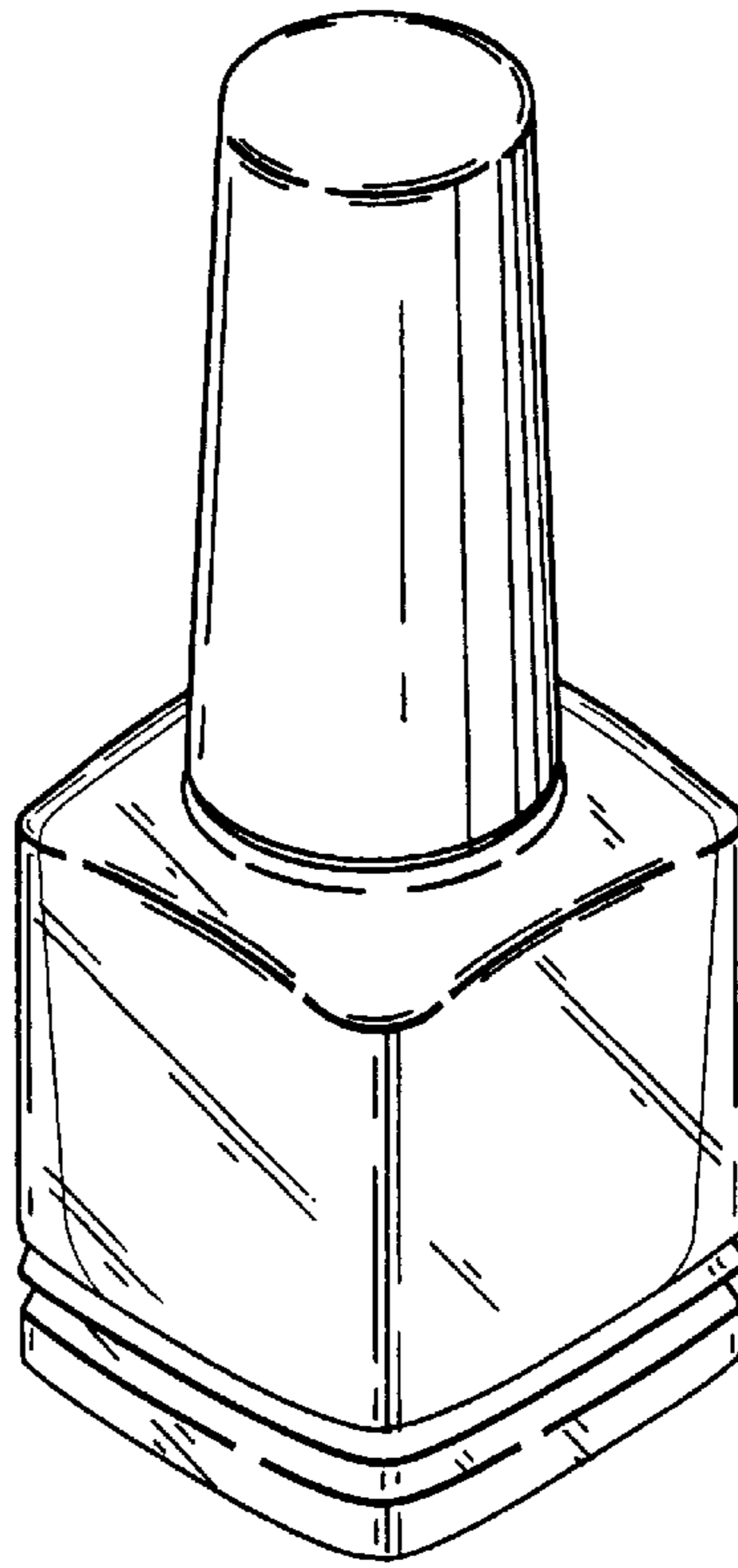


FIG. 2

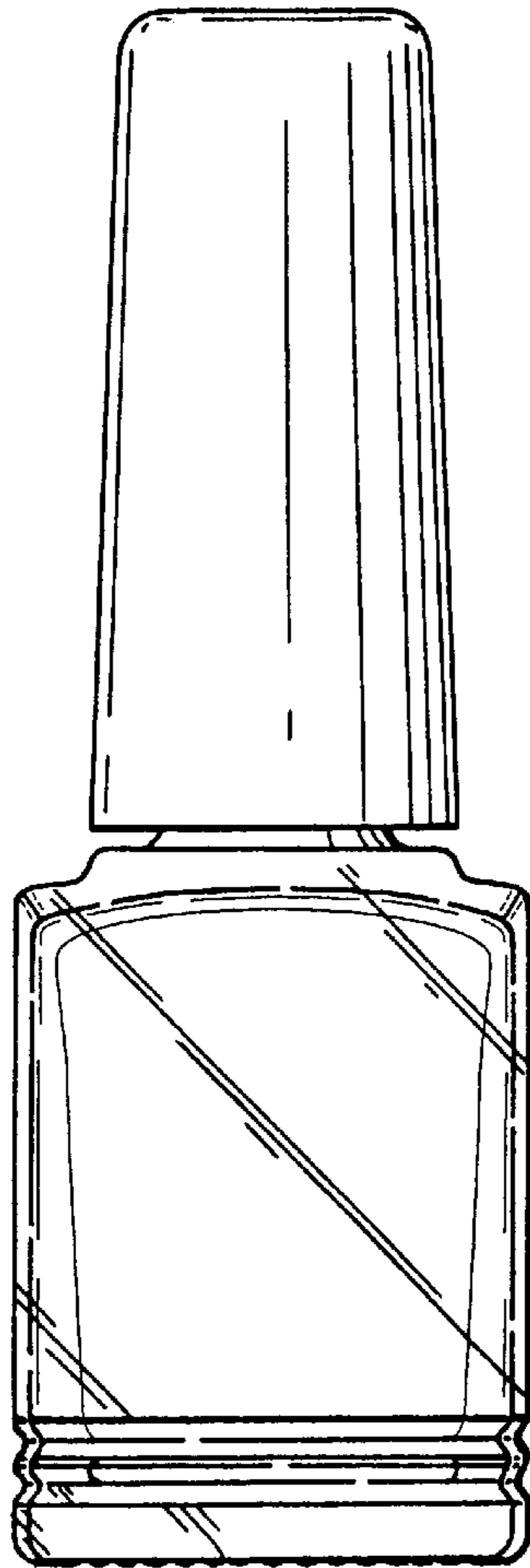


FIG. 3

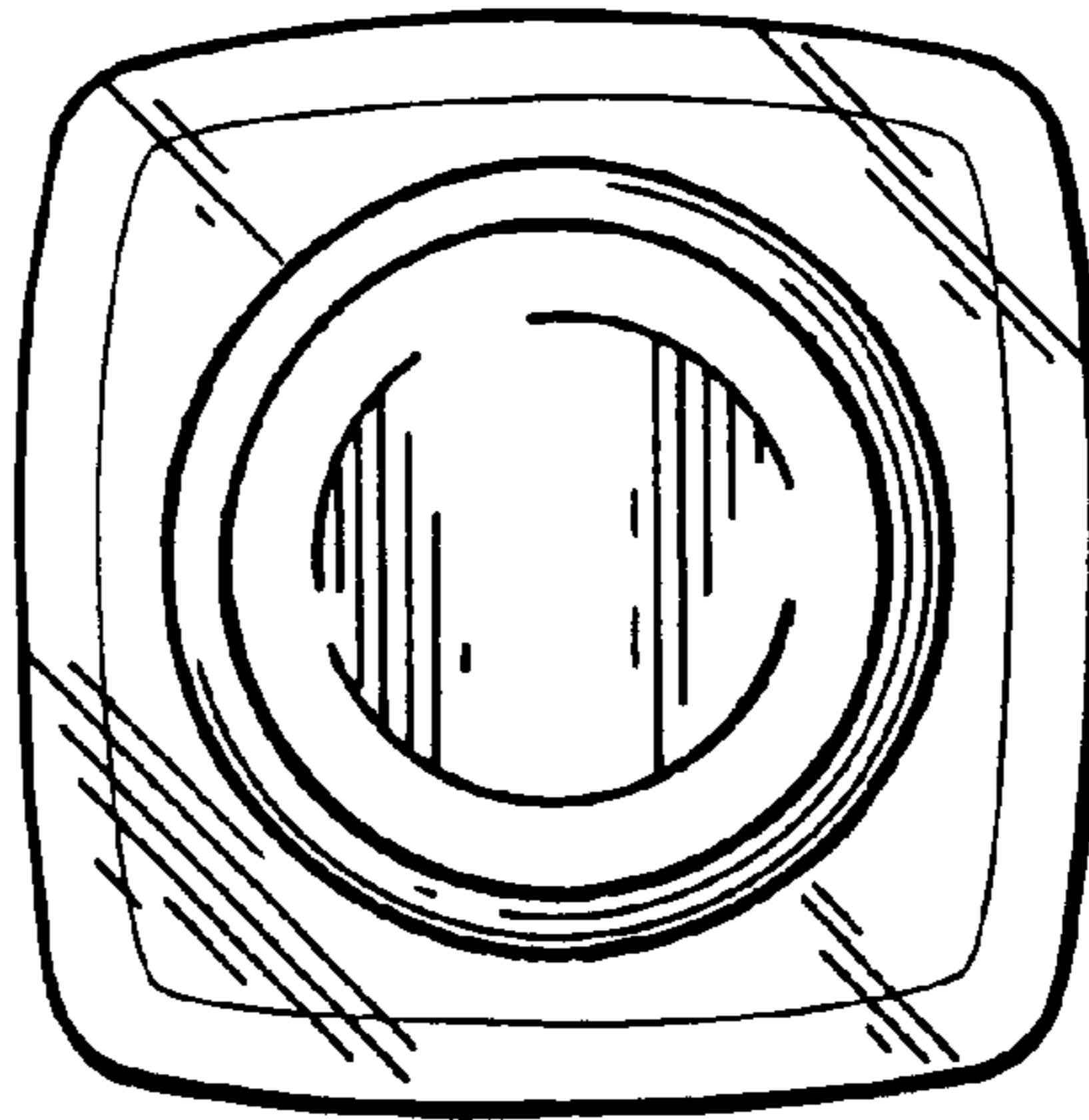


FIG. 4

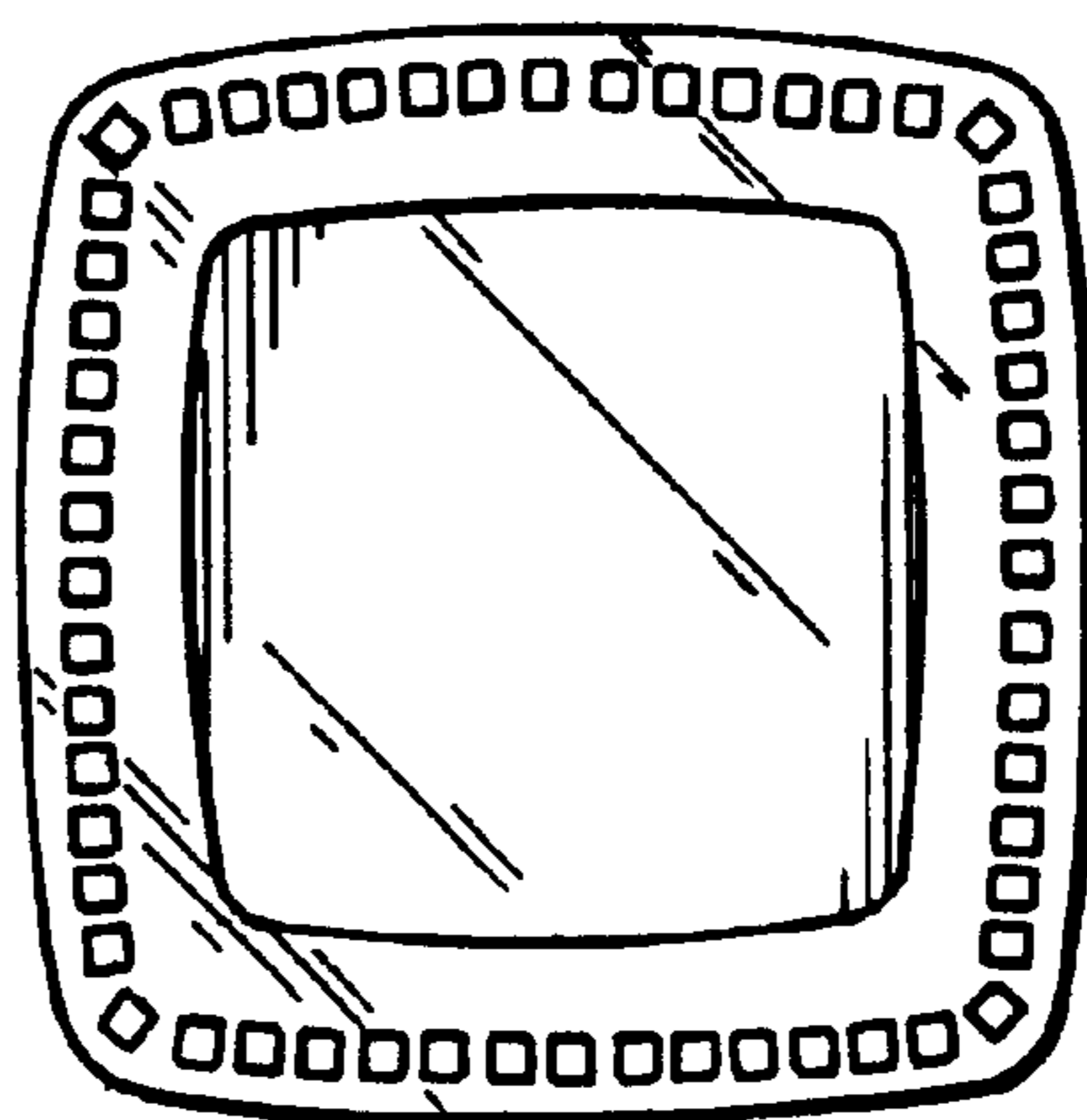


FIG. 5

