



US00D471105S

(12) **United States Design Patent**
González Fernández

(10) **Patent No.:** **US D471,105 S**

(45) **Date of Patent:** **** Mar. 4, 2003**

(54) **PUSHBUTTON SPRAYHEAD**

(75) **Inventor:** **Francesc Xavier González Fernández,**
Barcelona (ES)

(73) **Assignee:** **Saint-Gobain Calmar S.A.,** Barcelona
(ES)

(**) **Term:** **14 Years**

(21) **Appl. No.:** **29/135,208**

(22) **Filed:** **Jan. 9, 2001**

(30) **Foreign Application Priority Data**

Jul. 14, 2000 (ES) 1480903

(51) **LOC (7) Cl.** **09-07**

(52) **U.S. Cl.** **D9/448**

(58) **Field of Search** D9/300, 447, 448;
222/372, 383.1, 383.2

(56) **References Cited**

U.S. PATENT DOCUMENTS

D389,059 S * 1/1998 Mascitelli D9/448

D398,529 S * 9/1998 Mascitelli D9/448
D424,441 S * 5/2000 Santagiuliana D9/448
D436,863 S * 1/2001 Wadsworth et al. D9/448
D438,113 S * 2/2001 Wadsworth D9/448

* cited by examiner

Primary Examiner—Dominic Simone

(74) *Attorney, Agent, or Firm*—Staas & Halsey LLP

(57) **CLAIM**

The ornamental design for the pushbutton sprayhead, as shown and described.

DESCRIPTION

FIG. 1 is a top plan view of the pushbutton sprayhead embodying the new design;

FIG. 2 is a bottom plan view thereof;

FIG. 3 is a rear elevational view thereof;

FIG. 4 is a front elevational view thereof; and,

FIG. 5 is a right-side elevational view thereof, it being noted that the left-side elevational view is a mirror image thereof.

1 Claim, 1 Drawing Sheet

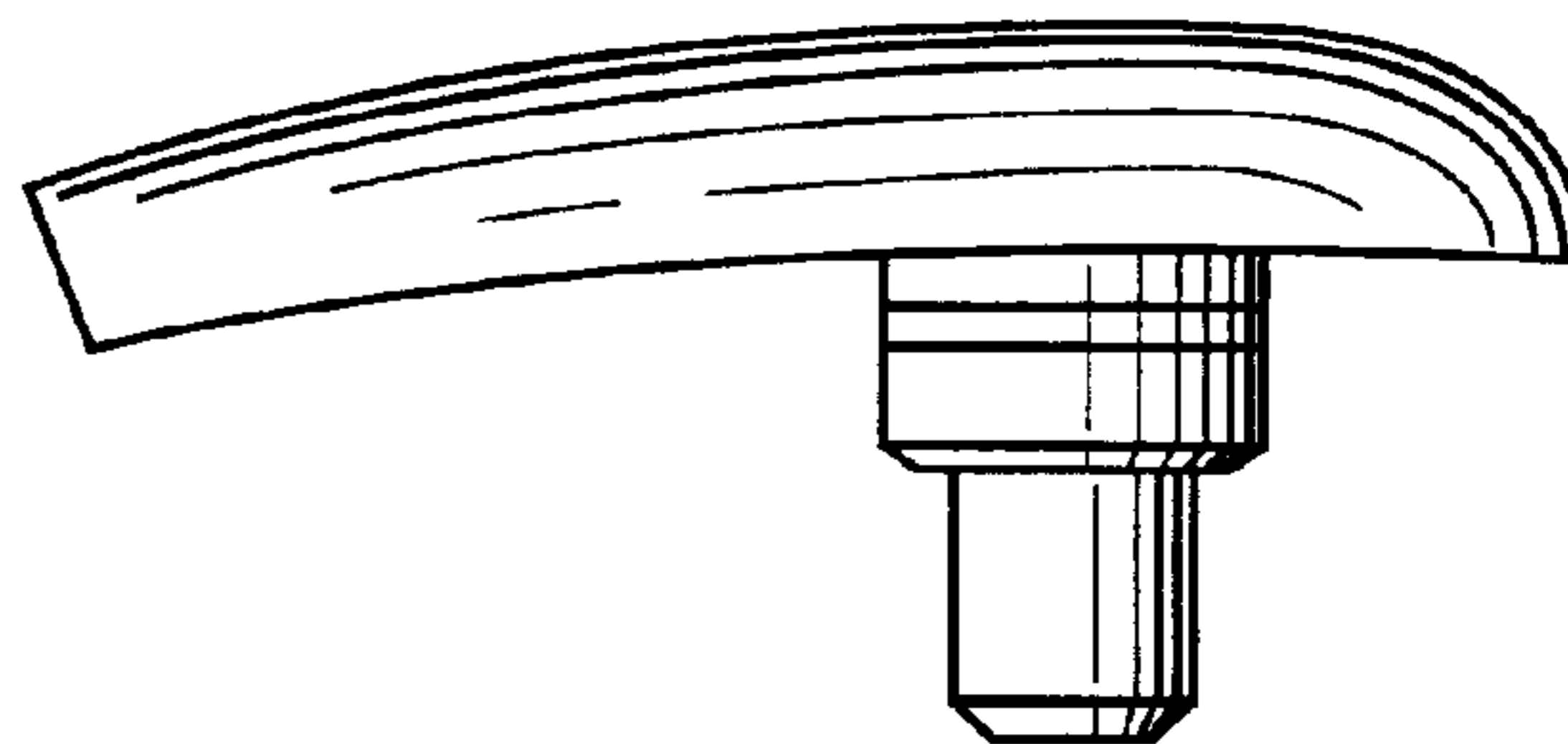
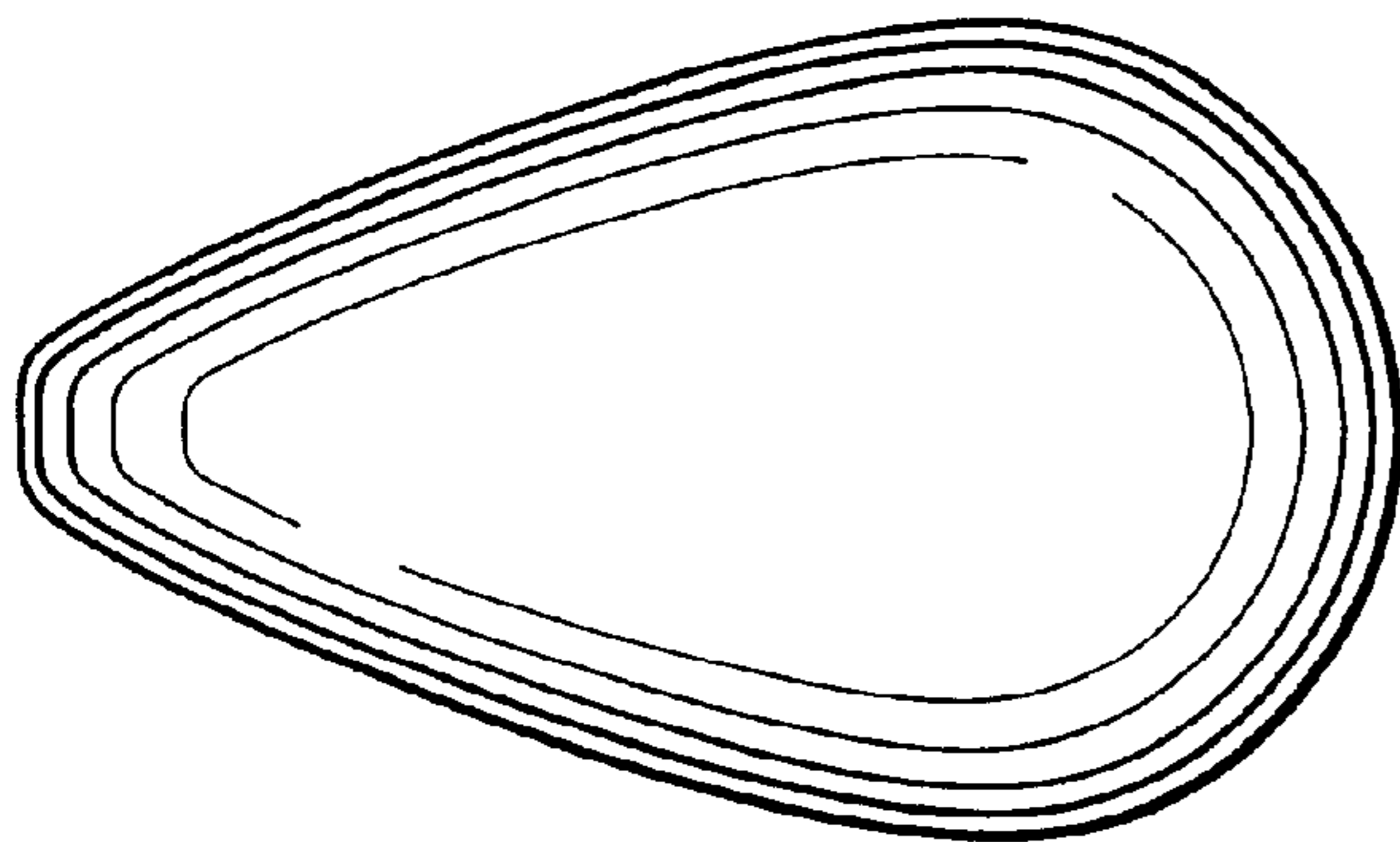


FIG. 1

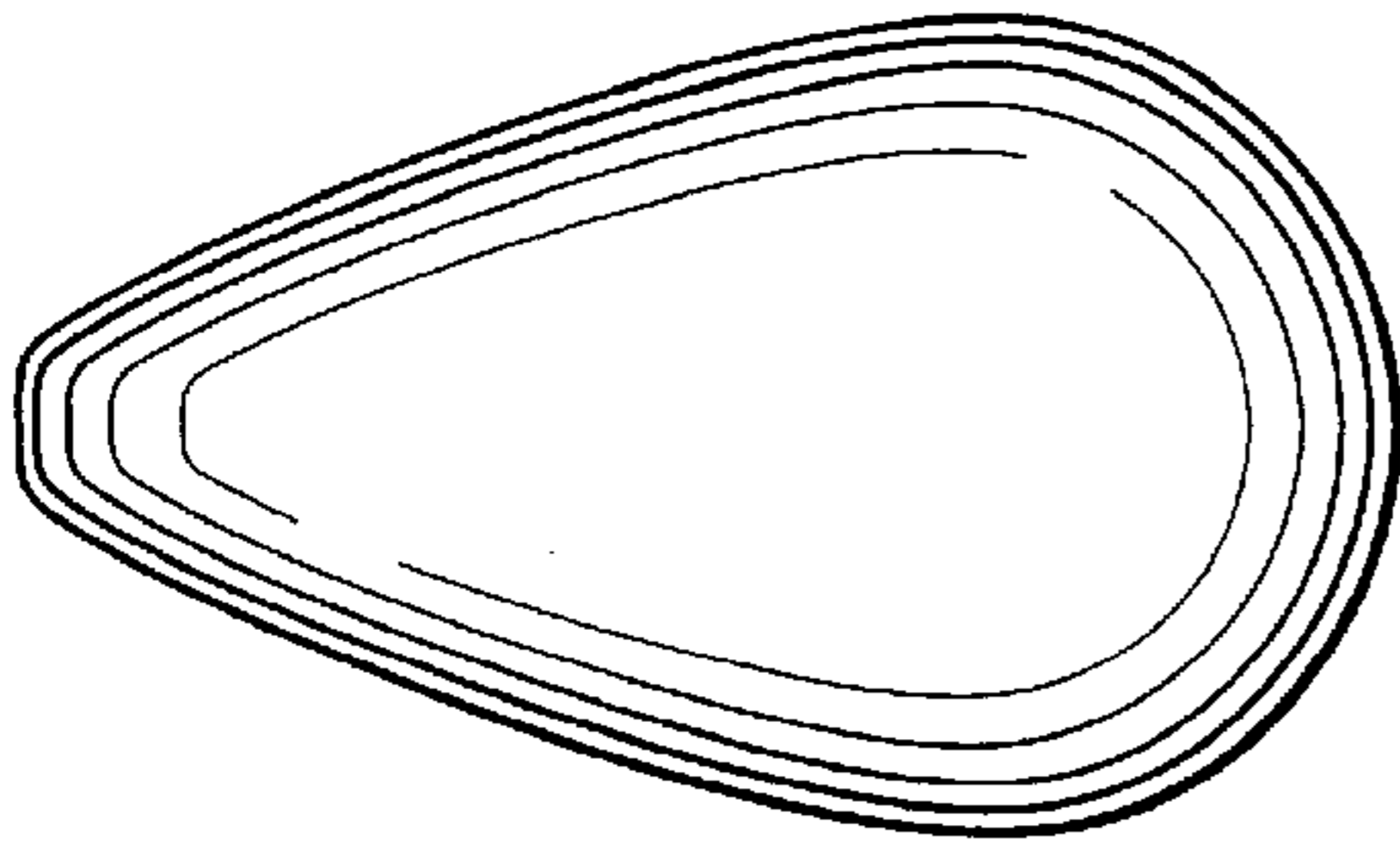


FIG. 2

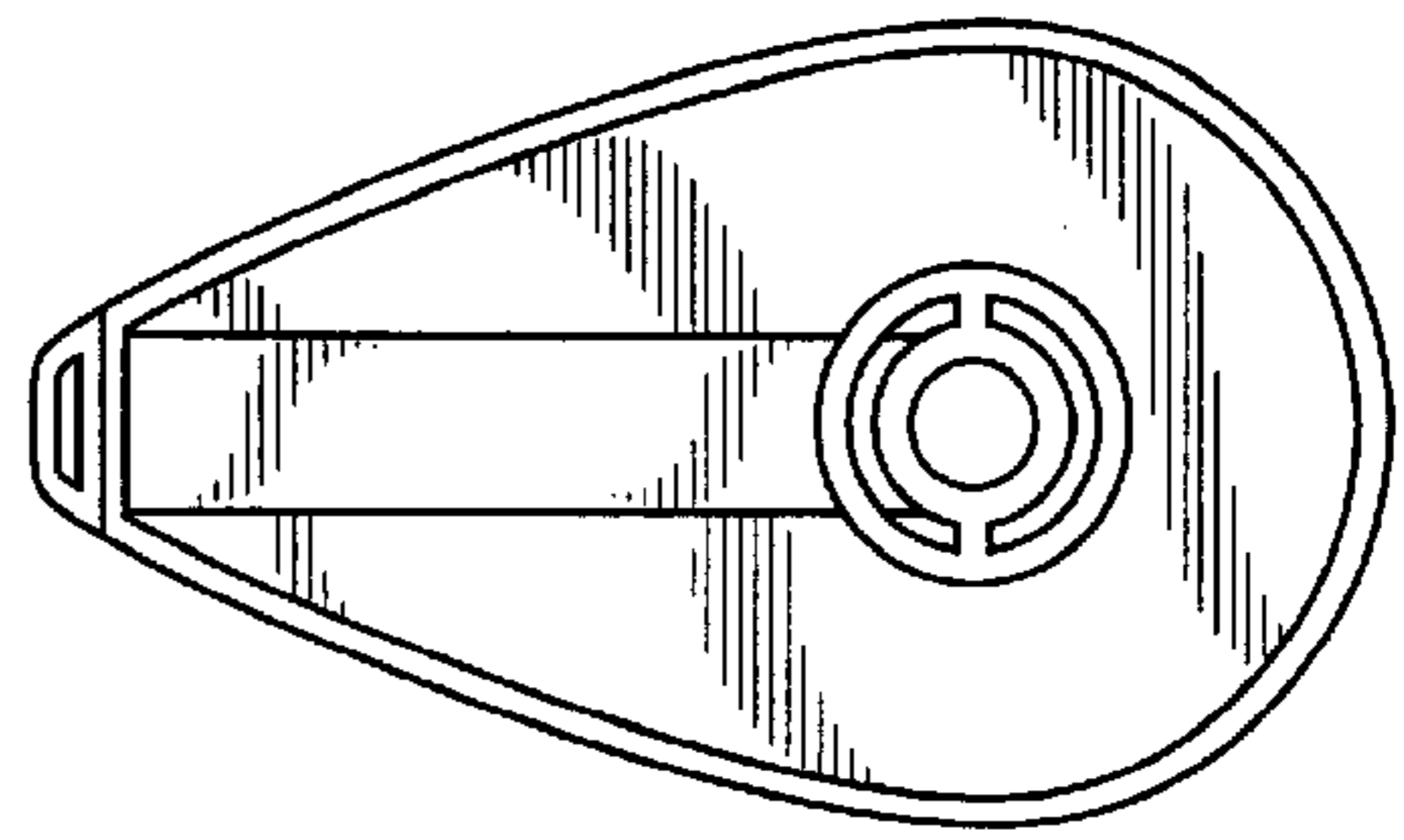


FIG. 3

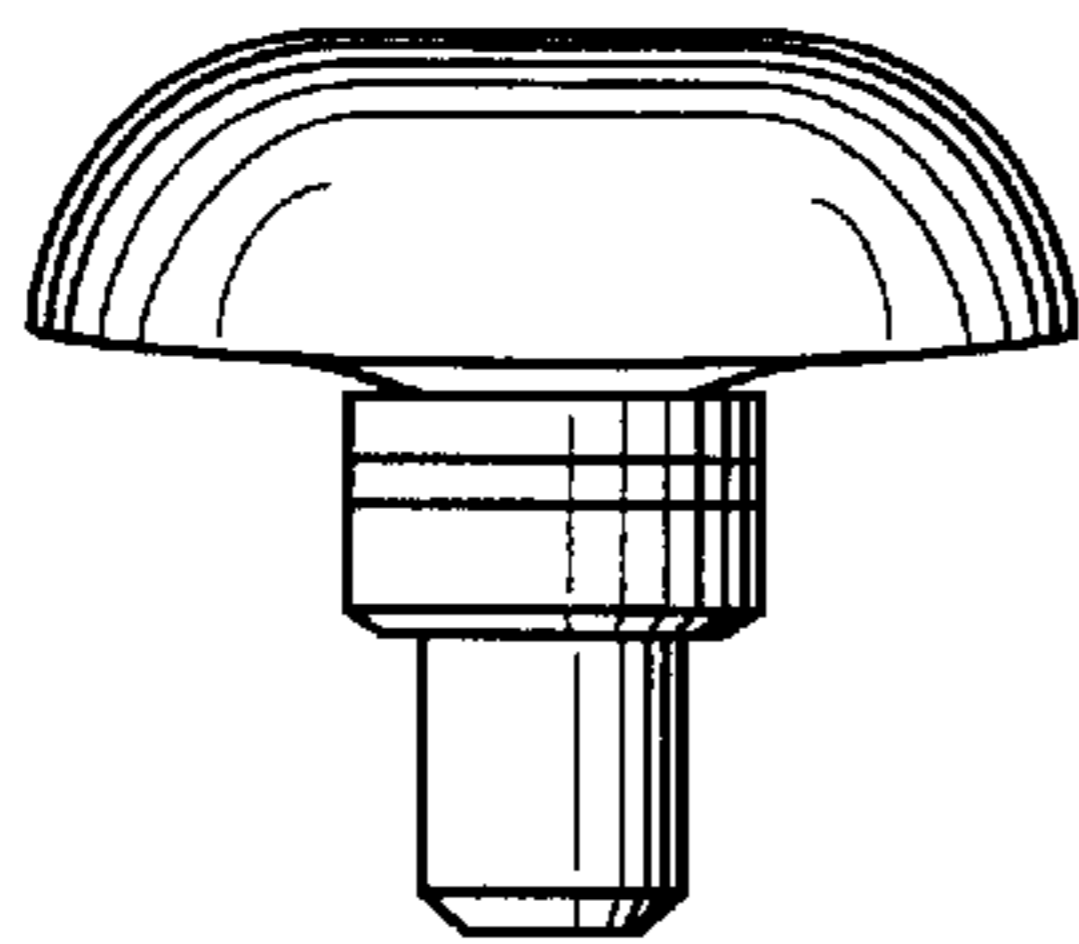


FIG. 4

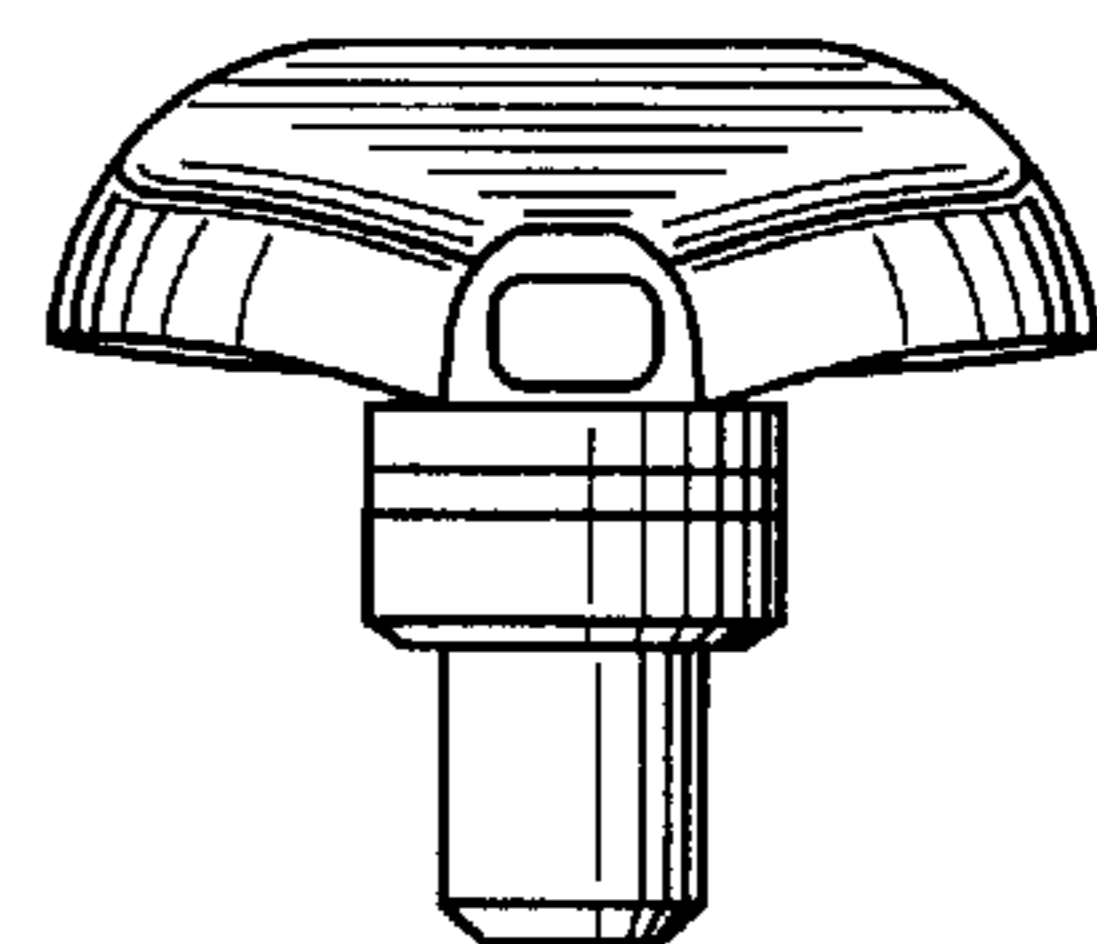


FIG. 5

