



US00D471093S

(12) **United States Design Patent**  
**Thorne et al.**

(10) **Patent No.:** **US D471,093 S**

(45) **Date of Patent:** **\*\* Mar. 4, 2003**

(54) **DORIC COLUMN ON PEDESTAL SHAPED BOTTLE**

5,692,351 A \* 12/1997 Morrison et al. .... D25/129 X  
D408,687 S \* 4/1999 Chan ..... D9/322 X

(76) Inventors: **Steve Thorne**, 3315 Grand Ave.,  
Oakland, CA (US) 94610; **Bruce W. Leppla**, 500 El Camino Del Mar, San  
Francisco, CA (US) 94121

\* cited by examiner

*Primary Examiner*—Terry A. Wallace

(\*\*) Term: **14 Years**

(57) **CLAIM**

The ornamental design for a doric column on pedestal shaped bottle, as shown and described.

(21) Appl. No.: **29/156,619**

**DESCRIPTION**

(22) Filed: **Mar. 4, 2002**

(51) **LOC (7) Cl.** ..... **09-01**

(52) **U.S. Cl.** ..... **D9/322**

(58) **Field of Search** ..... D9/307, 322; D25/126,  
D25/128, 129; 206/457; 229/116.1–116.5;  
215/400

FIG. 1 is a front elevational view of a bottle showing our new design (the rear elevational view is a mirror image).

FIG. 2 is a side elevational view thereof (left and right side are the same);

FIG. 3 is a top view thereof;

FIG. 4 is a cross-section view taken along line 4—4 of FIG. 1, the shaft is shown separately for clarity of illustration; and,

FIG. 5 is a cross-section view taken along line 5—5 of FIG. 1.

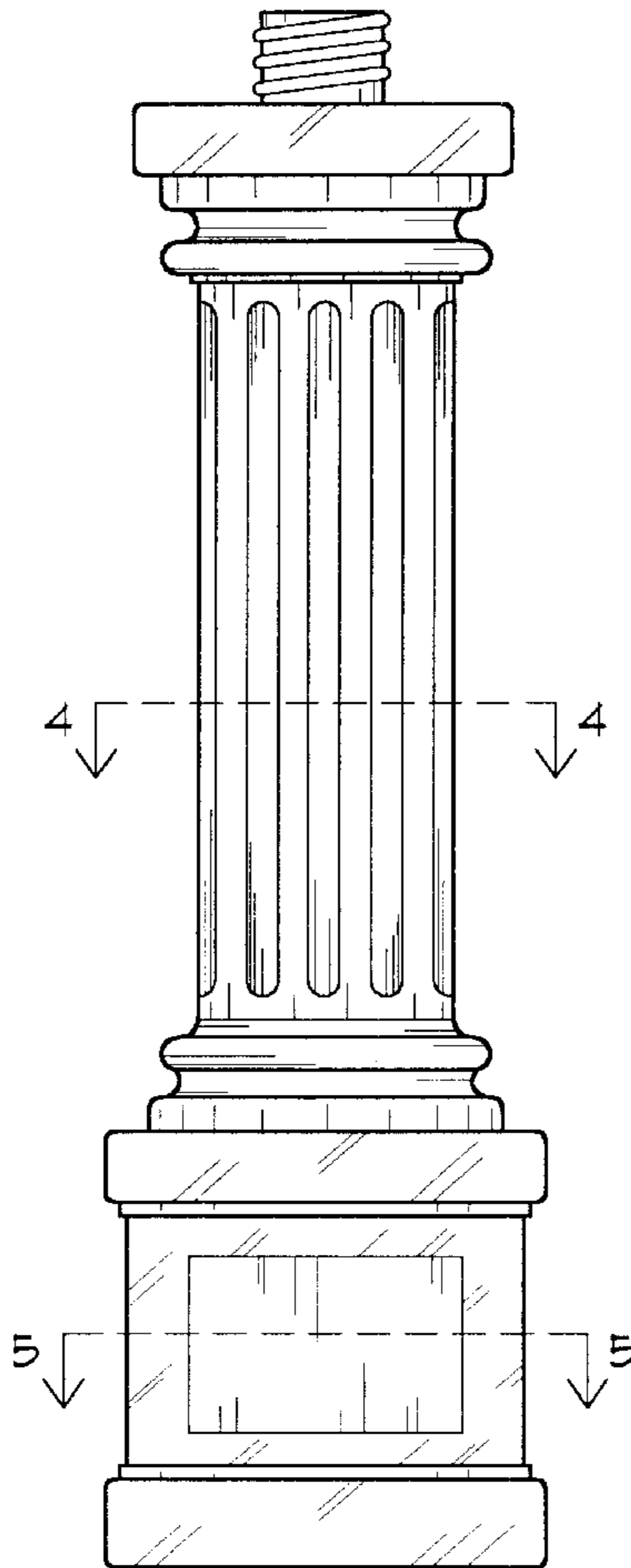
The bottom of the bottle is unornamented.

(56) **References Cited**

**U.S. PATENT DOCUMENTS**

- D32,857 S \* 6/1900 Peet ..... D25/129 X
- D113,887 S \* 3/1939 West ..... D9/322
- D278,676 S \* 5/1985 DeAre ..... D25/129

**1 Claim, 1 Drawing Sheet**



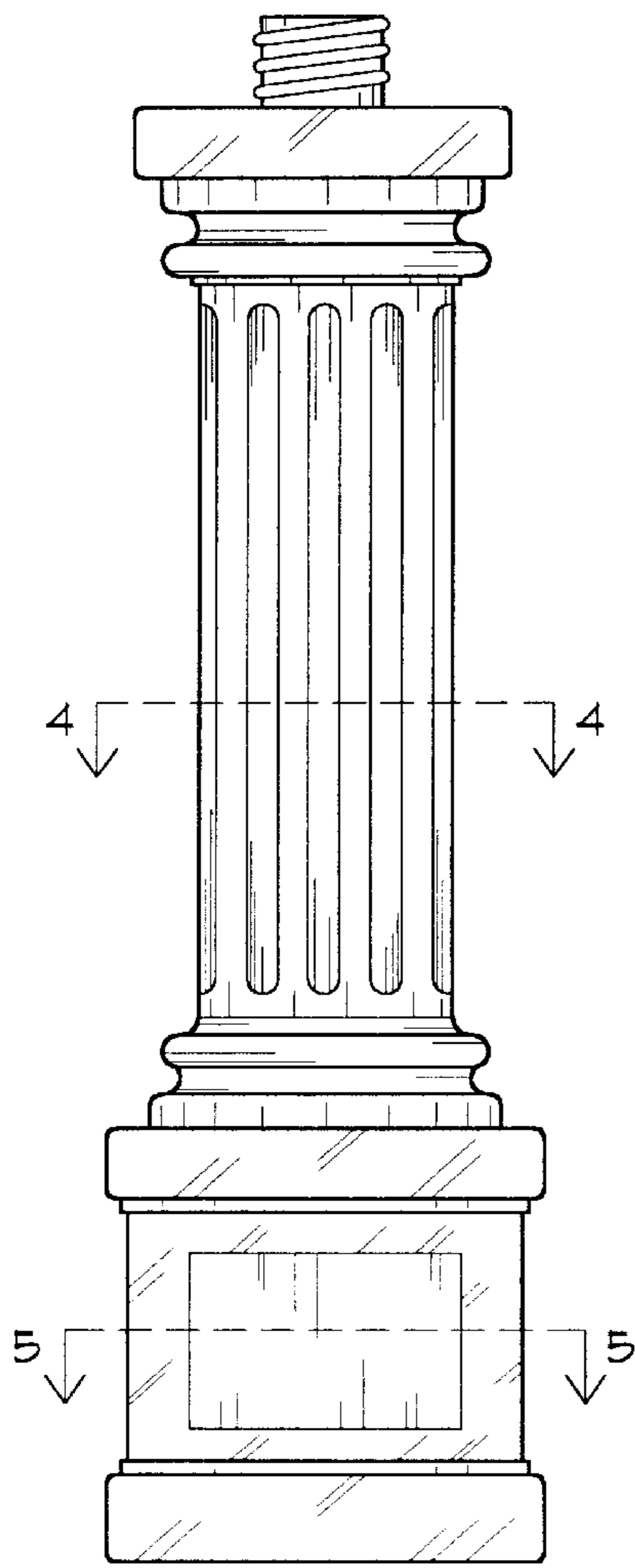


FIG. 1

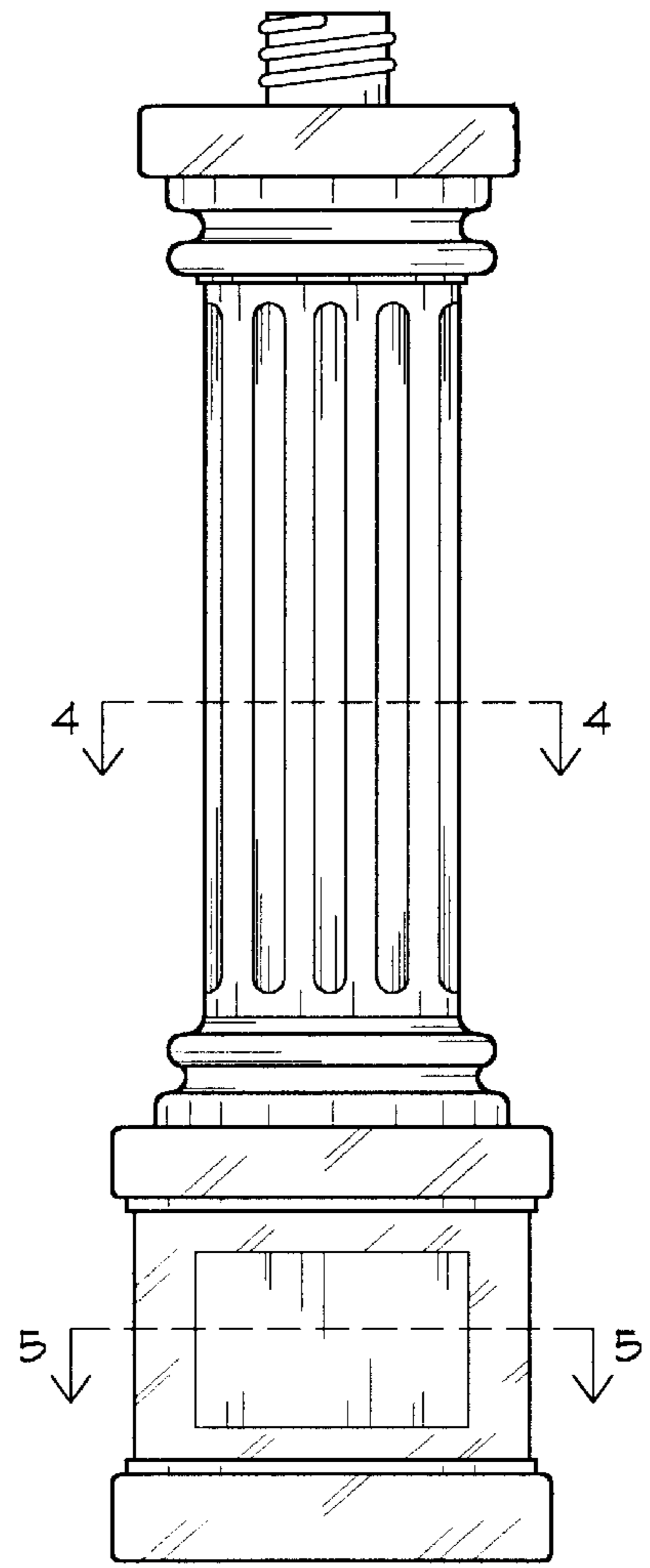


FIG. 2

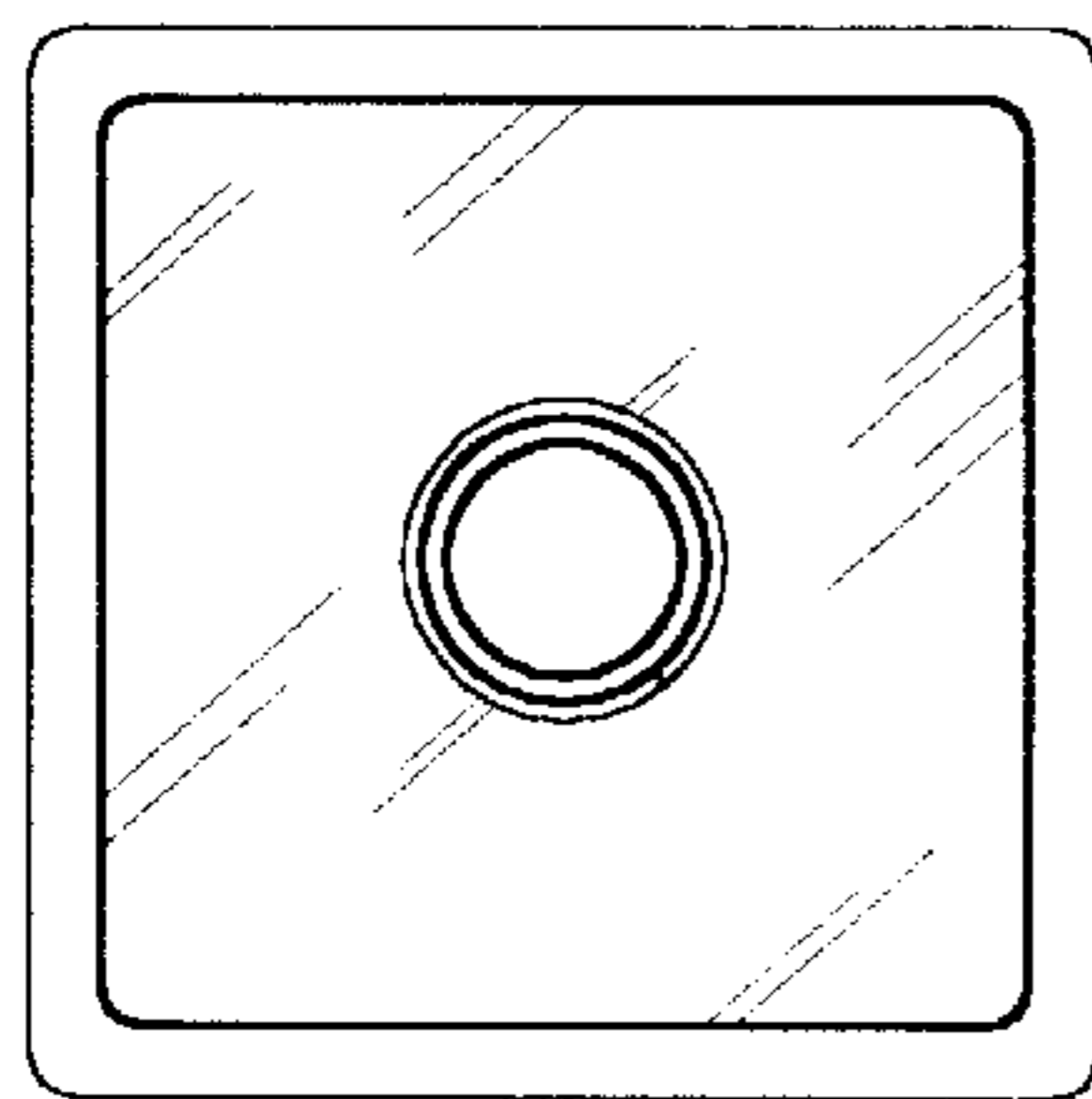


FIG. 3

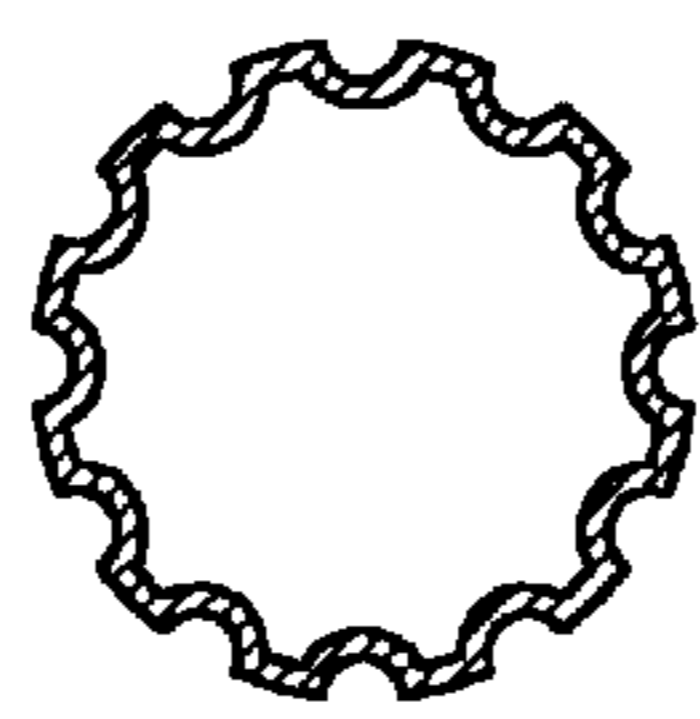


FIG. 4

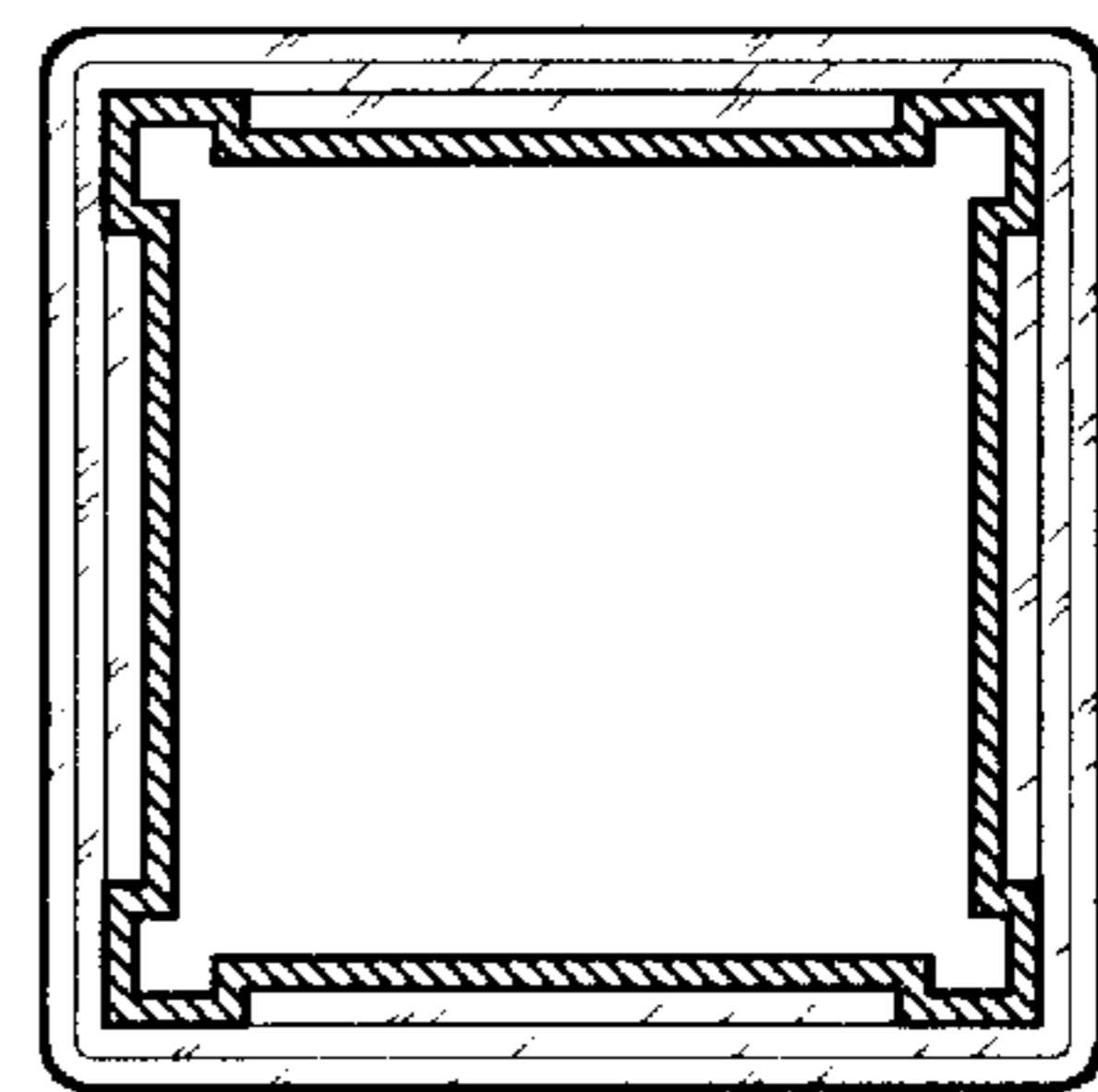


FIG. 5