



US00D471092S

(12) **United States Design Patent**
Thorne et al.

(10) **Patent No.:** **US D471,092 S**
(45) **Date of Patent:** **** Mar. 4, 2003**

(54) **CORINTHIAN COLUMN WITH LABEL SPACE SHAPED BOTTLE**

3,421,269 A * 1/1969 Medow D25/128
D408,687 S * 4/1999 Chan D9/322 X

(76) Inventors: **Steve Thorne**, 3315 Grand Ave.,
Oakland, CA (US) 94610; **Bruce W. Leppla**, 500 El Camino Del Mar, San
Francisco, CA (US) 94121

* cited by examiner

Primary Examiner—Terry A. Wallace

(**) Term: **14 Years**

(57) **CLAIM**

The ornamental design for a Corinthian column with label space shaped bottle, as shown and described.

(21) Appl. No.: **29/156,618**

DESCRIPTION

(22) Filed: **Mar. 4, 2002**

FIG. 1 is a front elevational view of a bottle showing our new design (the rear elevational view is a mirror image).

(51) **LOC (7) Cl.** **09-01**

FIG. 2 is a side elevational view thereof (left and right side are the same);

(52) **U.S. Cl.** **D9/322**

FIG. 3 is a top view thereof;

(58) **Field of Search** D9/307, 322; D25/126,
D25/128, 129; 206/457; 229/116.1–116.5;
215/400

FIG. 4 is a cross-section view taken along line 4—4 of FIG. 1, the shaft is shown separately for clarity of illustration; and,

(56) **References Cited**

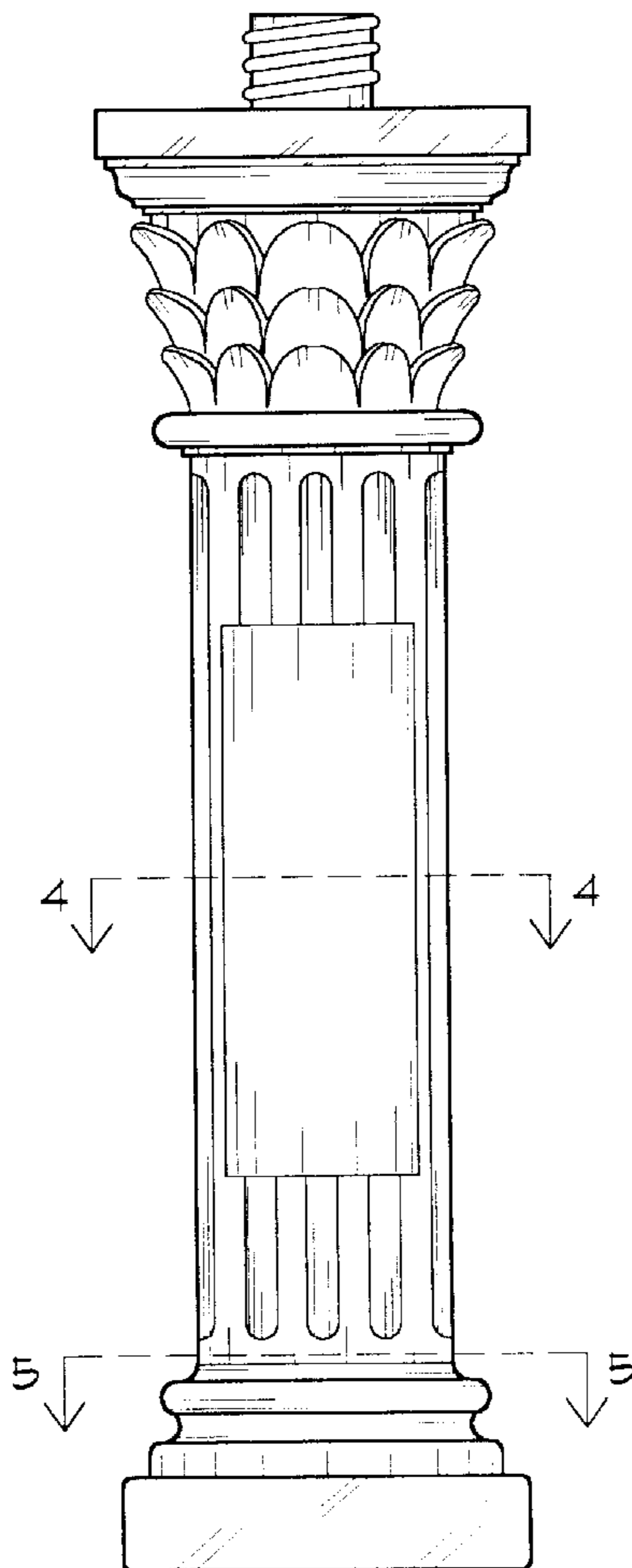
FIG. 5 is a cross-section view taken along line 5—5 of FIG. 1.

U.S. PATENT DOCUMENTS

The bottom of the bottle is unornamented.

D31,160 S * 7/1899 Schwerd et al. D25/129
D95,881 S * 6/1935 Waggoner D25/129

1 Claim, 1 Drawing Sheet



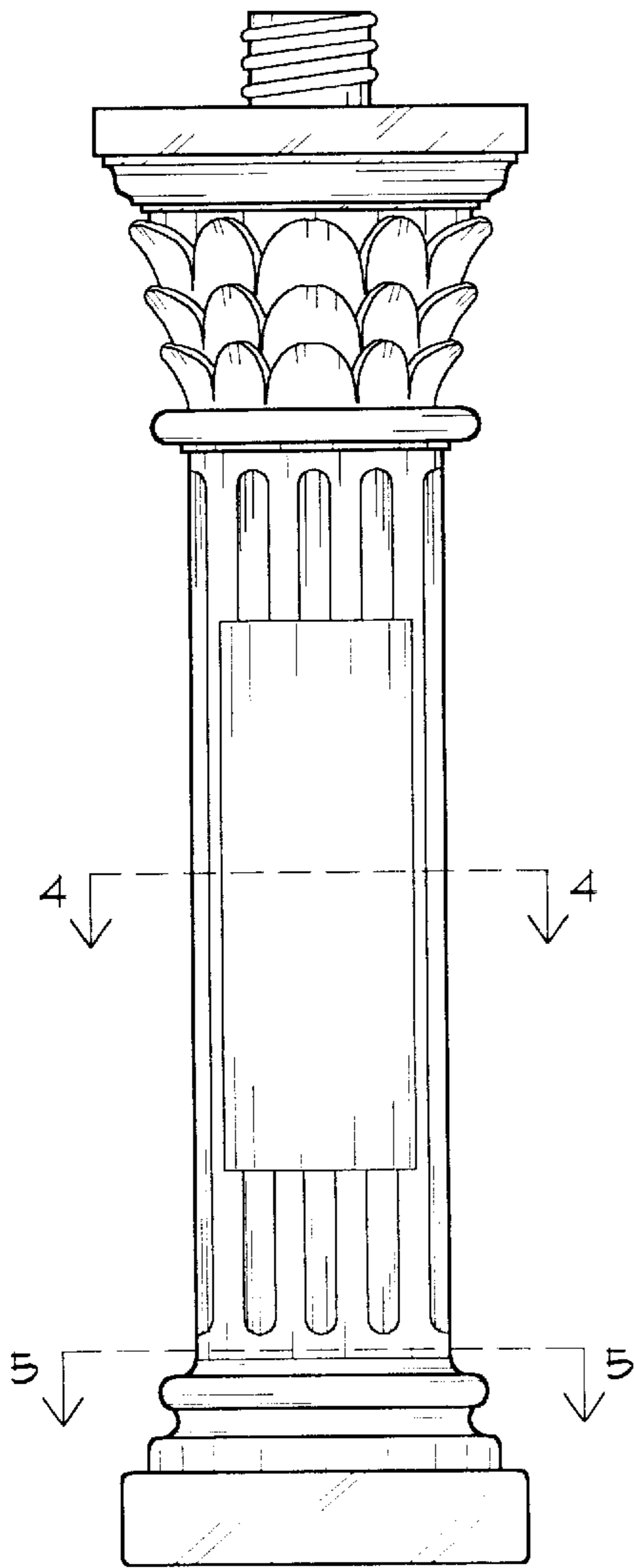


FIG. 1

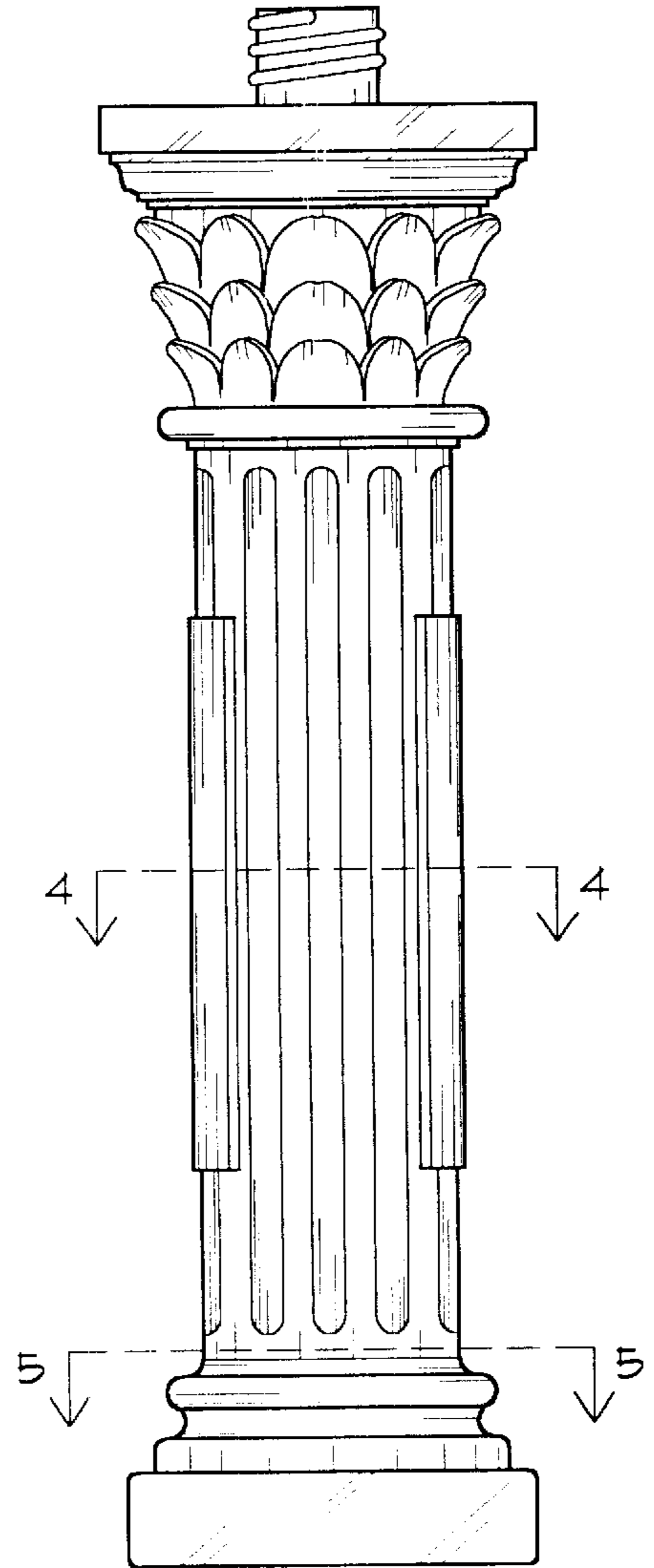


FIG. 2

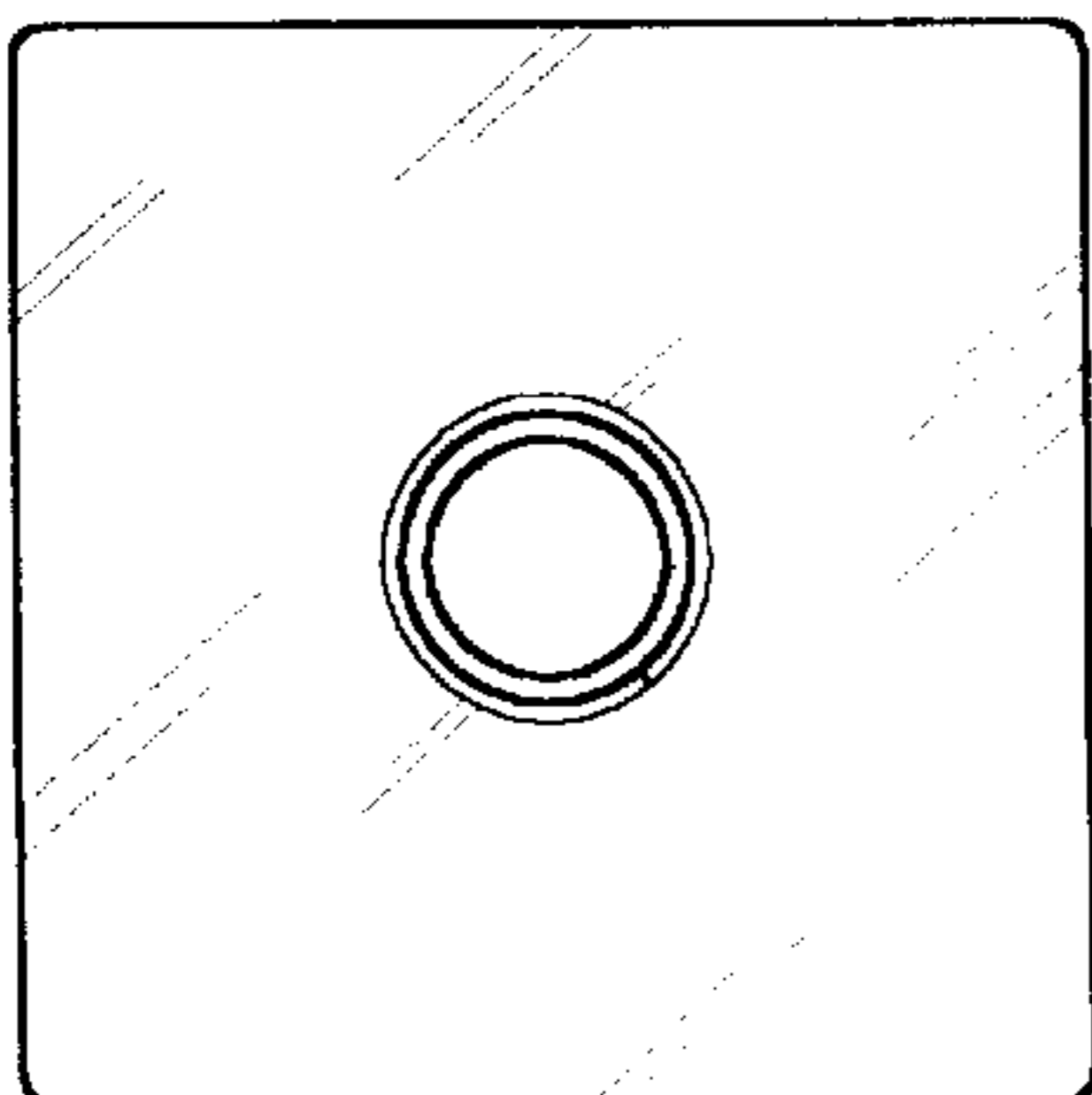


FIG. 3

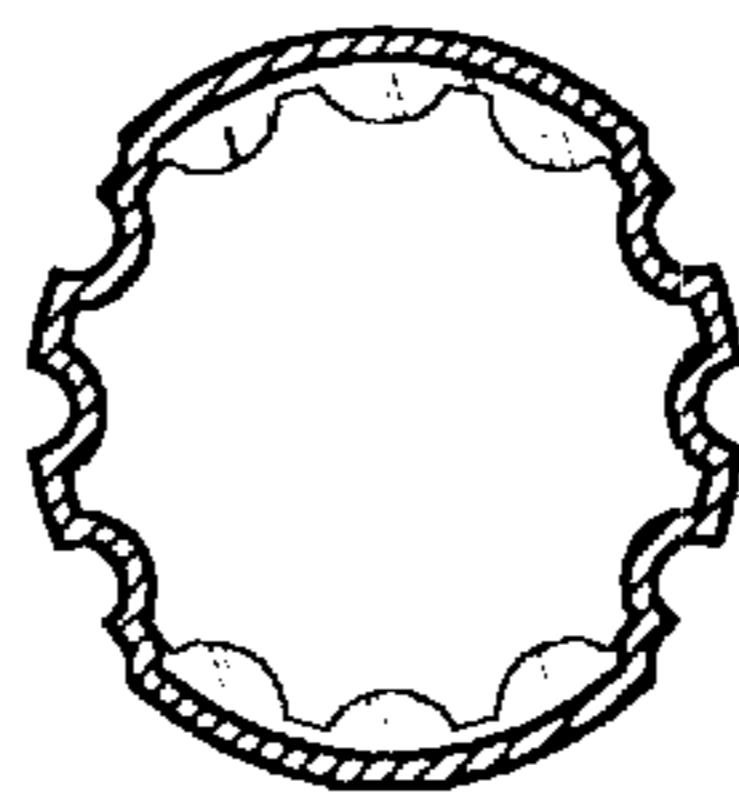


FIG. 4

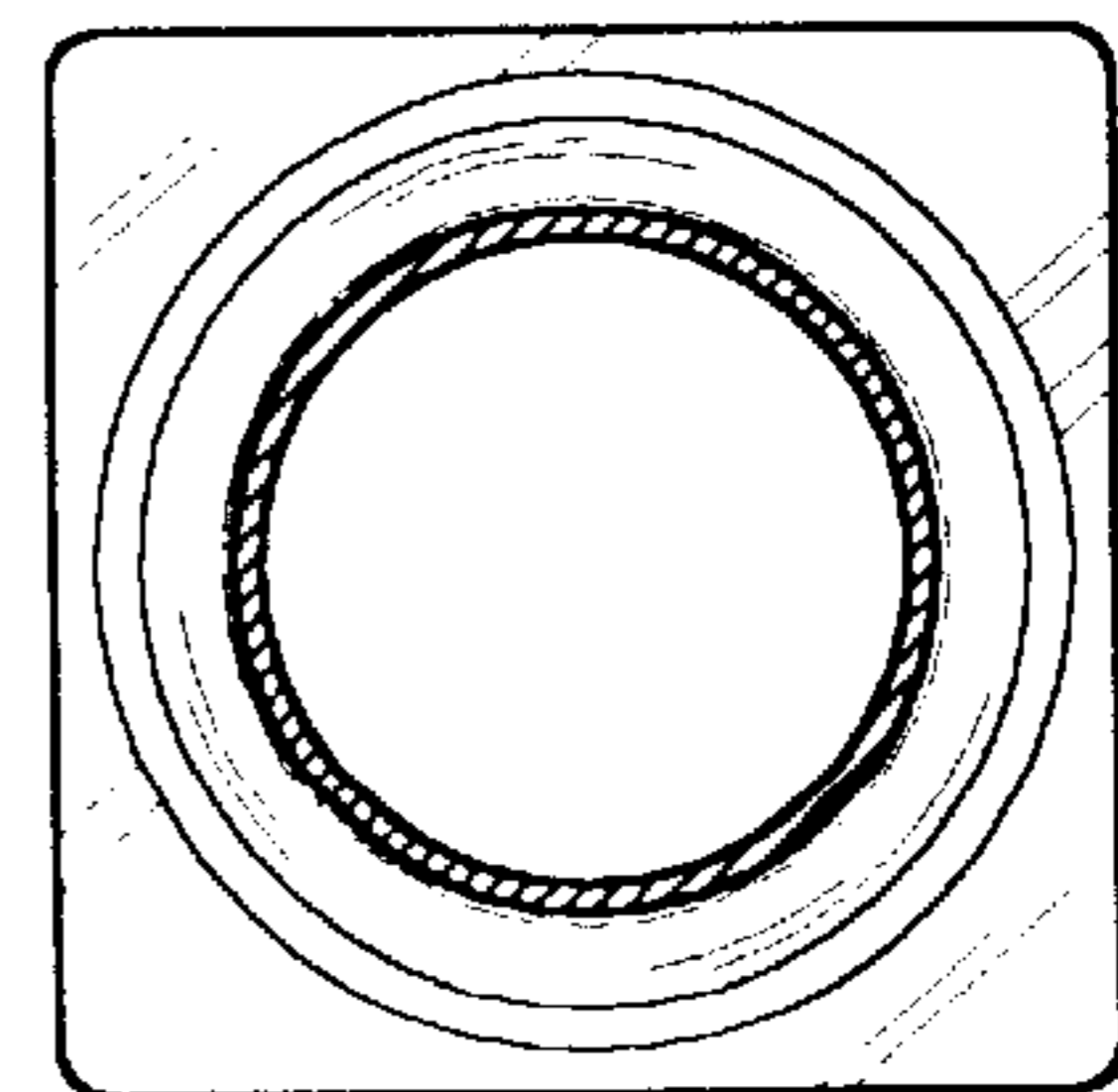


FIG. 5