



US00D471086S

(12) **United States Design Patent**
Helleu

(10) **Patent No.:** **US D471,086 S**

(45) **Date of Patent:** **** Mar. 4, 2003**

(54) **FRAGRANCE DISPENSER**

(75) Inventor: **Jacques Helleu**, Garches (FR)

(73) Assignee: **Chanel, Inc.**, New York, NY (US)

(**) Term: **14 Years**

(21) Appl. No.: **29/157,790**

(22) Filed: **Mar. 25, 2002**

(51) **LOC (7) Cl.** **09-01**

(52) **U.S. Cl.** **D9/300**

(58) **Field of Search** D9/300, 544, 545,
D9/564, 549, 573, 574, 558; D28/91.1;
222/321.1, 321.2, 321.7, 321.8, 321.9

(56) **References Cited**

U.S. PATENT DOCUMENTS

D8,417 S	6/1875	Truax
D16,200 S	8/1885	Wadsworth
D28,483 S	1/1898	Modes
D29,092 S	7/1898	Freeman
D49,235 S	6/1916	Vivaudou
D61,415 S	8/1922	Klein
D62,145 S	3/1923	Danziger
D68,340 S	9/1925	Oppenheim
D71,162 S	9/1926	Smith
D77,805 S	2/1929	Bicks
D86,703 S	4/1932	Delich
D87,142 S	6/1932	Barbiers
D87,255 S	6/1932	Fuerst
D88,076 S	10/1932	Fuerst
D92,843 S	7/1934	Gest
D97,391 S	11/1935	Hankar
D99,648 S	5/1936	Mulhens
D101,011 S	8/1936	Scurlock
D101,919 S	11/1936	Leach

(List continued on next page.)

Primary Examiner—Paula A. Mortimer

(74) *Attorney, Agent, or Firm*—Darby & Darby

(57) **CLAIM**

The ornamental design for a fragrance dispenser, as shown and described.

DESCRIPTION

FIG. 1 is a perspective view of a fragrance dispenser showing my new design;

FIG. 2 is a side elevational view of the fragrance dispenser, the opposite side view being a mirror image thereof;

FIG. 3 is a top plan view of the fragrance dispenser;

FIG. 4 is a bottom plan view of the fragrance dispenser;

FIG. 5 is a front elevational view of the fragrance dispenser;

FIG. 6 is a rear elevational view of the fragrance dispenser;

FIG. 7 is a top perspective view of the fragrance dispenser without the cap;

FIG. 8 is a side elevational view of the fragrance dispenser without the cap, the opposite side view being a mirror image thereof;

FIG. 9 is a top plan view of the fragrance dispenser with the cap;

FIG. 10 is a bottom plan view of the fragrance dispenser without the cap;

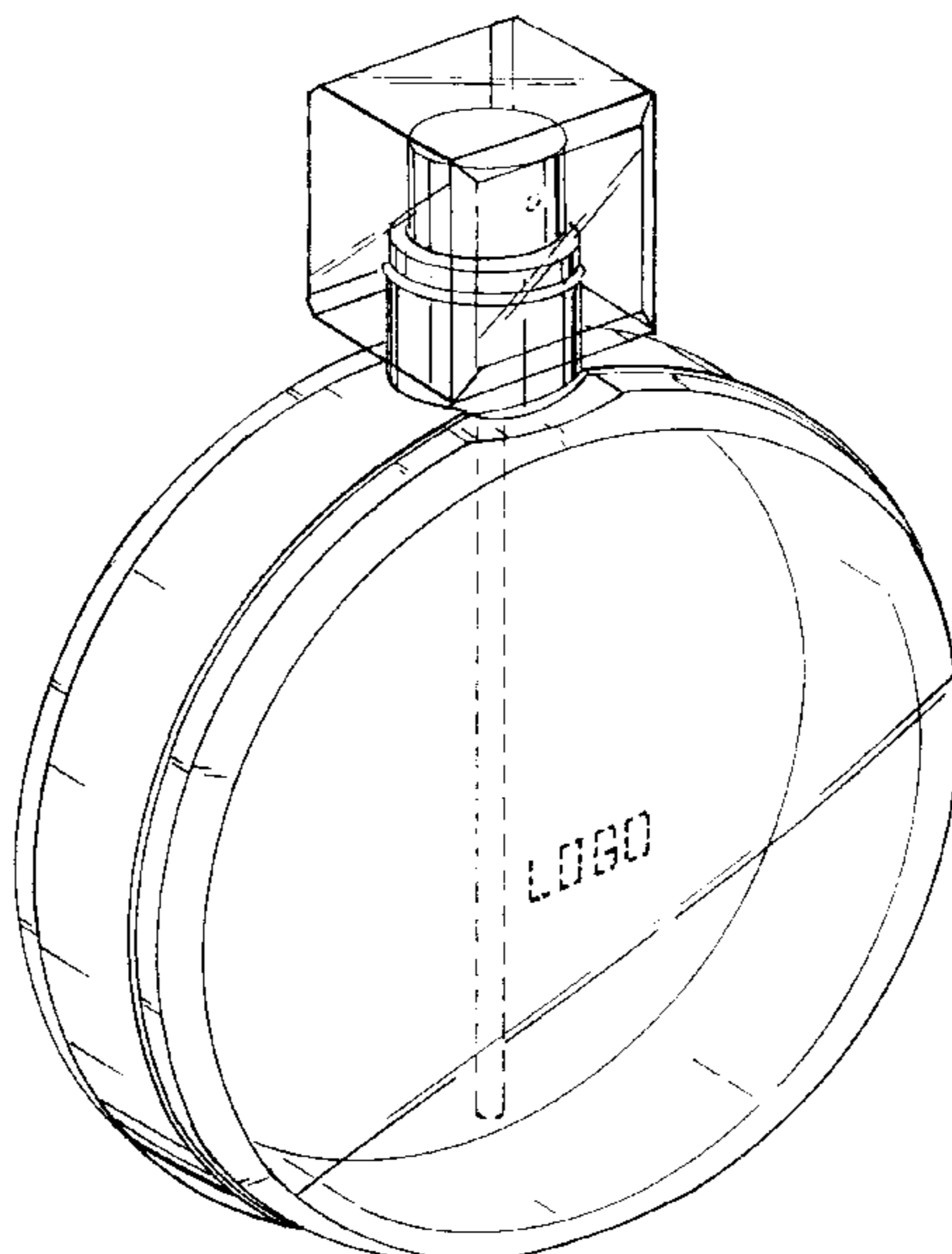
FIG. 11 is a front elevational view of the fragrance dispenser without the cap; and,

FIG. 12 is a rear elevational view of the fragrance dispenser without the cap.

The design is characterized by a thin opaque strap which passes around substantially the entire circumference of a transparent cylindrical bottle. The cylindrical neck at the top of the bottle is also opaque.

The broken line showing of the words "Logo" in FIGS. 1,5,6,7,11,12 is for illustrative purposes only and forms no part of the claimed design.

1 Claim, 4 Drawing Sheets



US D471,086 S

Page 2

U.S. PATENT DOCUMENTS

D105,003 S	6/1937	Fisher	D302,792 S	8/1989	Dinand
D105,379 S	7/1937	Guerlain	D304,688 S	11/1989	Miyakawa
D111,169 S	9/1938	Bicks	D309,717 S	8/1990	Azman
D118,316 S	12/1939	Wile	D315,501 S	3/1991	Durand
D119,304 S	3/1940	Higgins	D316,814 S	5/1991	Duffy et al.
D122,900 S	10/1940	Markus	D322,566 S	12/1991	Durand
D125,638 S	3/1941	Kihn	D328,029 S	7/1992	Grip
D127,478 S	5/1941	Brown	D329,326 S	9/1992	Sheehy et al.
D129,515 S	9/1941	Payne	D329,805 S	9/1992	Normand
D131,668 S	3/1942	Glueck	D332,913 S	2/1993	Carroll
D143,656 S	1/1946	Graham	D345,500 S	3/1994	Wacker
D158,336 S	* 4/1950	Sinderman D28/91.1	D345,914 S	4/1994	Fareri et al.
D158,365 S	5/1950	Fantel	D345,915 S	4/1994	Fareri et al.
D172,232 S	5/1954	Lorenzen	D347,176 S	5/1994	Braun
D214,876 S	8/1969	Bright	D351,346 S	10/1994	Kettmeir
D234,682 S	4/1975	Quintal	D355,852 S	2/1995	Wicki
D260,485 S	9/1981	Ortal	D363,128 S	10/1995	Reinke
D263,564 S	3/1982	Smith	D367,004 S	2/1996	Herbst et al.
D276,699 S	12/1984	Mansau	D375,686 S	11/1996	Gray
D276,792 S	12/1984	Mansau	D378,354 S	3/1997	Varlet
D277,730 S	2/1985	Mansau	D390,118 S	2/1998	Hanna
D278,209 S	4/1985	Dinand	D395,604 S	6/1998	Lecoule
D278,411 S	4/1985	Reitzel et al.	D398,243 S	9/1998	Dinand
D280,386 S	9/1985	Dinand	D399,732 S	10/1998	Roberts
D281,666 S	12/1985	Fay, Sr. et al.	D407,320 S	3/1999	Costen et al.
D284,352 S	6/1986	Thompson	D408,623 S	4/1999	Shaanan et al.
D284,739 S	7/1986	Thieffry	D412,667 S	8/1999	Nosella
D290,231 S	6/1987	Durand	D419,890 S	2/2000	Nosella
D290,687 S	7/1987	Llorente	D428,213 S	7/2000	De Baschmakoff
D293,944 S	1/1988	Trabattoni	D428,340 S	7/2000	Herrmann
D294,403 S	2/1988	Trabattoni	D428,579 S	7/2000	Waitzenegger
D302,386 S	7/1989	Sala	D428,818 S	8/2000	Waitzenegger

* cited by examiner

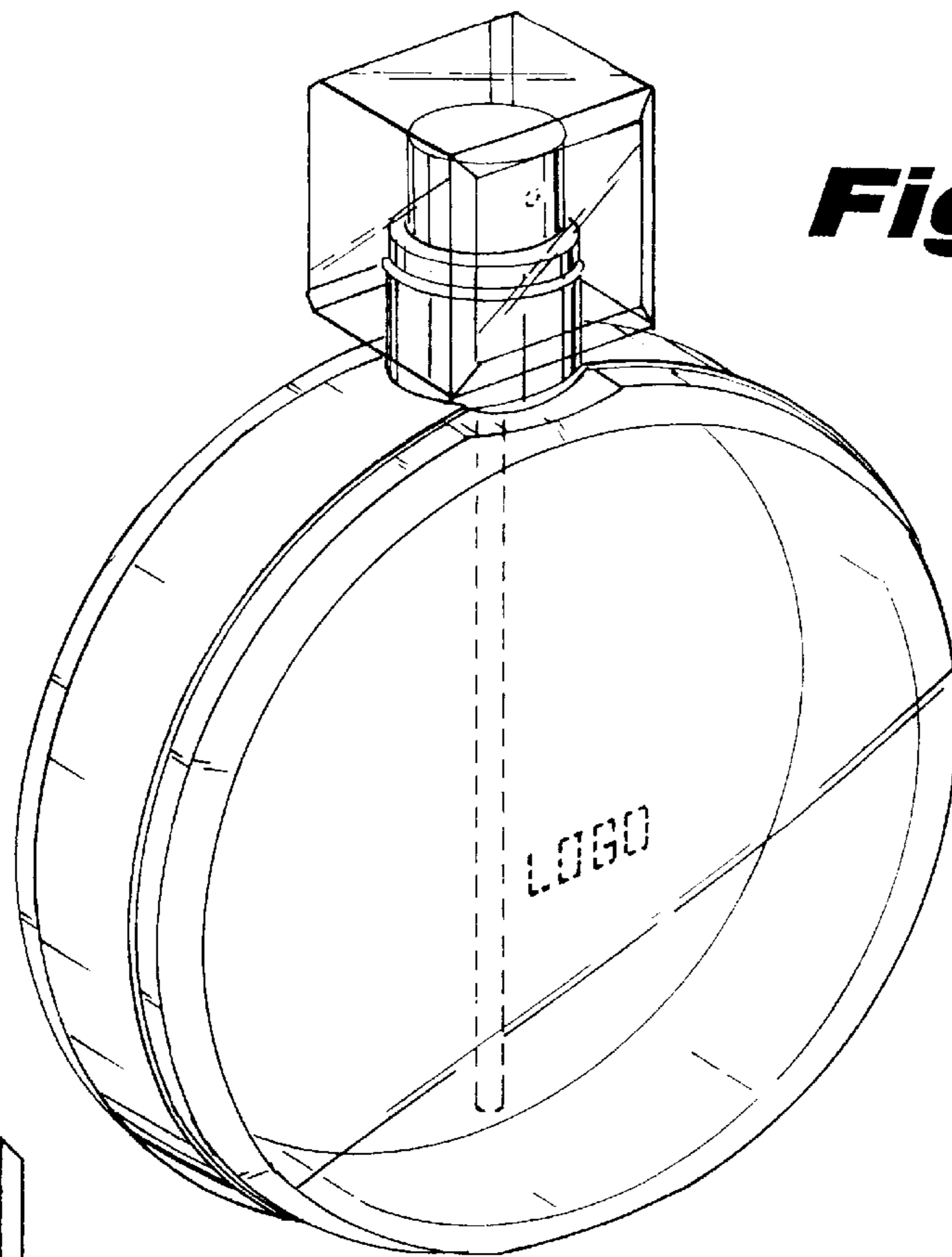


Fig. 1

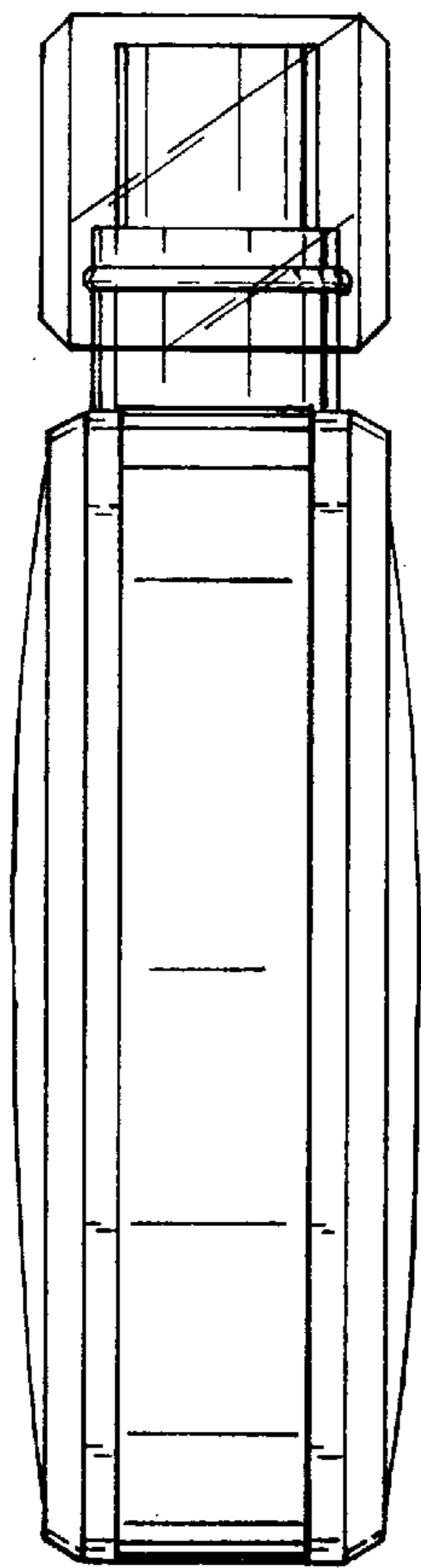


Fig. 2

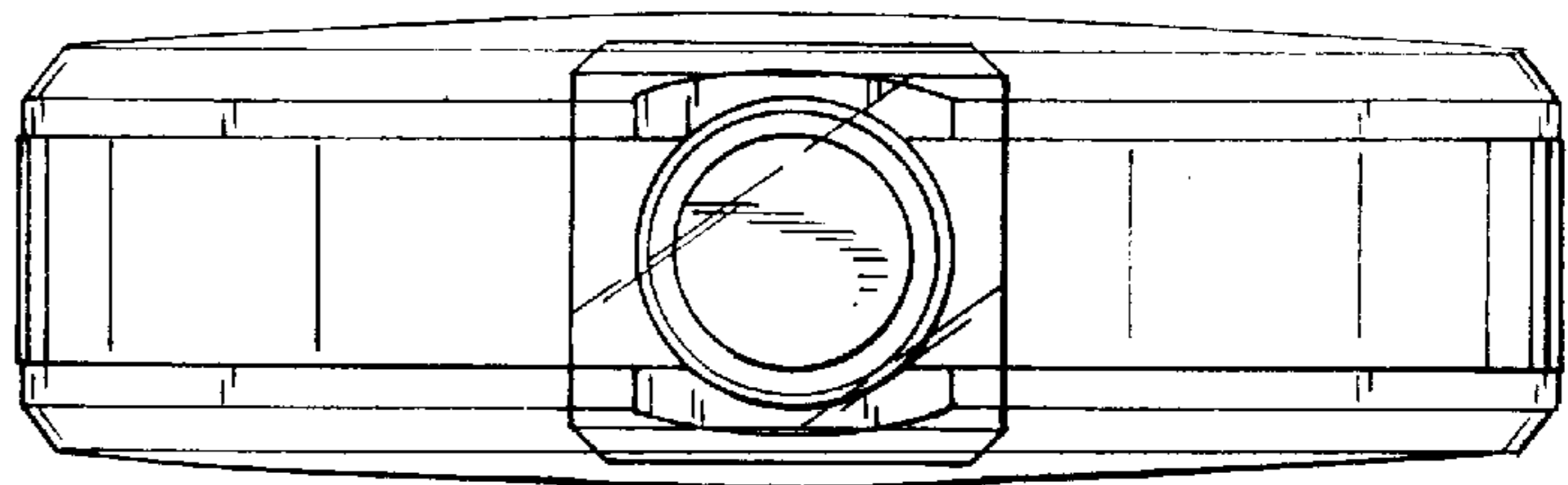


Fig. 3

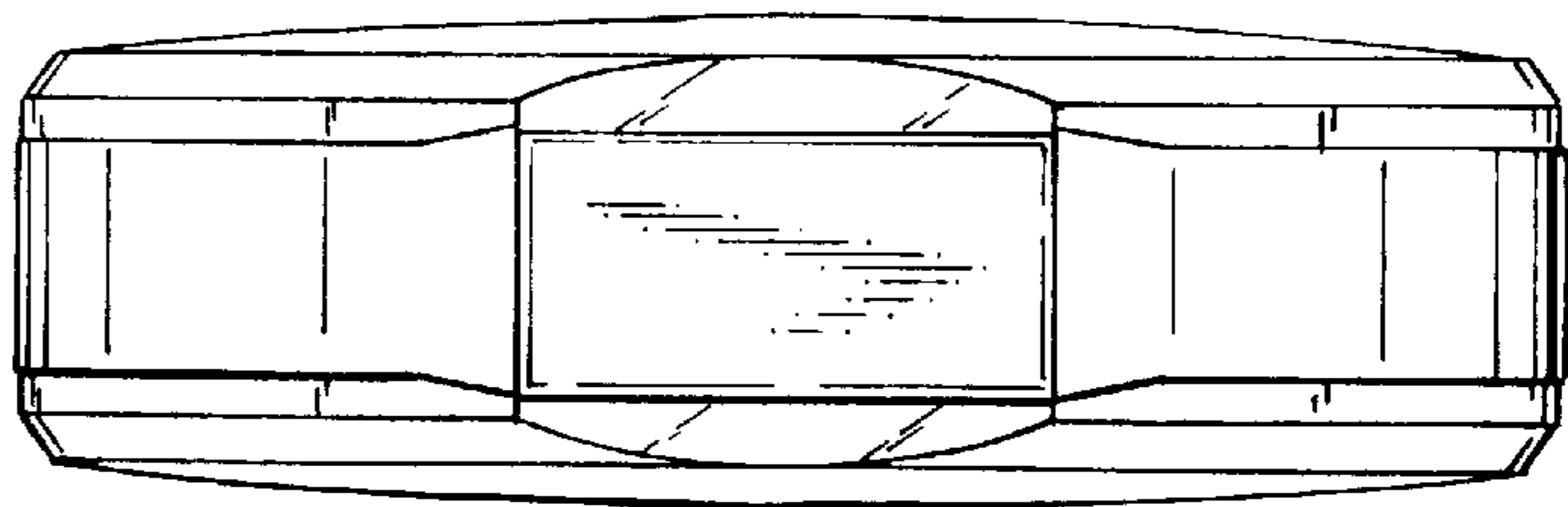


Fig. 4

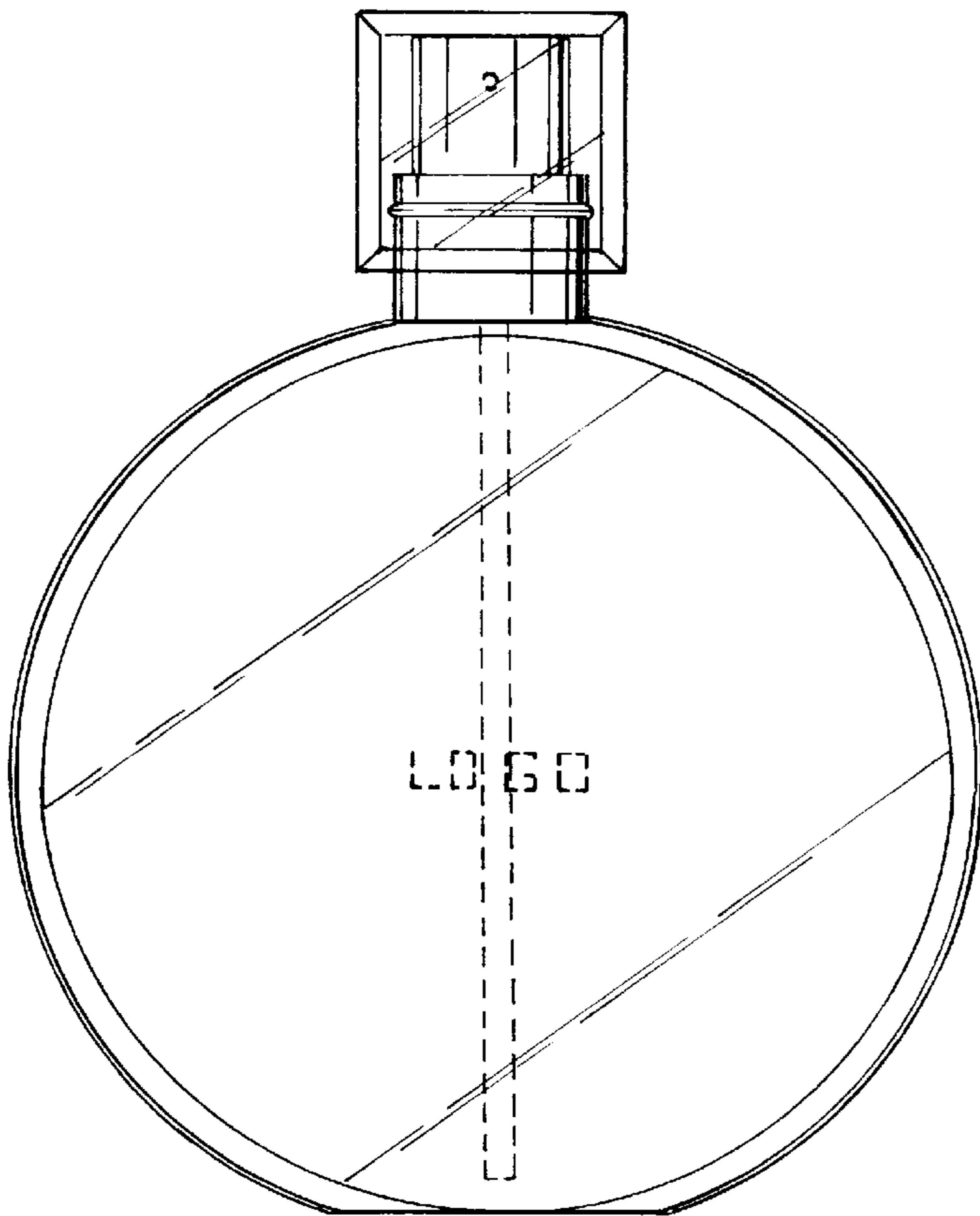


Fig. 5

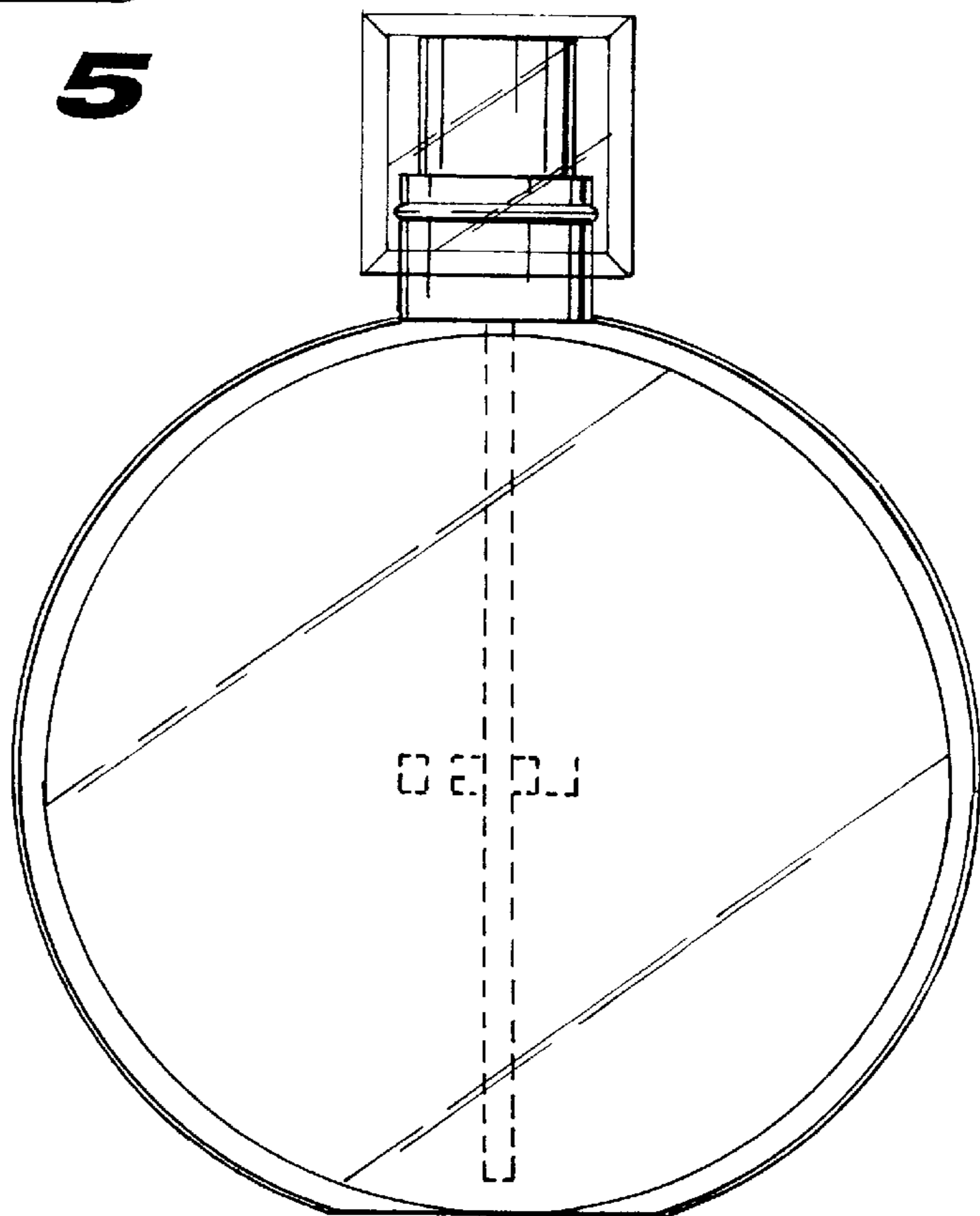


Fig. 6

Fig. 7

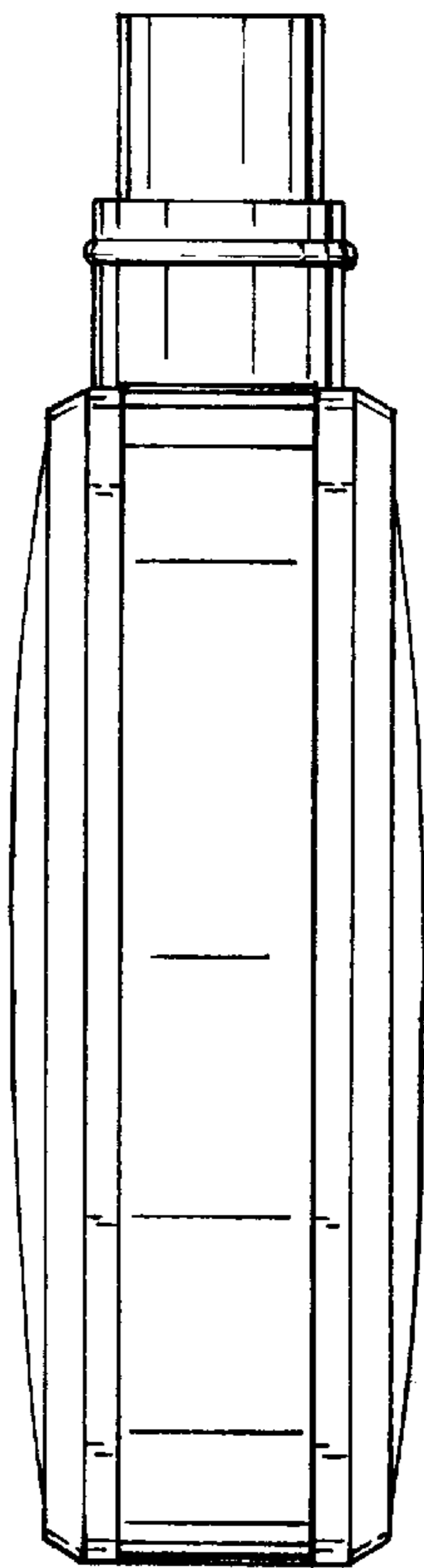
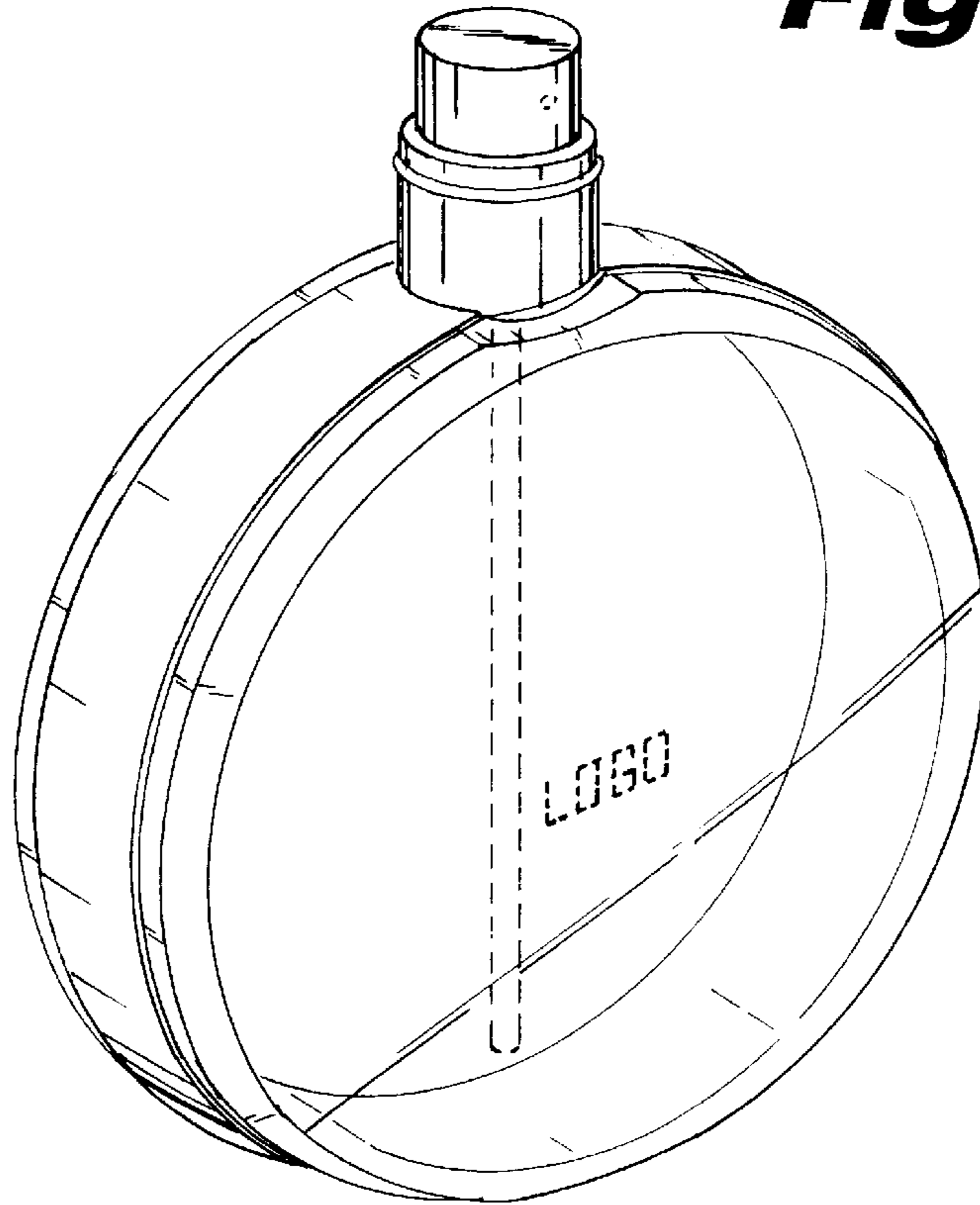


Fig. 8

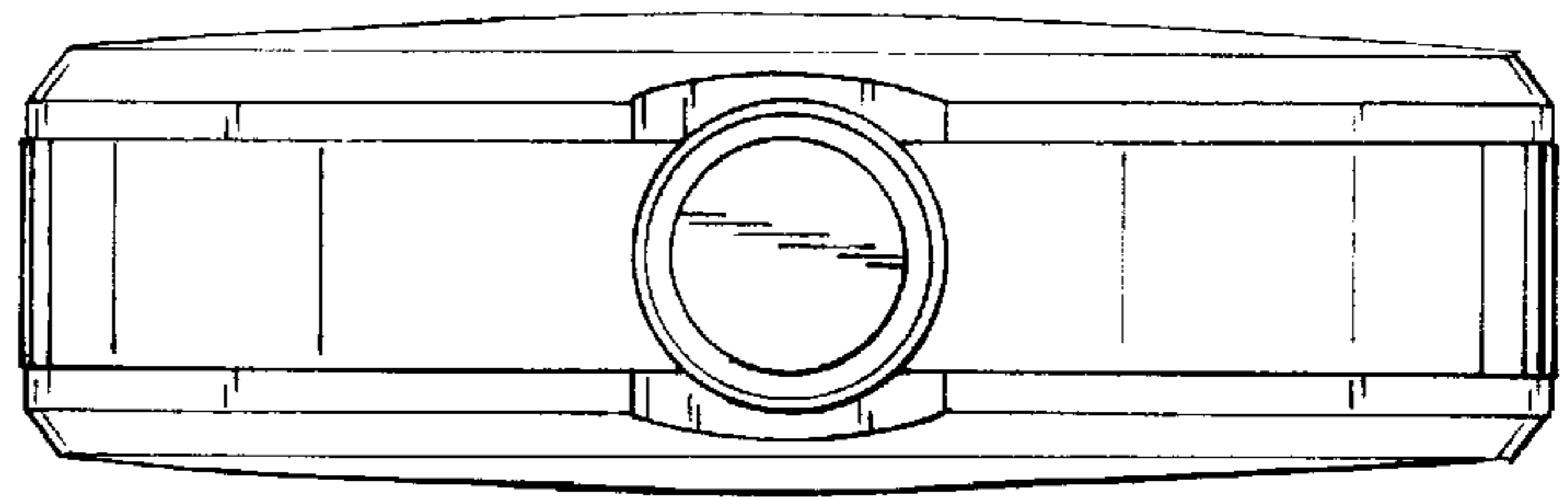


Fig. 9

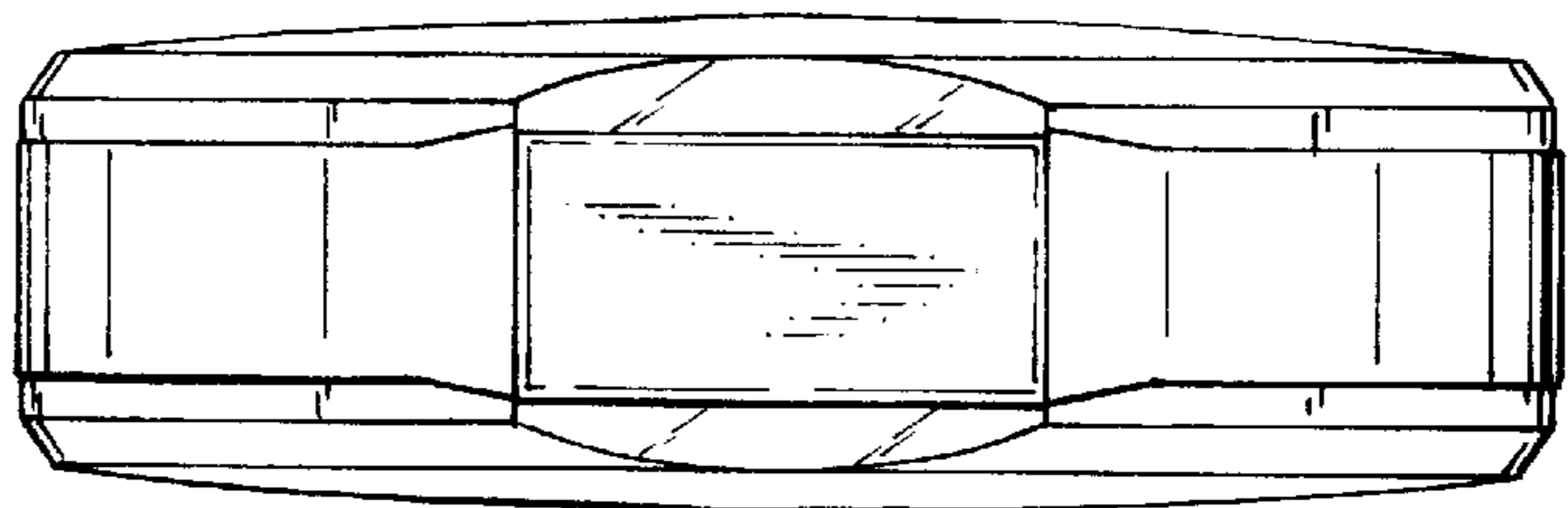


Fig. 10

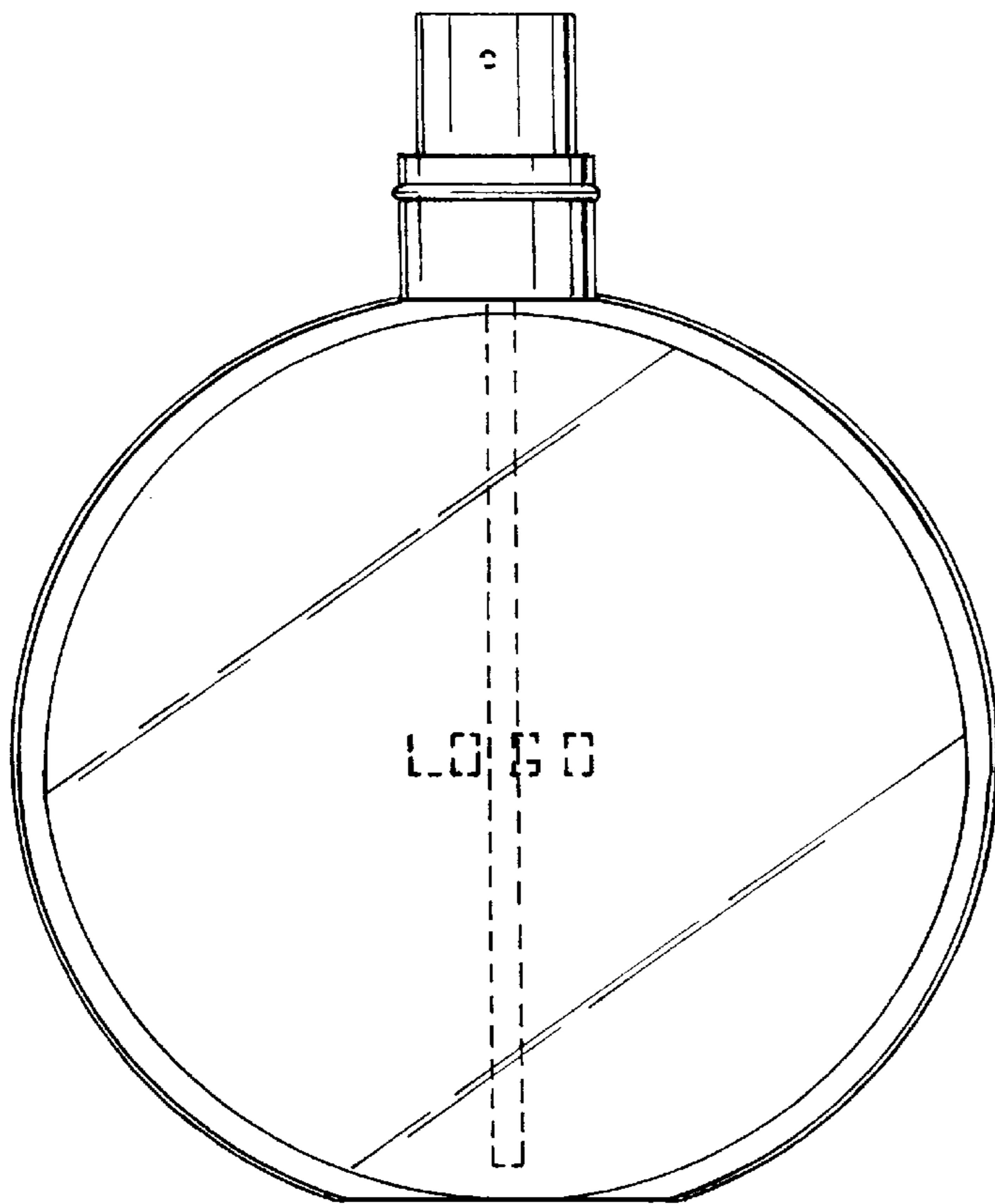


Fig. 11

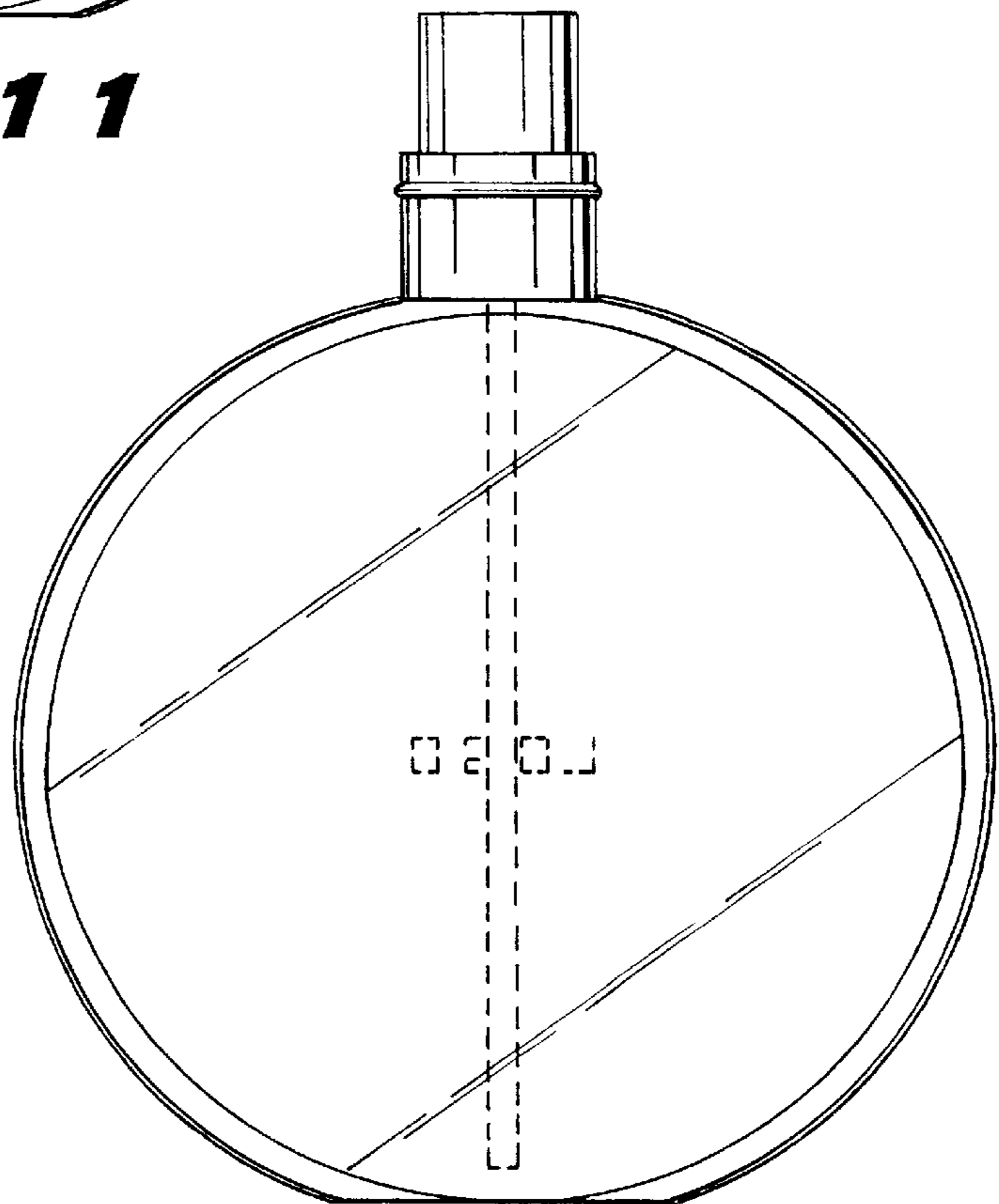


Fig. 12