



US00D471082S

(12) **United States Design Patent**  
**Scola**

(10) **Patent No.:** **US D471,082 S**

(45) **Date of Patent:** **\*\* Mar. 4, 2003**

(54) **TRASH BAG SUPPORT**

D422,891 S \* 4/2000 Ohlman, II ..... D8/373

(76) Inventor: **Vito A. Scola**, 137 Apple Gate Rd.,  
Cranston, RI (US) 02920

\* cited by examiner

(\*\*) Term: **14 Years**

*Primary Examiner*—Pamela Burgess

(74) *Attorney, Agent, or Firm*—Salter & Michaelson

(21) Appl. No.: **29/164,930**

(57) **CLAIM**

(22) Filed: **Jul. 31, 2002**

The ornamental design for a trash bag support, as shown and described.

(51) **LOC (7) Cl.** ..... **08-05**

**DESCRIPTION**

(52) **U.S. Cl.** ..... **D8/373**

(58) **Field of Search** ..... D8/373, 380, 381;  
D6/522, 549; 211/90.1, 88.04, 50, 113,  
16, 75, 71.01, 72; 248/95, 100–101, 150,  
99, 309.2, 905

FIG. 1 is a perspective view of a trash bag support showing my new design;

FIG. 2 is a perspective view of the trash bag support per se;

FIG. 3 is a left side elevational view thereof;

FIG. 4 is a right side elevational view thereof;

FIG. 5 is a top plan view thereof;

FIG. 6 is a bottom plan view thereof;

FIG. 7 is a rear elevational view thereof; and,

FIG. 8 is a front elevational view thereof.

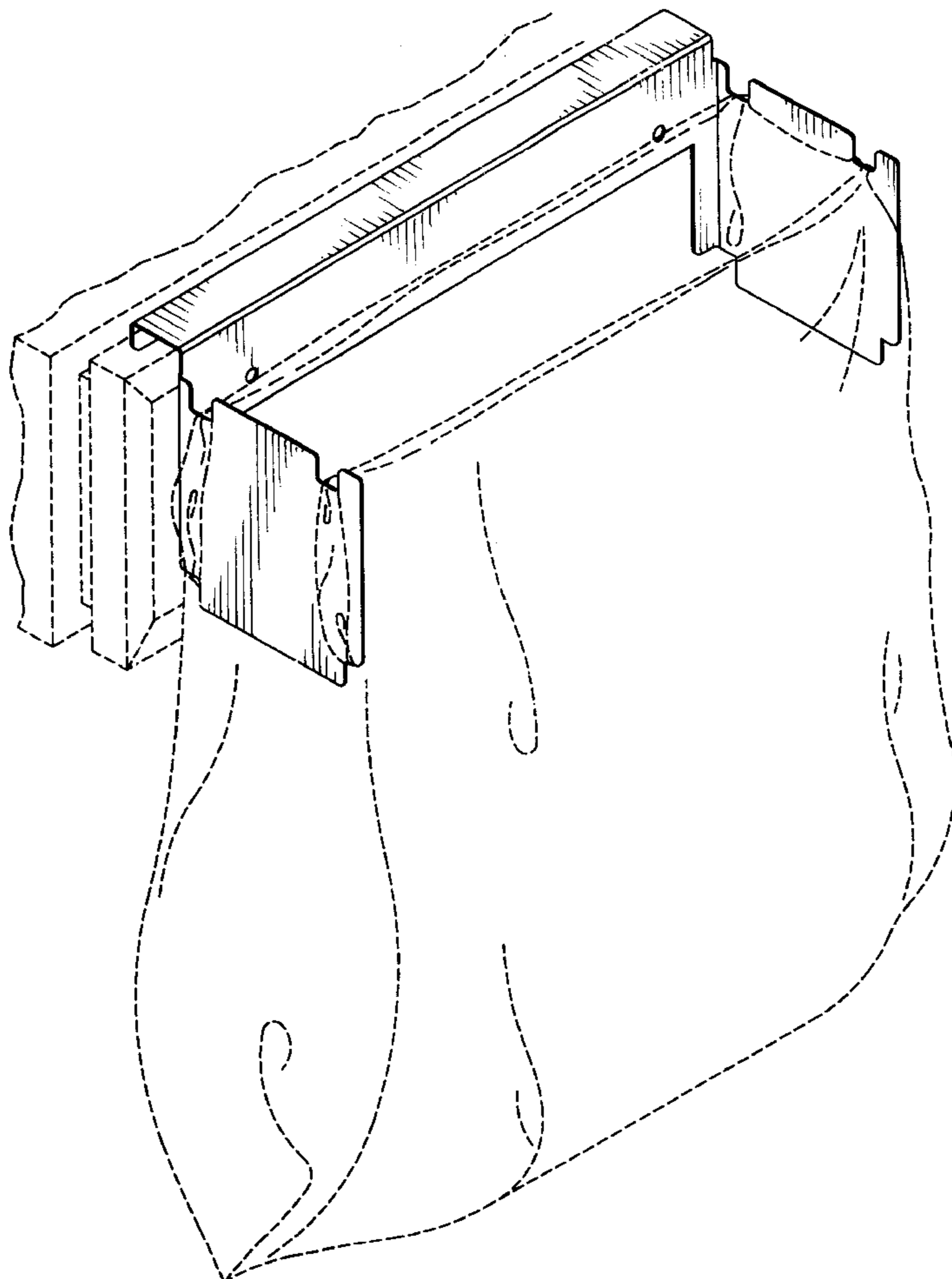
The portions shown in broken lines in FIG. 1 are for information only and form no part of the instant design.

(56) **References Cited**

**U.S. PATENT DOCUMENTS**

- 4,324,337 A \* 4/1982 Hermalanti ..... 211/88.04
- 4,881,706 A \* 11/1989 Sedlik ..... 248/99
- D315,494 S \* 3/1991 Latham ..... D8/373
- 4,997,149 A \* 3/1991 Koch ..... 248/100
- 5,639,051 A \* 6/1997 Surbeck ..... 248/100

**1 Claim, 5 Drawing Sheets**



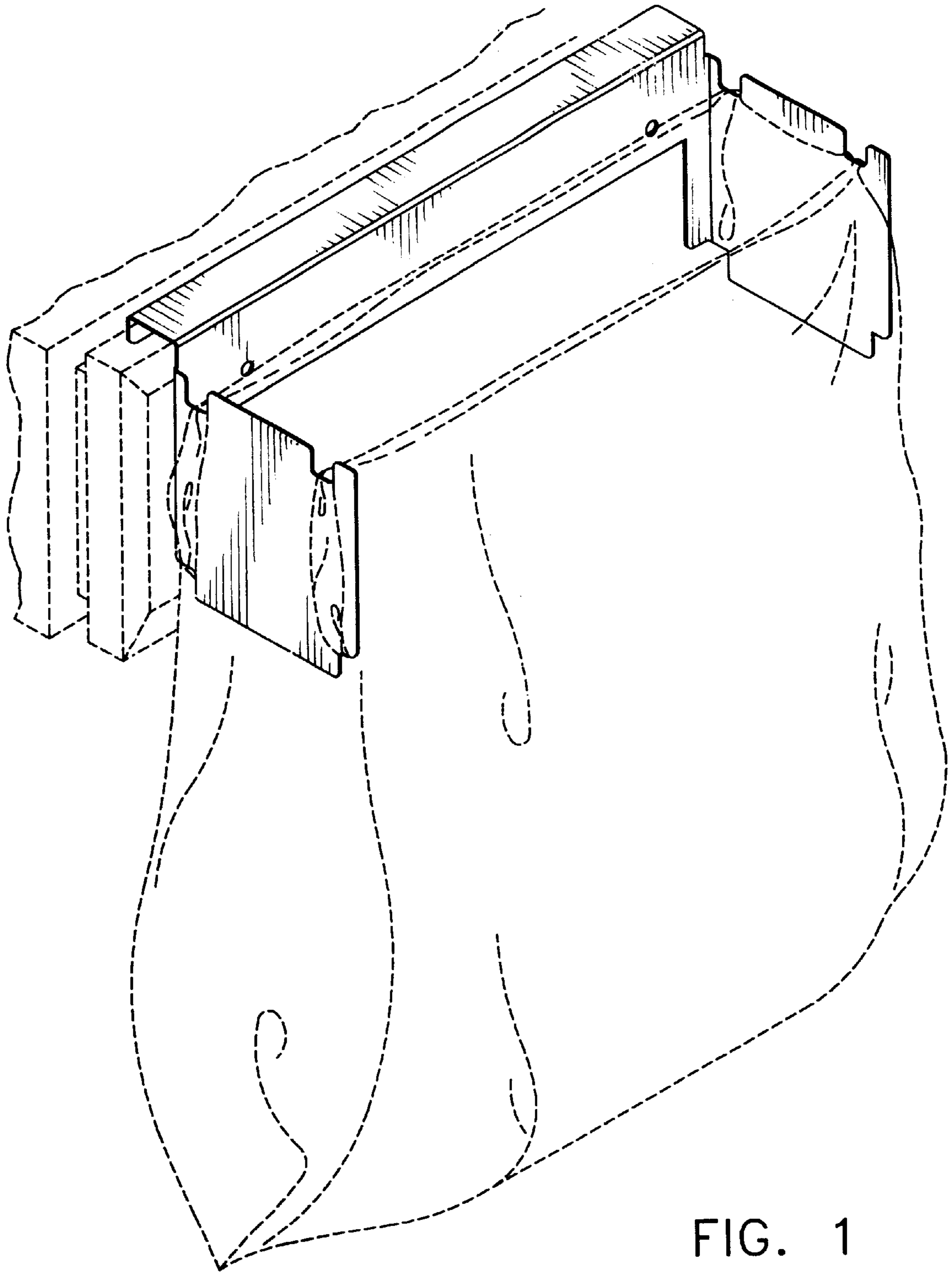


FIG. 1

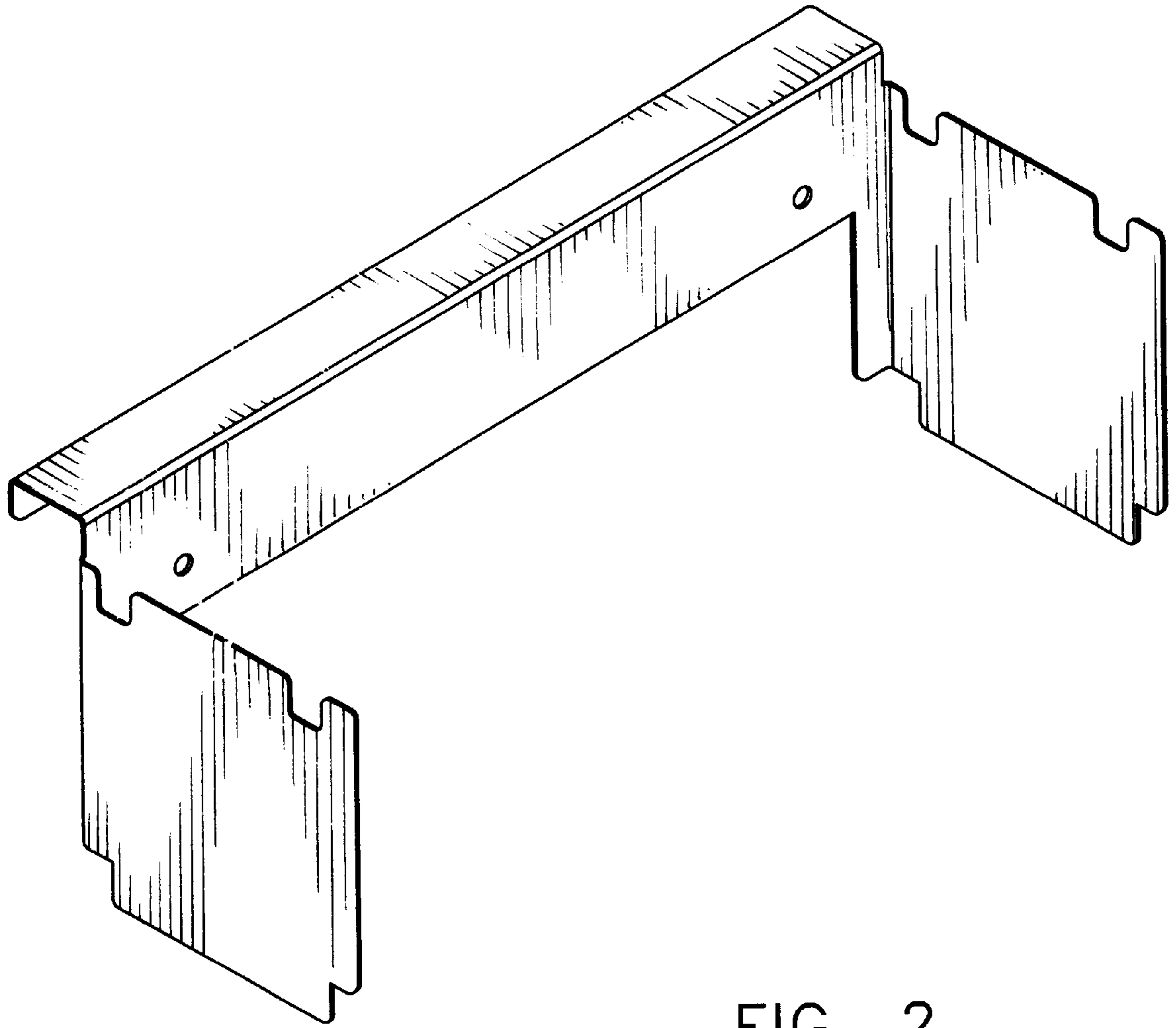


FIG. 2

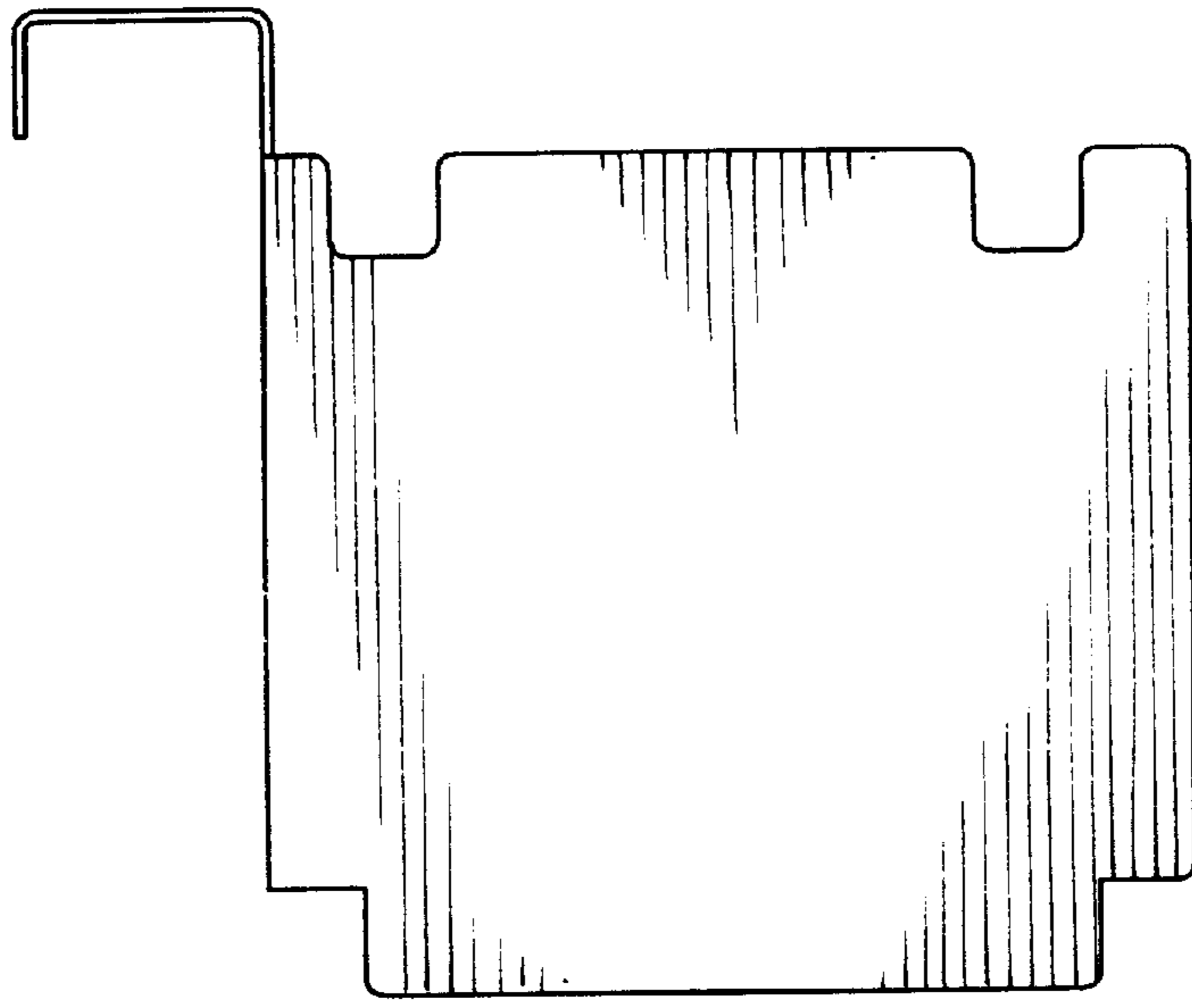


FIG. 3

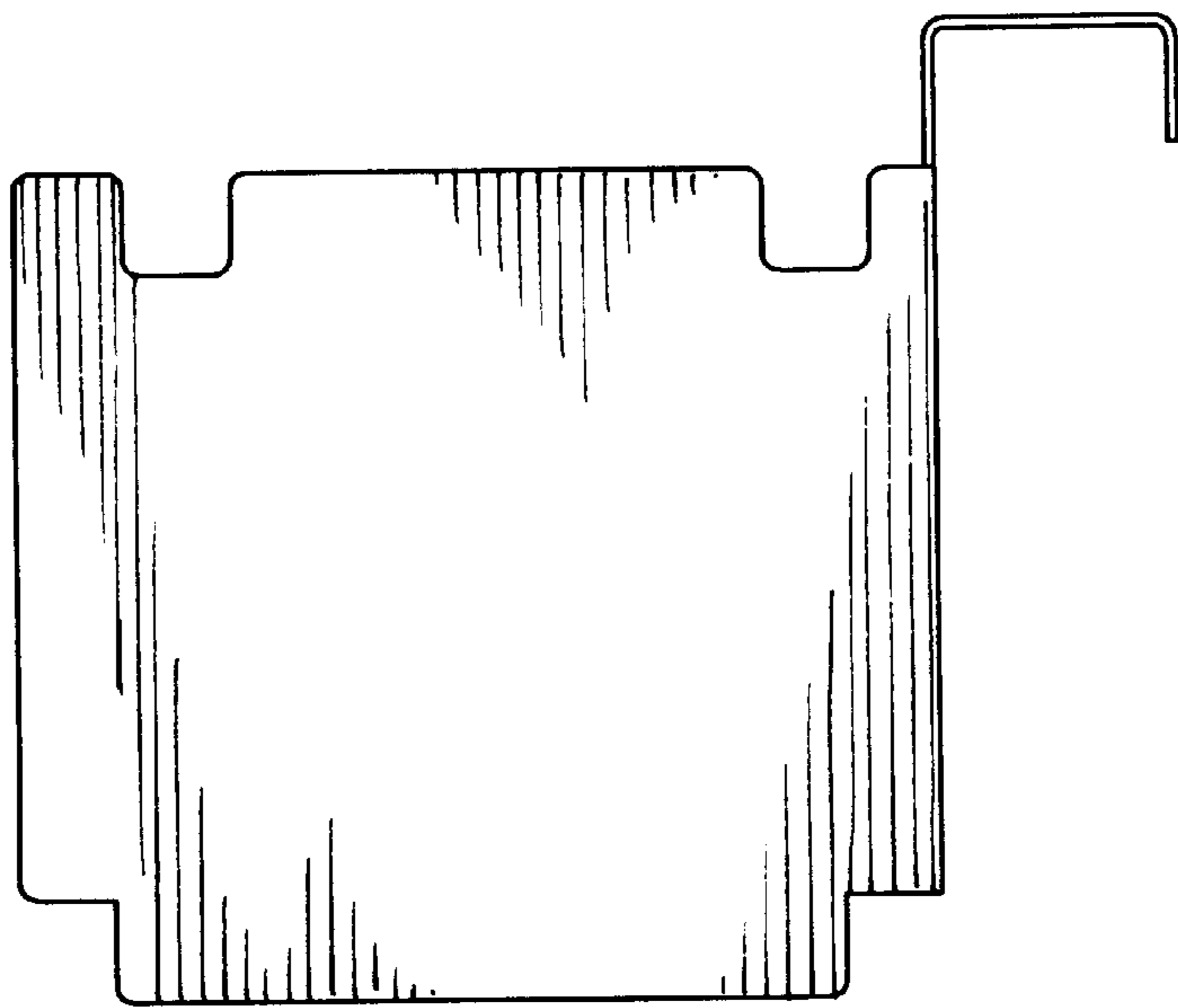


FIG. 4

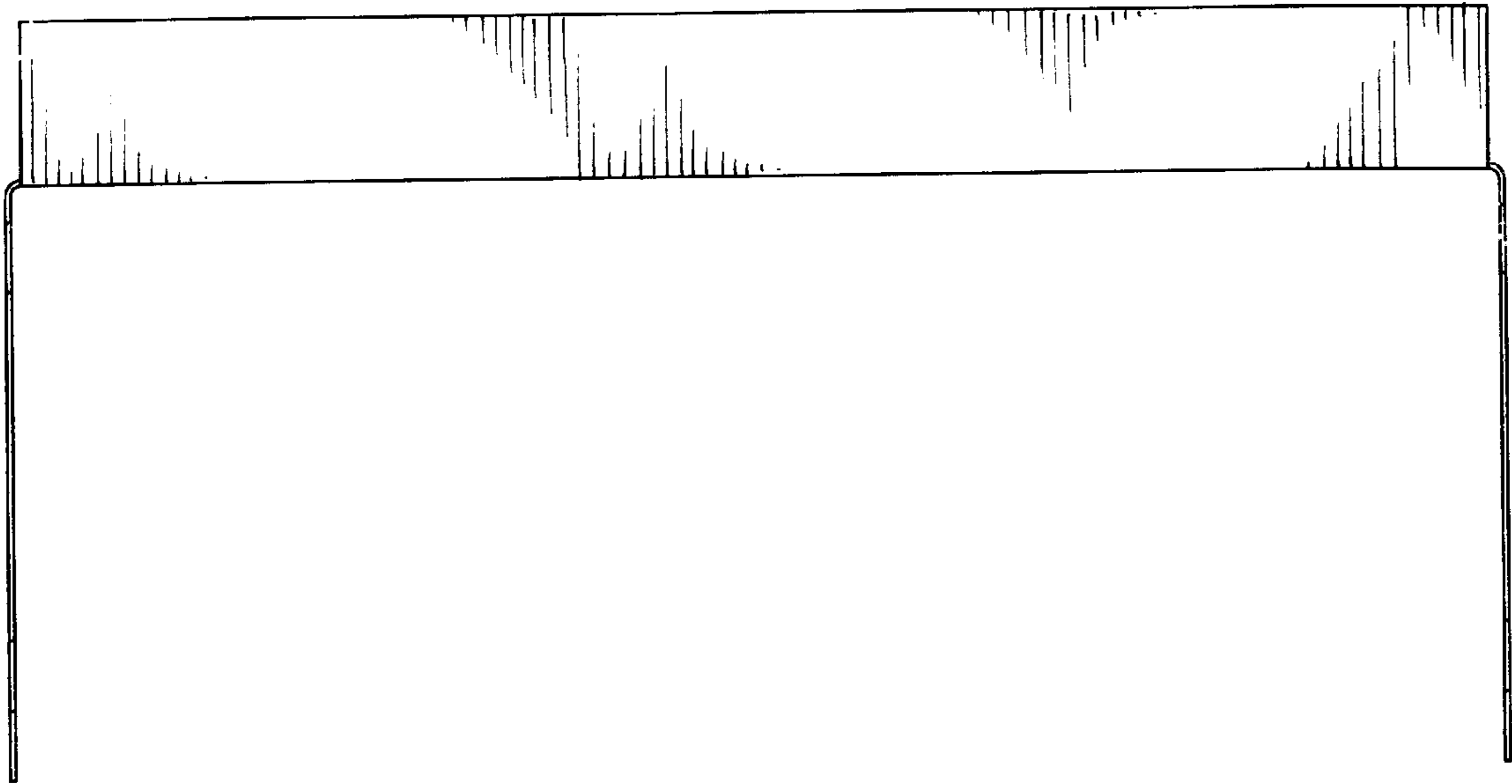


FIG. 5

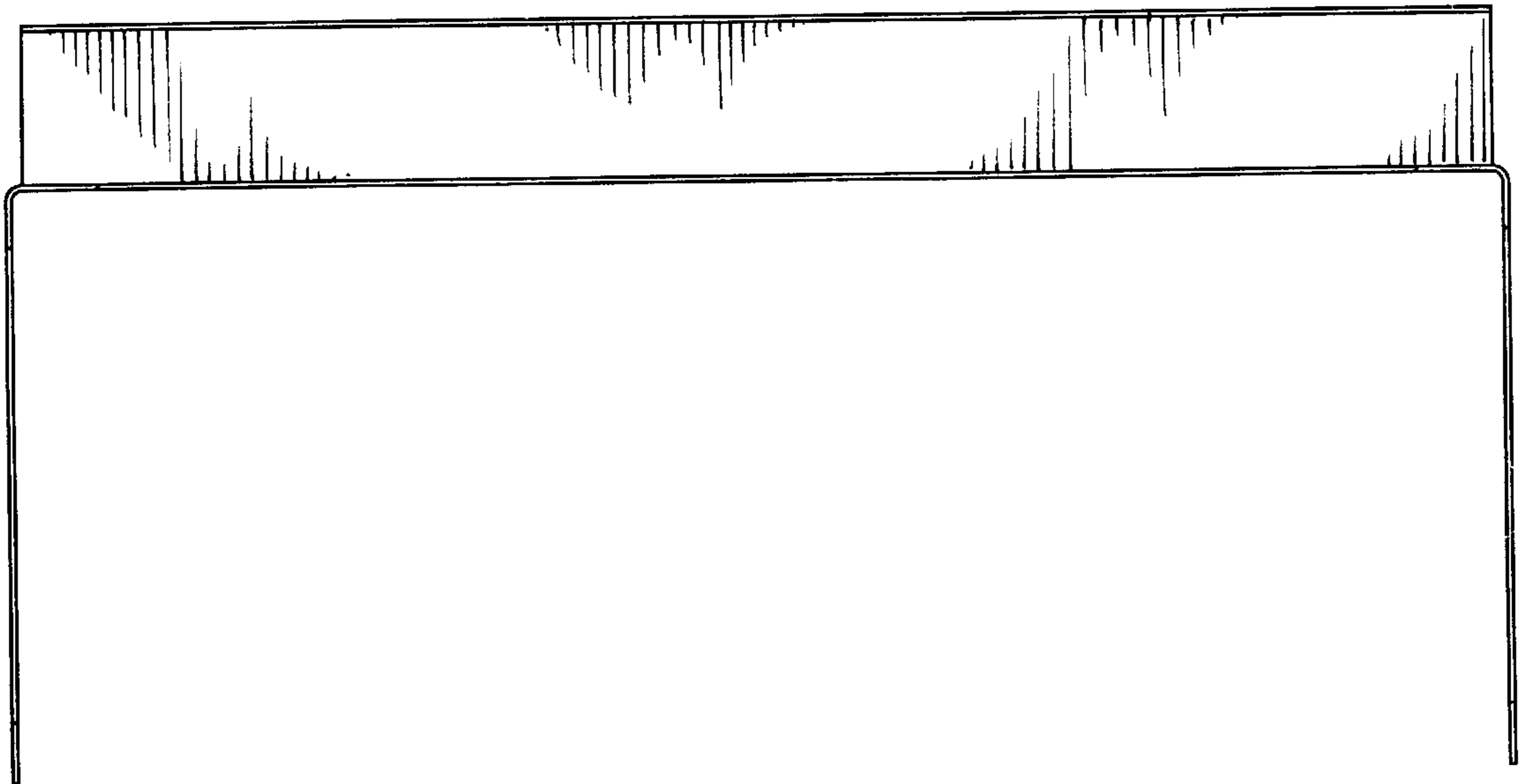


FIG. 6

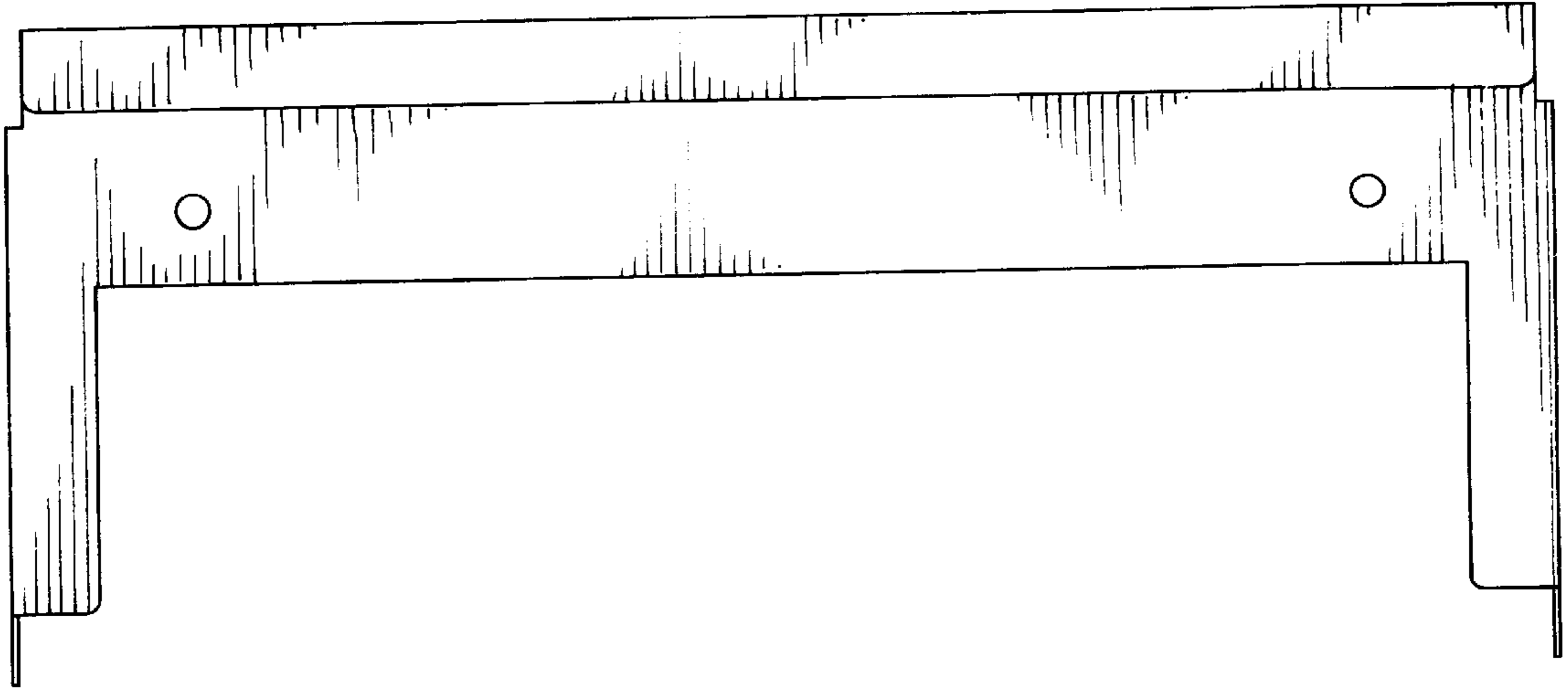


FIG. 7

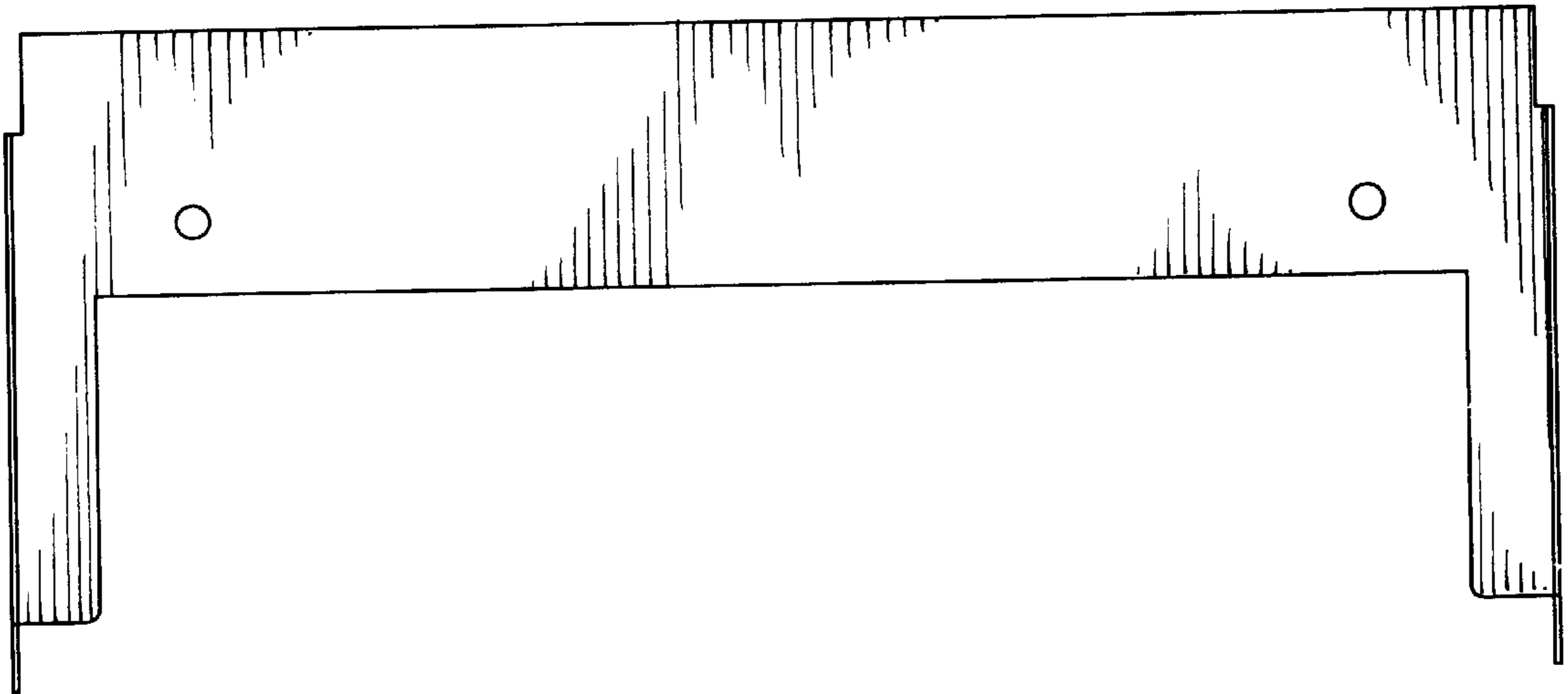


FIG. 8