



US00D471081S

(12) **United States Design Patent**
Wu et al.

(10) **Patent No.:** **US D471,081 S**

(45) **Date of Patent:** **** Mar. 4, 2003**

(54) **OPTICAL FIBER HOLDING DEVICE**

(75) Inventors: **Kun-Tsan Wu, Tu-Chen (TW); Chien Cheng Chen, Tu-Chen (TW)**

(73) Assignee: **Hon Hai Precision Ind. Co., Ltd., Taipei Hsien (TW)**

(**) Term: **14 Years**

(21) Appl. No.: **29/150,563**

(22) Filed: **Nov. 13, 2001**

(30) **Foreign Application Priority Data**

Oct. 5, 2001 (TW) 90306330

(51) **LOC (7) Cl.** **08-05**

(52) **U.S. Cl.** **D8/356**

(58) **Field of Search** D8/349, 354, 356, D8/366, 371; D13/154, 155; 24/563, DIG. 9; 248/27.3, 68.1, 71, 73, 74.2, 200, 220.21, 220.22, 222.11, 300, 316.1, 316.2, 316.7, 500; 361/825; 385/86, 87, 135, 136, 137

(56) **References Cited**

U.S. PATENT DOCUMENTS

1,722,551 A * 7/1929 Zadek 24/710.3

D208,426 S * 8/1967 Lodermeier D8/356
5,005,940 A * 4/1991 Modrey 385/55
5,141,192 A * 8/1992 Adams 248/300
D448,735 S * 10/2001 Clark D13/154

* cited by examiner

Primary Examiner—Doris V. Coles

Assistant Examiner—Elizabeth Albert

(74) *Attorney, Agent, or Firm*—Wei Te Chung

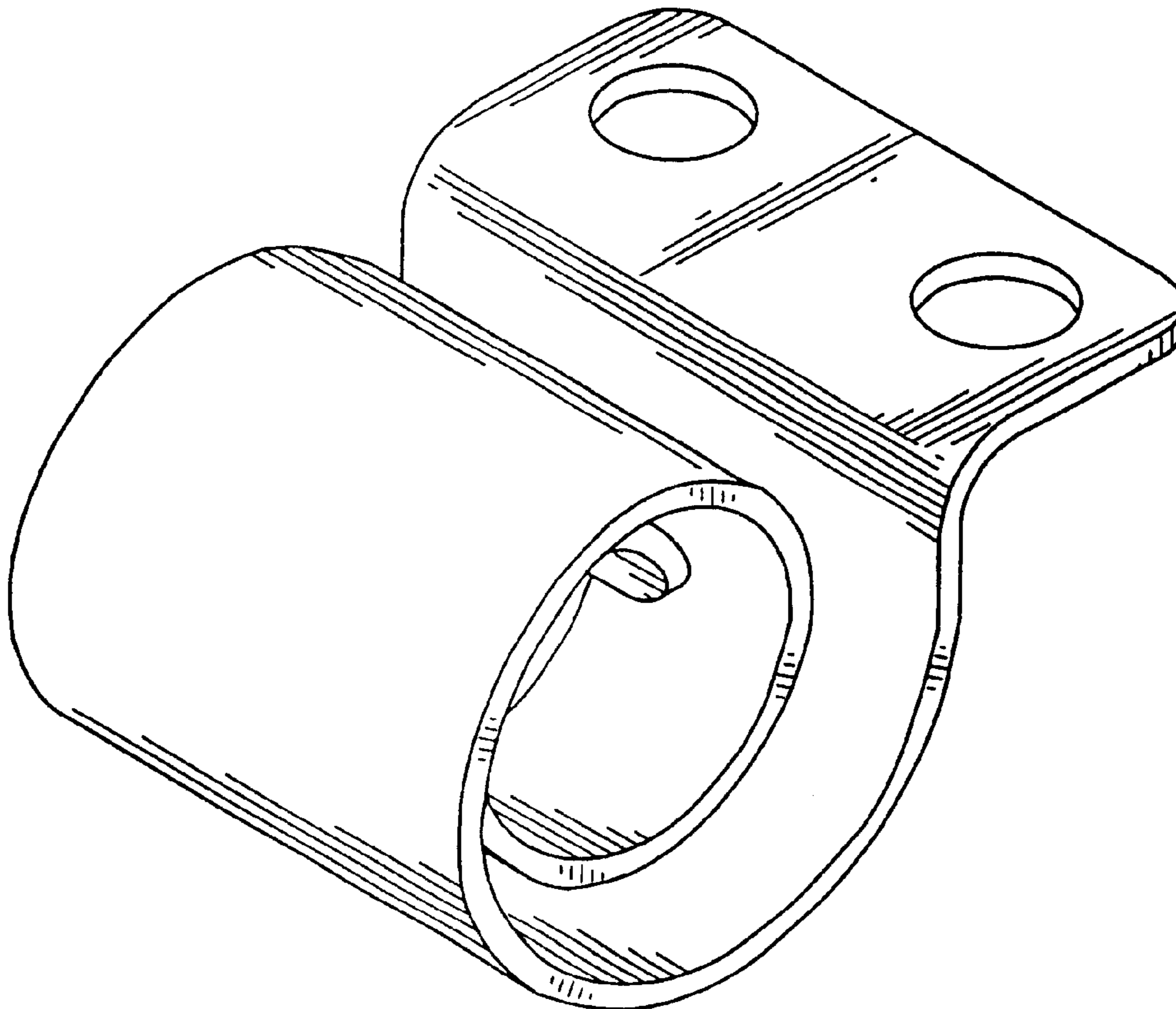
(57) **CLAIM**

The ornamental design for an optical fiber holding device, as shown.

DESCRIPTION

FIG. 1 is a perspective view of an optical fiber holding device showing our new design; FIG. 2 is a front view thereof; FIG. 3 is a rear view thereof; FIG. 4 is a left side elevational view thereof; FIG. 5 is a right side elevational view thereof; FIG. 6 is a top plan view thereof; and, FIG. 7 is a bottom plan view thereof.

1 Claim, 4 Drawing Sheets



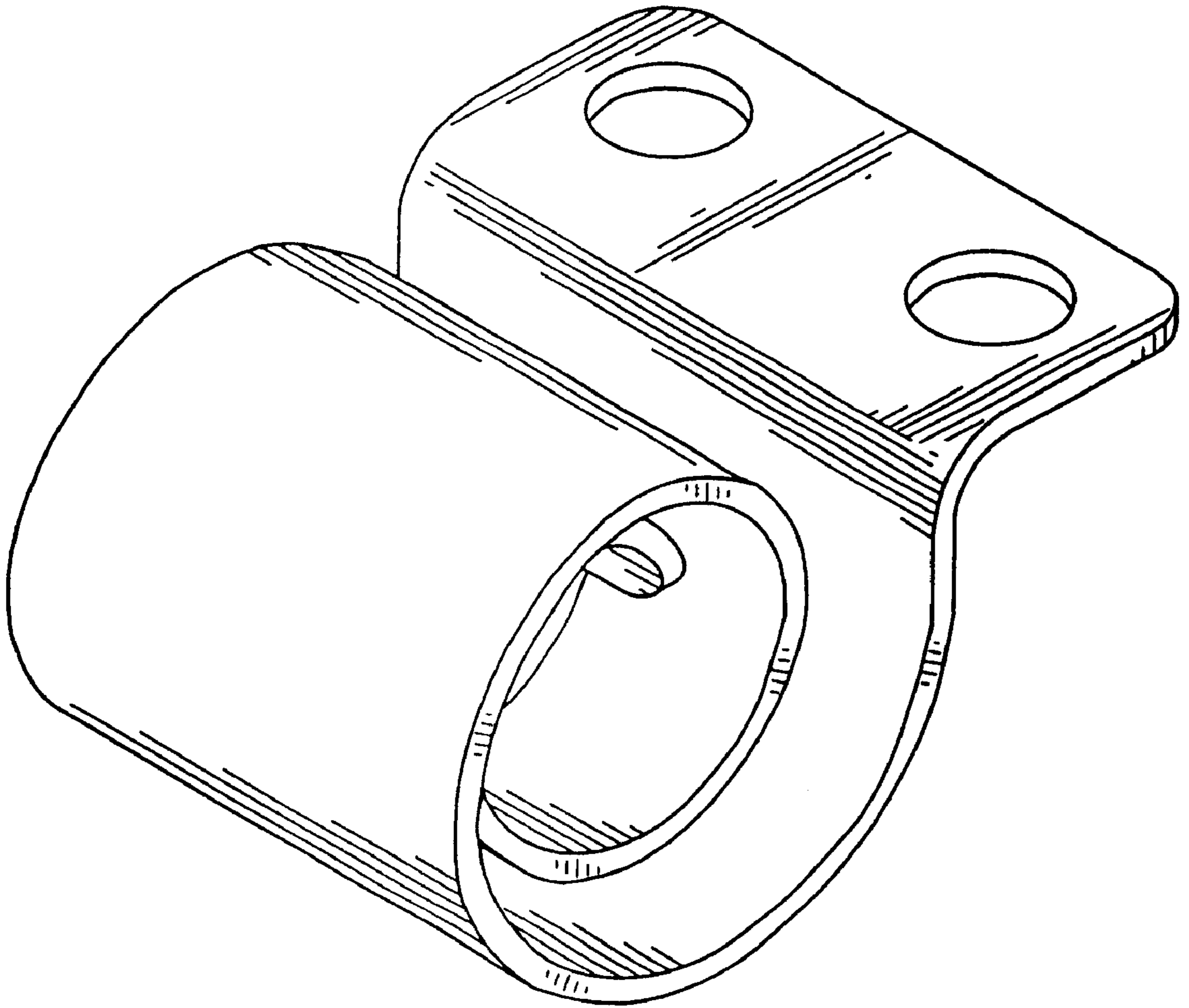


FIG. 1

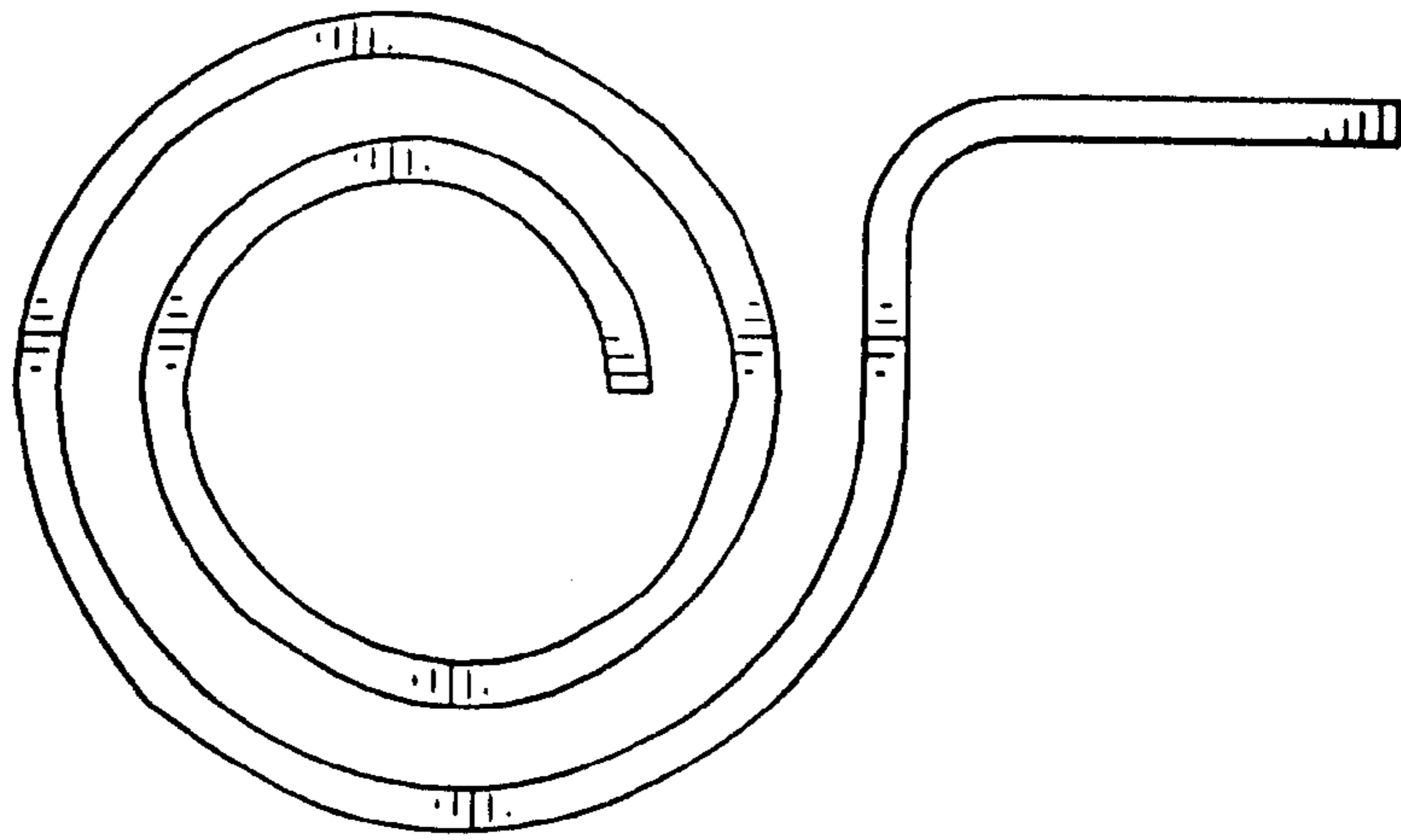


FIG. 2

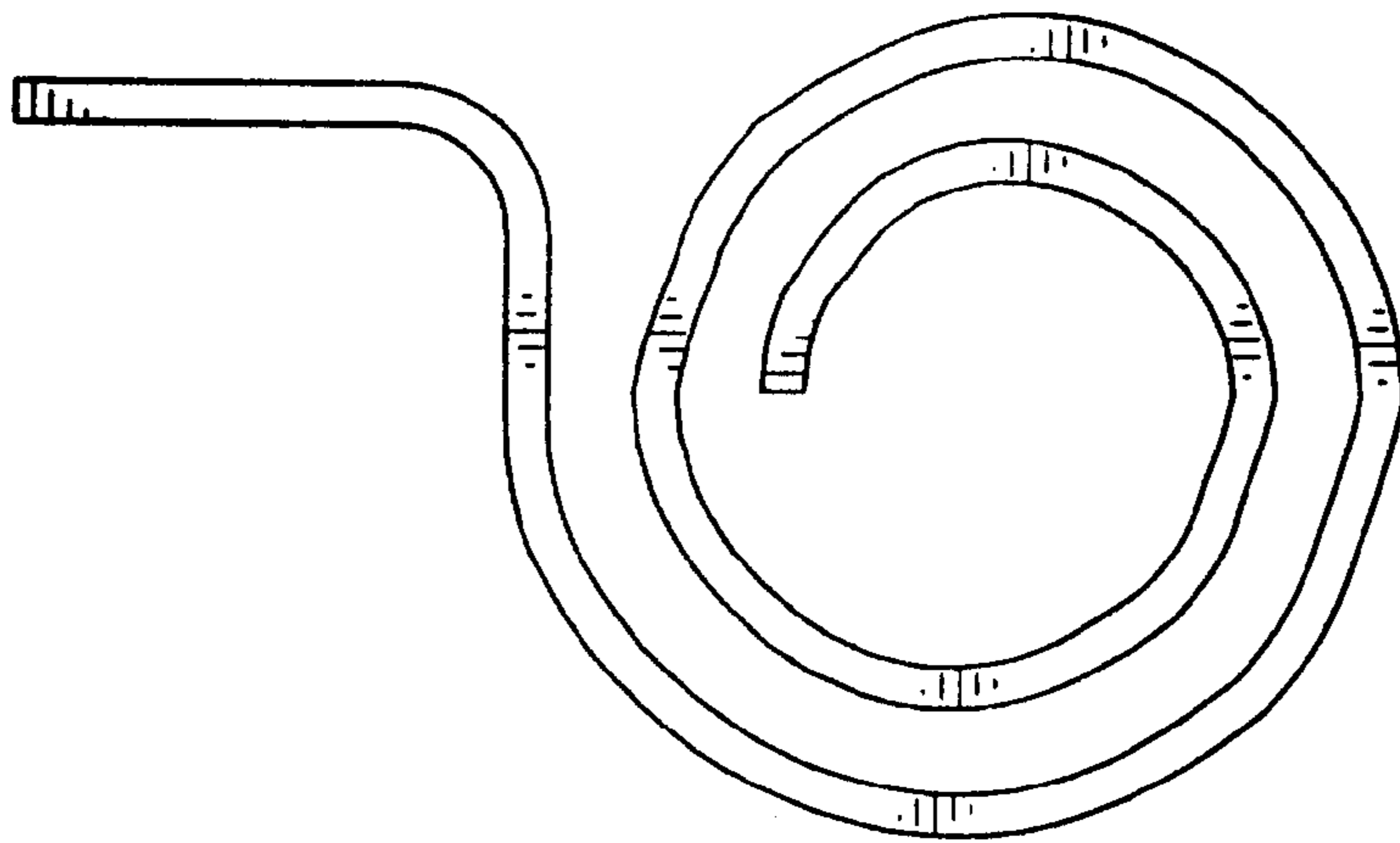


FIG. 3

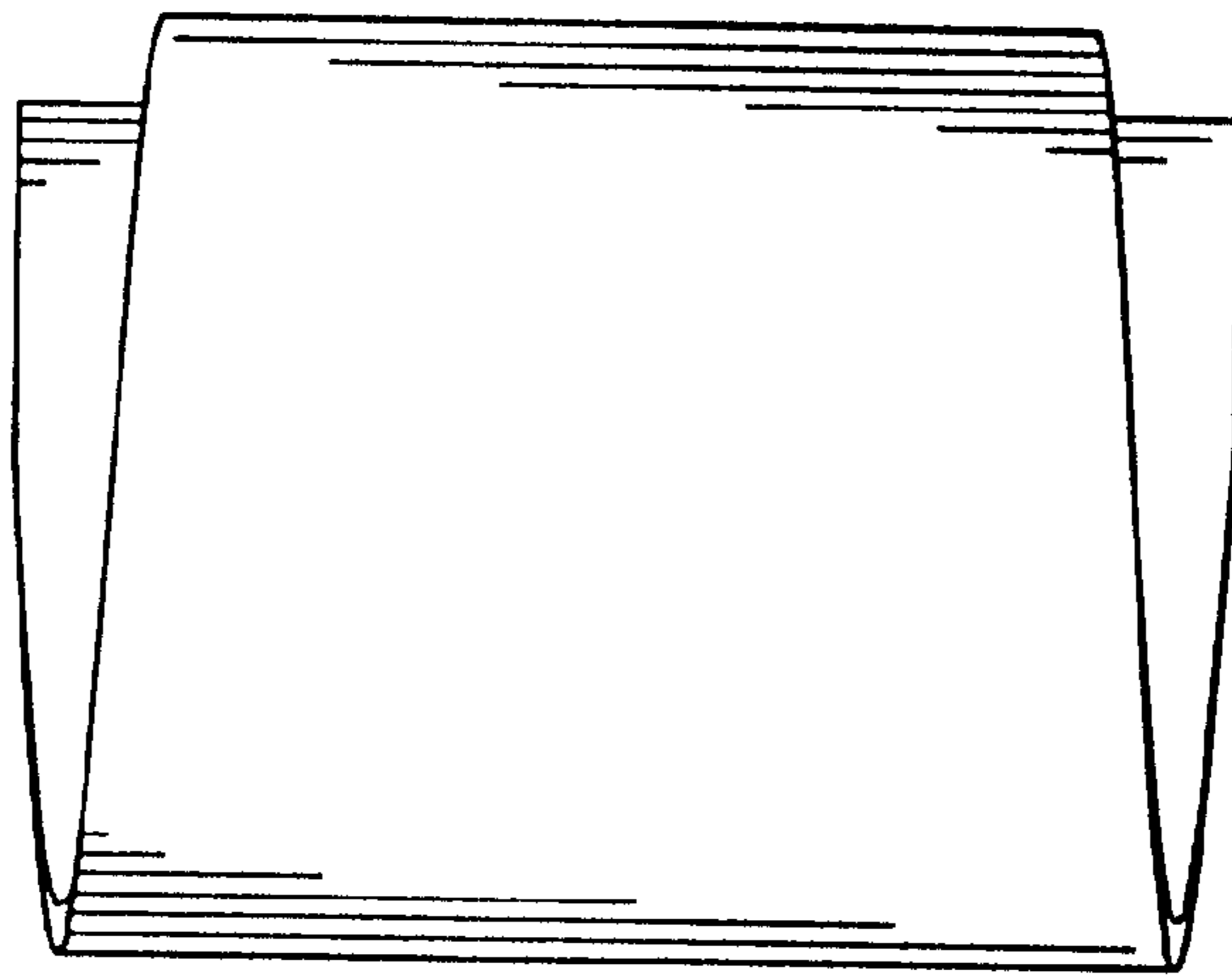


FIG. 4

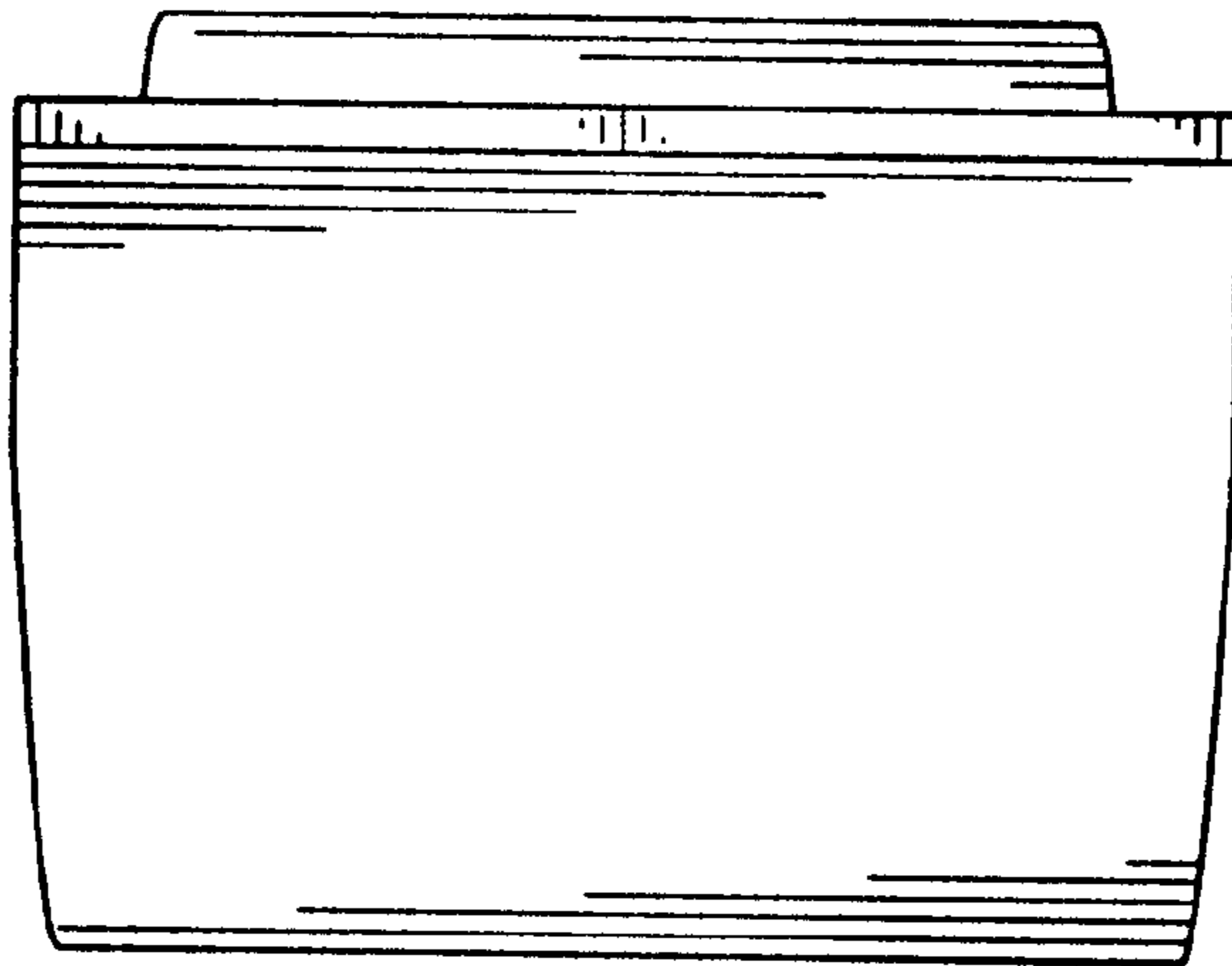


FIG. 5

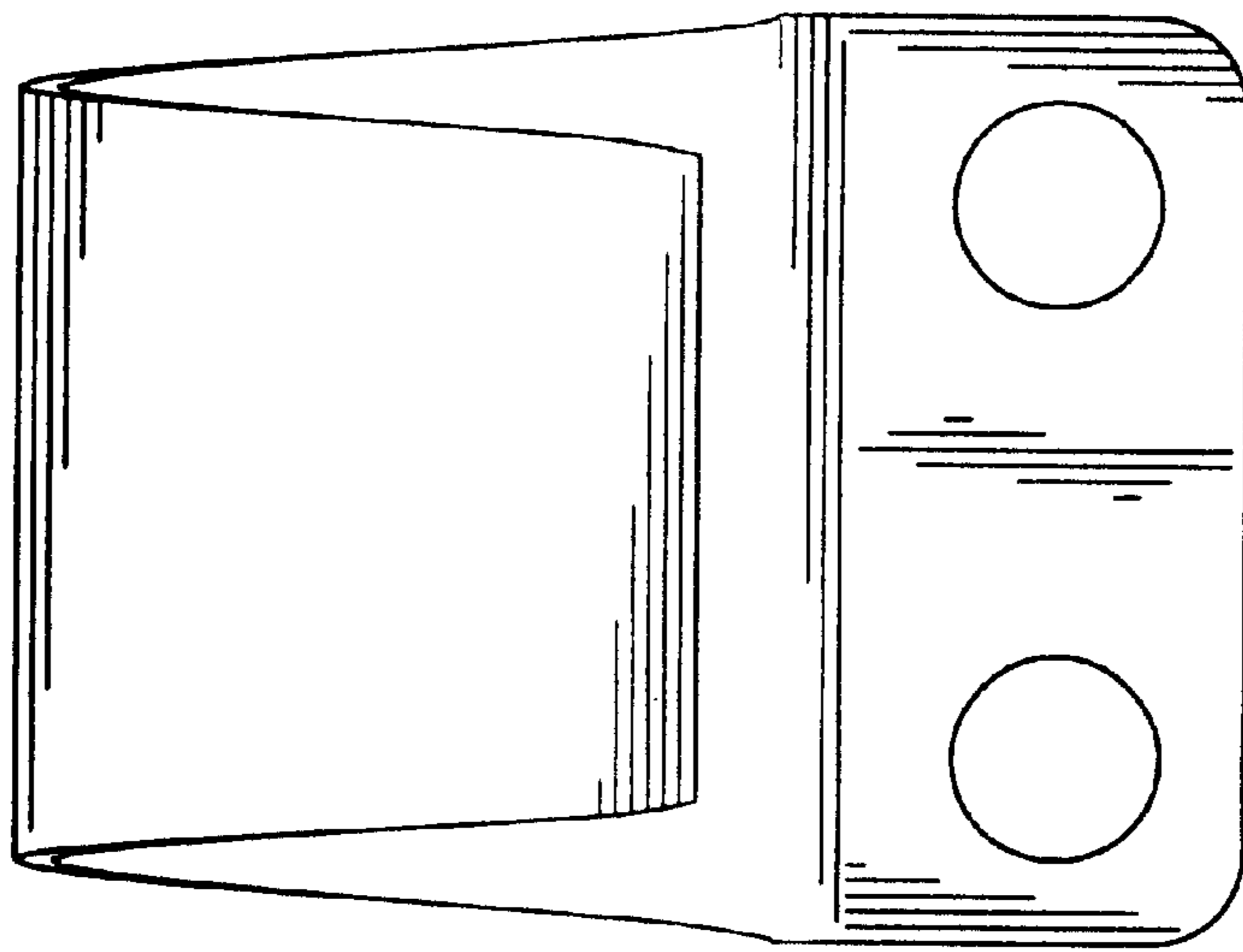


FIG. 6

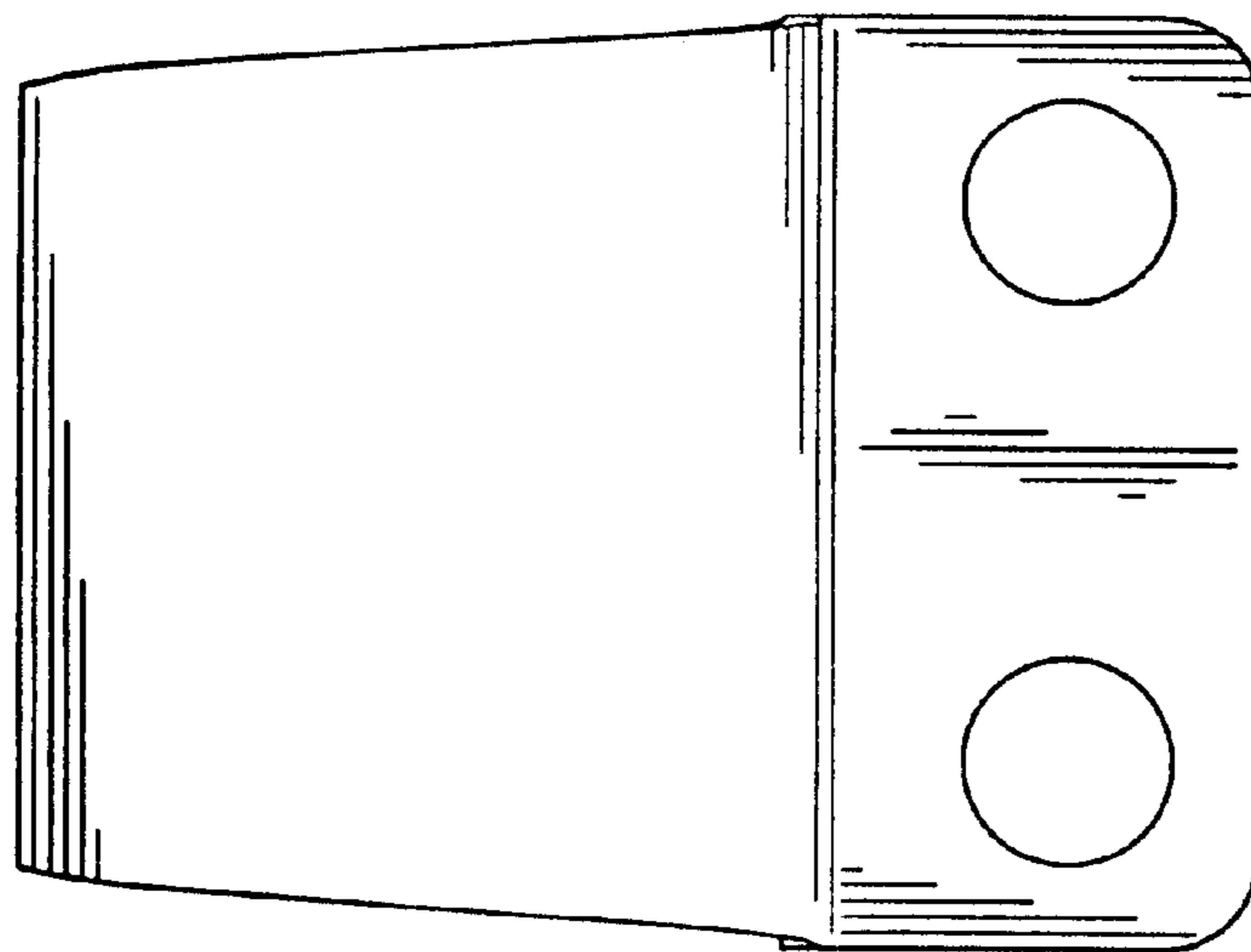


FIG. 7