



US00D471078S

(12) **United States Design Patent**
Chen

(10) **Patent No.:** **US D471,078 S**

(45) **Date of Patent:** **** Mar. 4, 2003**

(54) **SLIP-PROOF BLOCK**

(76) Inventor: **Chang-Hui Chen**, PO Box 82-144,
Taipei (TW)

(**) Term: **14 Years**

(21) Appl. No.: **29/152,761**

(22) Filed: **Jan. 2, 2002**

(51) **LOC (7) Cl.** **08-05**

(52) **U.S. Cl.** **D8/349**

(58) **Field of Search** D15/143; D25/113-116,
D25/118; D8/349, 354; 248/903, 220.21,
220.22, 218.4, 219.3

(56) **References Cited**

U.S. PATENT DOCUMENTS

5,482,237 A * 1/1996 Wang 248/219.3
D417,135 S * 11/1999 McMahon D8/354

* cited by examiner

Primary Examiner—Antoine Duval Davis
(74) *Attorney, Agent, or Firm*—Leong C. Lei

(57) **CLAIM**

The ornamental design for a slip-proof block, as shown and described.

DESCRIPTION

FIG. 1 is perspective view of a slip-proof block showing my new design;

FIG. 2 is a front side elevation view thereof;

FIG. 3 is a rear side elevation view thereof;

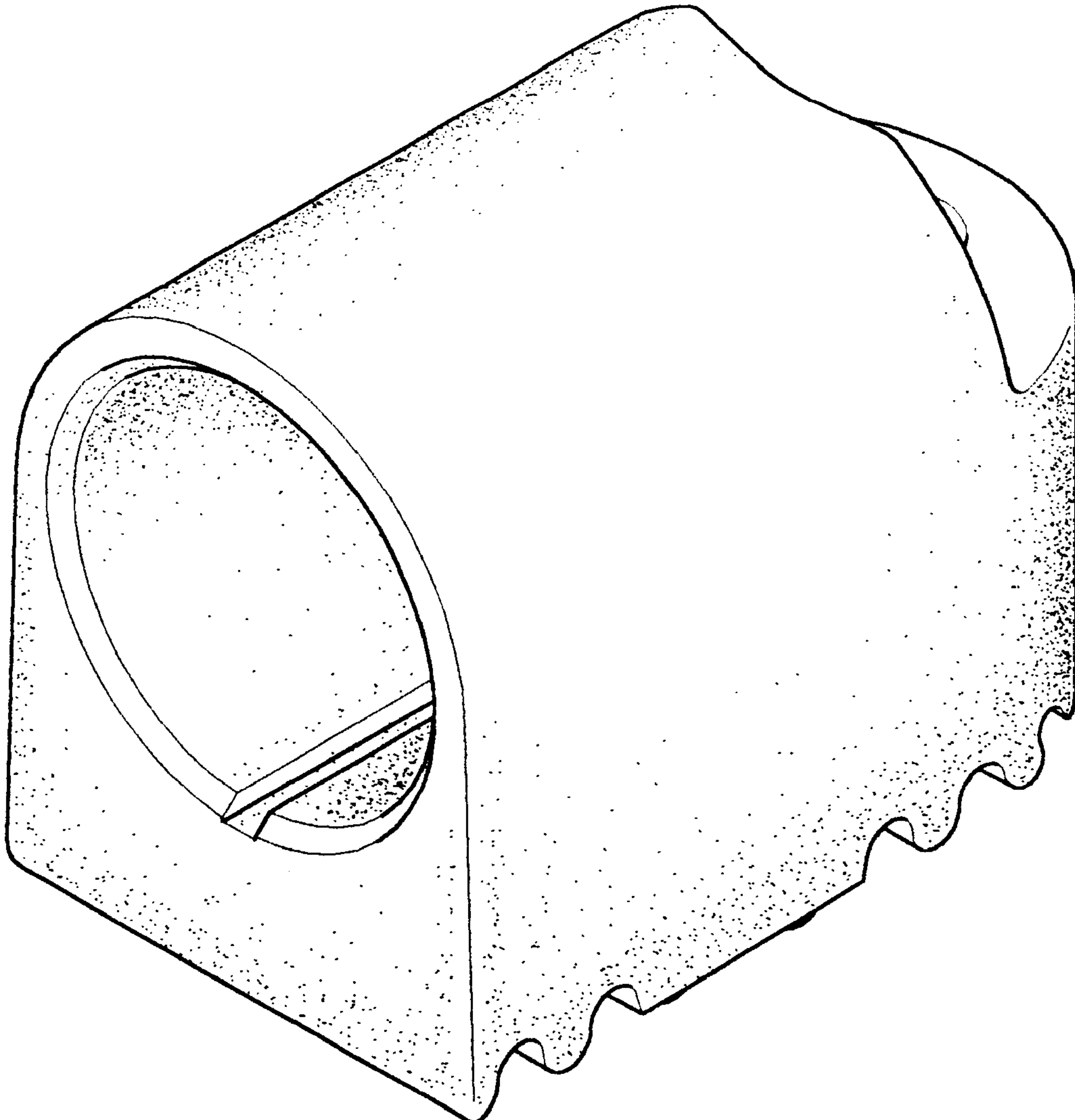
FIG. 4 is a left side elevation view thereof;

FIG. 5 is a right side elevation view thereof;

FIG. 6 is a top plan view thereof; and,

FIG. 7 is a bottom plan view thereof.

1 Claim, 4 Drawing Sheets



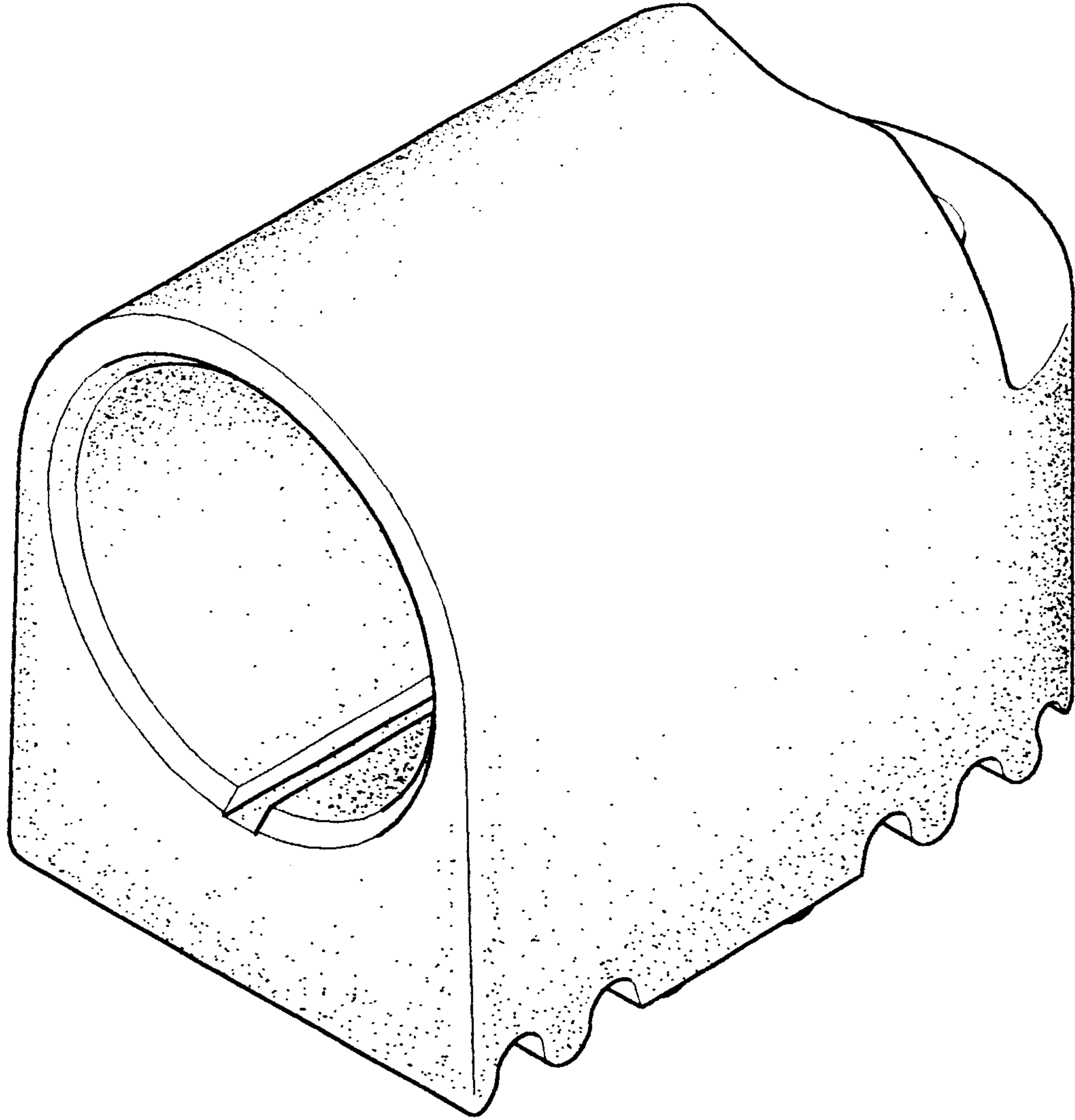


FIG. 1

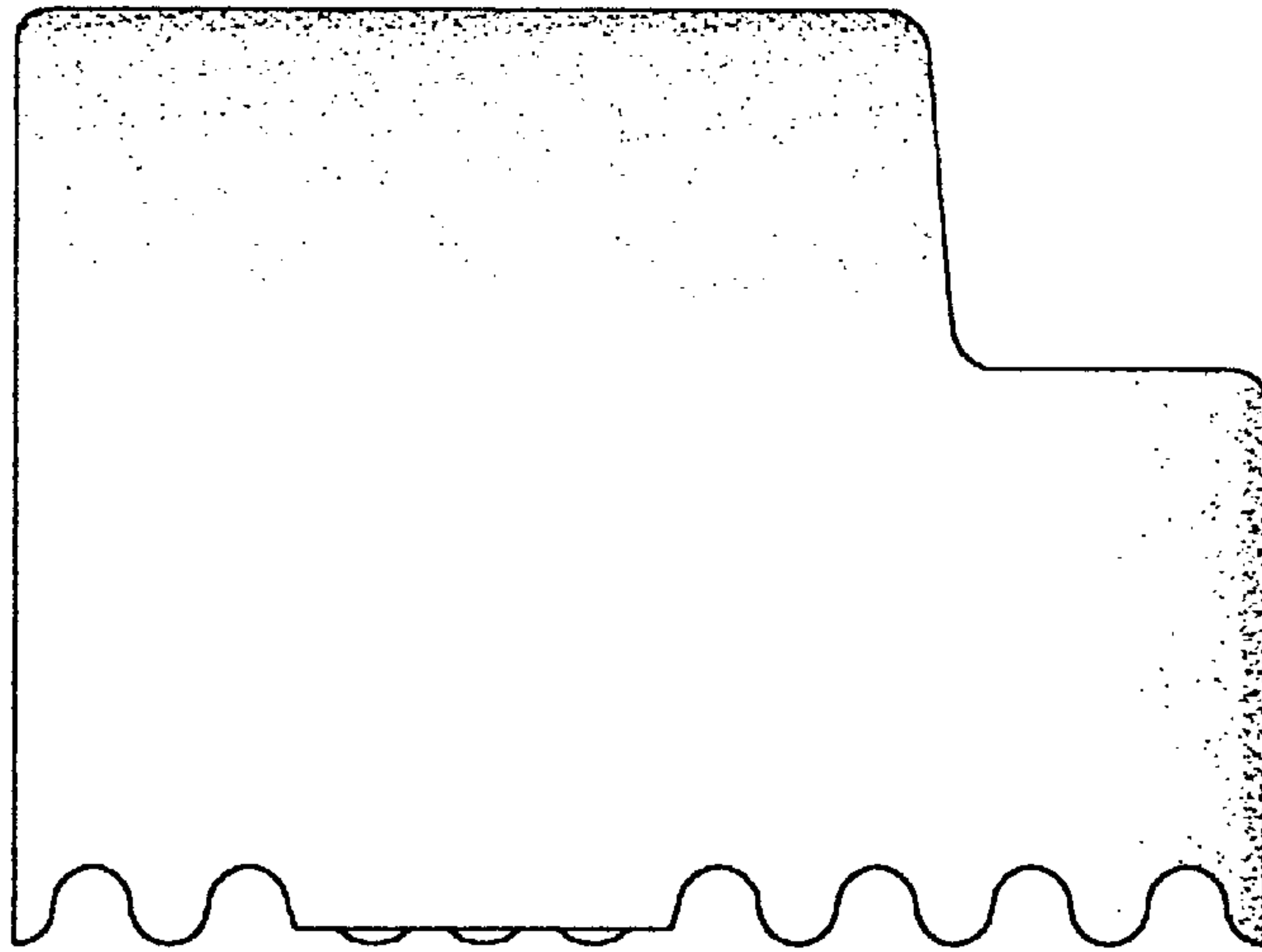


FIG. 2

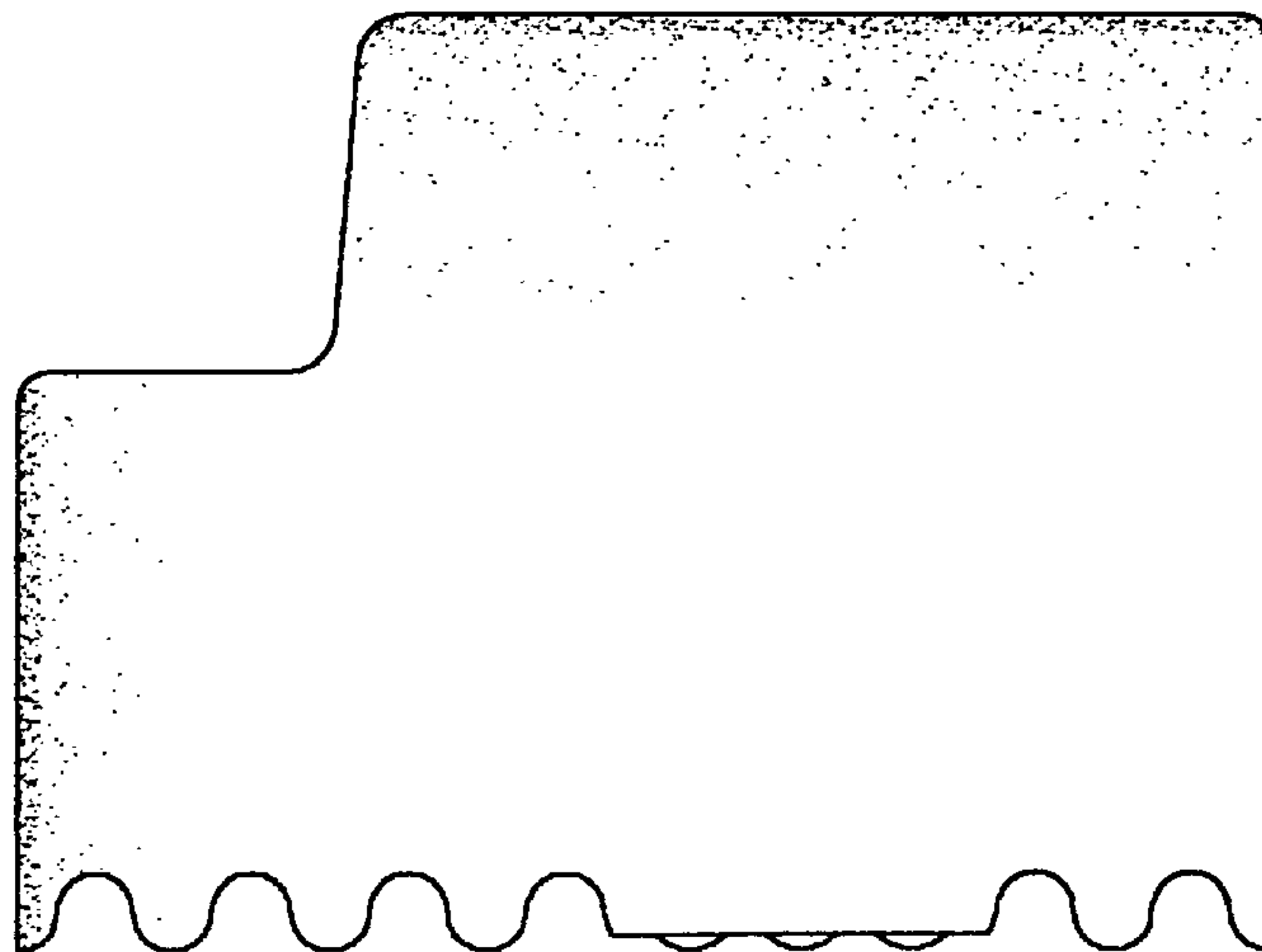


FIG. 3

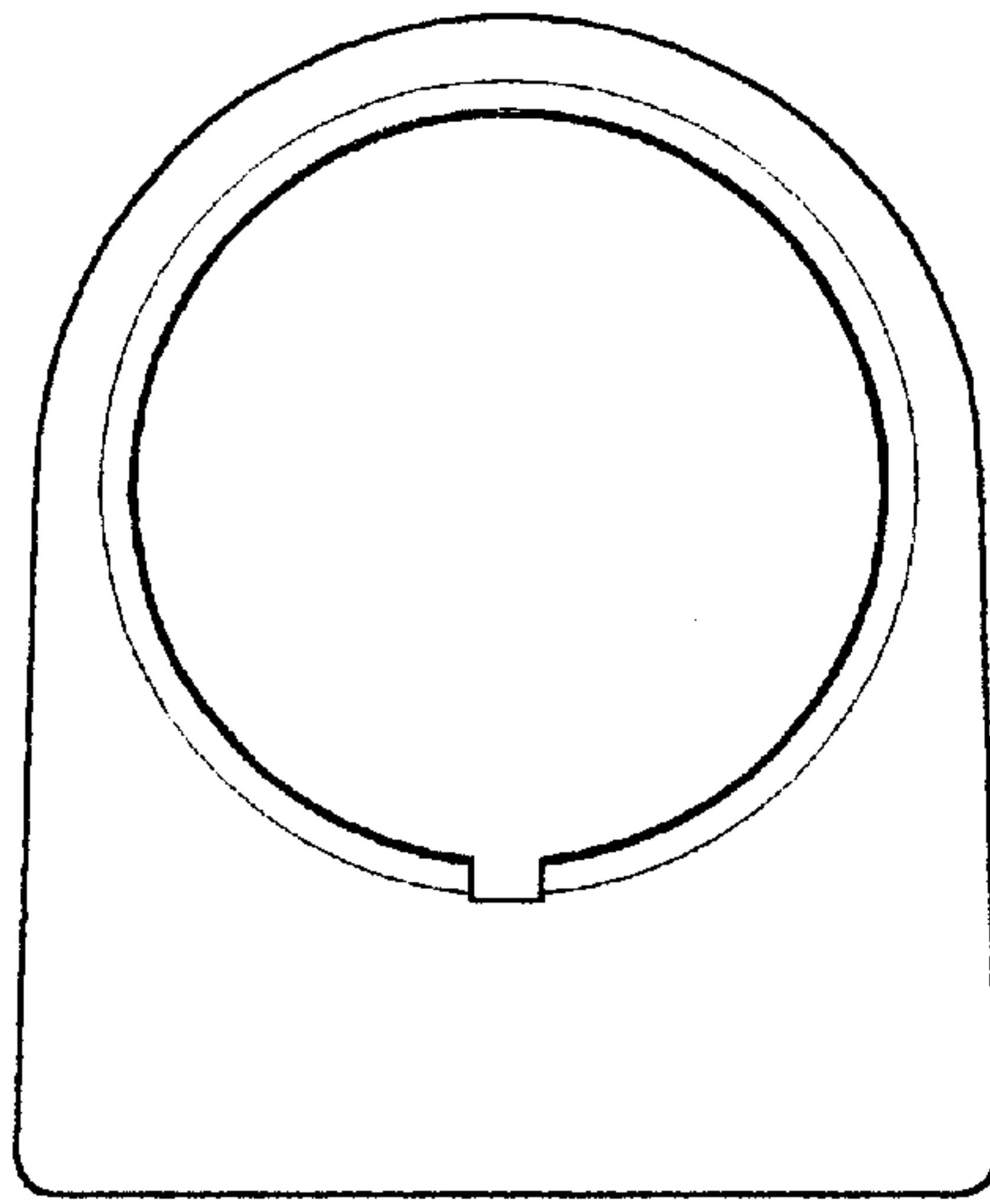


FIG. 4

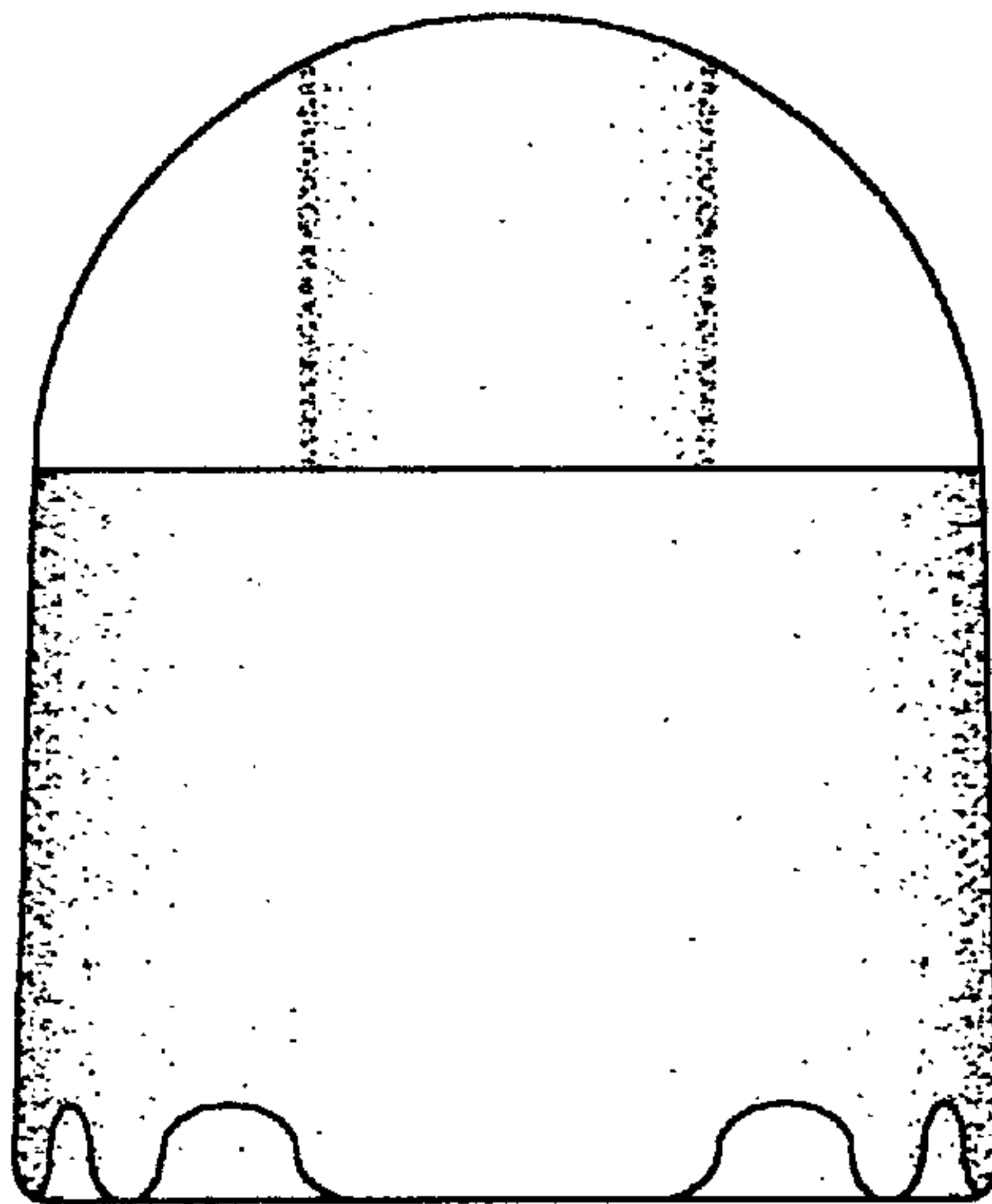


FIG. 5

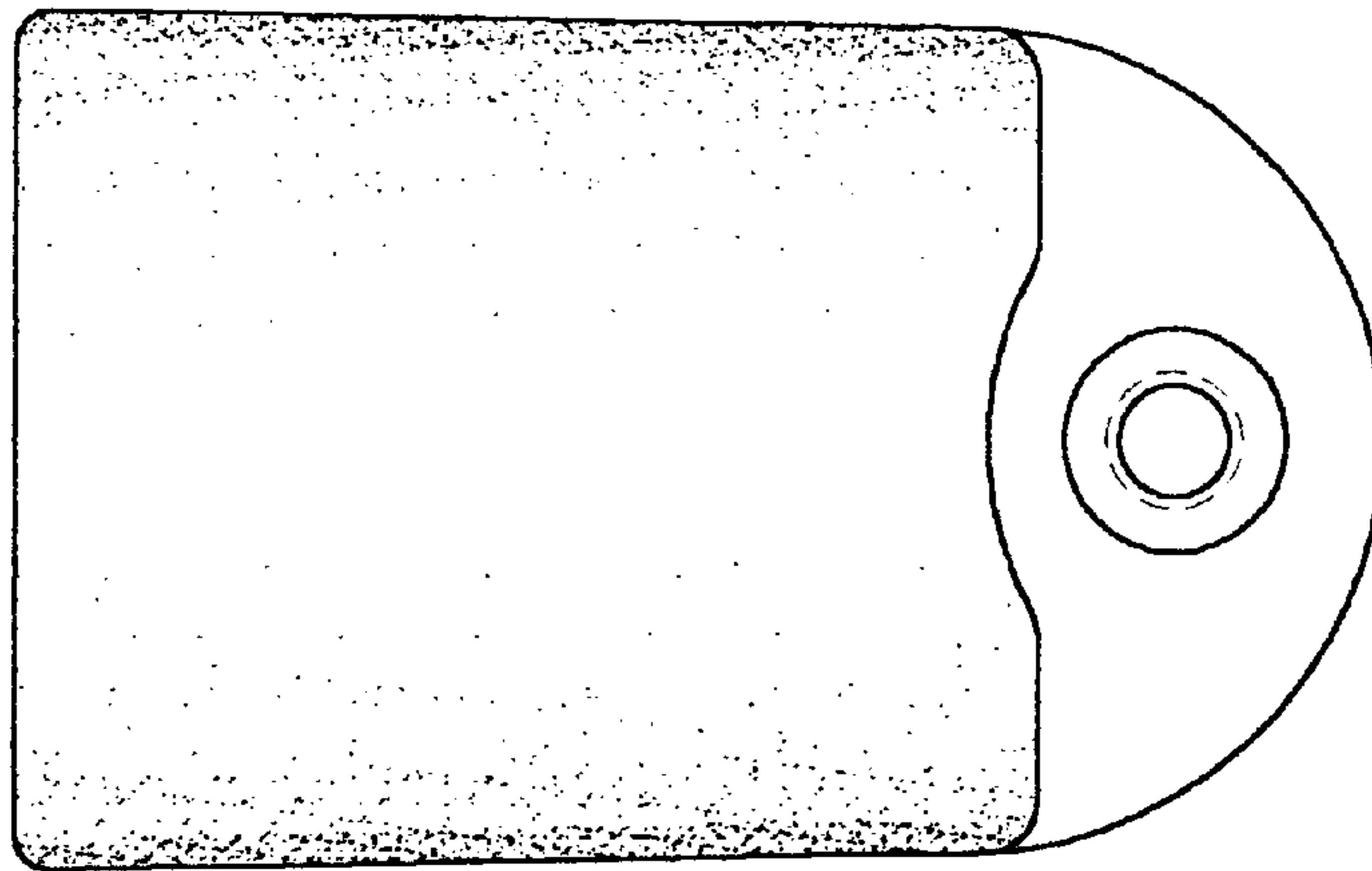


FIG. 6

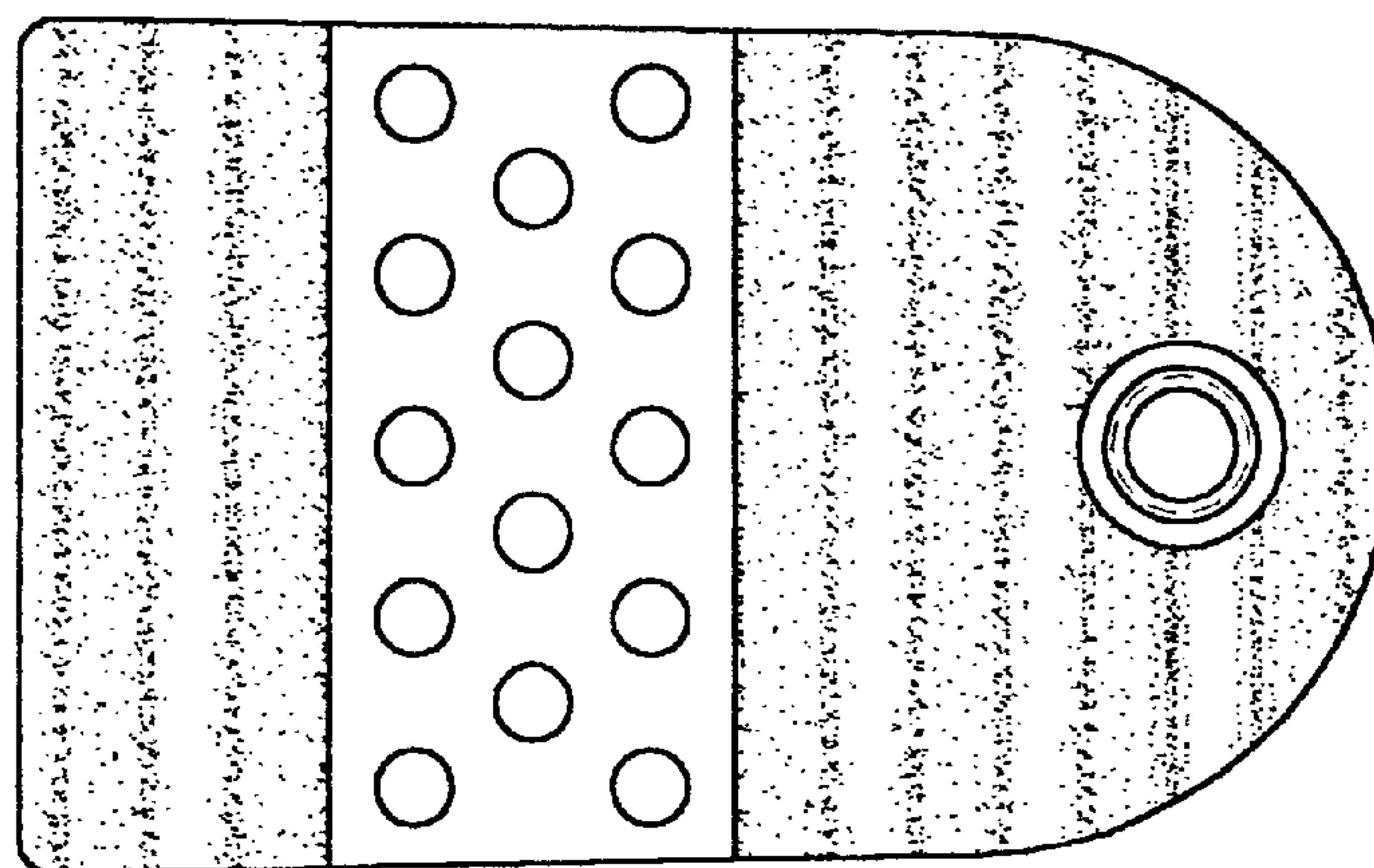


FIG. 7