



US00D471075S

(12) **United States Design Patent**
Fields

(10) **Patent No.:** **US D471,075 S**

(45) **Date of Patent:** **** Mar. 4, 2003**

(54) **PULL**

D438,776 S * 3/2001 Boscherini D8/316

(75) Inventor: **Betsy Fields**, Silverton, CO (US)

OTHER PUBLICATIONS

(73) Assignee: **Liberty Hardware Mfg. Corp.**,
Winston-Salem, NC (US)

Jaybee/Ajax Mfg. Co., Inc. 1987 Catalog; p. 10; convex
forged knob 2412.*

(**) Term: **14 Years**

* cited by examiner

(21) Appl. No.: **29/159,744**

Primary Examiner—B. J. Bullock

(22) Filed: **Apr. 26, 2002**

(74) *Attorney, Agent, or Firm*—Edgar A. Zarins; Lloyd D.
Doigan

(51) **LOC (7) Cl.** **08-06**

(52) **U.S. Cl.** **D8/316**

(58) **Field of Search** D8/300–302, 305,
D8/307, 310, 315–320, 350, 352, 353;
D23/250–254; 16/110.1, 412, 414–420,
441, 443–446; 292/347

(57) **CLAIM**

The ornamental design for a pull, as shown and described.

(56) **References Cited**

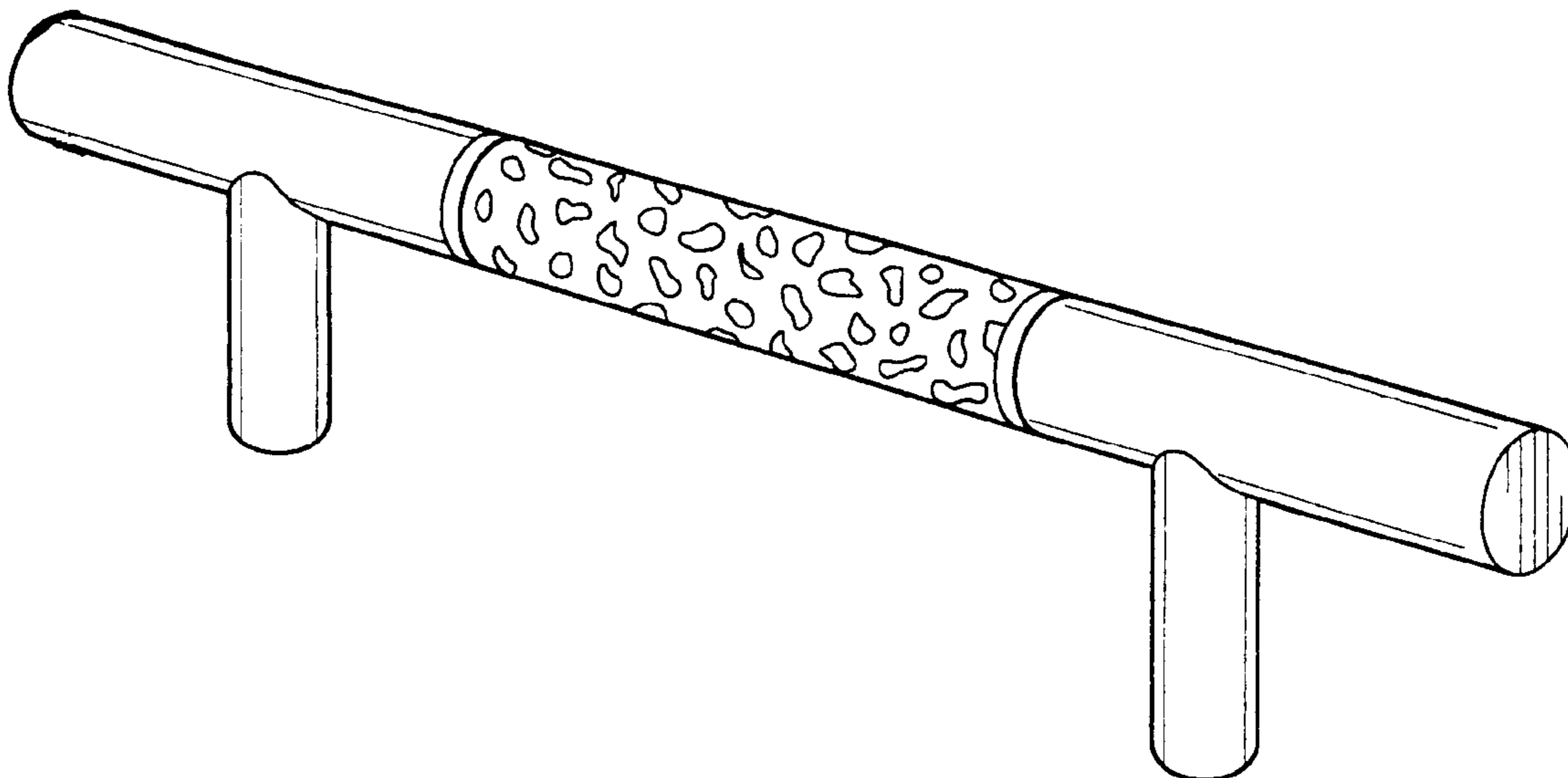
U.S. PATENT DOCUMENTS

2,498,139	A	*	2/1950	Simjian	16/419
D301,200	S	*	5/1989	Jans	D8/305
D337,507	S	*	7/1993	Jans	D8/316
D344,007	S	*	2/1994	Jans	D8/316

DESCRIPTION

FIG. 1 is a perspective view of a pull showing my new
design;
FIG. 2 is a side elevational view thereof, the opposite side
being a mirror image of the side shown;
FIG. 3 is a front view thereof;
FIG. 4 is a rear view thereof; and,
FIG. 5 is an end view thereof, the opposite end being a
mirror image of the end shown.

1 Claim, 2 Drawing Sheets



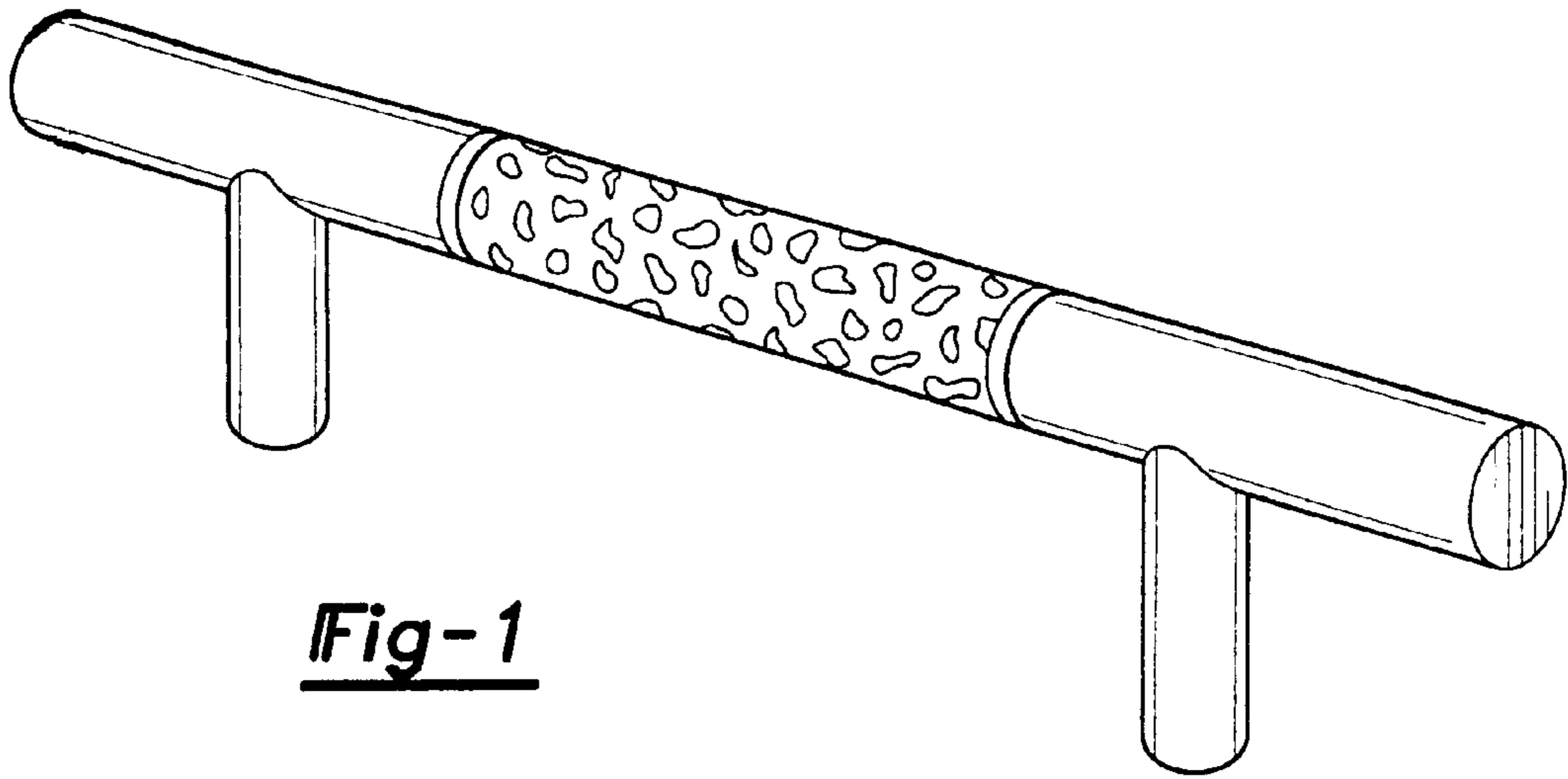


Fig-1

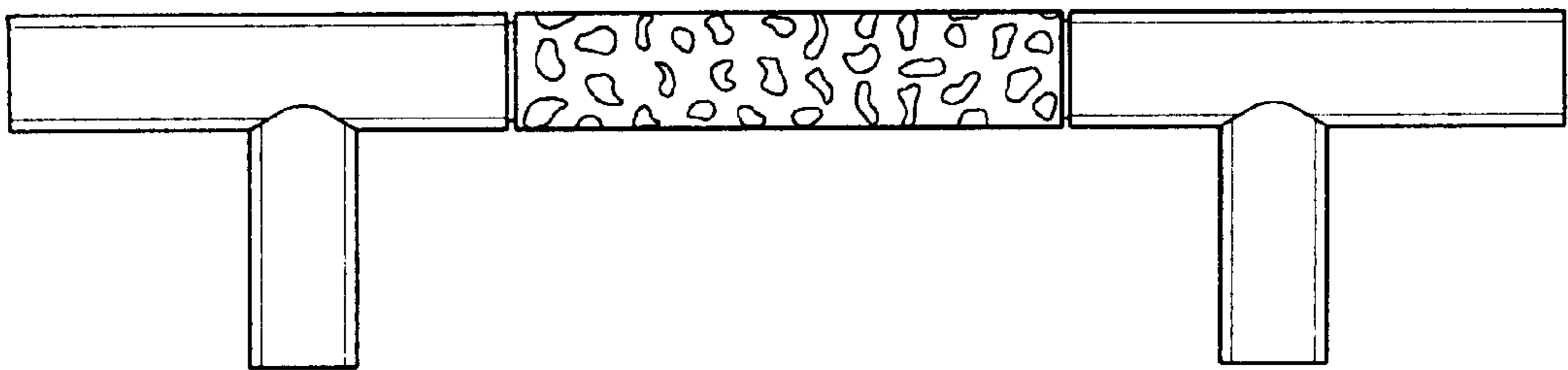


Fig-2



Fig-3

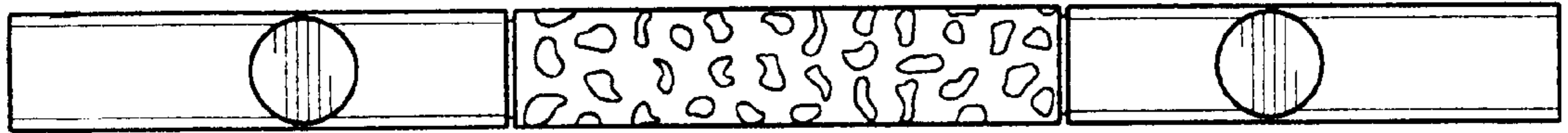


Fig-4

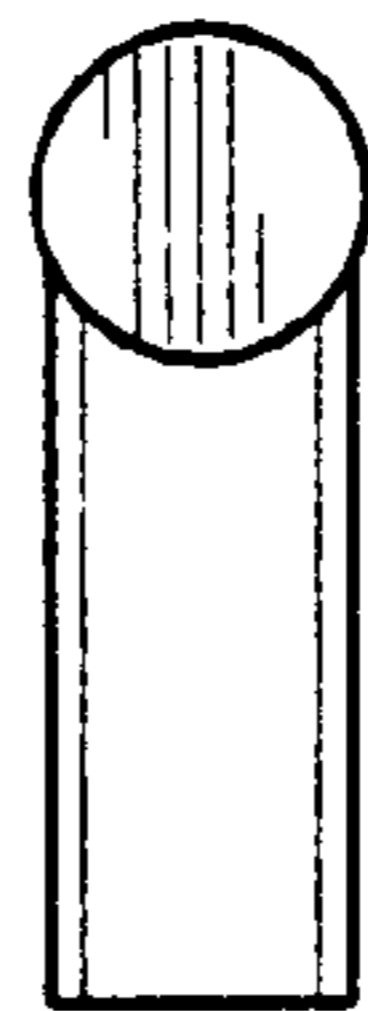


Fig-5