



US00D471071S

(12) **United States Design Patent**
Richards

(10) **Patent No.:** **US D471,071 S**

(45) **Date of Patent:** **** Mar. 4, 2003**

(54) **HAND TOOL**

D439,126 S * 3/2001 Gohman D8/89

(76) Inventor: **Donald E. Richards**, P.O. Box 342,
#14 Stockade Rd., Chadron, NE (US)
69337

* cited by examiner

Primary Examiner—Philip S. Hyder
(74) *Attorney, Agent, or Firm*—Skinner and Associates

(**) Term: **14 Years**

(57) **CLAIM**

(21) Appl. No.: **29/132,923**

The ornamental design for a hand tool, as shown and described.

(22) Filed: **Nov. 20, 2000**

DESCRIPTION

(51) **LOC (7) Cl.** **08-05**

(52) **U.S. Cl.** **D8/89; D8/14**

(58) **Field of Search** D8/14, 48, 88,
D8/89; 254/25, 21, 166, 26

The design is for a hand tool for lawn and garden, general carpentry (including nail removal), general mechanical, and residential, industrial and commercial maintenance use.

FIG. 1 is a perspective view of a hand tool showing the new design.

FIG. 2 is a bottom view thereof.

FIG. 3 is a top view thereof.

FIG. 4 is a side view thereof.

FIG. 5 is an opposite side view thereof.

FIG. 6 is an end view thereof; and,

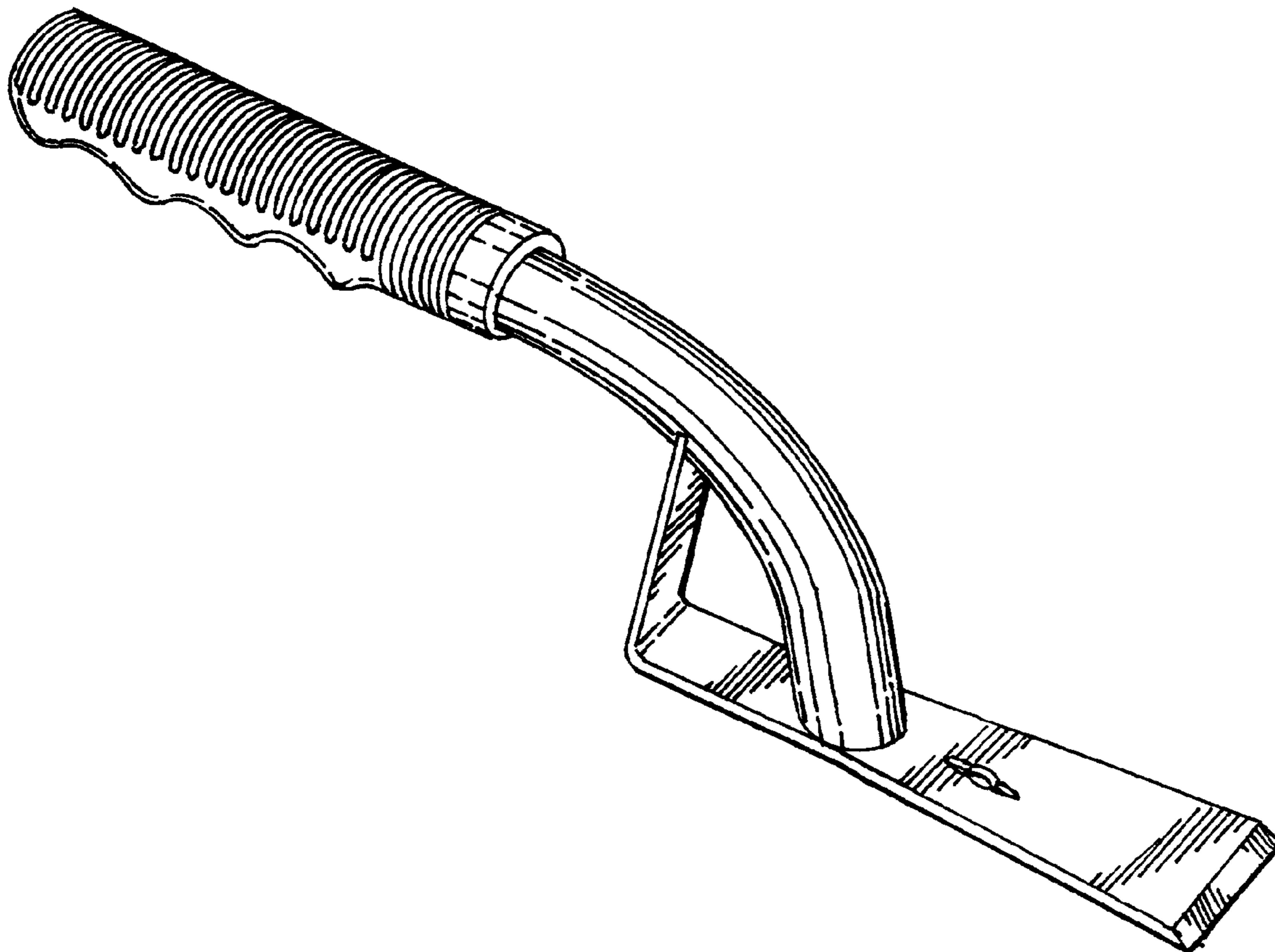
FIG. 7 is an opposite end view thereof.

(56) **References Cited**

U.S. PATENT DOCUMENTS

3,288,437	A	*	11/1966	Pederson	254/132
D237,353	S	*	10/1975	Misch	D8/88
3,987,827	A	*	10/1976	Mills	254/25
4,009,743	A	*	3/1977	Ackerman	30/169
5,820,107	A	*	10/1998	Hall	254/25
D431,990	S	*	10/2000	Hyslop et al.	D8/89

1 Claim, 3 Drawing Sheets



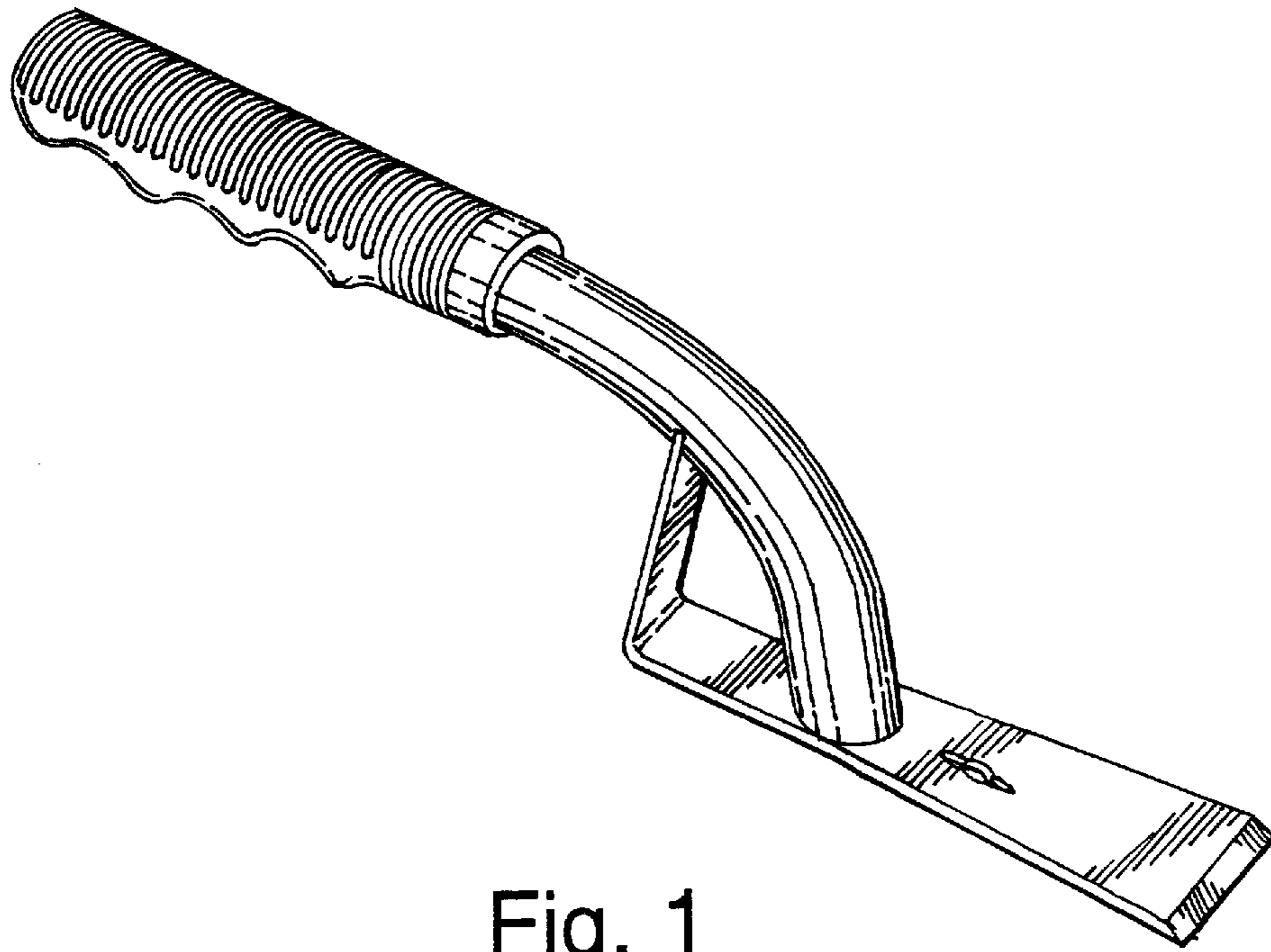


Fig. 1

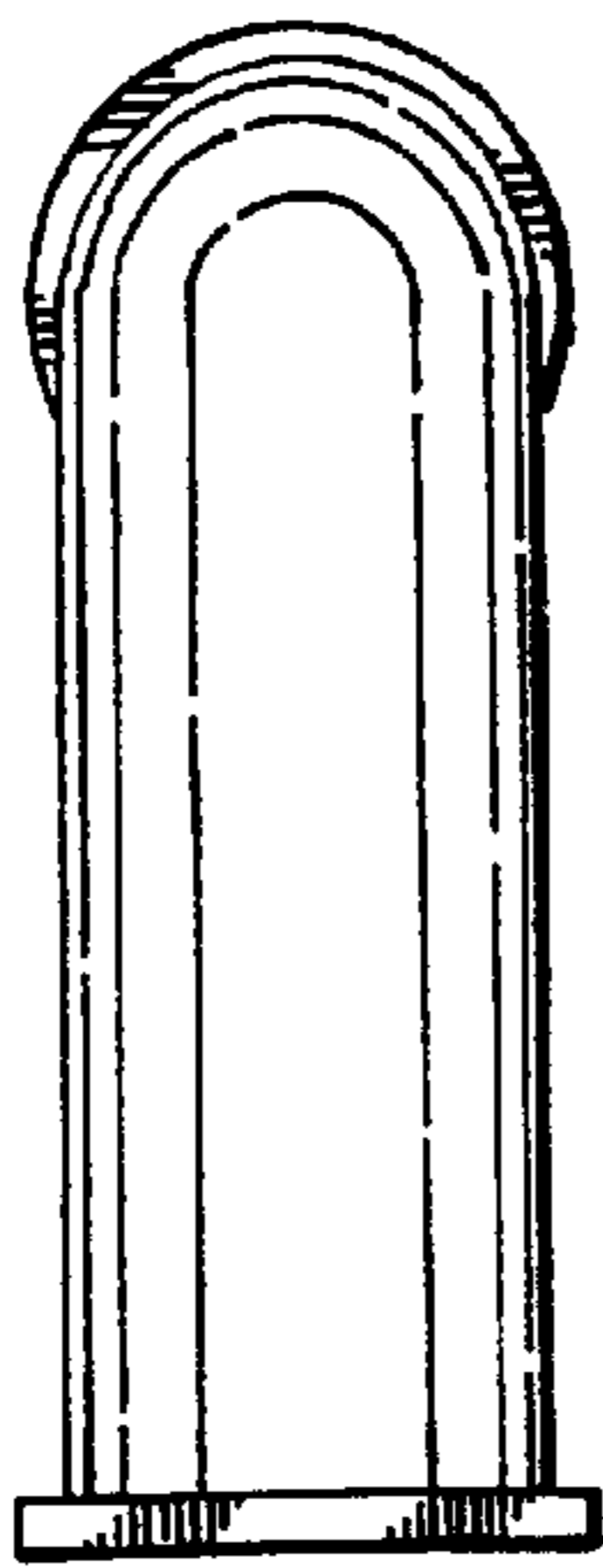


Fig. 6

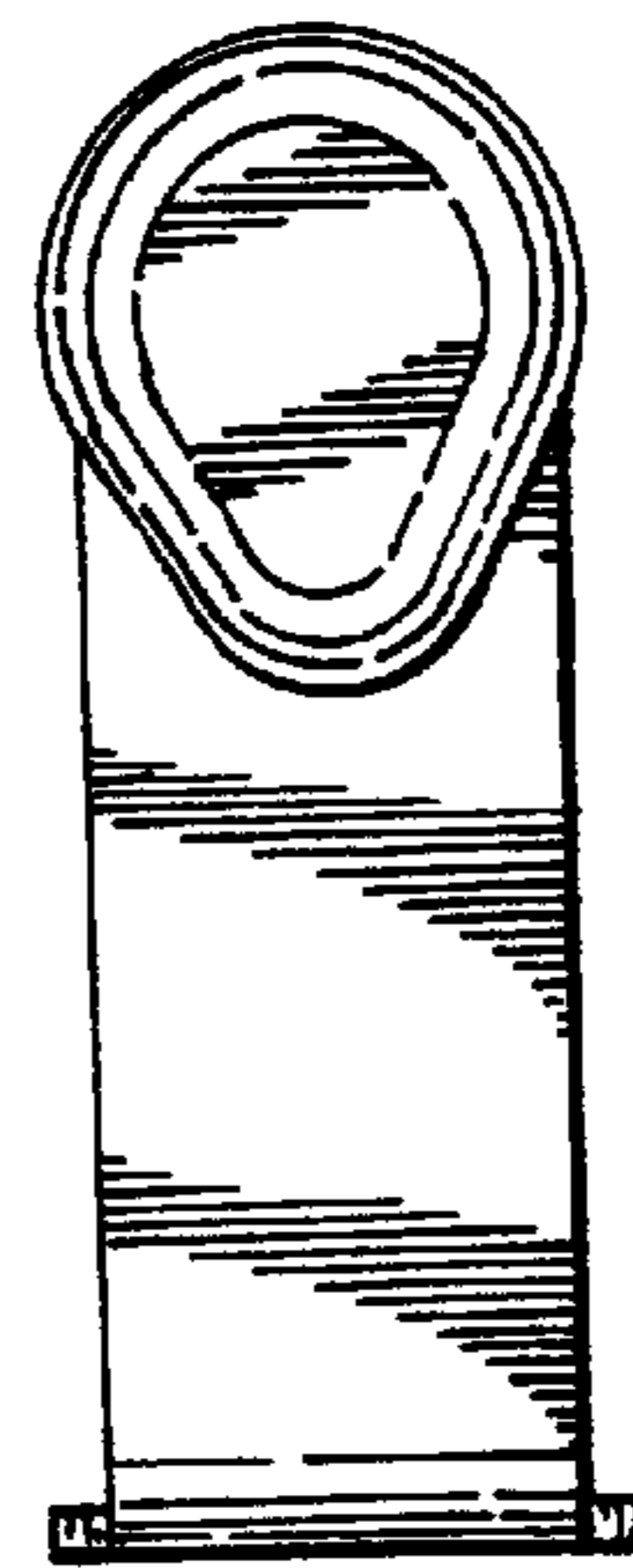


Fig. 7

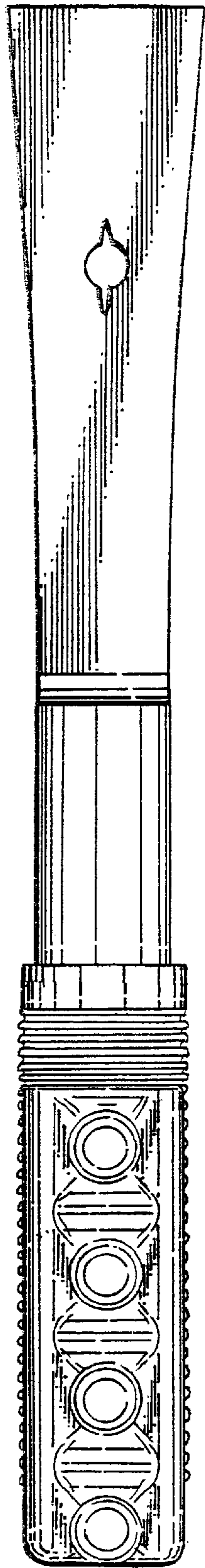


Fig. 2

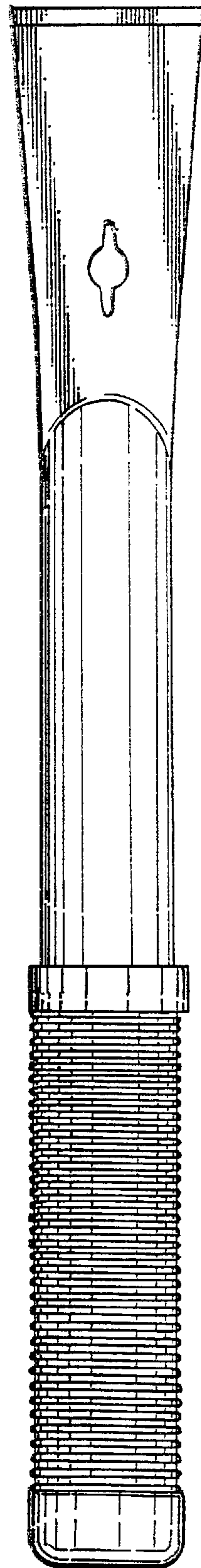


Fig. 3

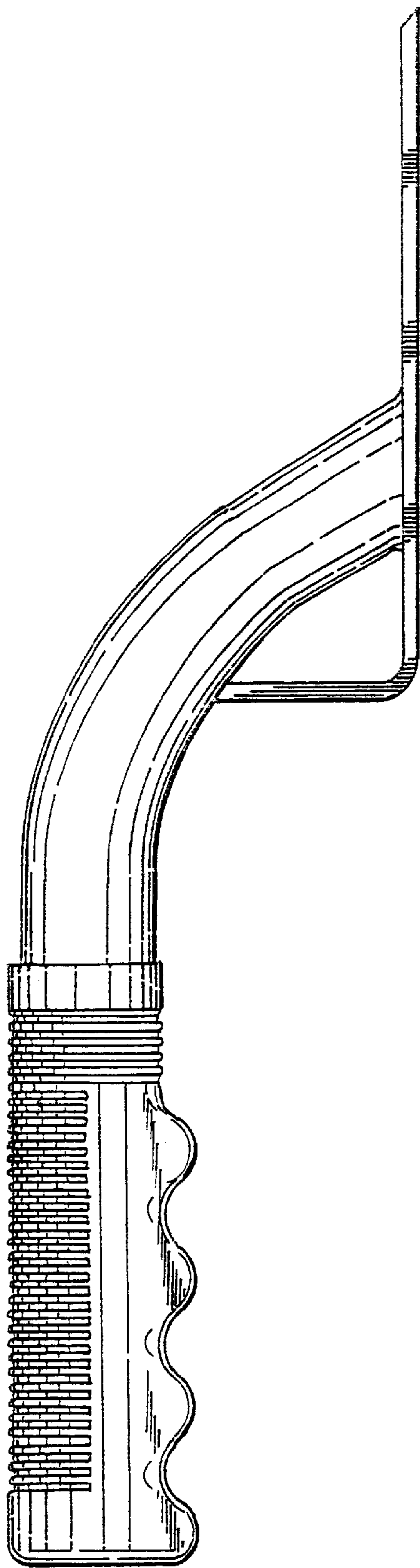


Fig. 4

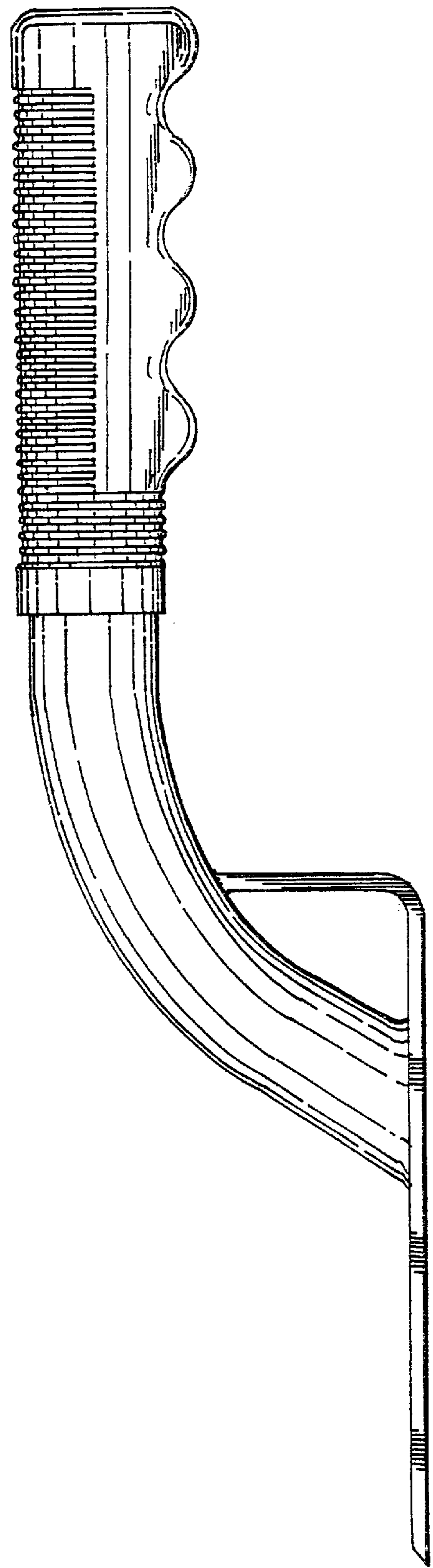


Fig. 5