



US00D471070S

(12) **United States Design Patent**
Howell

(10) **Patent No.:** **US D471,070 S**

(45) **Date of Patent:** **** Mar. 4, 2003**

(54) **CLAMP**

(75) **Inventor:** **Paul Howell, West Yorkshire (GB)**

(73) **Assignee:** **Record Tools Limited, Sheffield (GB)**

(**) **Term:** **14 Years**

GB	2103122 A	2/1983
GB	2178689 A	2/1987
GB	2187121 A	9/1987
GB	2221634 A	2/1990
GB	2272175 A	5/1994
GB	2316025 A	2/1998
WO	WO 88/08434	10/1988

(21) **Appl. No.:** **29/138,053**

(22) **Filed:** **Mar. 5, 2001**

(30) **Foreign Application Priority Data**

Mar. 6, 2000 (GB) 2095583

(51) **LOC (7) Cl.** **08-05**

(52) **U.S. Cl.** **D8/72**

(58) **Field of Search** D8/71-74; 81/363,
81/429; 269/98, 247, 252, 253; 24/486,
525

(56) **References Cited**

U.S. PATENT DOCUMENTS

1,136,473 A *	4/1915	Long	269/89
1,452,847 A *	4/1923	Quinlan	269/247
D145,641 S *	9/1946	Thomson	D8/74
D148,275 S *	1/1948	Bihler	D8/74
D164,143 S *	7/1951	Vogl	D8/74
4,555,100 A	11/1985	Ditto	
4,926,722 A	5/1990	Sorensen et al.	

FOREIGN PATENT DOCUMENTS

EP	0019901 A1	5/1980
EP	0201817 A2	5/1986
GB	344317	3/1931
GB	462834	3/1937
GB	637632	5/1950
GB	1376105	12/1974

OTHER PUBLICATIONS

Record Hand Tools catalogue, established in 1898 Sheffield England, catalogue printed in the United Kingdom prior to Jan. 1, 2001, sections cited include *Vices* pp. 4 to 15, *Woodworking Vices* pp. 16 to 19, *G-CLAMPS* pp. 20 to 22, *Bar Clamps* pp. 23 to 27 and *Genuine Record Spares* pp. 67 to 69.

* cited by examiner

Primary Examiner—Louis S. Zarfaz

Assistant Examiner—Deanne Levy

(74) *Attorney, Agent, or Firm*—Brinks Hofer Gilson & Lione

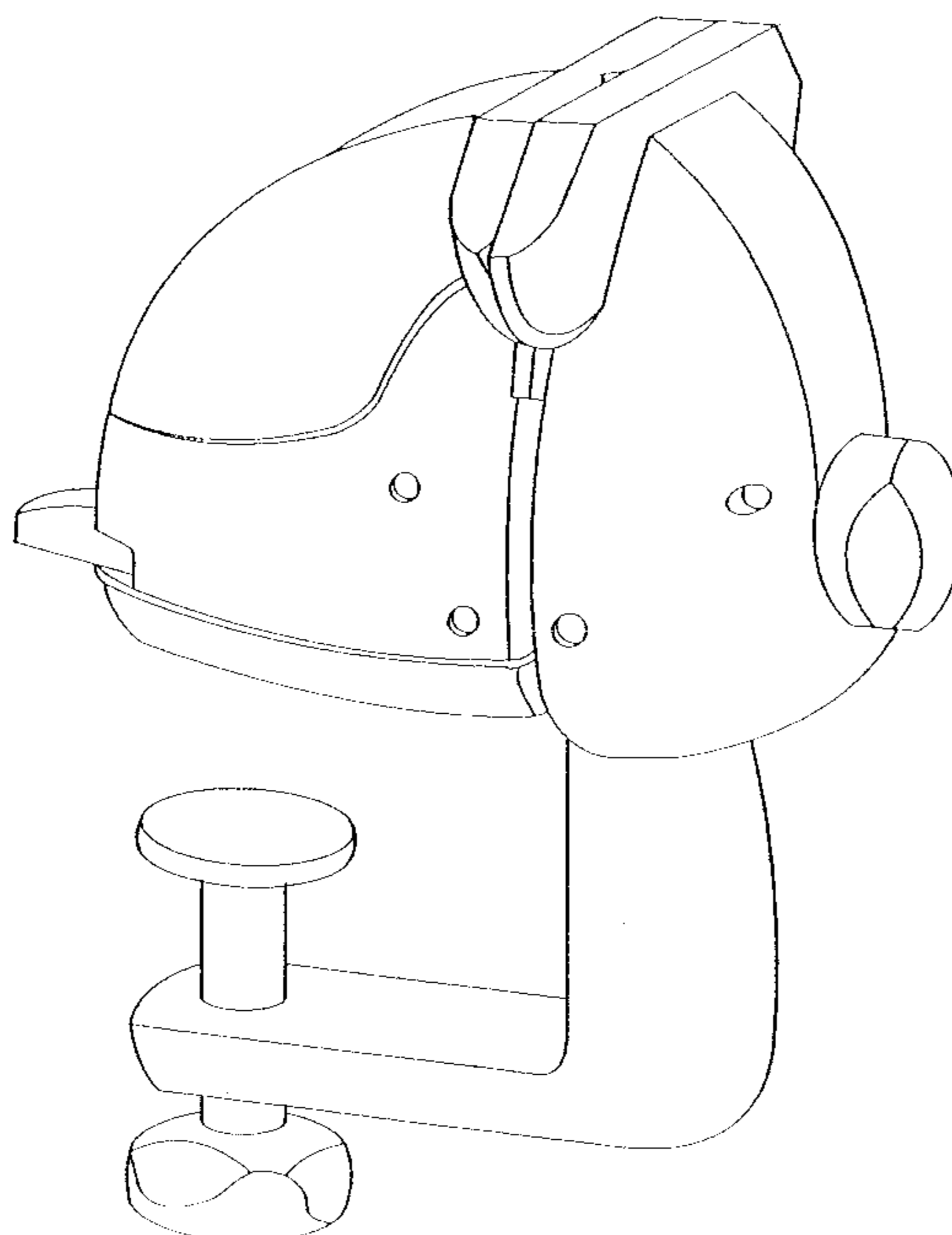
(57) **CLAIM**

The ornamental design for a clamp, as shown and described.

DESCRIPTION

FIG. 1 shows a perspective view of a clamp in the closed position, according to my design;
FIG. 2 shows a top plan view thereof;
FIG. 3 shows a bottom plan view thereof;
FIG. 4 shows a right side plan view thereof;
FIG. 5 shows a left side plan view thereof;
FIG. 6 shows a front plan view thereof; and,
FIG. 7 shows a rear plan view thereof.

1 Claim, 7 Drawing Sheets



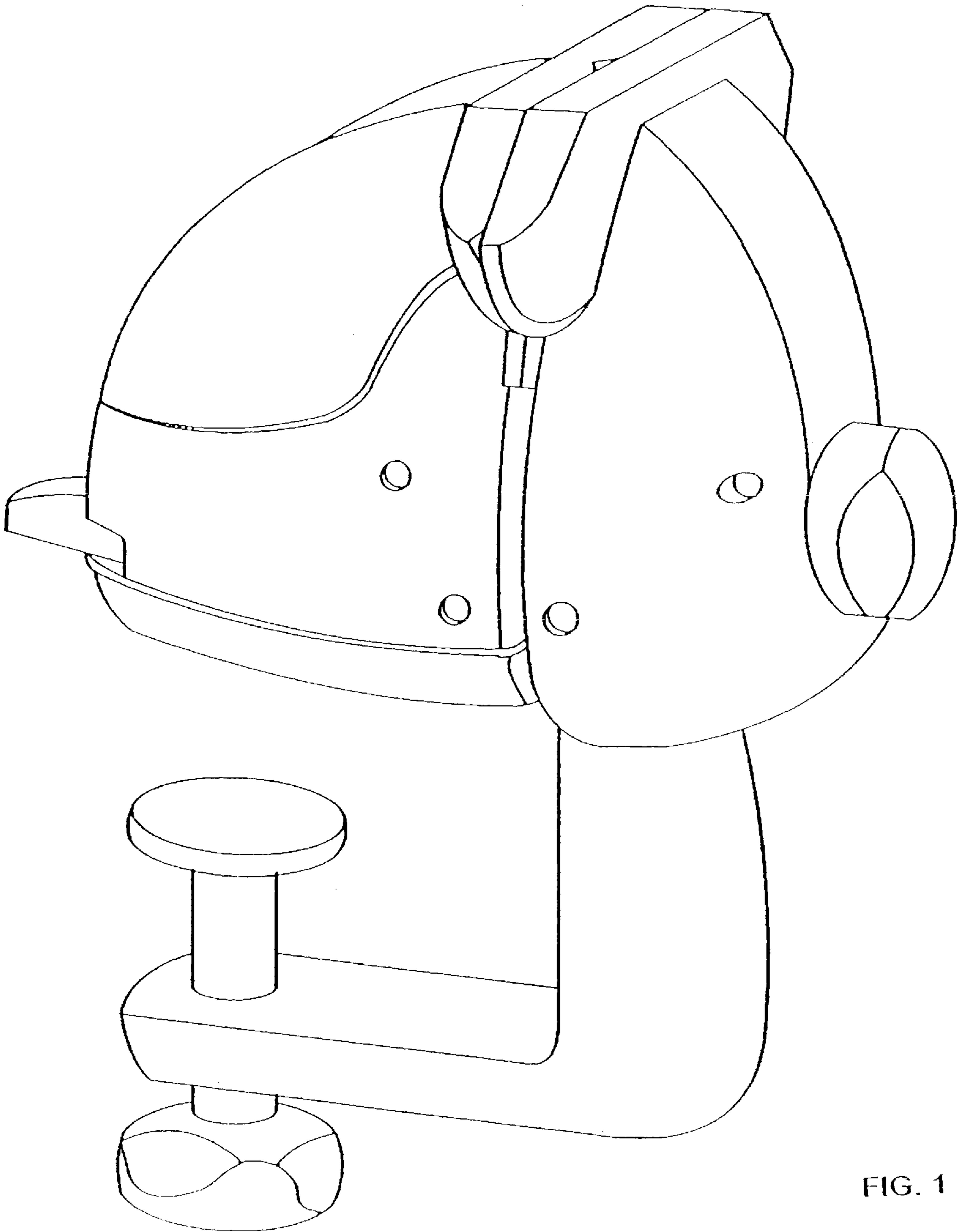


FIG. 1

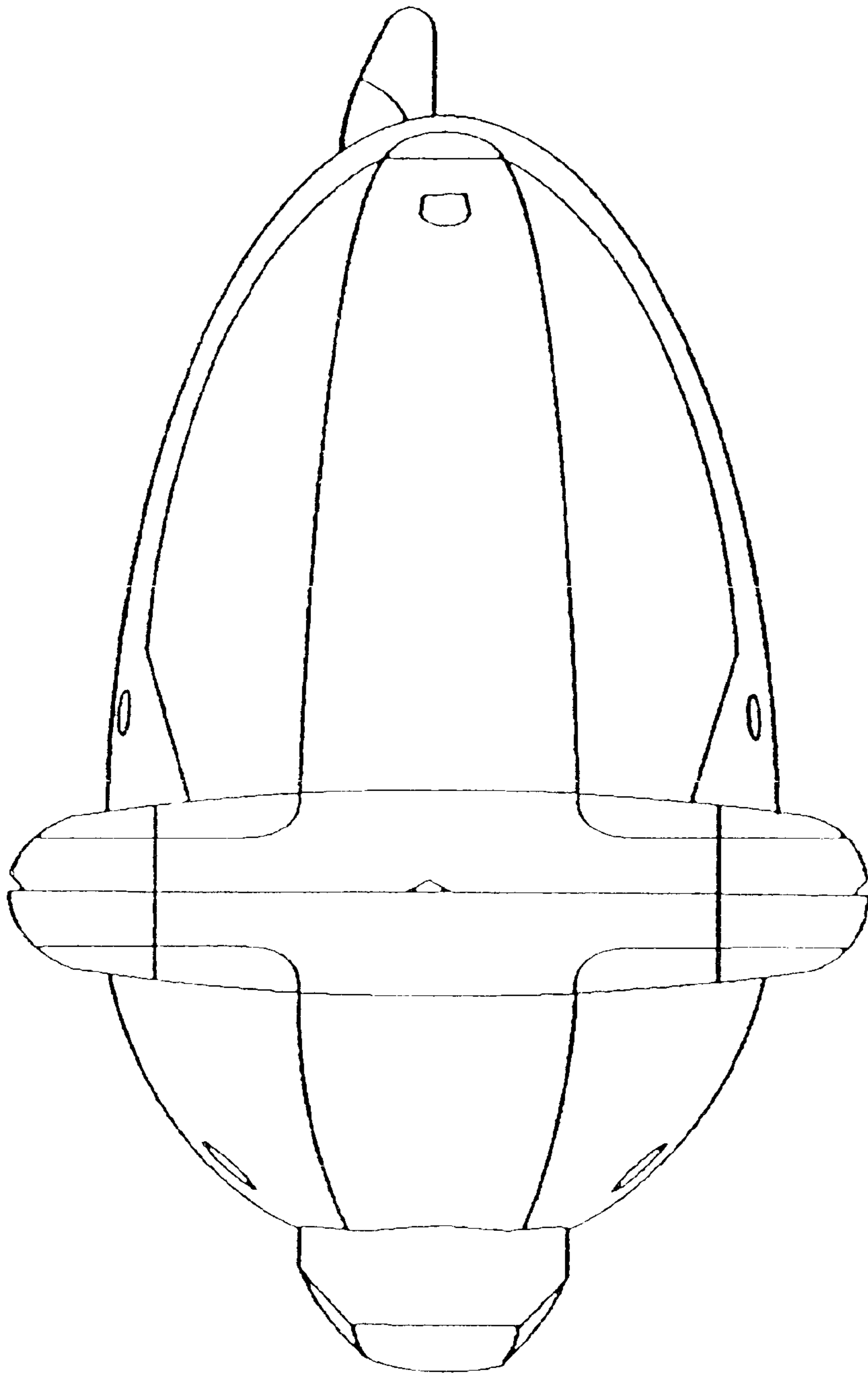


FIG. 2

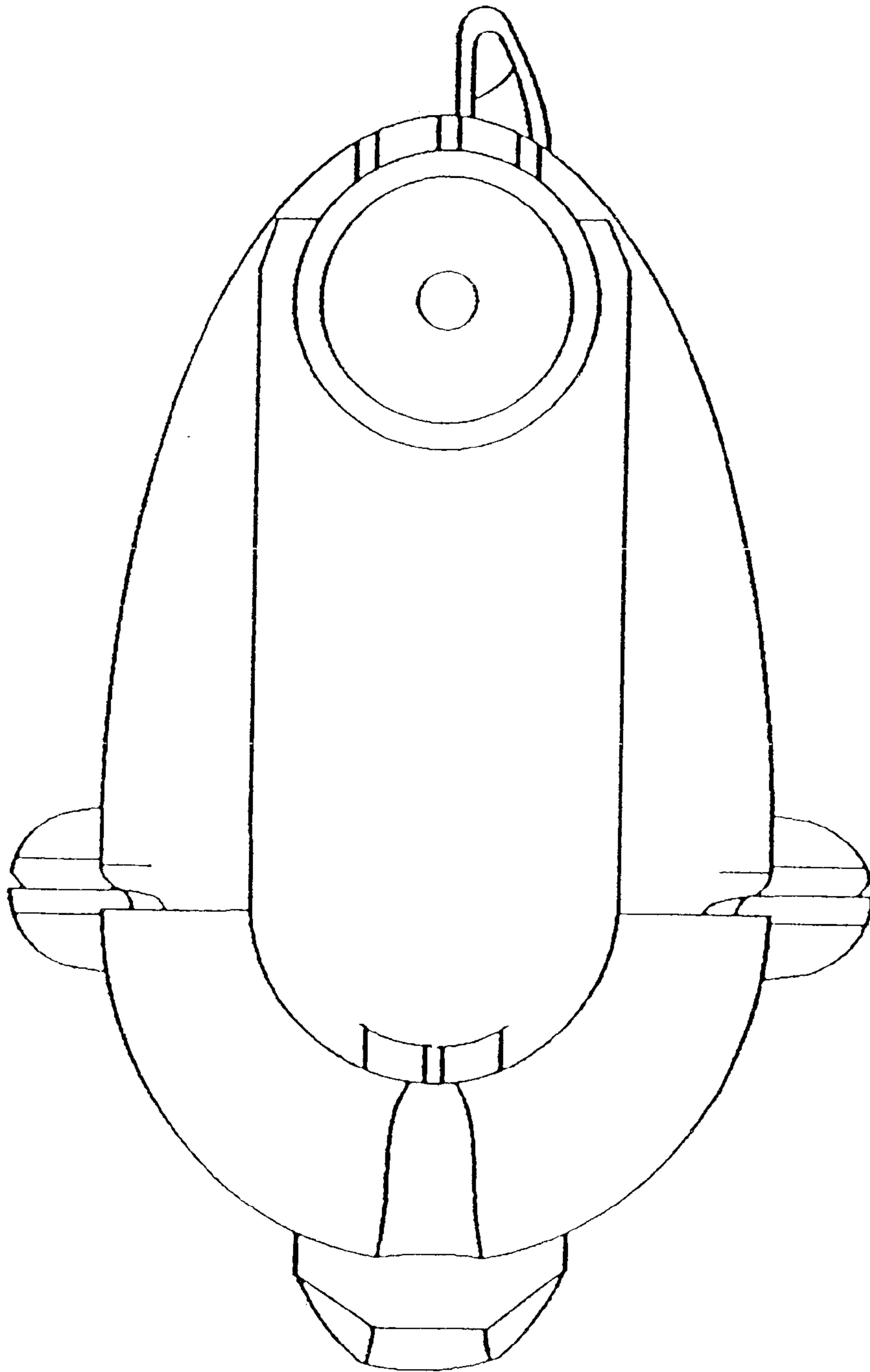


FIG. 3

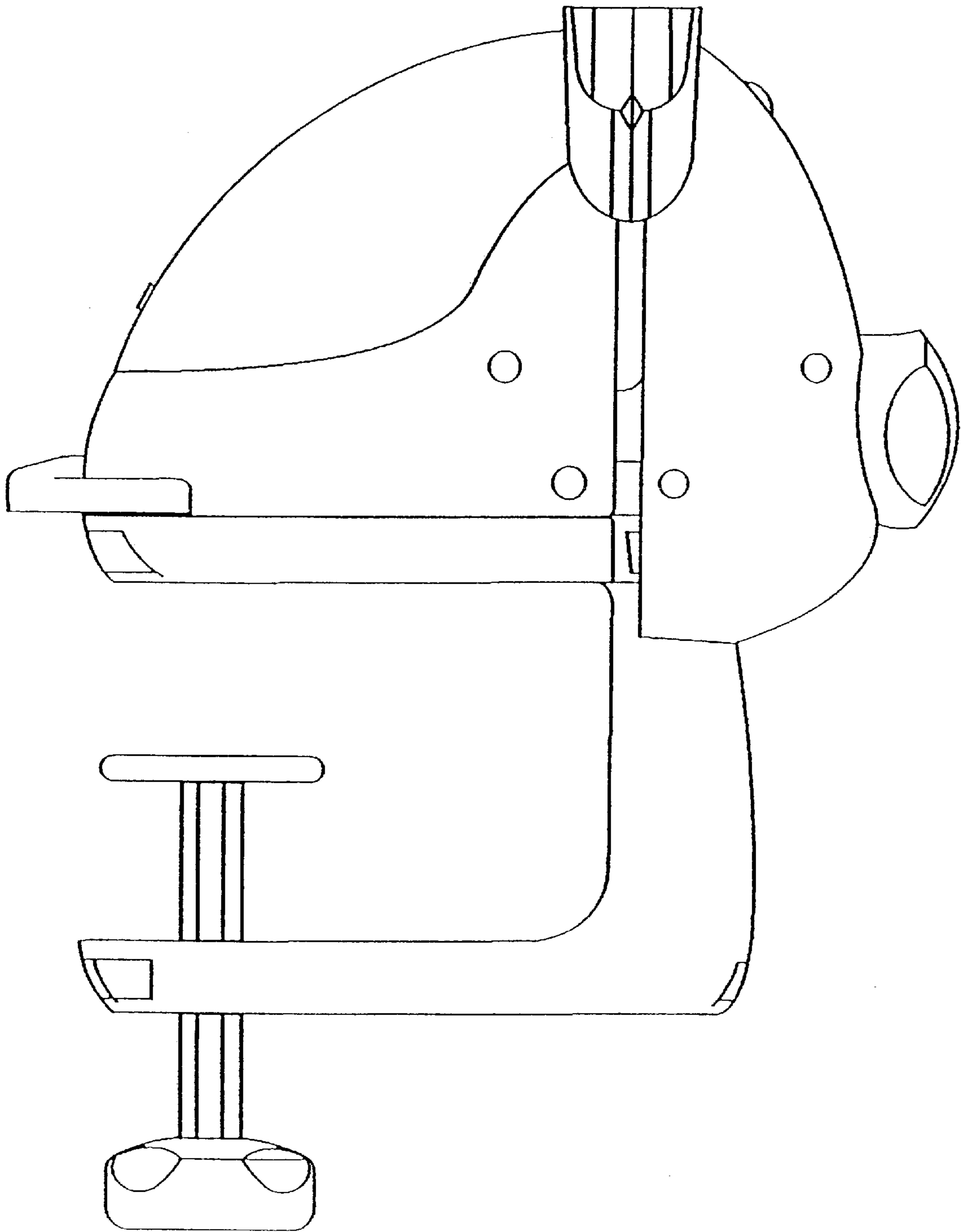


FIG. 4

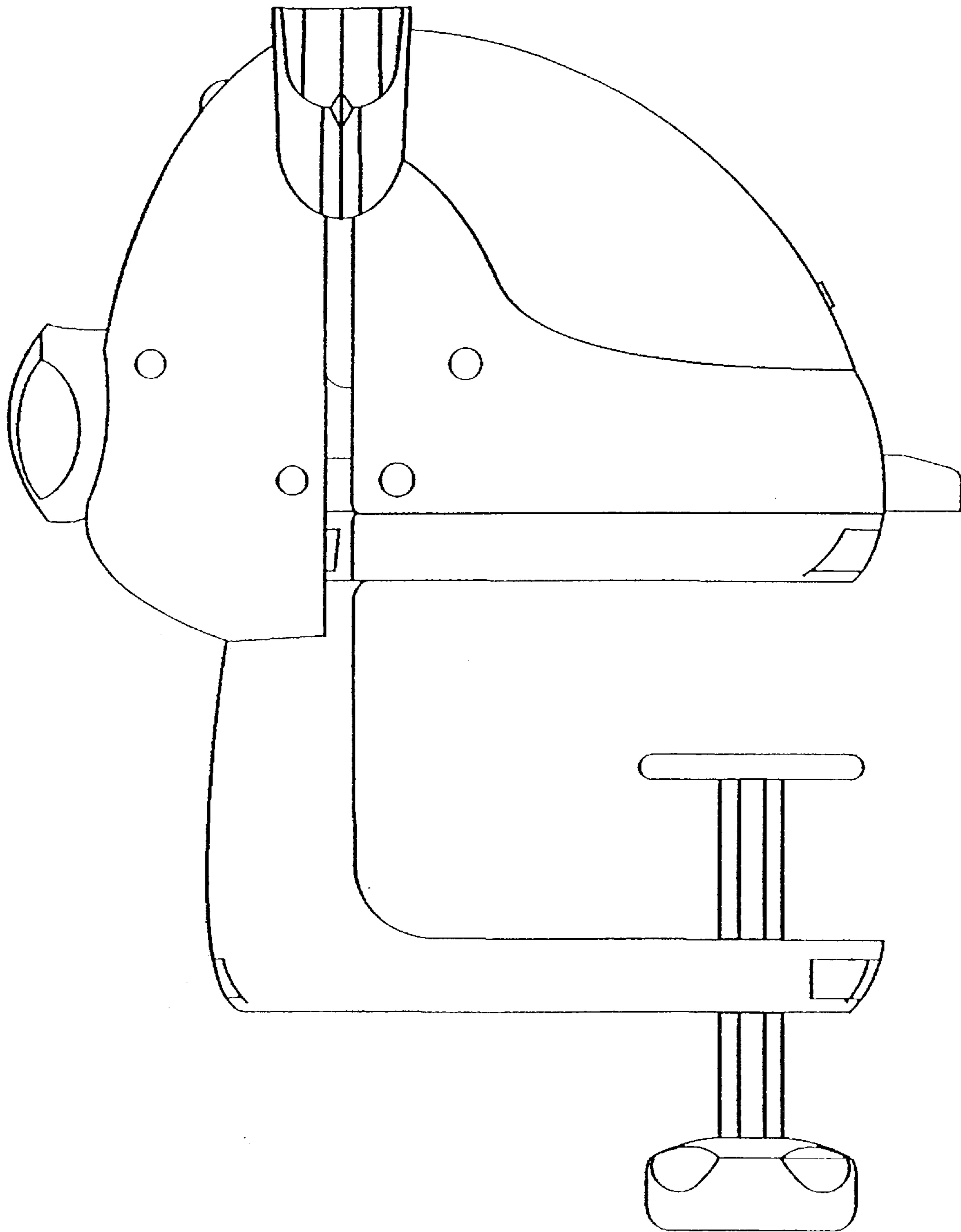


FIG. 5

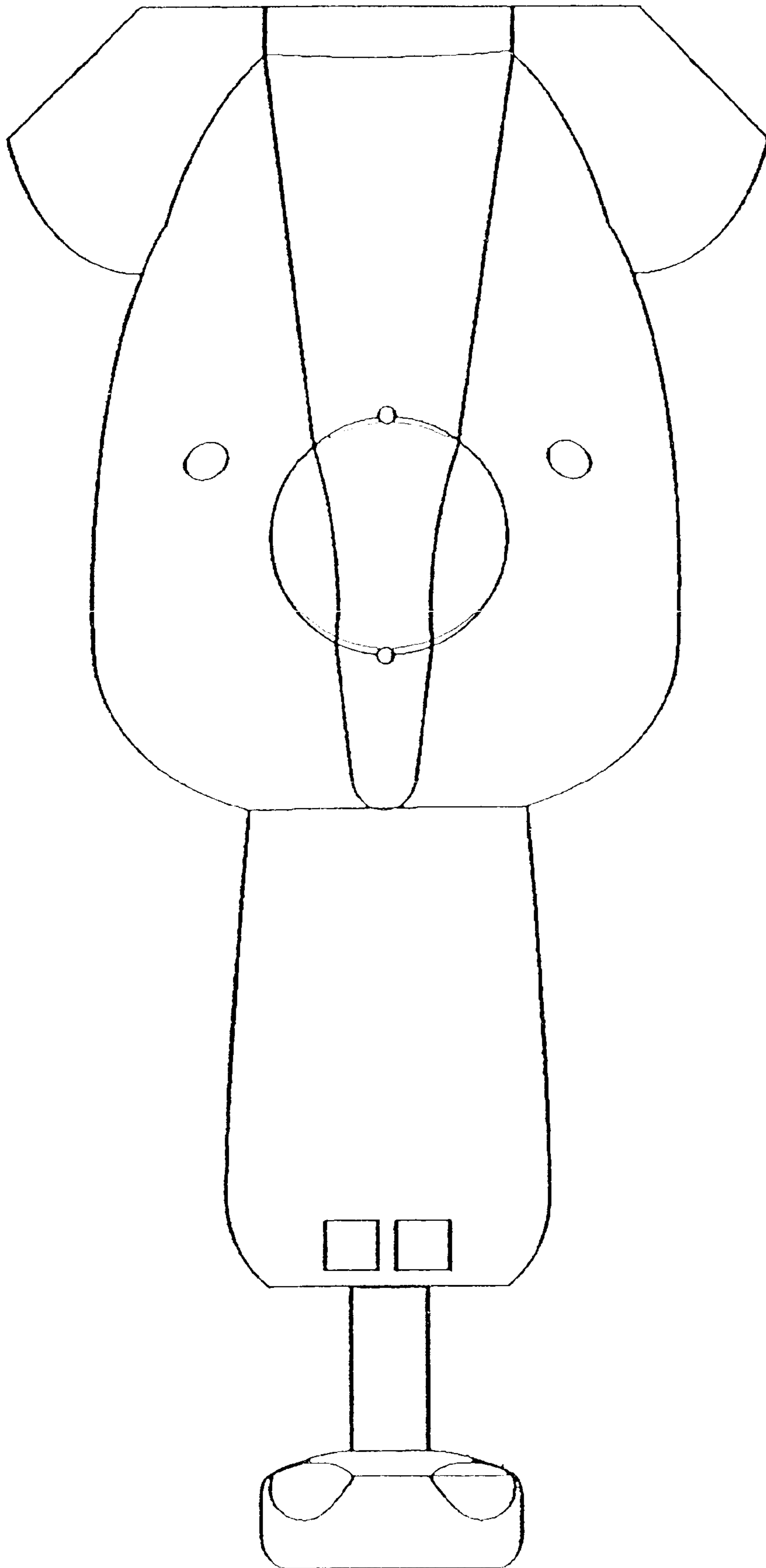


FIG. 6

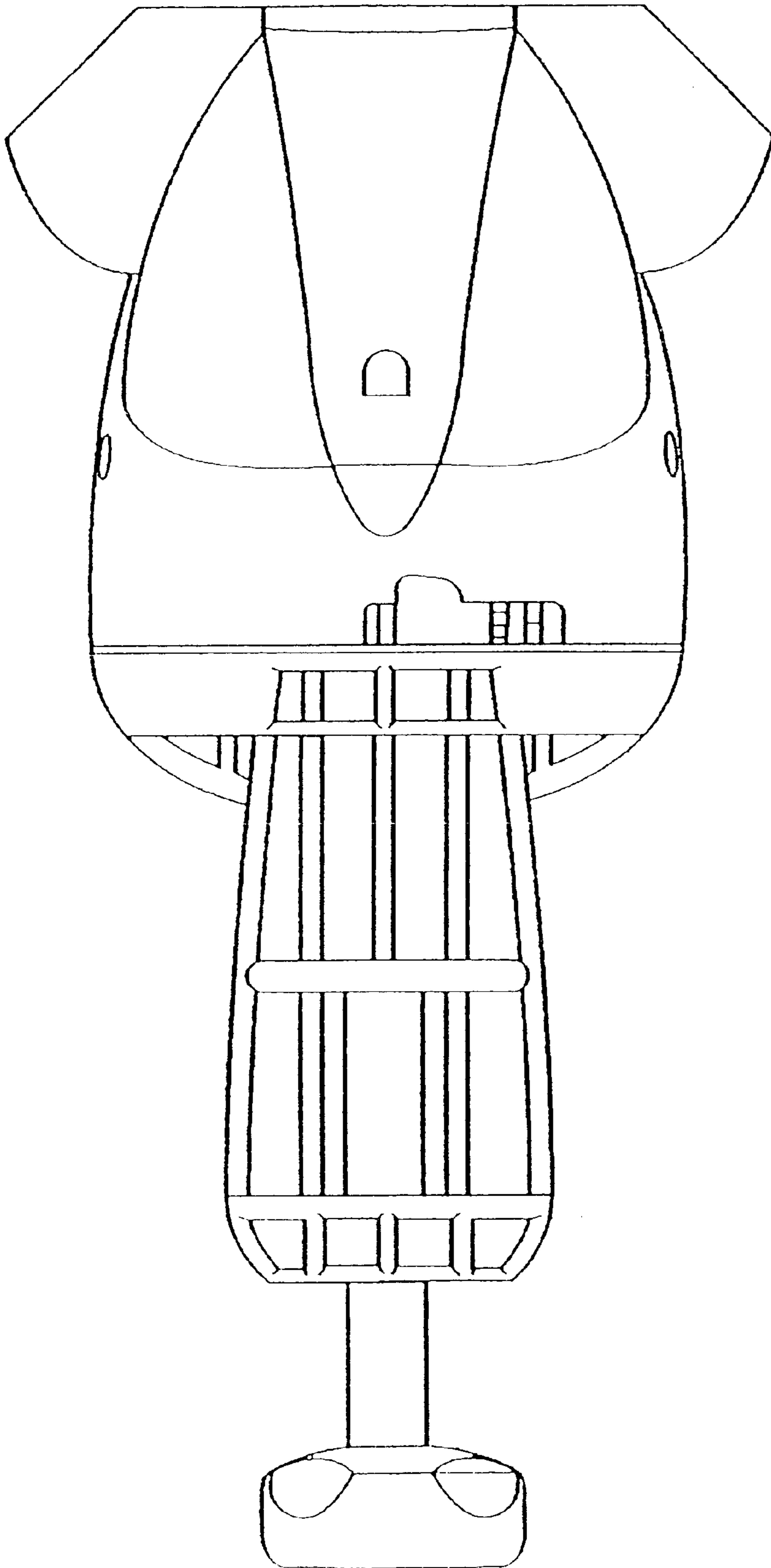


FIG. 7

UNITED STATES PATENT AND TRADEMARK OFFICE
CERTIFICATE OF CORRECTION

PATENT NO. : Des. 471,070 S
DATED : March 4, 2003
INVENTOR(S) : Paul Howell

Page 1 of 1

It is certified that error appears in the above-identified patent and that said Letters Patent is hereby corrected as shown below:

Title page,

Item [30], **Foreign Application Priority Data**, delete "Mar. 6, 2000" and substitute -- September 5, 2000 -- in its place.

Signed and Sealed this

Nineteenth Day of August, 2003

A handwritten signature in black ink, appearing to read "James E. Rogan", with a horizontal line drawn underneath it.

JAMES E. ROGAN
Director of the United States Patent and Trademark Office