



US00D471067S

(12) **United States Design Patent**
Coburn et al.

(10) **Patent No.:** **US D471,067 S**

(45) **Date of Patent:** **** Mar. 4, 2003**

(54) **RASP CARRIER**
(75) Inventors: **Richard David Blair Coburn**, Ottawa (CA); **Abdul Aziz**, Kanata (CA); **Michael T. O'Malley**, Appleton (CA)

5,100,506 A 3/1992 Sturtevant et al.
5,349,969 A 9/1994 Price
5,823,719 A 10/1998 Tyler
5,997,221 A 12/1999 Sadler
D429,989 S * 8/2000 Rivera D8/105

(73) Assignee: **Lee Valley Tools Ltd.**, Ottawa (CA)

(**) Term: **14 Years**

(21) Appl. No.: **29/147,338**

(22) Filed: **Aug. 27, 2001**

(51) **LOC (7) Cl.** **07-04**

(52) **U.S. Cl.** **D7/669; D7/678**

(58) **Field of Search** D7/368, 669, 678,
D7/693; 241/95, 168, 169.1, 273.1-273.4,
101.2, 301, 285.2; 248/687; 407/29.1, 29.11-29.15;
D8/90, 94

FOREIGN PATENT DOCUMENTS

GB 1034432 6/1966

* cited by examiner

Primary Examiner—Terry A. Wallace

(74) *Attorney, Agent, or Firm*—Kilpatrick Stockton LLP;
John S. Pratt; Kristin L. Johnson

(57) **CLAIM**

The ornamental design for a rasp carrier, as shown and described.

DESCRIPTION

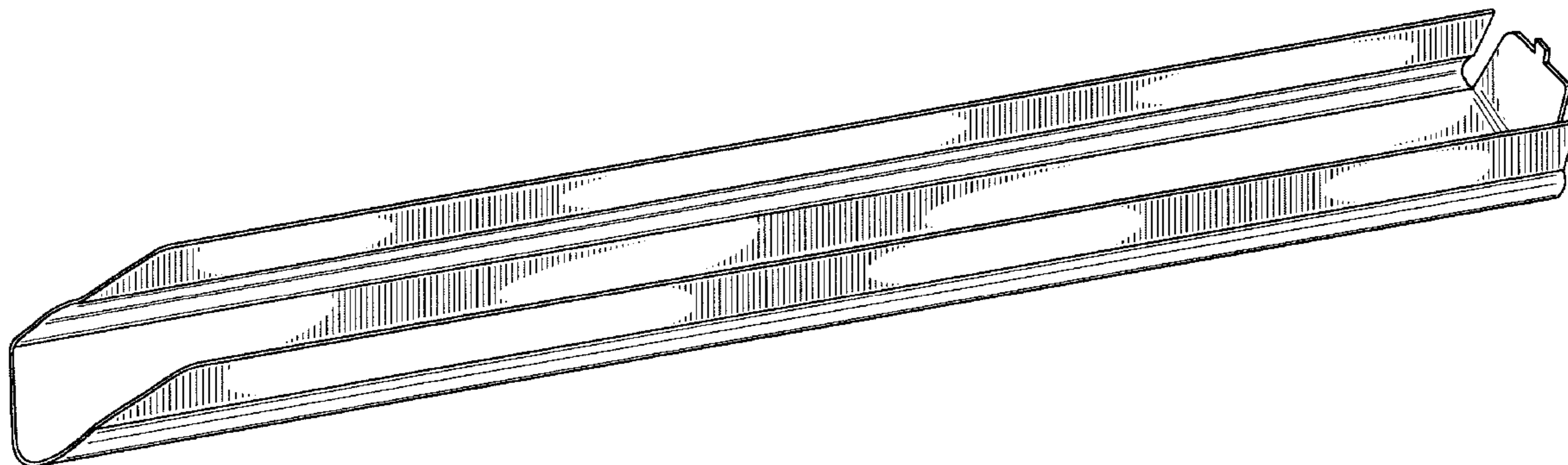
FIG. 1 is a perspective view of the rasp carrier.
FIG. 2 is a side elevation view of the rasp carrier of FIG. 1.
FIG. 3 is a front elevation view of the rasp carrier FIG. 1.
FIG. 4 is a back elevation view of the rasp carrier of FIG. 1.
FIG. 5 is a top plan view of the rasp carrier of FIG. 1.
FIG. 6 is a bottom plan view of the rasp carrier of FIG. 1;
and,
FIG. 7 is the perspective view of FIG. 1 showing a rasp positioned on the carrier.
The broken lines are for illustrative purposes only and form no part of the claimed design.

(56) **References Cited**

U.S. PATENT DOCUMENTS

643,717 A 2/1900 Ingalsbe
1,076,071 A 10/1913 Smith
2,645,002 A 7/1953 Dailey et al.
2,833,025 A 5/1958 Crawford
2,839,817 A 6/1958 Huxtable et al.
3,501,821 A 3/1970 Ford
3,606,709 A * 9/1971 Countryman 407/29.15 X
3,887,973 A 6/1975 Coon
4,537,207 A 8/1985 Gilhaus
4,587,868 A * 5/1986 Kuwica 407/29.15

1 Claim, 3 Drawing Sheets



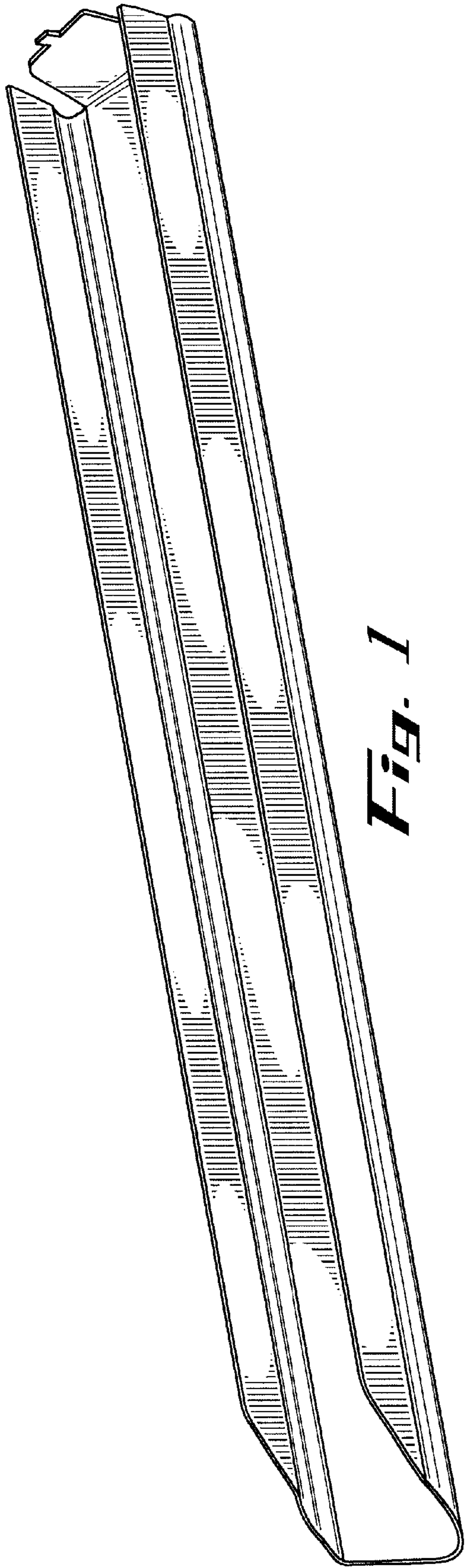


Fig. 1

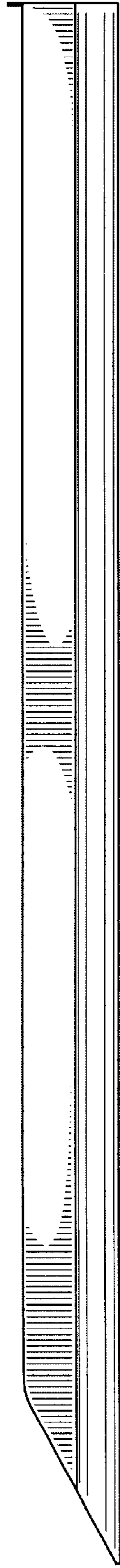


Fig. 2

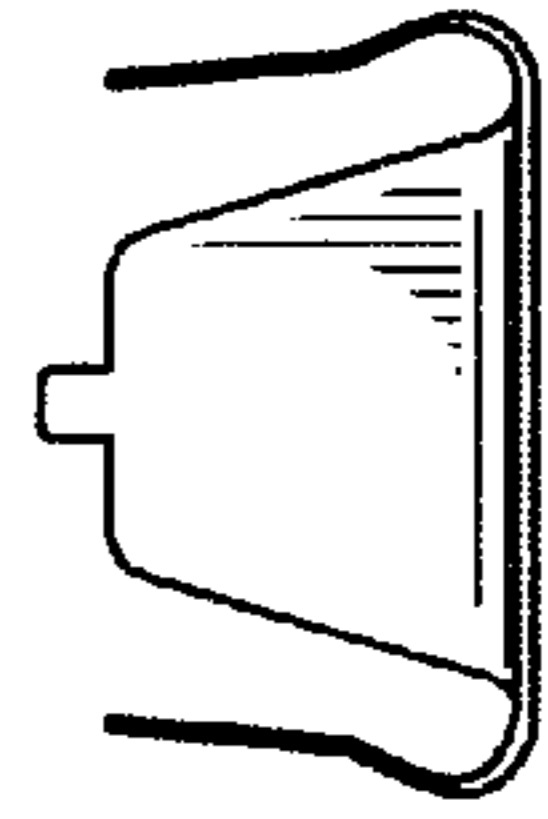


Fig. 3

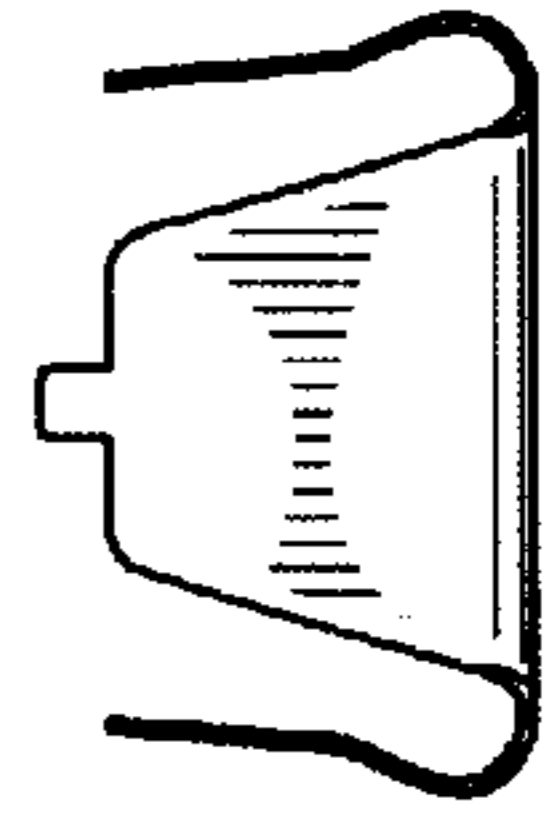


Fig. 4

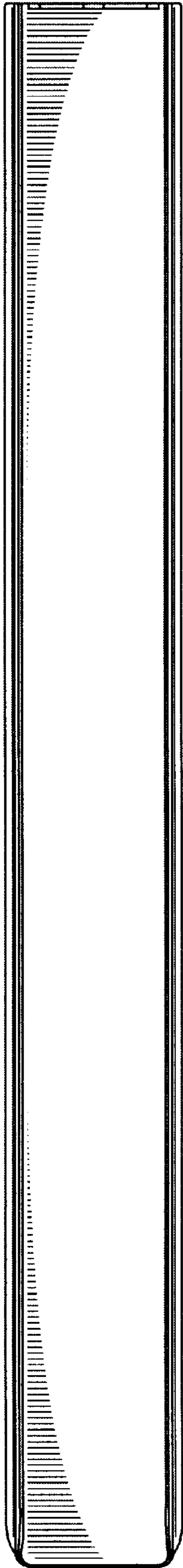


Fig. 5

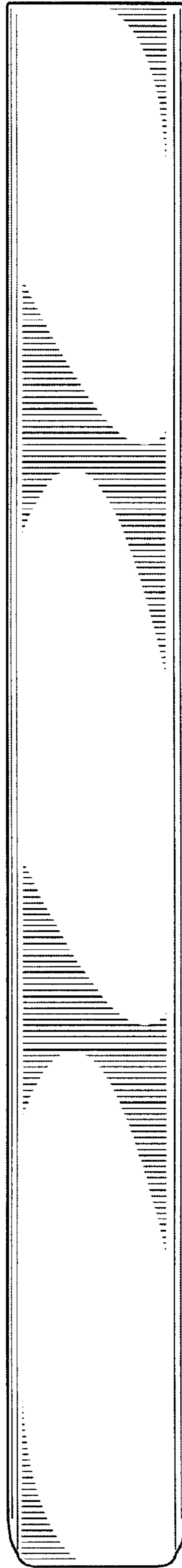


Fig. 6

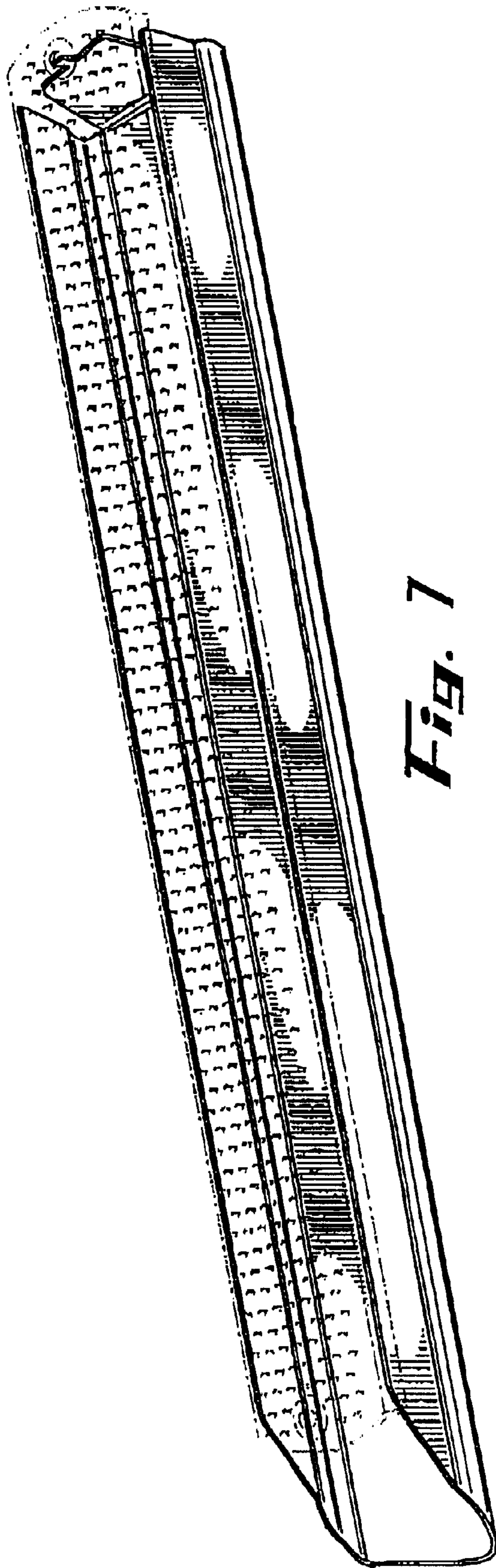


Fig. 7