



US00D471063S

(12) **United States Design Patent**  
**Pai**

(10) **Patent No.:** **US D471,063 S**

(45) **Date of Patent:** **\*\* Mar. 4, 2003**

(54) **ROASTER STAND**

(76) **Inventor:** **Lucas Pai**, 8 Fl.-2, No. 160, Sec. 1,  
Chung-Kang Rd., Taichung (TW)

(\*\*) **Term:** **14 Years**

(21) **Appl. No.:** **29/157,791**

(22) **Filed:** **Mar. 26, 2002**

(51) **LOC (7) Cl.** ..... **07-02**

(52) **U.S. Cl.** ..... **D7/403; D34/12**

(58) **Field of Search** ..... D7/402, 403, 404,  
D7/332-337; 126/25 R, 25 A, 25 AA, 41 R,  
38, 37, 9 R; 99/419, 421 R; D34/5, 14,  
17, 23, 12, 24, 26; 280/47.34, 47.35; 248/129,  
370, 372.1, 163.1, 176.1, 176.2

(56) **References Cited**

**U.S. PATENT DOCUMENTS**

D165,516 S	*	12/1951	Eging	.....	D34/26
D173,596 S	*	11/1954	Tunstead	.....	D34/24
D206,116 S	*	11/1966	Hughes	.....	D34/14
D210,360 S	*	3/1968	Gerakos	.....	D34/24
5,192,092 A	*	3/1993	DiBenedetto	.....	280/654

5,340,136 A	*	8/1994	MacNeil et al.	.....	280/47.2
5,388,854 A	*	2/1995	Kappaz	.....	280/47.19
D367,251 S	*	2/1996	Ahlberg et al.	.....	D12/129
6,120,053 A	*	9/2000	DeAngelis	.....	280/641
D444,279 S	*	6/2001	Kristiansen et al.	.....	D34/12

\* cited by examiner

*Primary Examiner*—Ruth McInroy

(74) *Attorney, Agent, or Firm*—Alan D. Kamrath; Rider,  
Bennett, Egan & Arundel

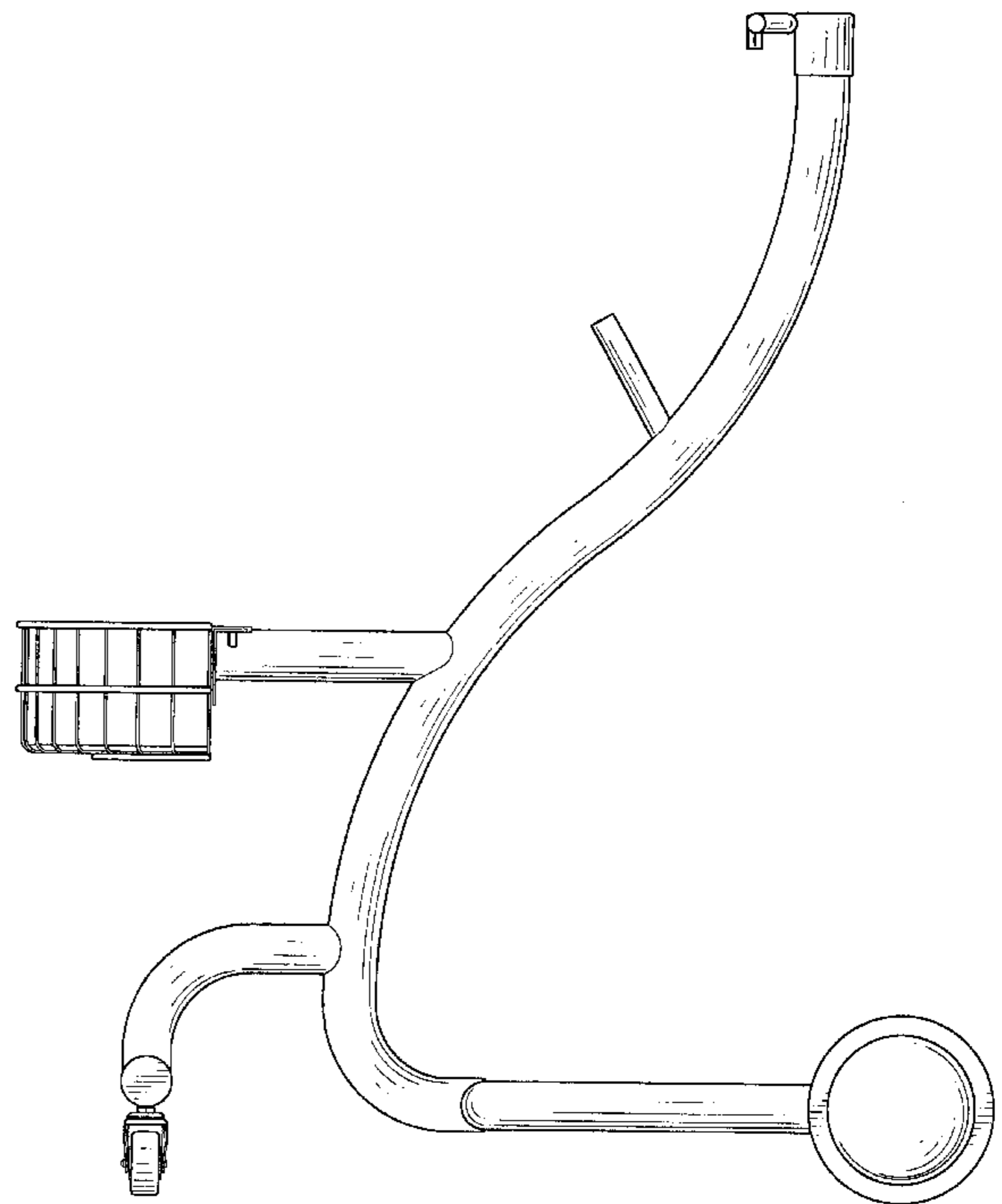
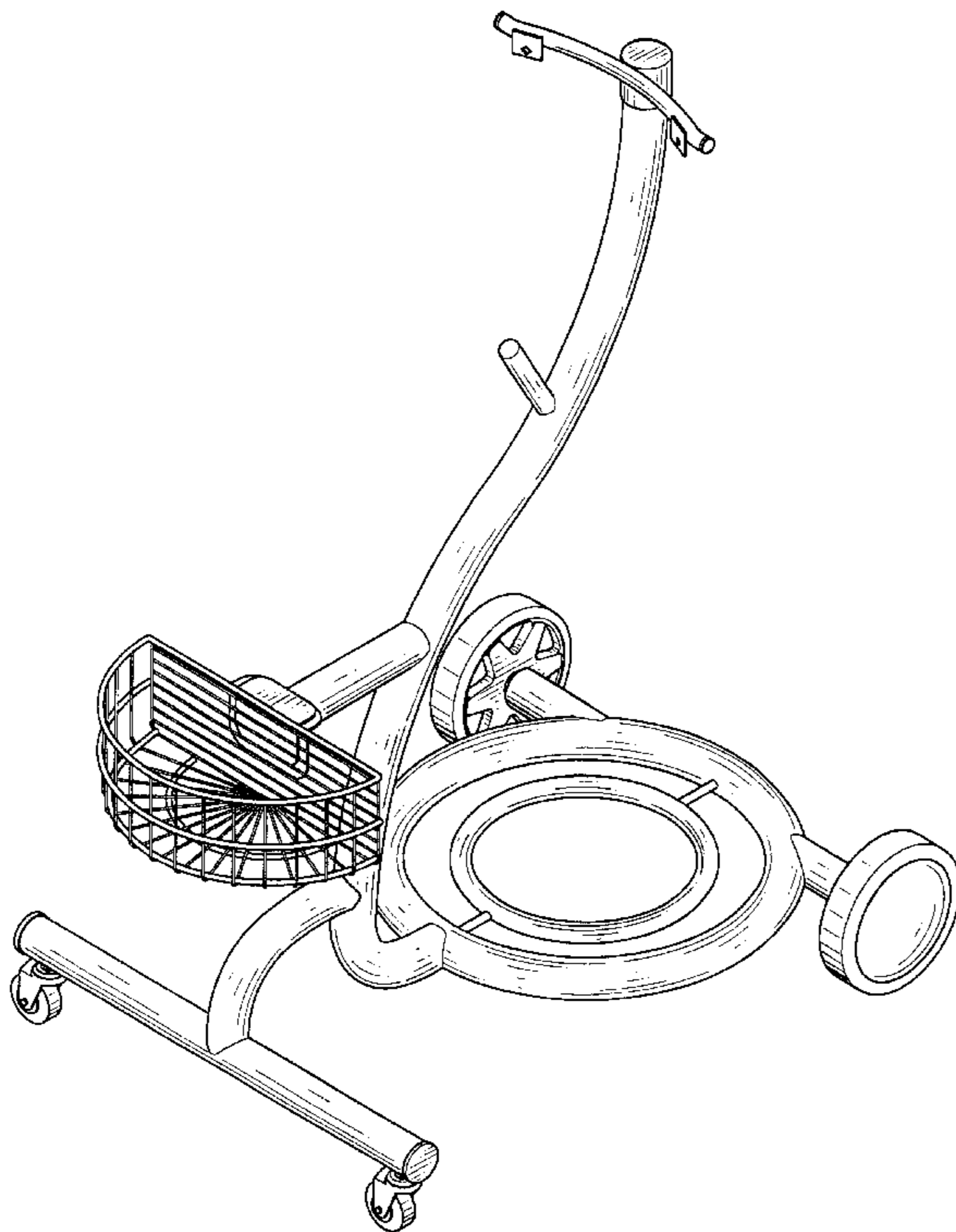
(57) **CLAIM**

The ornamental design for a roaster stand, as shown.

**DESCRIPTION**

FIG. 1 is a perspective view of a roaster stand showing my new design;  
FIG. 2 is a front elevational view thereof;  
FIG. 3 is a rear elevational view thereof;  
FIG. 4 is a left side view thereof;  
FIG. 5 is a right side view thereof;  
FIG. 6 is a top plain view thereof; and,  
FIG. 7 is a bottom plain view thereof.

**1 Claim, 7 Drawing Sheets**



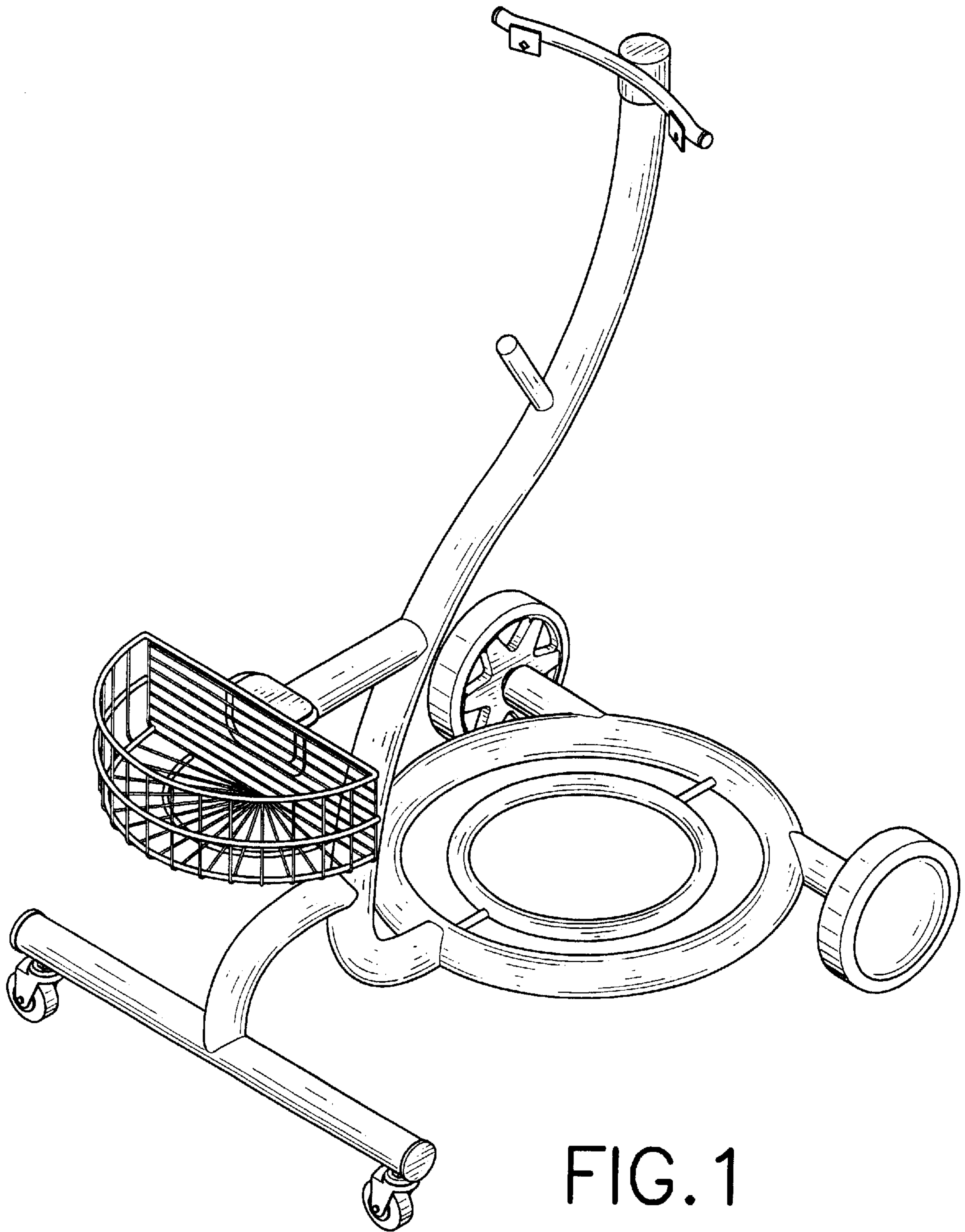


FIG. 1

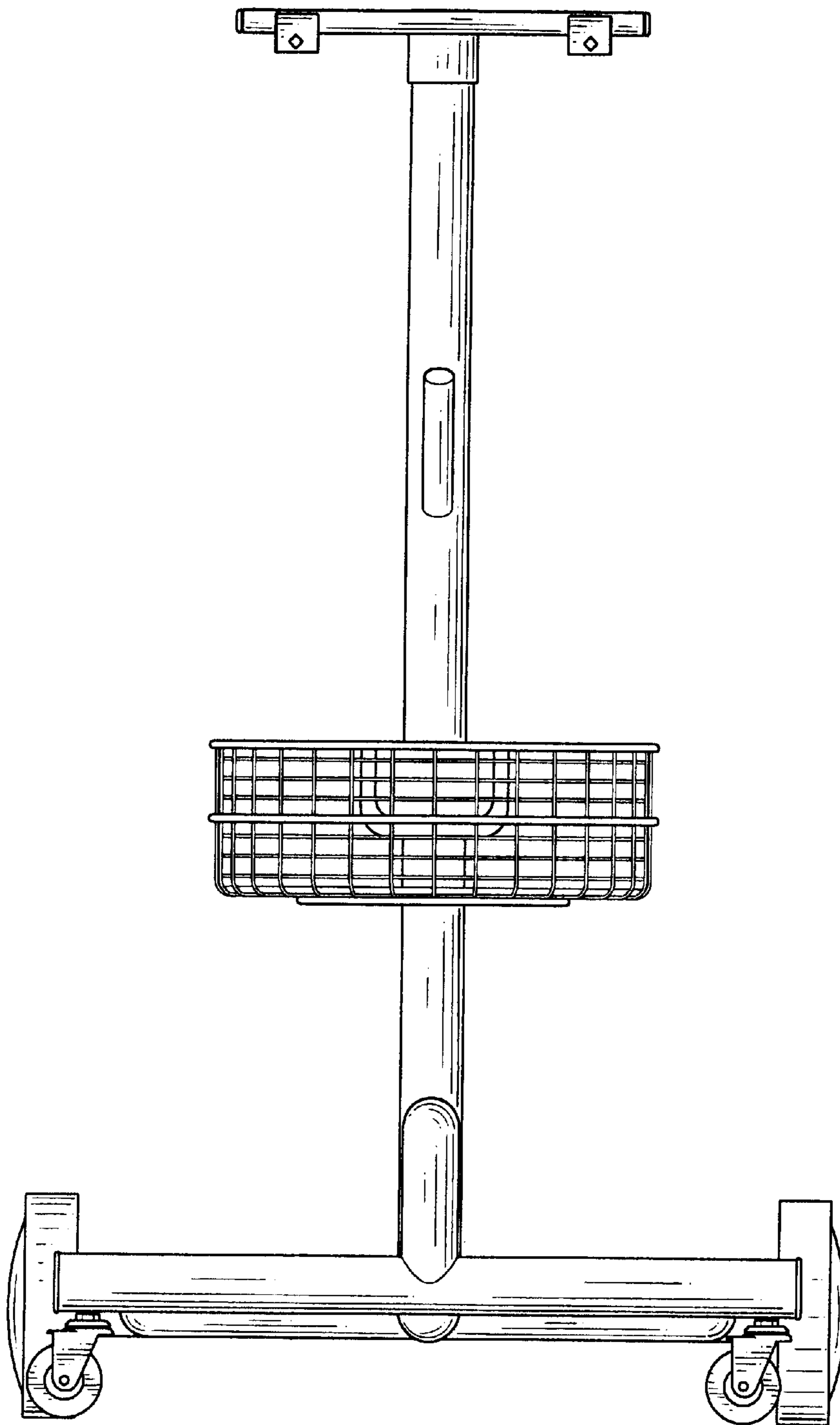


FIG.2

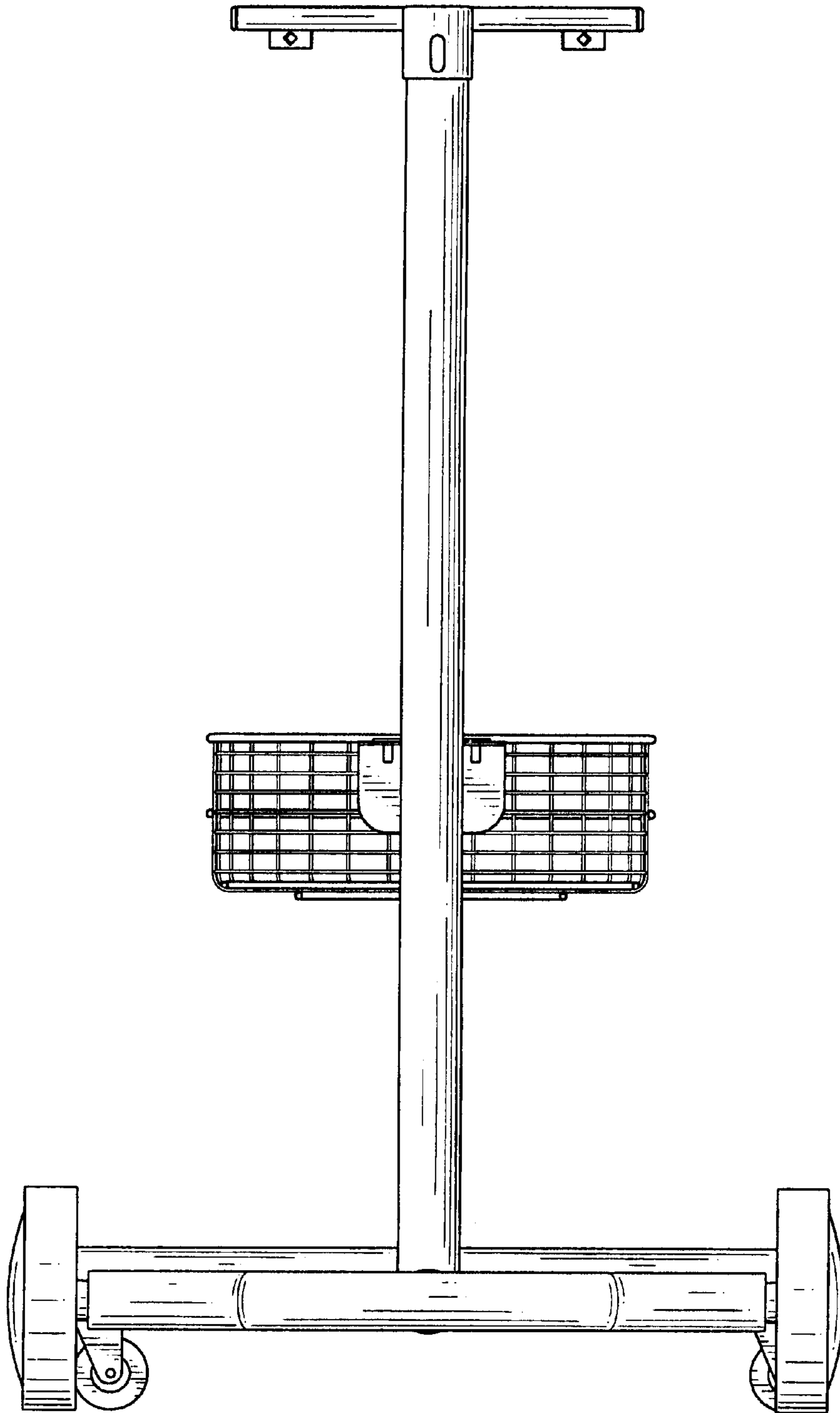


FIG. 3

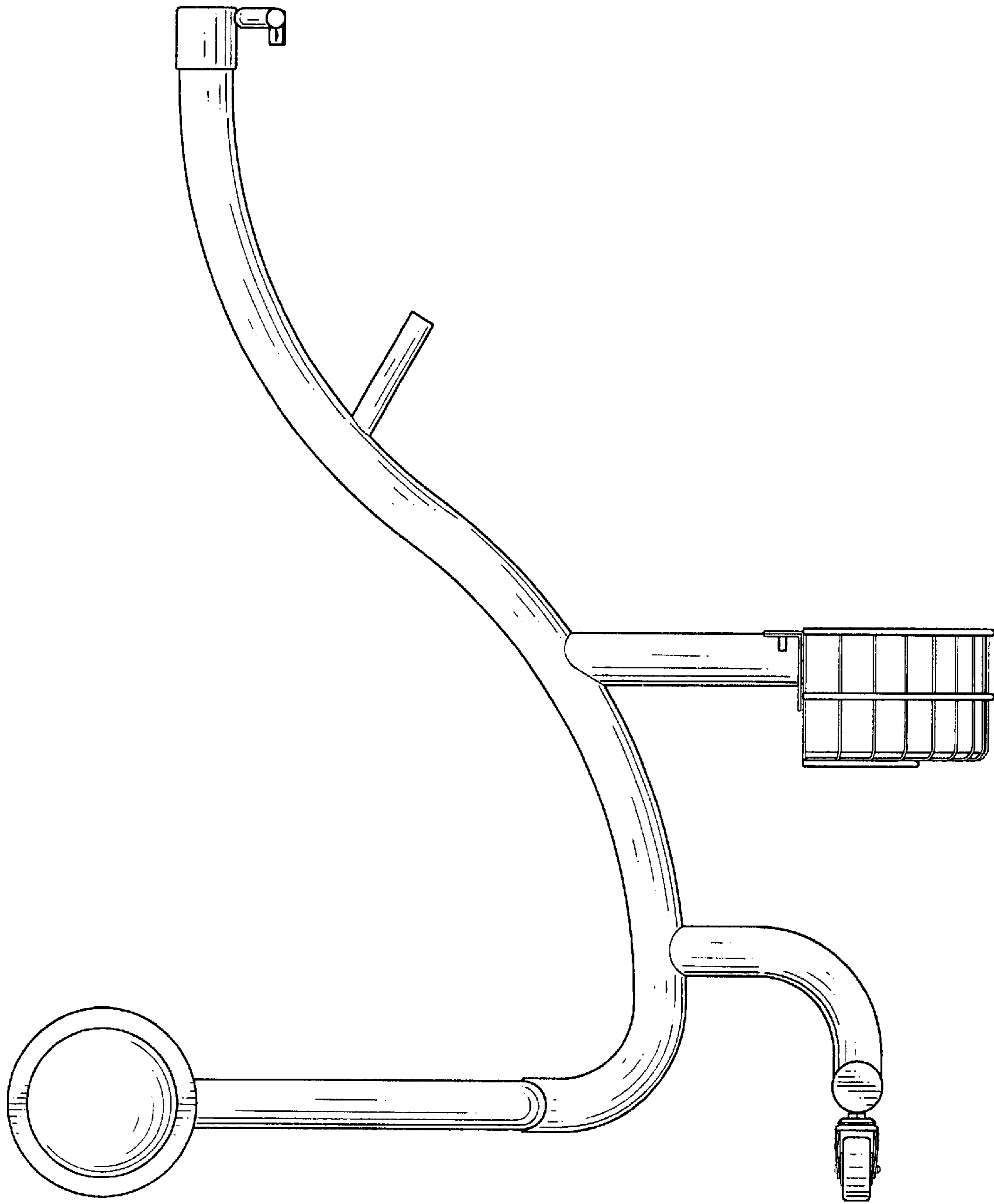


FIG. 4



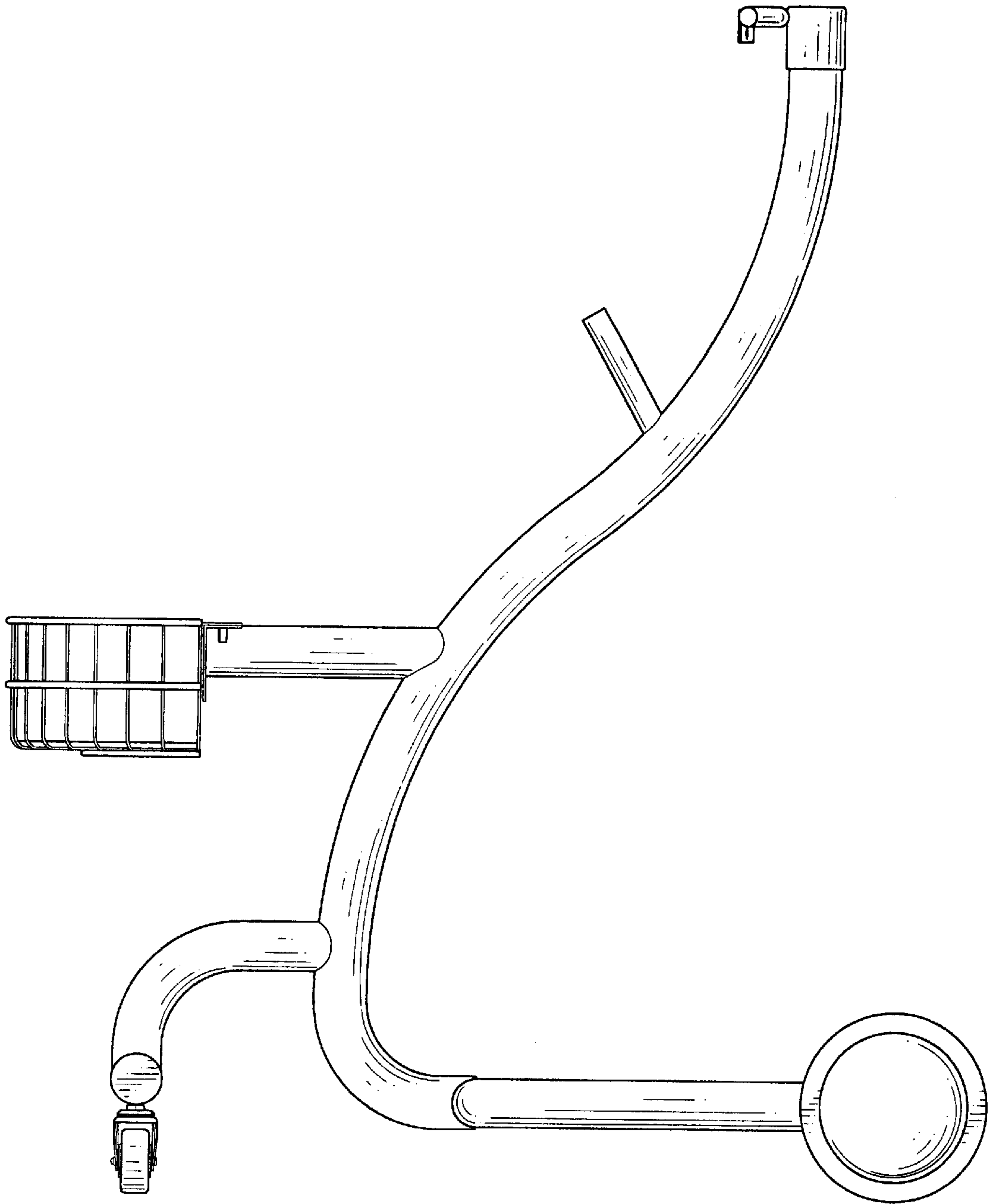


FIG. 5

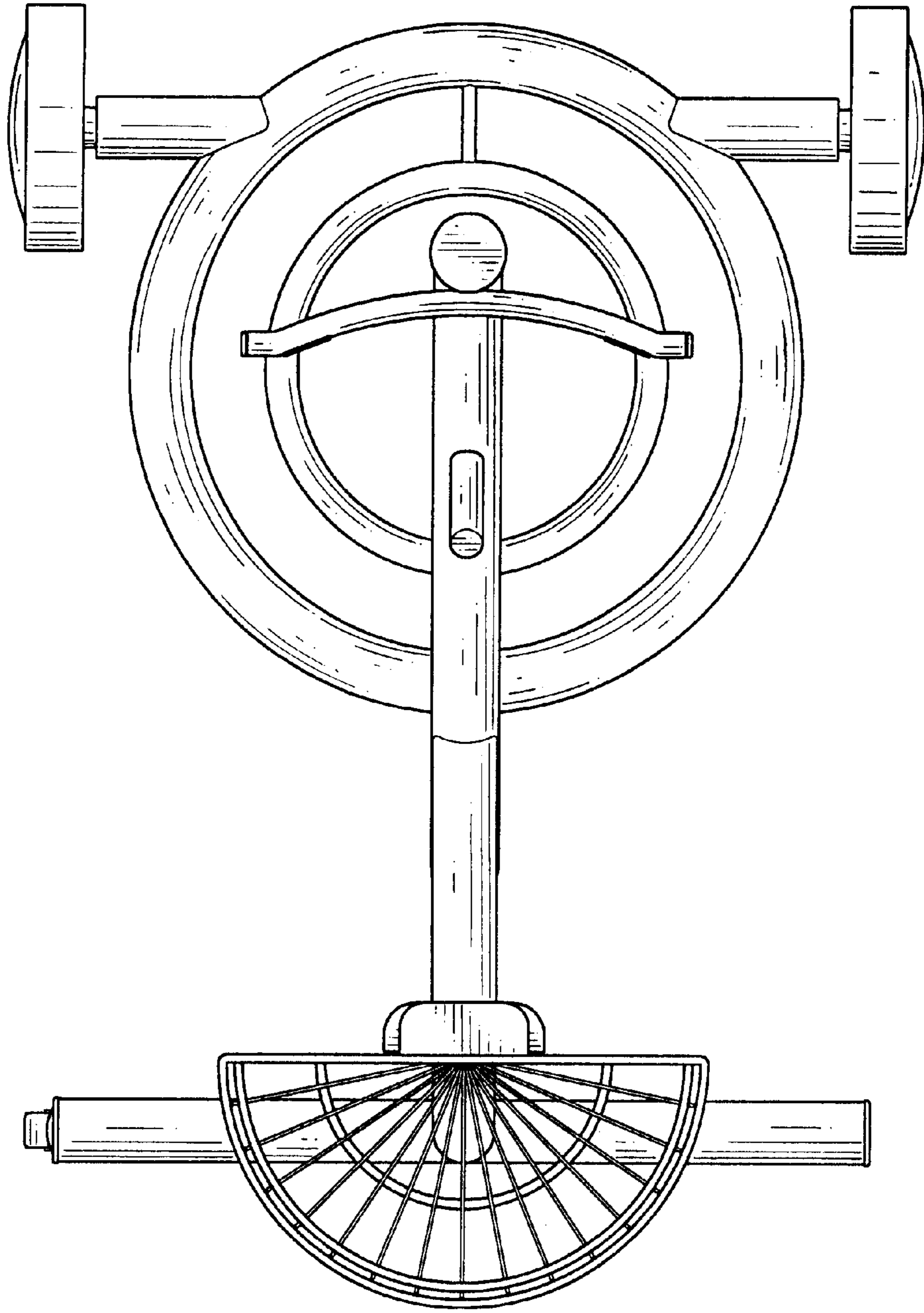


FIG. 6

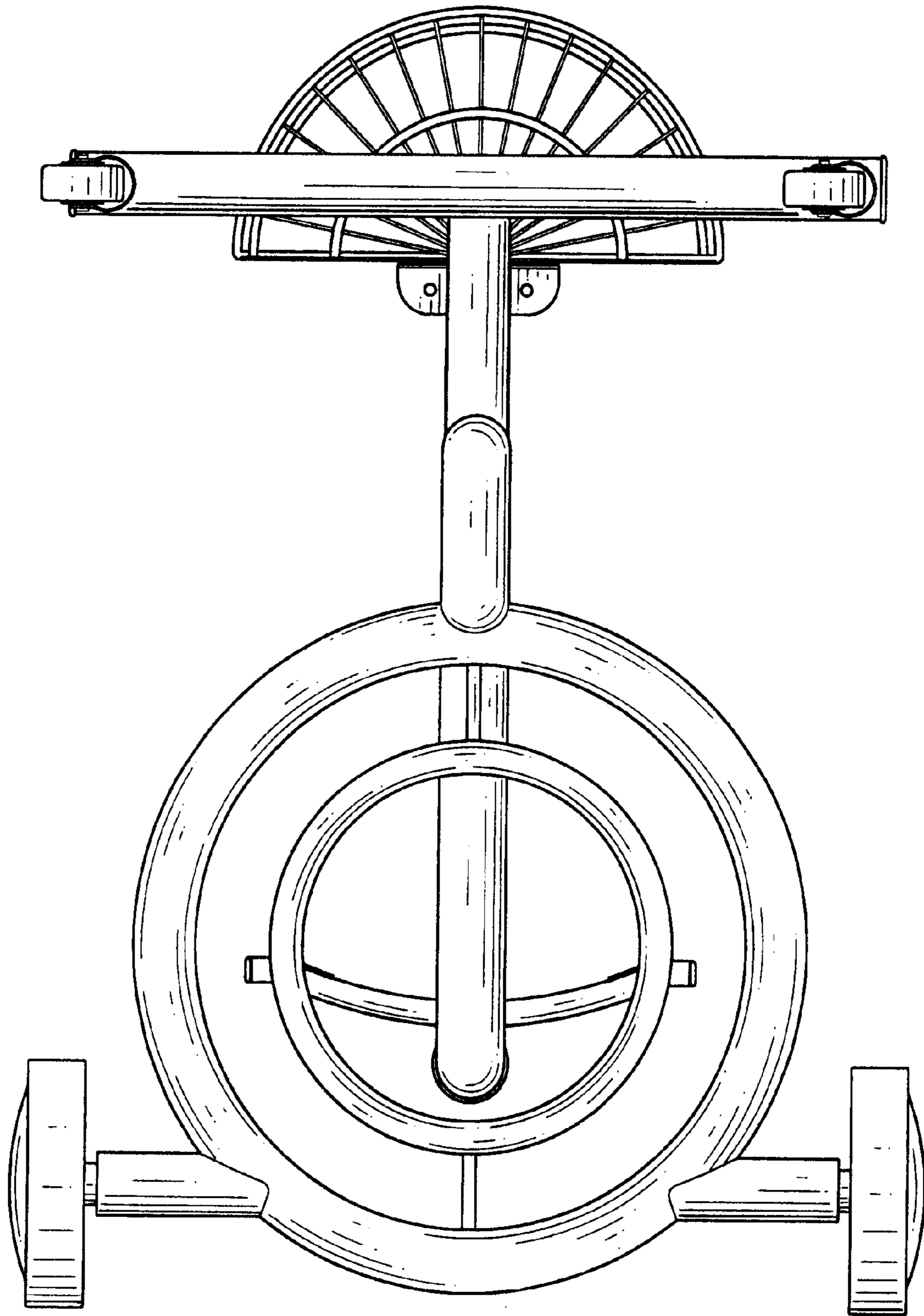


FIG. 7