



US00D471062S

(12) **United States Design Patent**
Omdoll

(10) **Patent No.:** **US D471,062 S**

(45) **Date of Patent:** **** Mar. 4, 2003**

(54) **LID FOR CONDIMENT DISPENSER**

(75) Inventor: **Paul A. Omdoll**, Waukesha, WI (US)

(73) Assignee: **The Colman Group, Inc.**, Elkhorn, WI (US)

(**) Term: **14 Years**

(21) Appl. No.: **29/138,268**

(22) Filed: **Mar. 9, 2001**

(51) **LOC (7) Cl.** **07-01**

(52) **U.S. Cl.** **D7/401.1**

(58) **Field of Search** D7/590, 629, 538-548,
D7/392.1, 392, 391, 401.1; 220/780-783,
792-799, 805; D9/434, 435, 424-432

(56) **References Cited**

U.S. PATENT DOCUMENTS

3,023,923 A * 3/1962 Geis et al. D9/423 X
3,401,817 A * 9/1968 Palson 220/626 X
D269,934 S * 8/1983 Hawkins et al. D7/590

OTHER PUBLICATIONS

Gourmet San Jamar Catalog; p. 22.

* cited by examiner

Primary Examiner—Terry A. Wallace

(74) *Attorney, Agent, or Firm*—Adam L. Brookman;
Godfrey & Kahn, S.C.

(57) **CLAIM**

The ornamental design of a lid for condiment dispenser, as shown and described.

DESCRIPTION

FIG. 1 is a perspective view of a lid for a condiment dispenser showing the new design in a partially open position with respect to a container;

FIG. 2 is a plan view of the lid for the condiment dispenser of FIG. 1 in a partially open position with respect to a container;

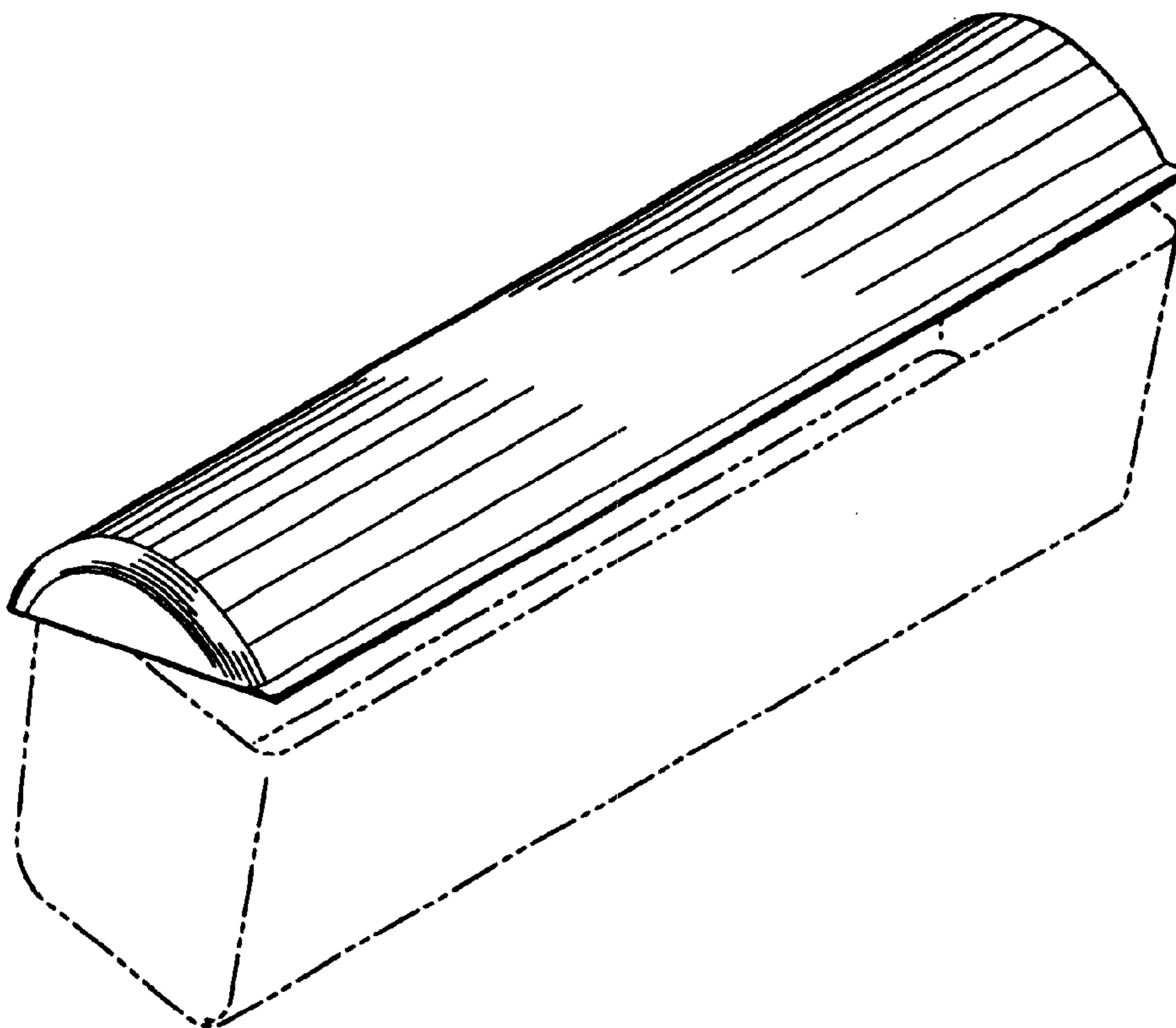
FIG. 3 is an side elevation view of the lid for the condiment dispenser of FIG. 1 in a partially open position with respect to a container; and,

FIG. 4 is a front elevation view of the lid for the condiment dispenser of FIG. 1.

The broken lines shown in the Figures are for illustrative purposes only and form no part of the claimed design.

The color in the Figures is not a feature of the design.

1 Claim, 1 Drawing Sheet



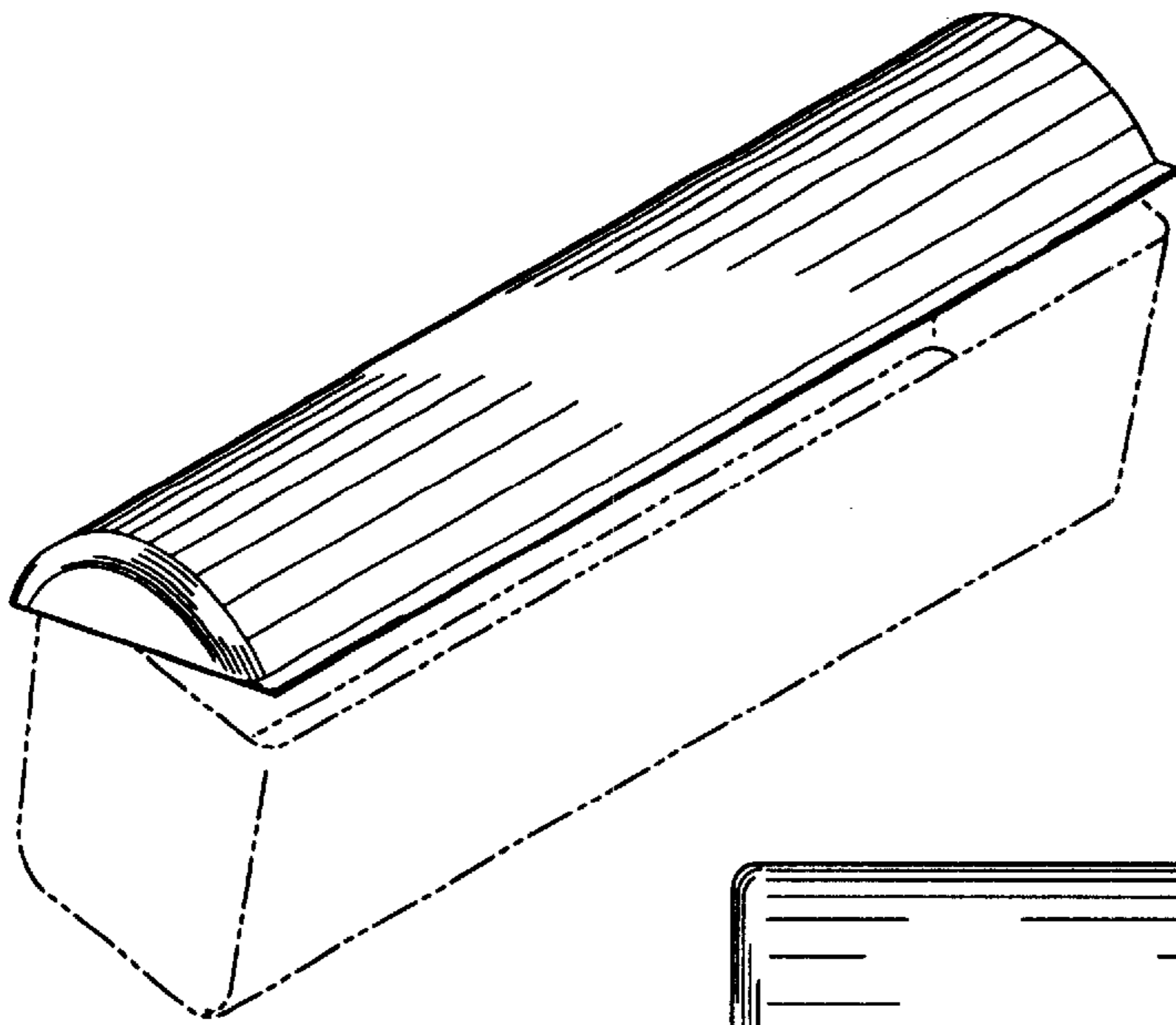


FIG. 1

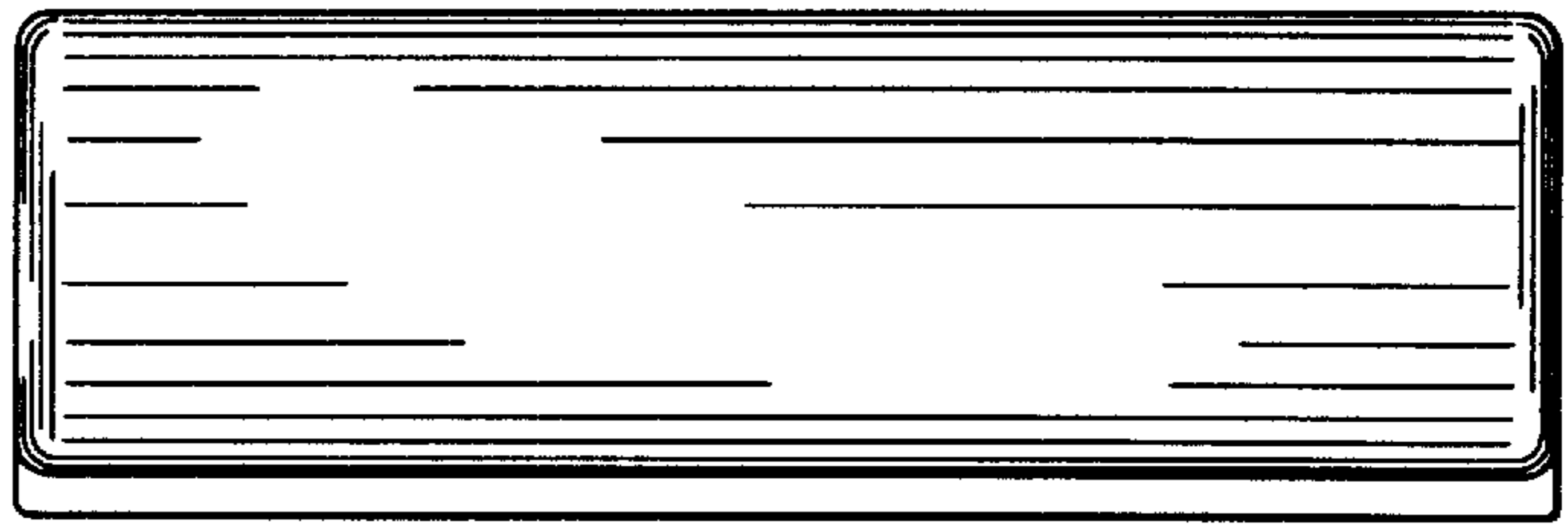


FIG. 2

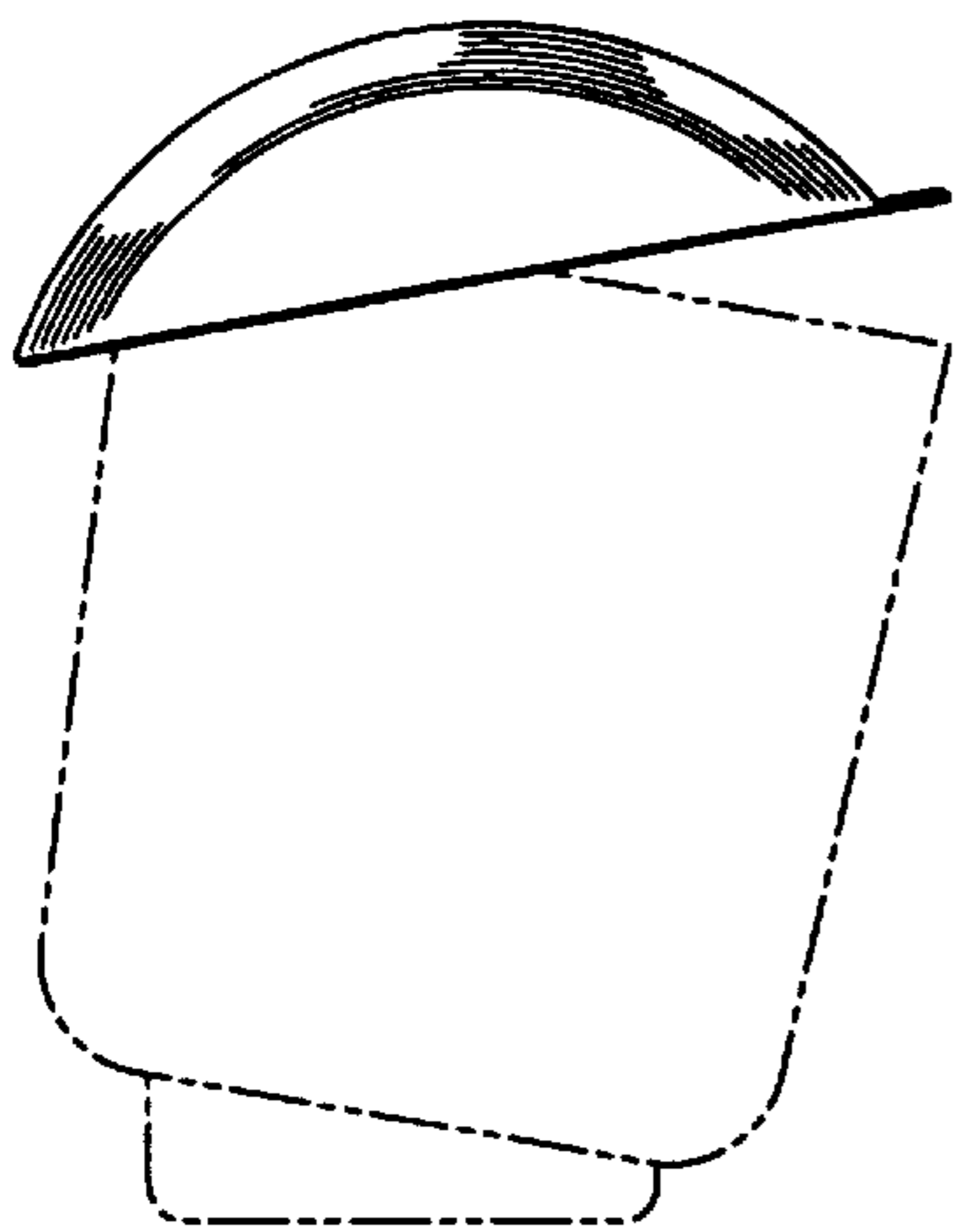


FIG. 3

FIG. 4

