



US00D471058S

(12) **United States Design Patent**
Burton et al.

(10) **Patent No.: US D471,058 S**

(45) **Date of Patent: ** *Mar. 4, 2003**

(54) **PAN RIM**
(75) Inventors: **Maximillian Philip Burton**, New York, NY (US); **Philipp Refior**, Brooklyn, NY (US)

(73) Assignee: **World Kitchen, Inc.**, Elmira, NY (US)

(*) Notice: This patent is subject to a terminal disclaimer.

(**) Term: **14 Years**

(21) Appl. No.: **29/150,745**

(22) Filed: **Nov. 28, 2001**

(51) **LOC (7) Cl. 07-02**

(52) **U.S. Cl. D7/354**

(58) **Field of Search D7/323, 354-361; 220/573.1-573.5, 912, DIG. 13; 222/572**

(56) **References Cited**

U.S. PATENT DOCUMENTS

| | | | |
|-------------|----------|---------------|--------|
| 2,241,064 A | 5/1941 | Harbison | |
| 2,867,352 A | 1/1959 | Kawano | |
| 3,598,105 A | 8/1971 | Cristaldi | |
| 3,736,917 A | 6/1973 | Stepanek | |
| 3,797,694 A | 3/1974 | See et al. | |
| 3,937,359 A | 2/1976 | Stockton, Jr. | |
| 4,285,441 A | 8/1981 | Ziskind | |
| 4,390,113 A | 6/1983 | Bird | |
| 4,670,398 A | 6/1987 | Song | |
| 4,736,867 A | 4/1988 | Feimer et al. | |
| 4,917,262 A | 4/1990 | Mita | |
| 5,065,889 A | 11/1991 | Conti | |
| D328,996 S | * 9/1992 | Gerlach | D7/361 |
| D332,549 S | * 1/1993 | Gerlach | D7/360 |
| 5,201,264 A | 4/1993 | Thelen et al. | |
| 5,265,749 A | 11/1993 | Zutler | |
| 5,387,781 A | 2/1995 | Berkoff | |

| | | | | |
|--------------|---|---------|-----------------|---------|
| 5,388,732 A | * | 2/1995 | Greger | 222/572 |
| 5,622,274 A | | 4/1997 | Bright | |
| 5,653,881 A | | 8/1997 | Bruss et al. | |
| 5,724,885 A | | 3/1998 | Uy | |
| RE36,072 E | | 2/1999 | Uy | |
| 6,006,939 A | | 12/1999 | Wai | |
| 6,244,251 B1 | | 6/2001 | Wada et al. | |
| 6,289,795 B1 | | 9/2001 | McLemore et al. | |
| 6,298,681 B1 | | 10/2001 | Esty et al. | |
| 6,307,193 B1 | | 10/2001 | Toole | |

OTHER PUBLICATIONS

Website, www.goldaskichen.com, 2 pp. Casserole—2.5 qt.—Vented; by Norpro—Krona; date unknown.

Website, www.thekitchenook.com, 1 page Vented casserole pot by Krona date unknown.

* cited by examiner

Primary Examiner—Caron D. Veynar

(74) *Attorney, Agent, or Firm*—Wolf, Greenfield & Sacks, P.C.

(57) **CLAIM**

The ornamental design for a pan rim, as shown and described.

DESCRIPTION

FIG. 1 is a side, top, perspective view of the pan rim showing our new design;

FIG. 2 is a top view thereof;

FIG. 3 is a bottom view thereof;

FIG. 4 is a left side view thereof;

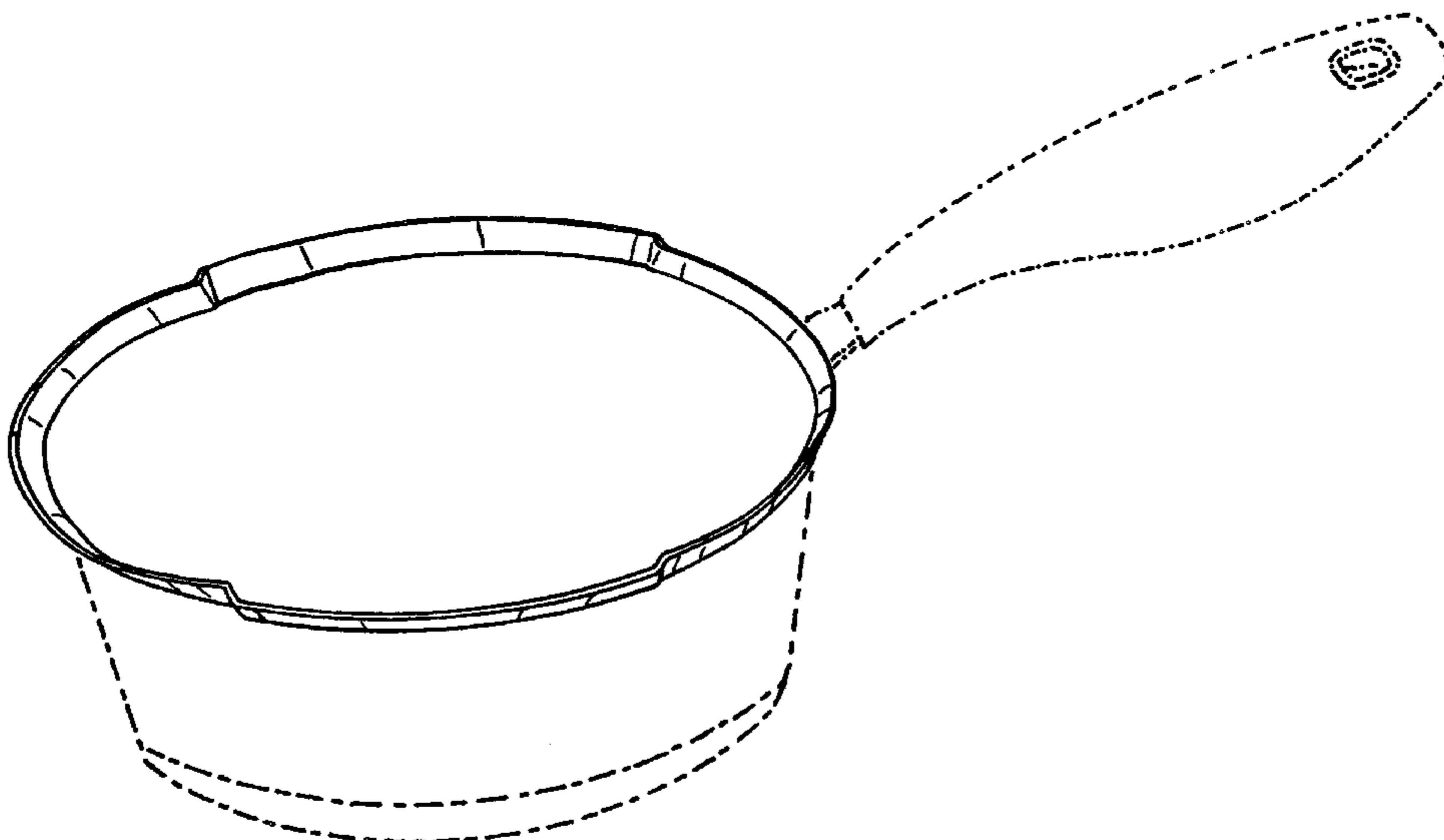
FIG. 5 is a right side view thereof;

FIG. 6 is a front view thereof; and,

FIG. 7 is a rear view thereof.

The broken lines showing a container and handle in FIGS. 1-7 are for illustrative purposes only and form no part of the claimed design.

1 Claim, 4 Drawing Sheets



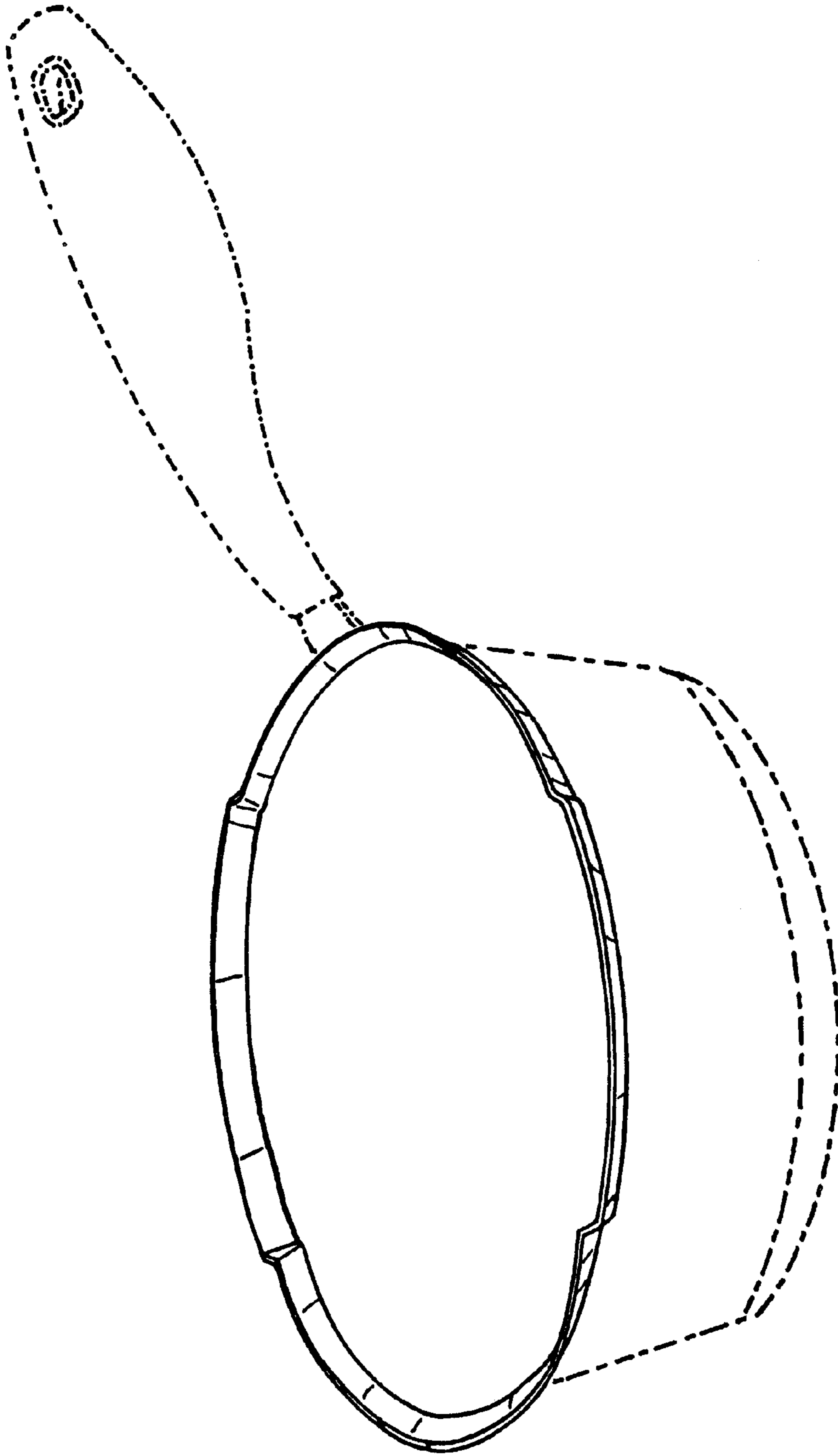


Fig. 1

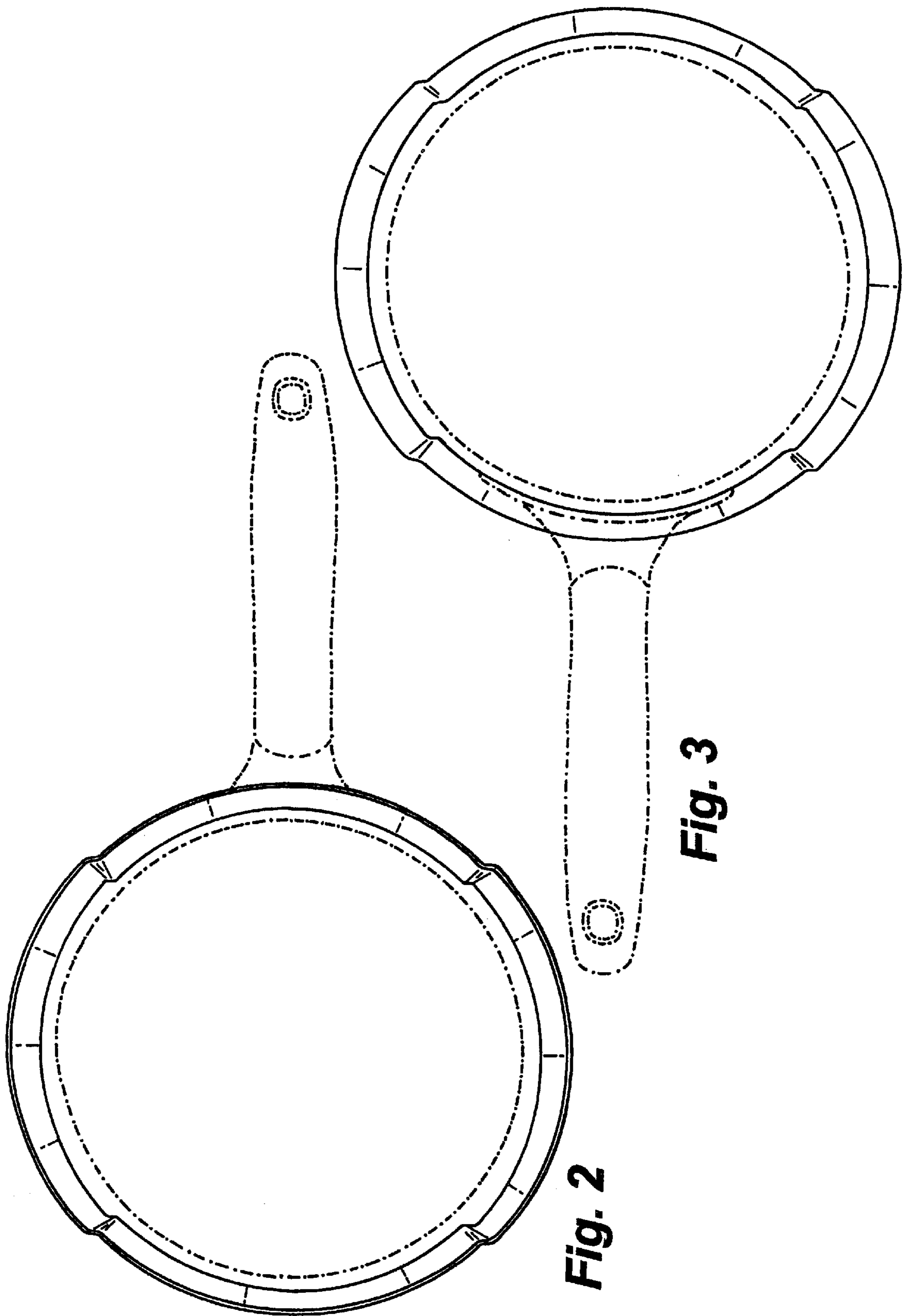


Fig. 2

Fig. 3

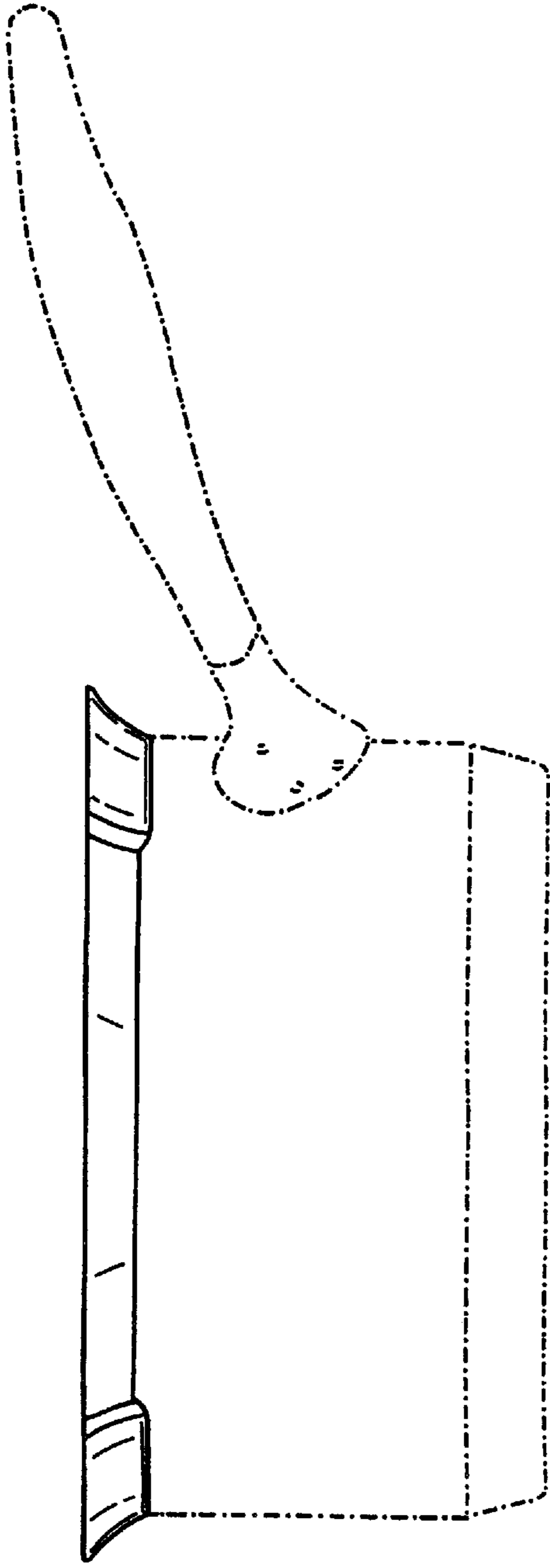


Fig. 4

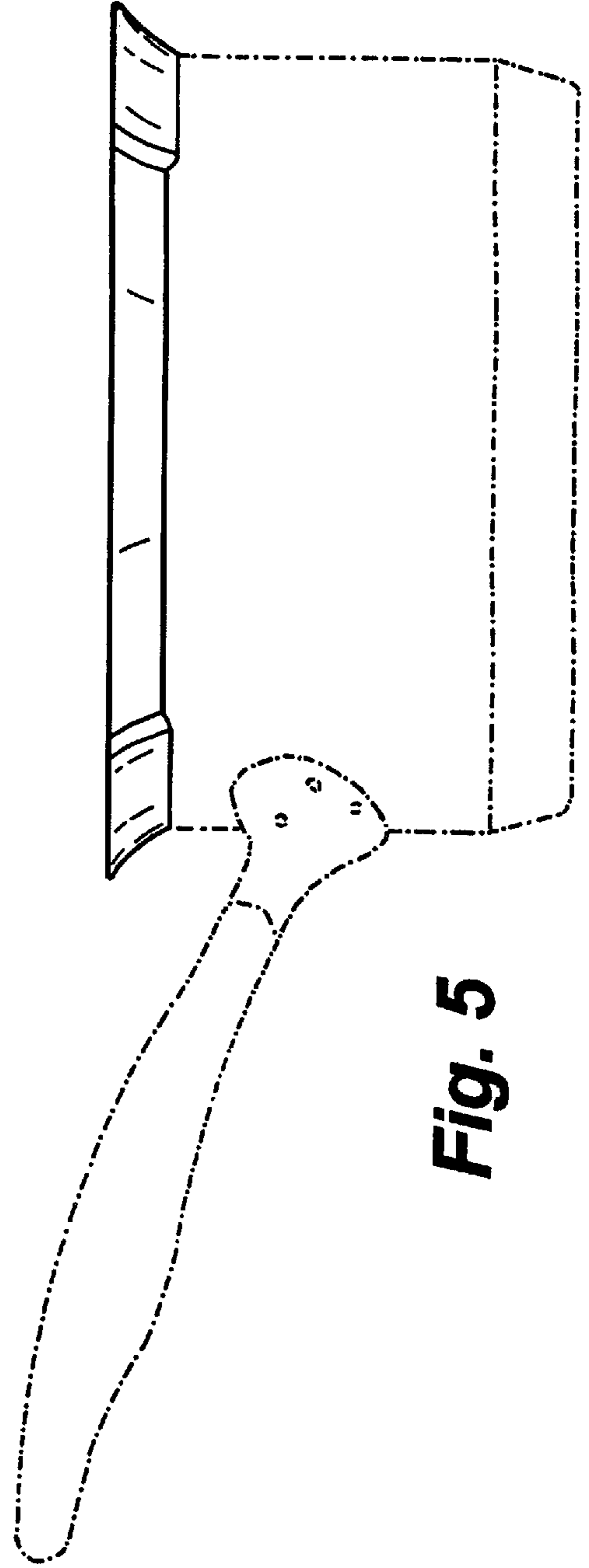


Fig. 5

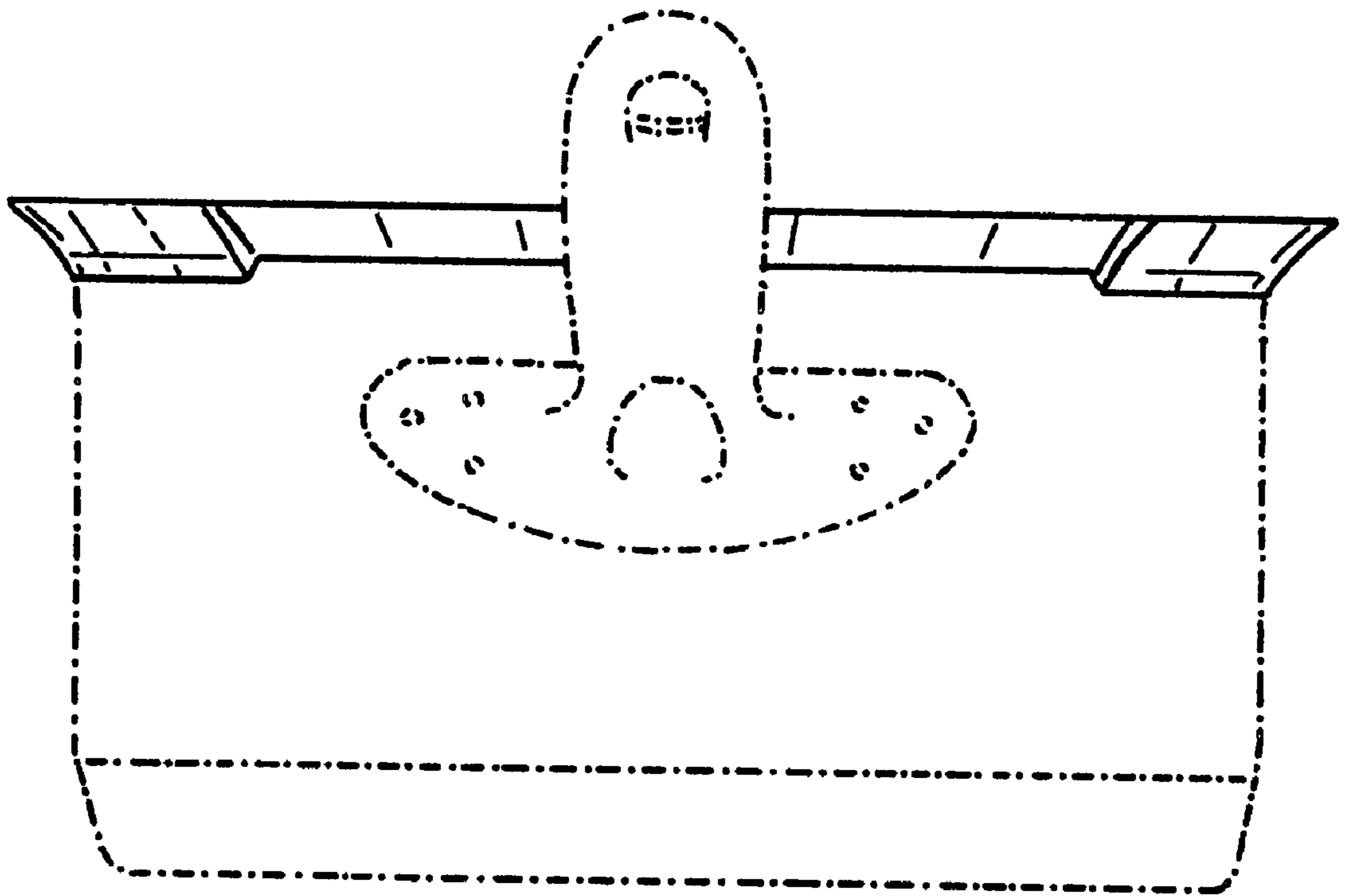


Fig. 6

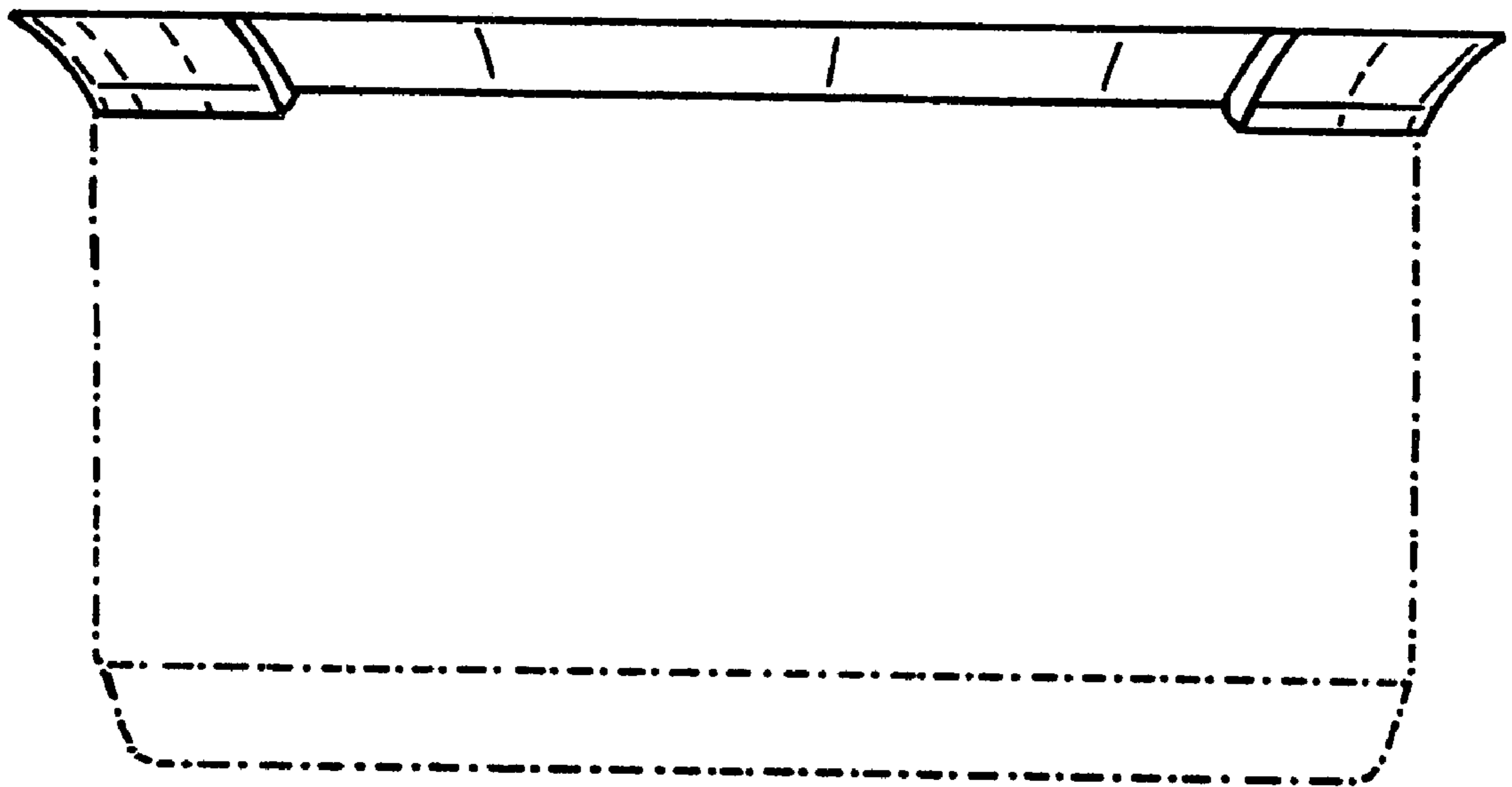


Fig. 7