



US00D471057S

(12) **United States Design Patent**  
**Chung**

(10) **Patent No.:** **US D471,057 S**

(45) **Date of Patent:** **\*\* Mar. 4, 2003**

(54) **ROASTER**

(75) Inventor: **Kiosky Chung**, Taiping (TW)

(73) Assignee: **Concept Innovation, Inc.**, Tortola (VG)

(\*\*) Term: **14 Years**

(21) Appl. No.: **29/164,740**

(22) Filed: **Jul. 30, 2002**

(51) **LOC (7) Cl.** ..... **07-02**

(52) **U.S. Cl.** ..... **D7/334**

(58) **Field of Search** ..... D7/332-337, 402-404;  
126/25 R, 8, 9 R, 38, 41 R, 268, 276; 99/339,  
421 R, 357

(56) **References Cited**

**U.S. PATENT DOCUMENTS**

- 4,677,964 A \* 7/1987 Lohmeyer et al. .... 126/41 R
- D293,067 S \* 12/1987 Stephen et al. .... D7/334
- 4,886,045 A \* 12/1989 Ducate, Jr. et al. .... 126/41 R
- D316,355 S \* 4/1991 Stephen et al. .... D7/334

- D404,963 S \* 2/1999 Schlosser et al. .... D7/334
- D454,276 S \* 3/2002 Pai ..... D7/334
- D461,359 S \* 8/2002 Coleman et al. .... D7/334
- D462,227 S \* 9/2002 Alden et al. .... D7/334

\* cited by examiner

*Primary Examiner*—Ruth McInroy

(74) *Attorney, Agent, or Firm*—Thorp Reed & Armstrong, LLP

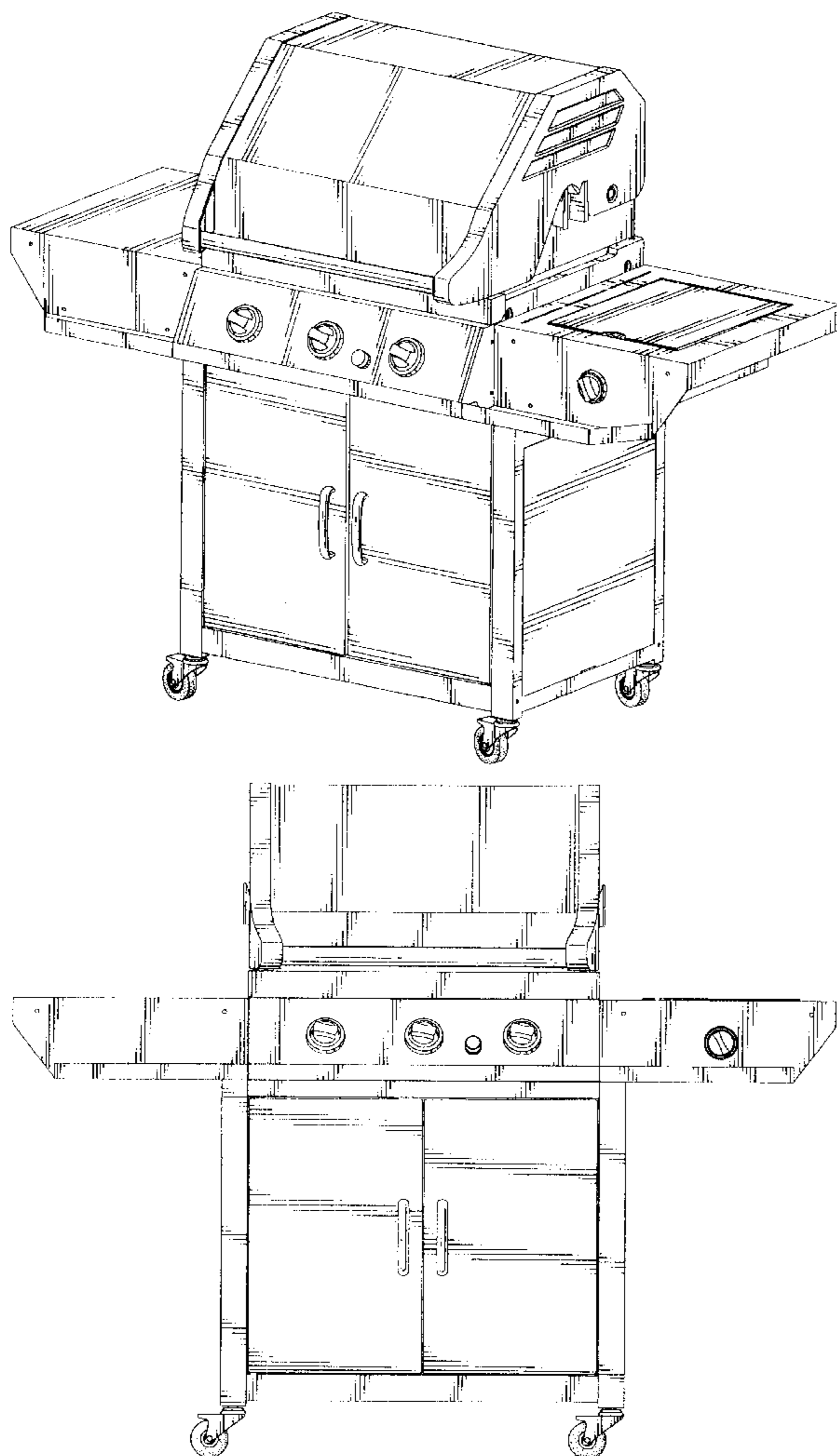
(57) **CLAIM**

The ornamental design for a roaster, as shown.

**DESCRIPTION**

FIG. 1 is a front-right-top perspective view of a roaster, showing my new design;  
 FIG. 2 is a front elevational view thereof;  
 FIG. 3 is a rear elevational view thereof;  
 FIG. 4 is a left side elevational view thereof;  
 FIG. 5 is a right side elevational view thereof;  
 FIG. 6 is a top plan view thereof; and,  
 FIG. 7 is a bottom plan view thereof.

**1 Claim, 6 Drawing Sheets**



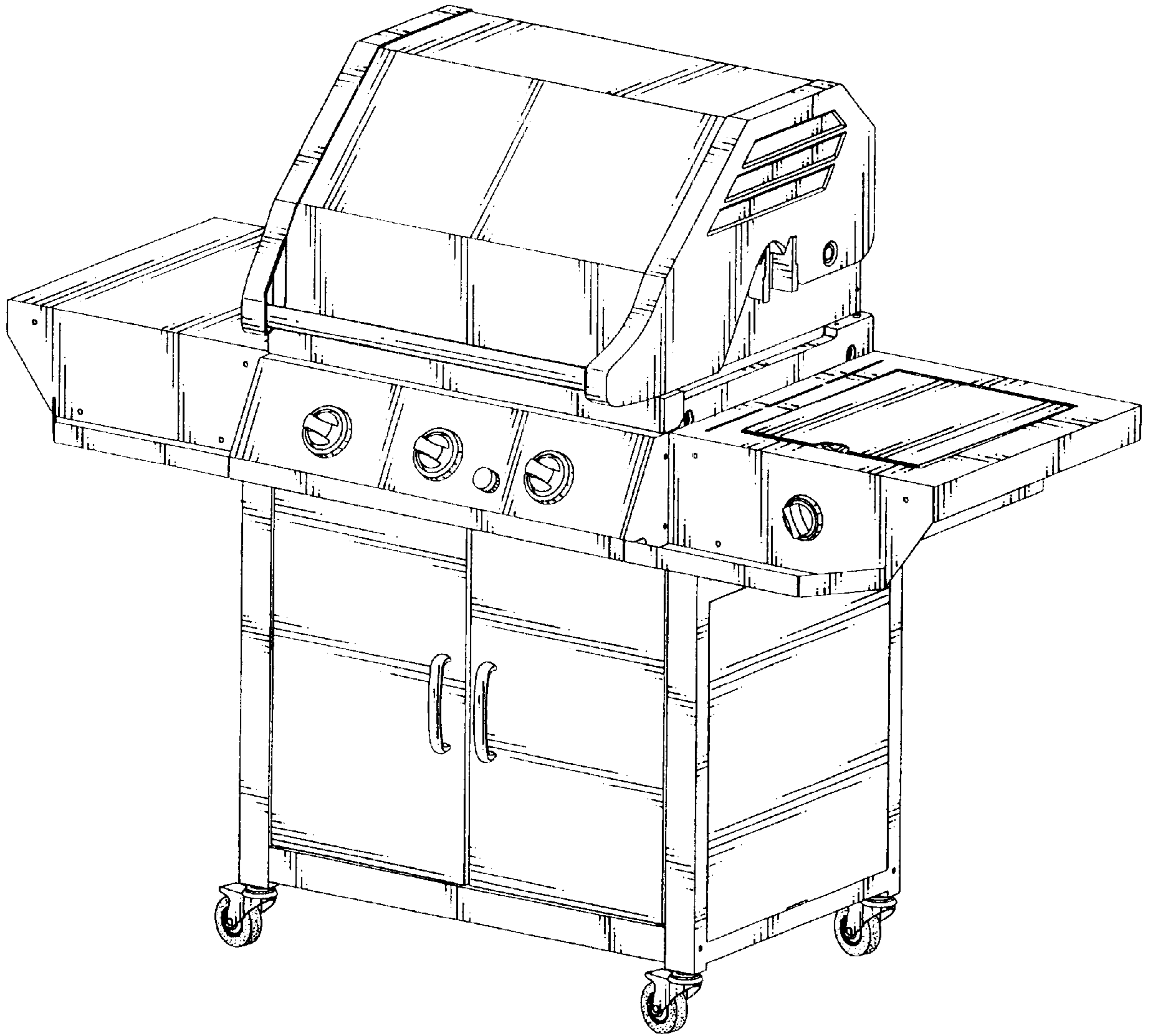


FIG. 1

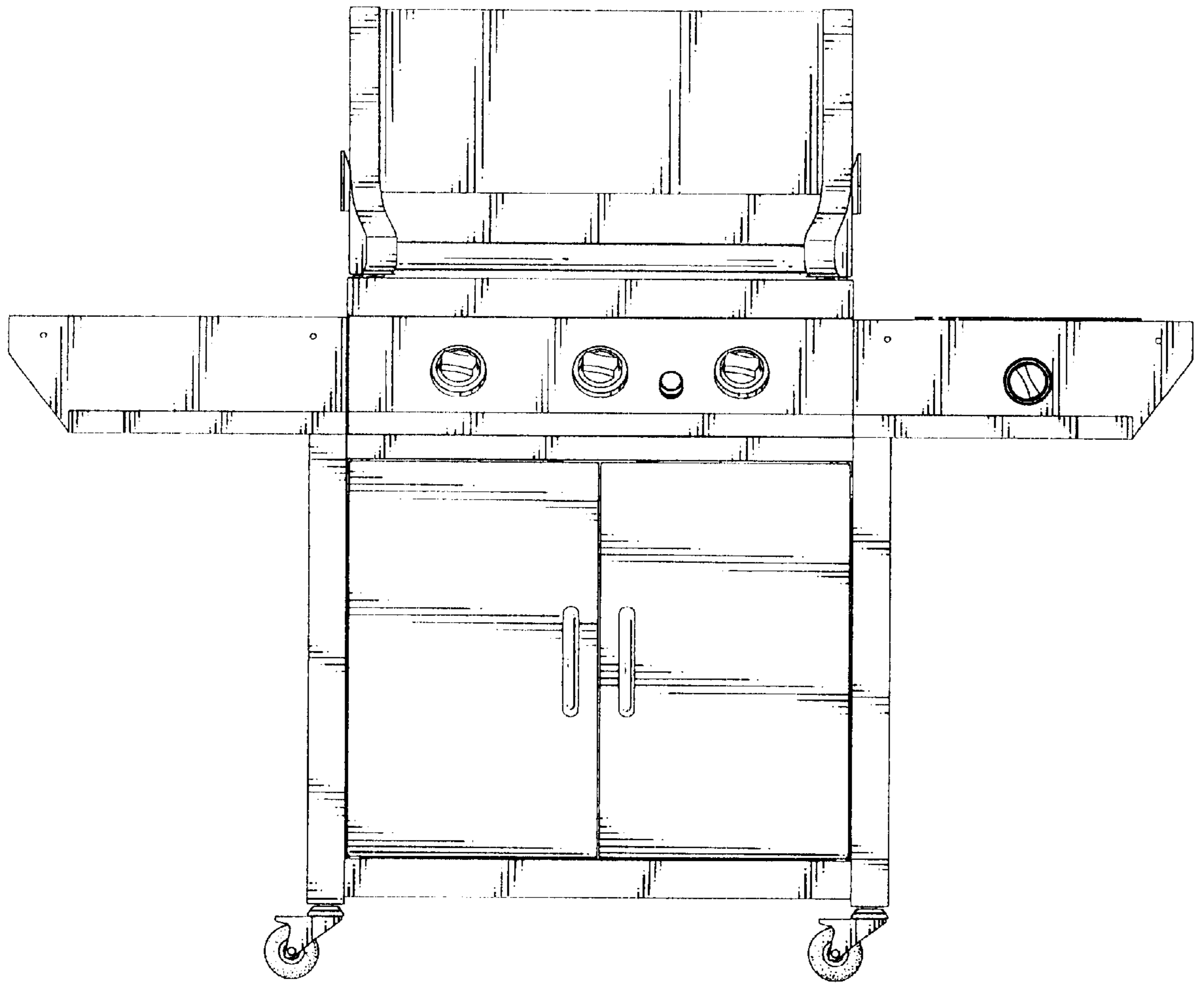


FIG. 2

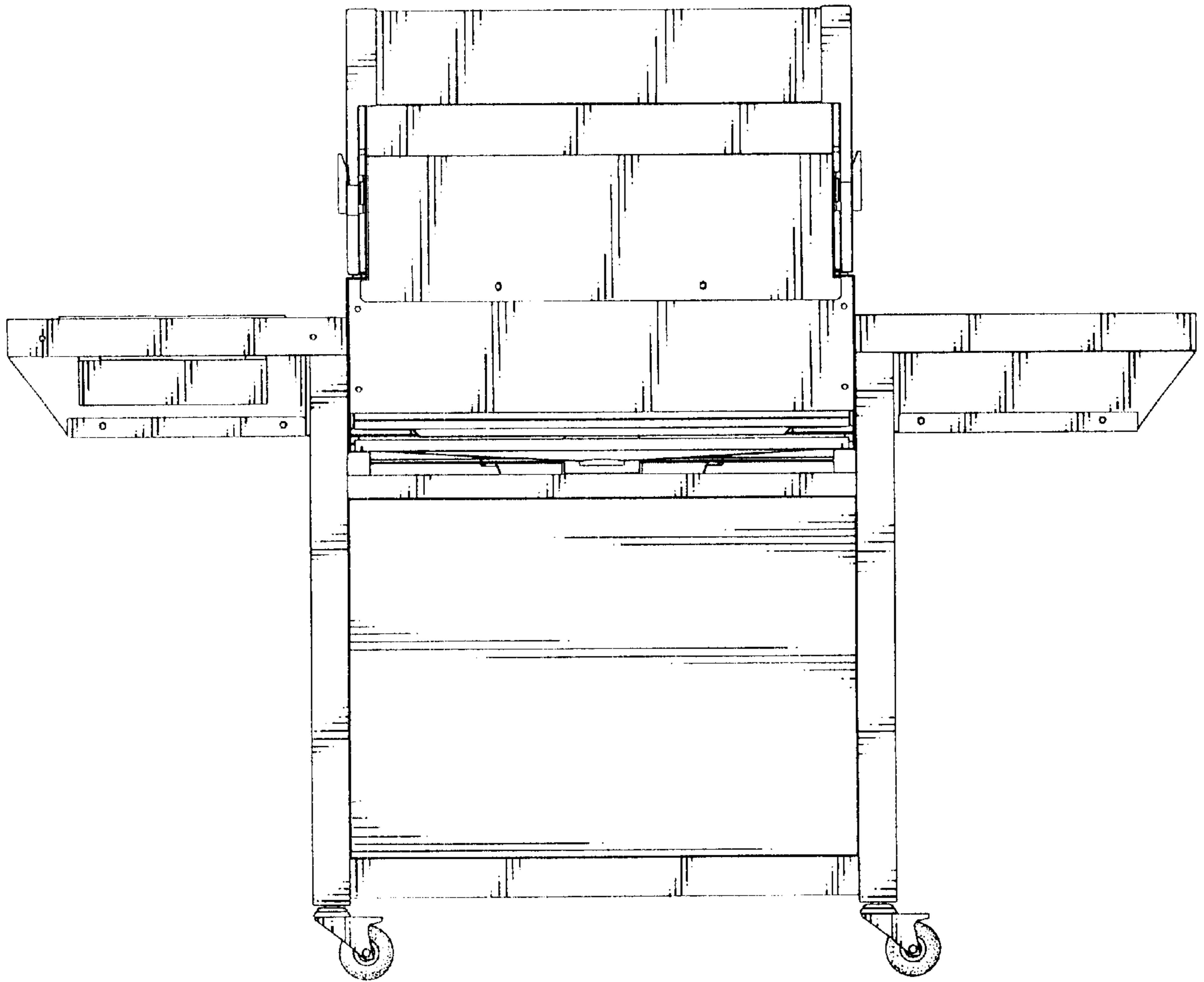


FIG. 3

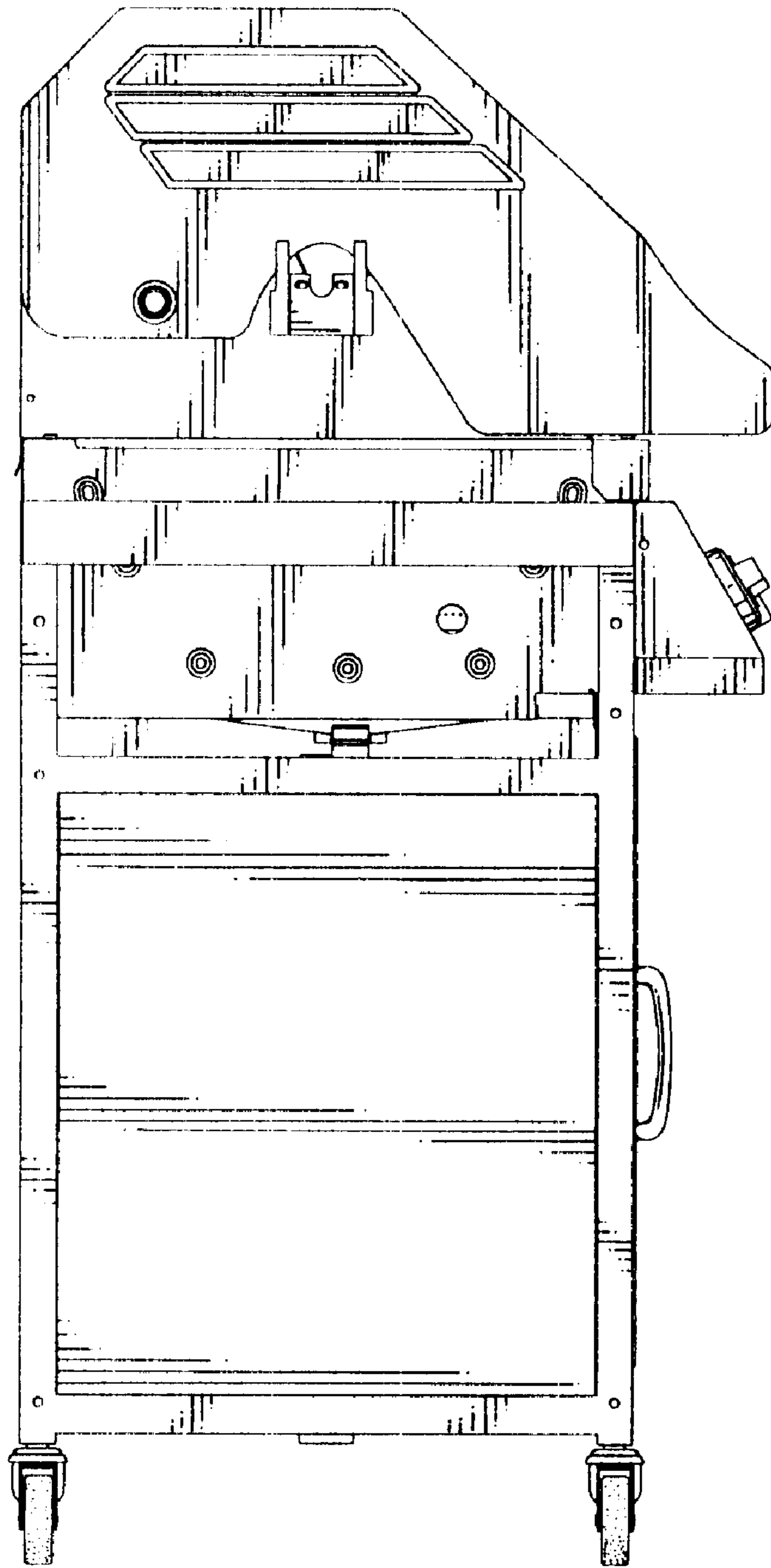


FIG. 4

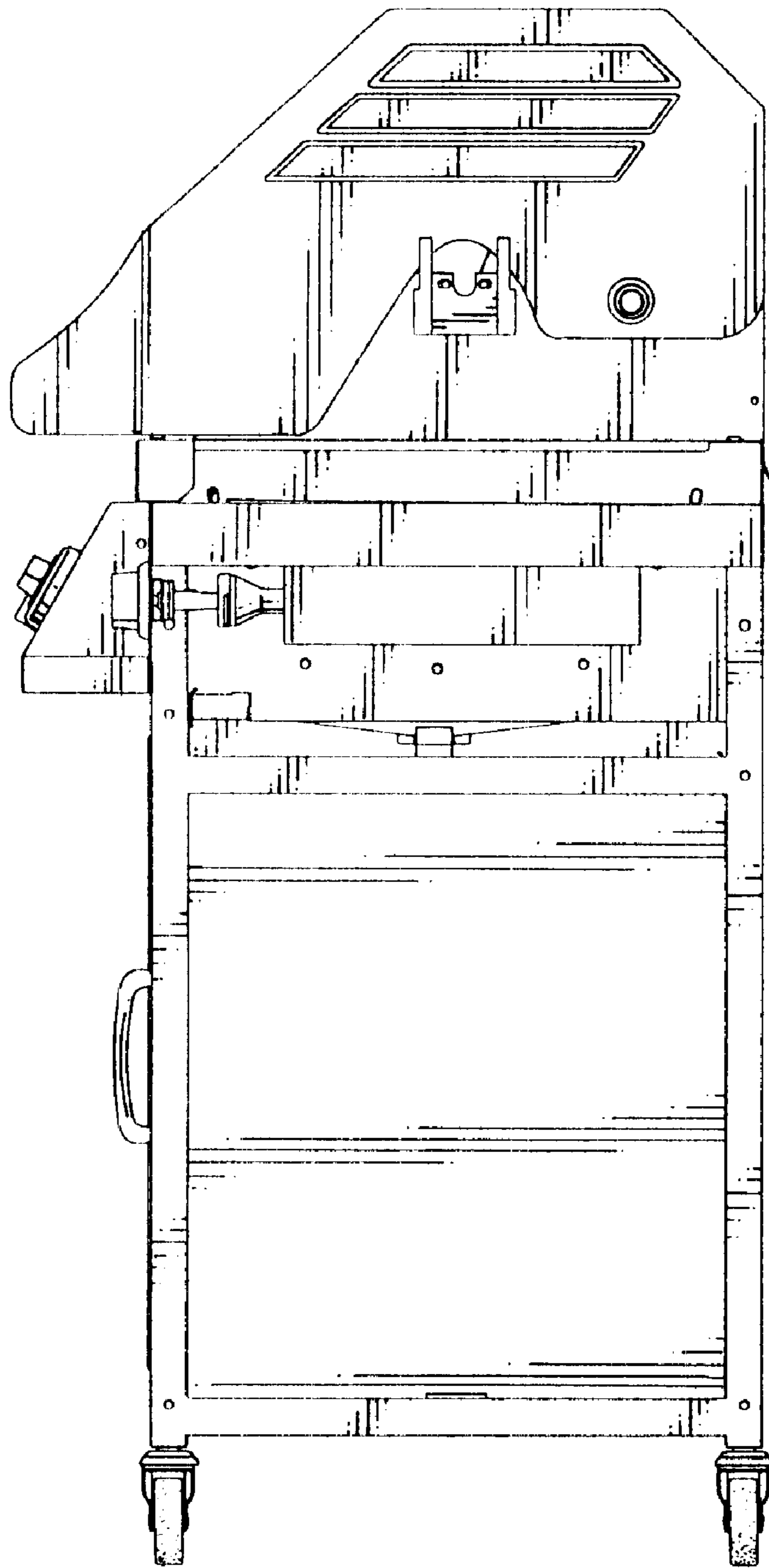


FIG. 5

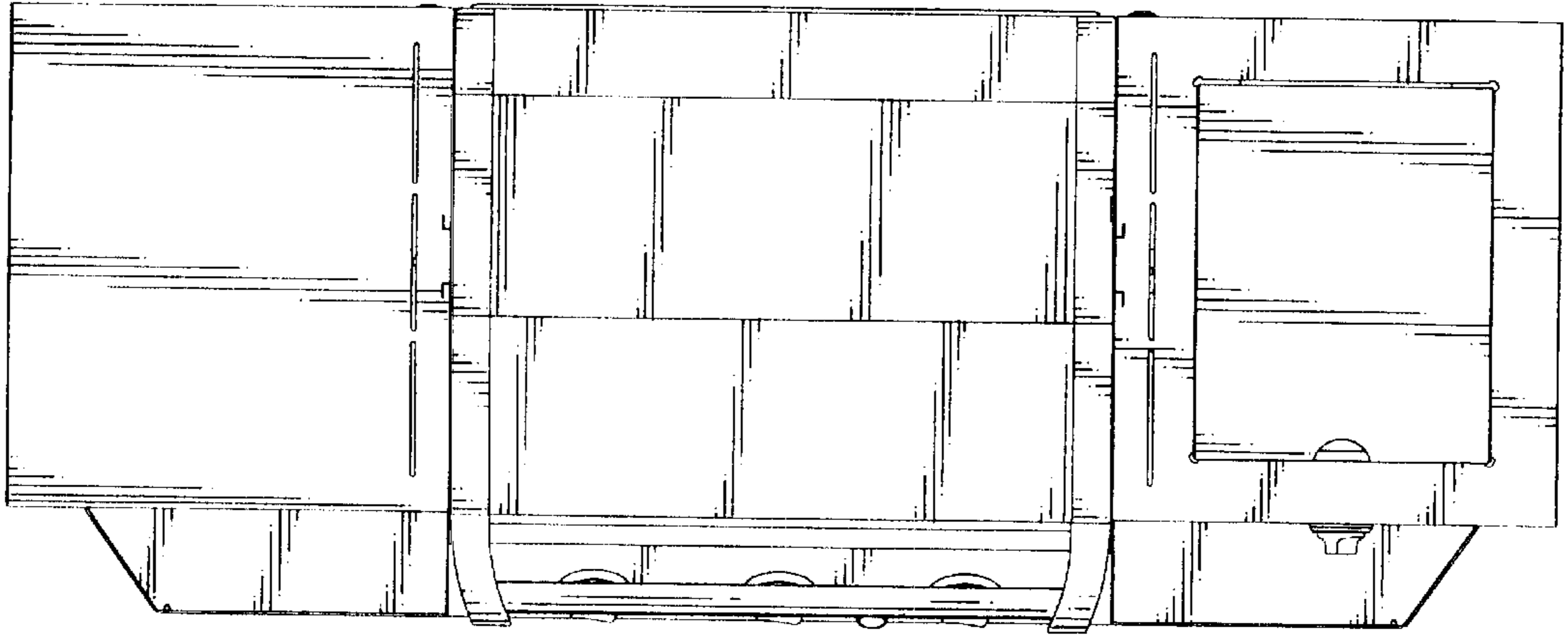


FIG. 6

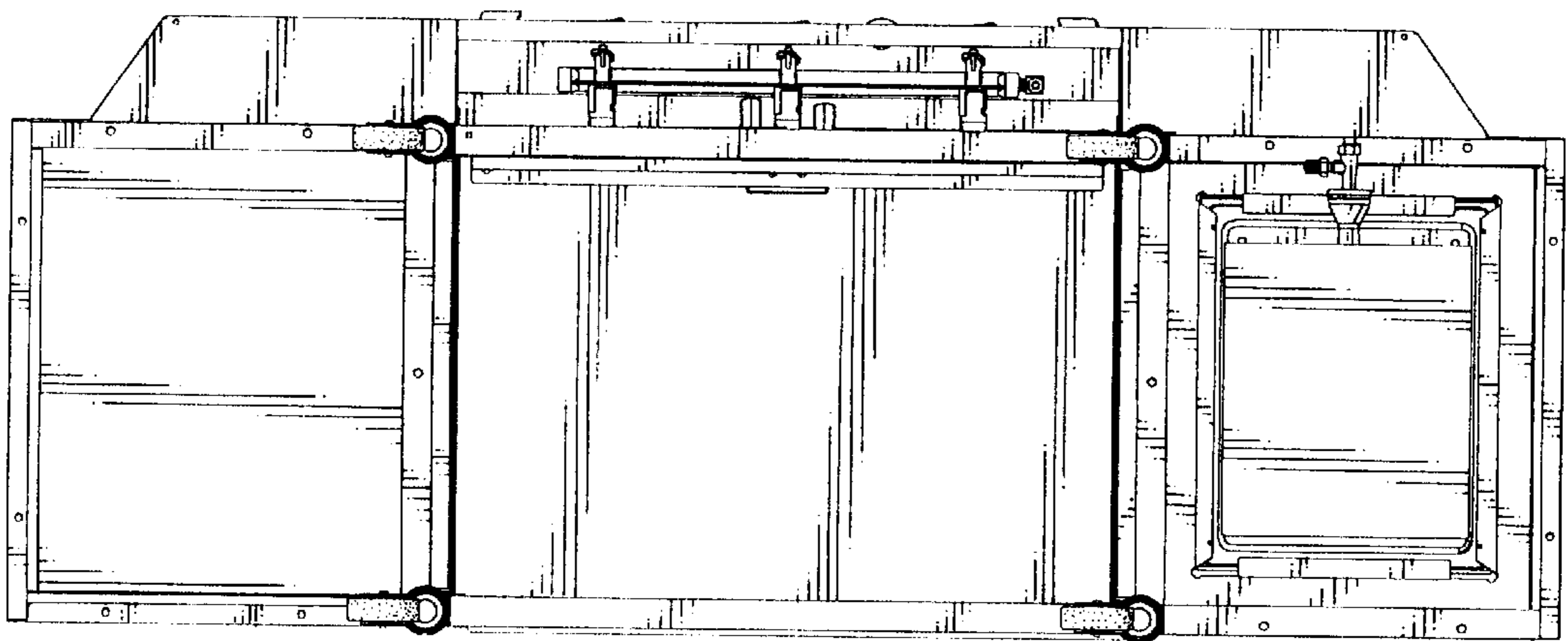


FIG. 7