



US00D471056S

(12) **United States Design Patent**
Pai

(10) **Patent No.:** **US D471,056 S**

(45) **Date of Patent:** **** Mar. 4, 2003**

(54) **ROASTER**

(76) Inventor: **Lucas Pai**, 8 Fl.-2, No. 160, Sec. 1,
Chung-Kang Rd., Taichung (TW)

(**) Term: **14 Years**

(21) Appl. No.: **29/162,711**

(22) Filed: **Jun. 21, 2002**

(51) **LOC (7) Cl.** **07-02**

(52) **U.S. Cl.** **D7/334**

(58) **Field of Search** D7/402, 403, 404,
D7/332-337; 126/25 R, 25 A, 25 AA, 41 R,
38, 37, 9 R; 99/419, 421 R

(56) **References Cited**

U.S. PATENT DOCUMENTS

D295,135 S	*	4/1988	Ogden	D7/334
5,036,832 A	*	8/1991	Schlosser et al.	126/243
D381,860 S	*	8/1997	Chiang	D7/334
D409,436 S	*	5/1999	Smith	D7/334
D414,374 S	*	9/1999	Ting	D7/334
D420,546 S	*	2/2000	Pai	D7/332

D427,840 S * 7/2000 Pai D7/332

D435,387 S * 12/2000 Pai D7/334

D456,671 S * 5/2002 Pai D7/403

D460,657 S * 7/2002 Bossler D7/334

D462,563 S * 9/2002 Bossler D7/334

* cited by examiner

Primary Examiner—Ruth McInroy

(74) *Attorney, Agent, or Firm*—Troxell Law Office PLLC

(57) **CLAIM**

The ornamental design for a roaster, as shown.

DESCRIPTION

FIG. 1 is a perspective view of a roaster showing my new design;

FIG. 2 is a front elevational view thereof;

FIG. 3 is a rear elevational view thereof;

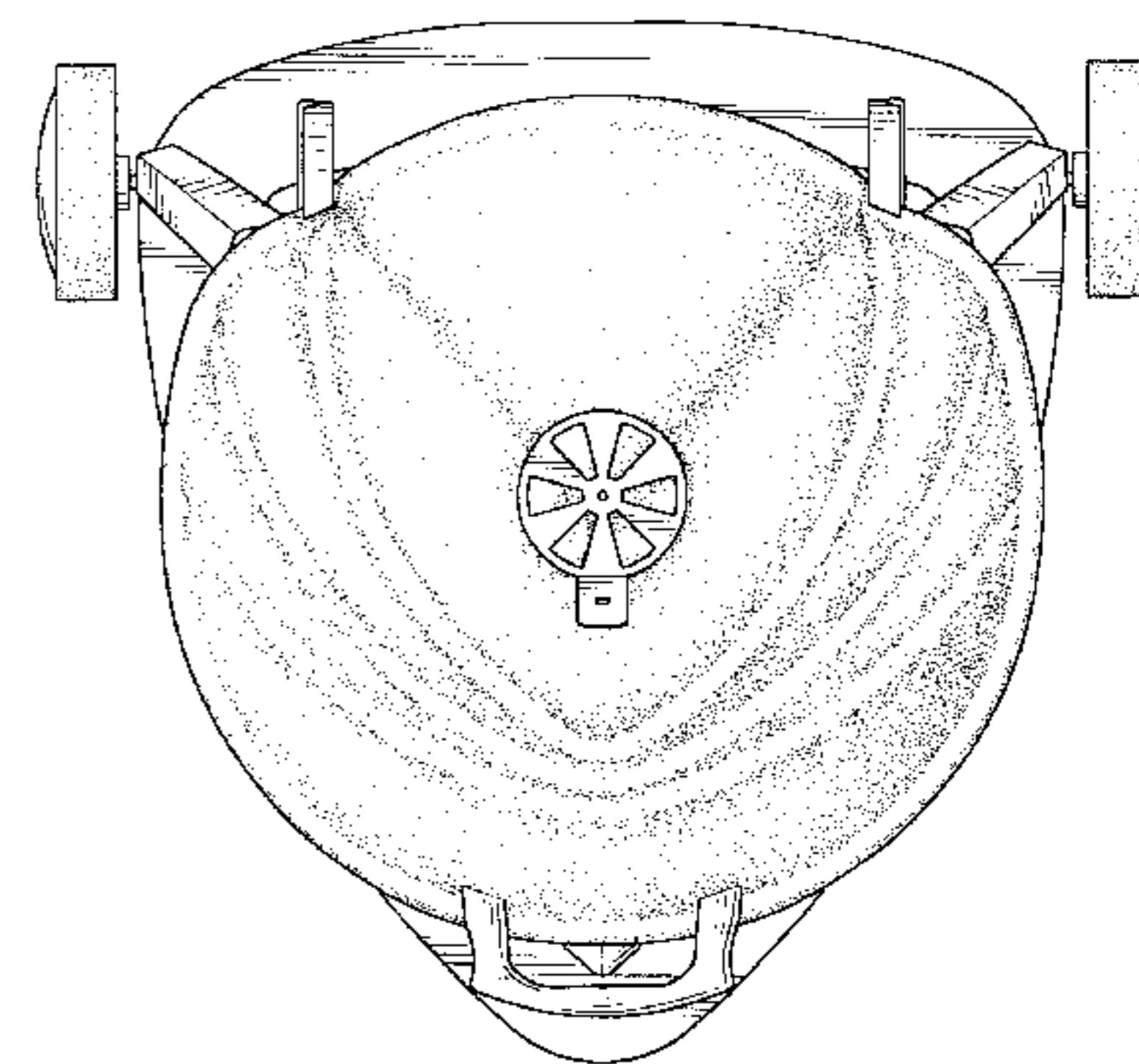
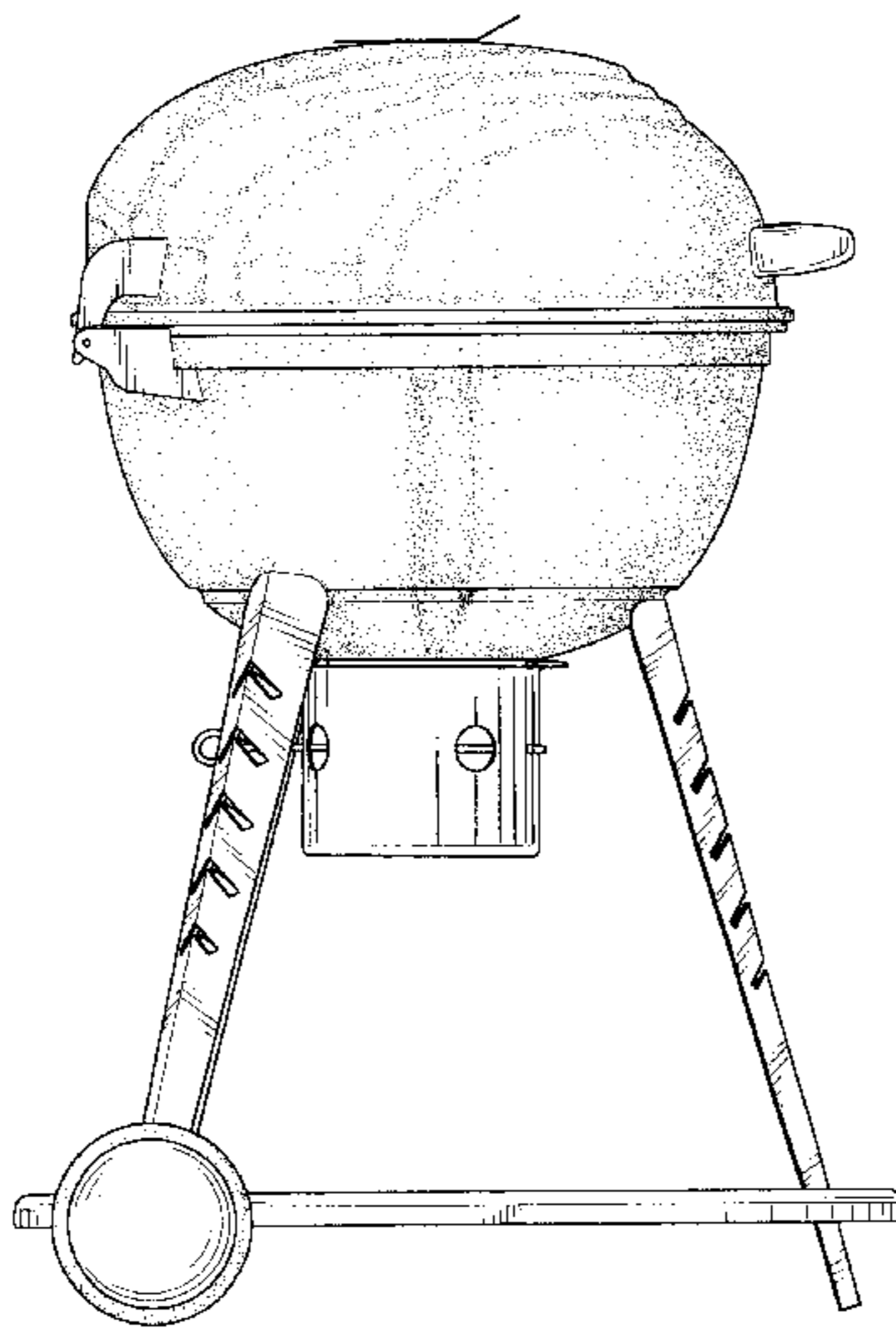
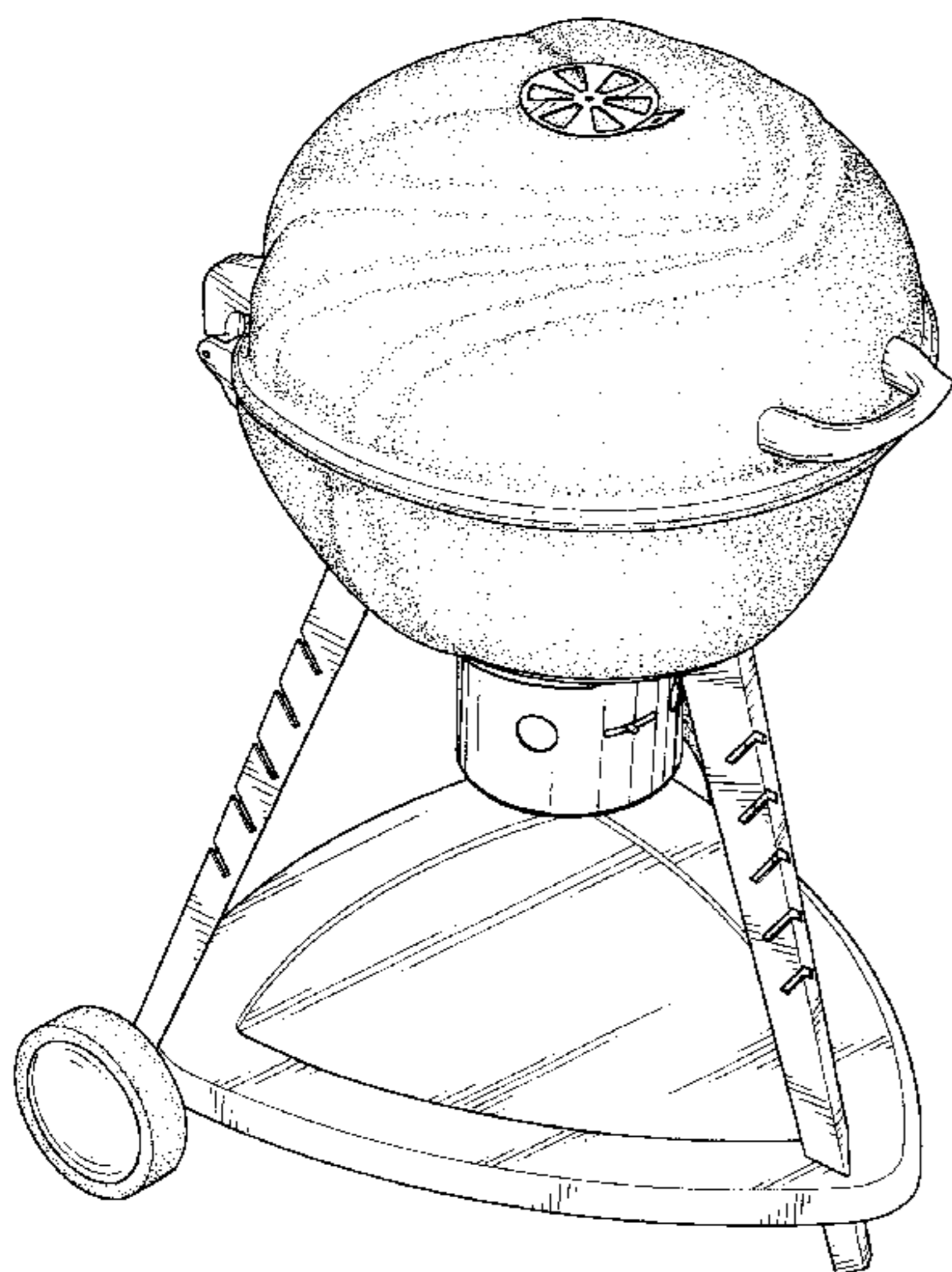
FIG. 4 is a left side view thereof;

FIG. 5 is a right side view thereof;

FIG. 6 is a top plain view thereof; and,

FIG. 7 is a bottom plain view thereof.

1 Claim, 4 Drawing Sheets



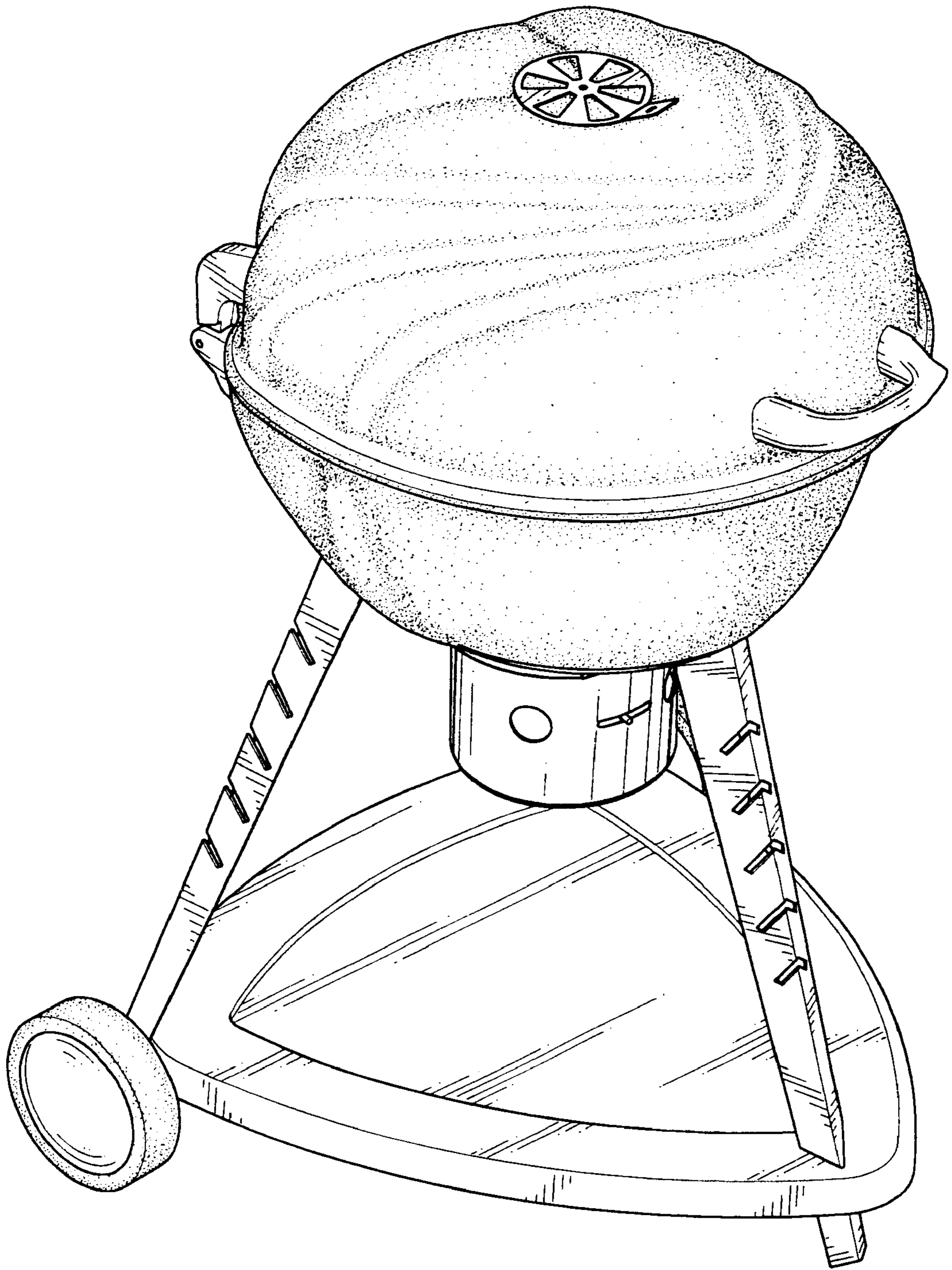


FIG. 1

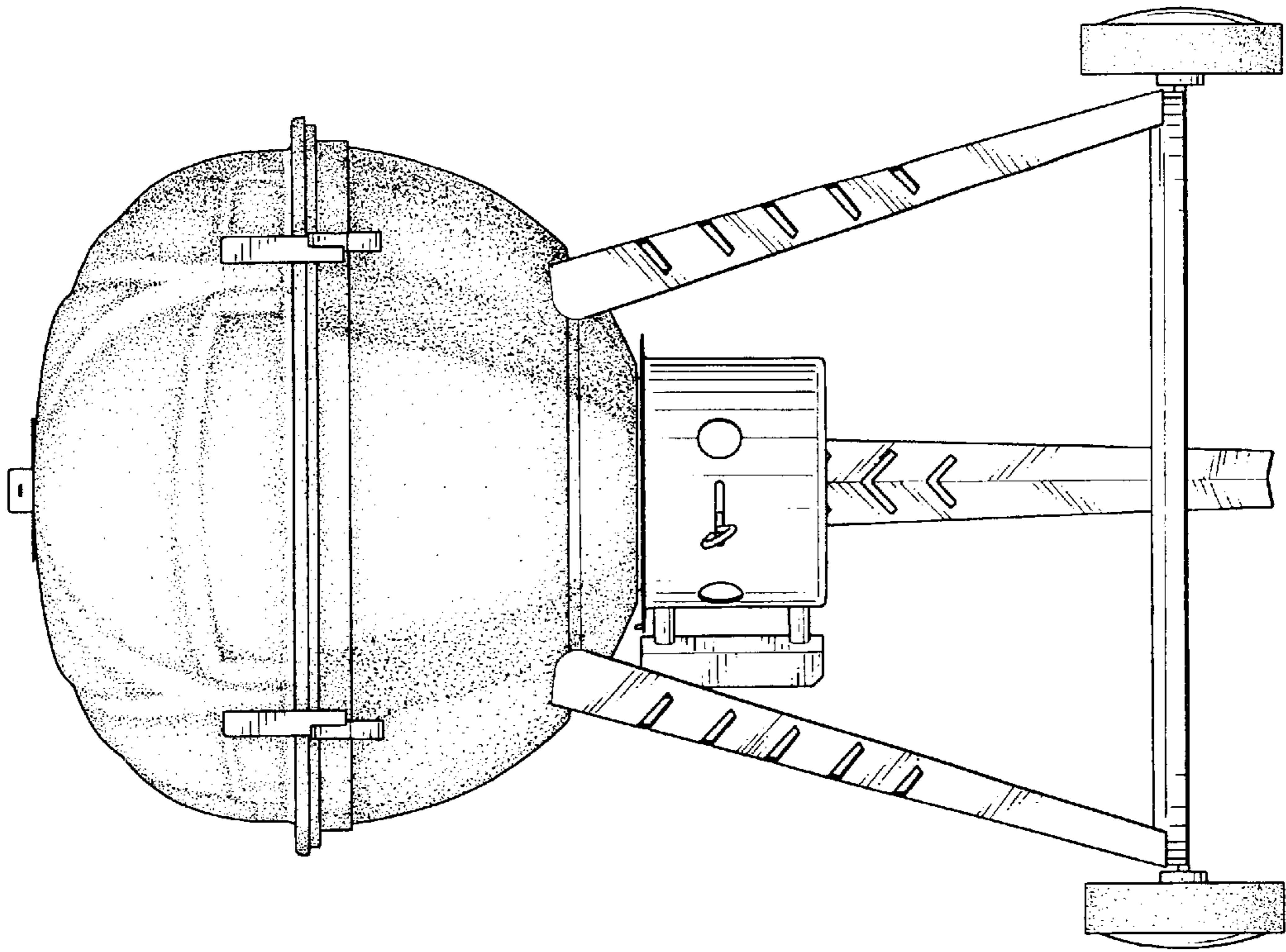


FIG. 3

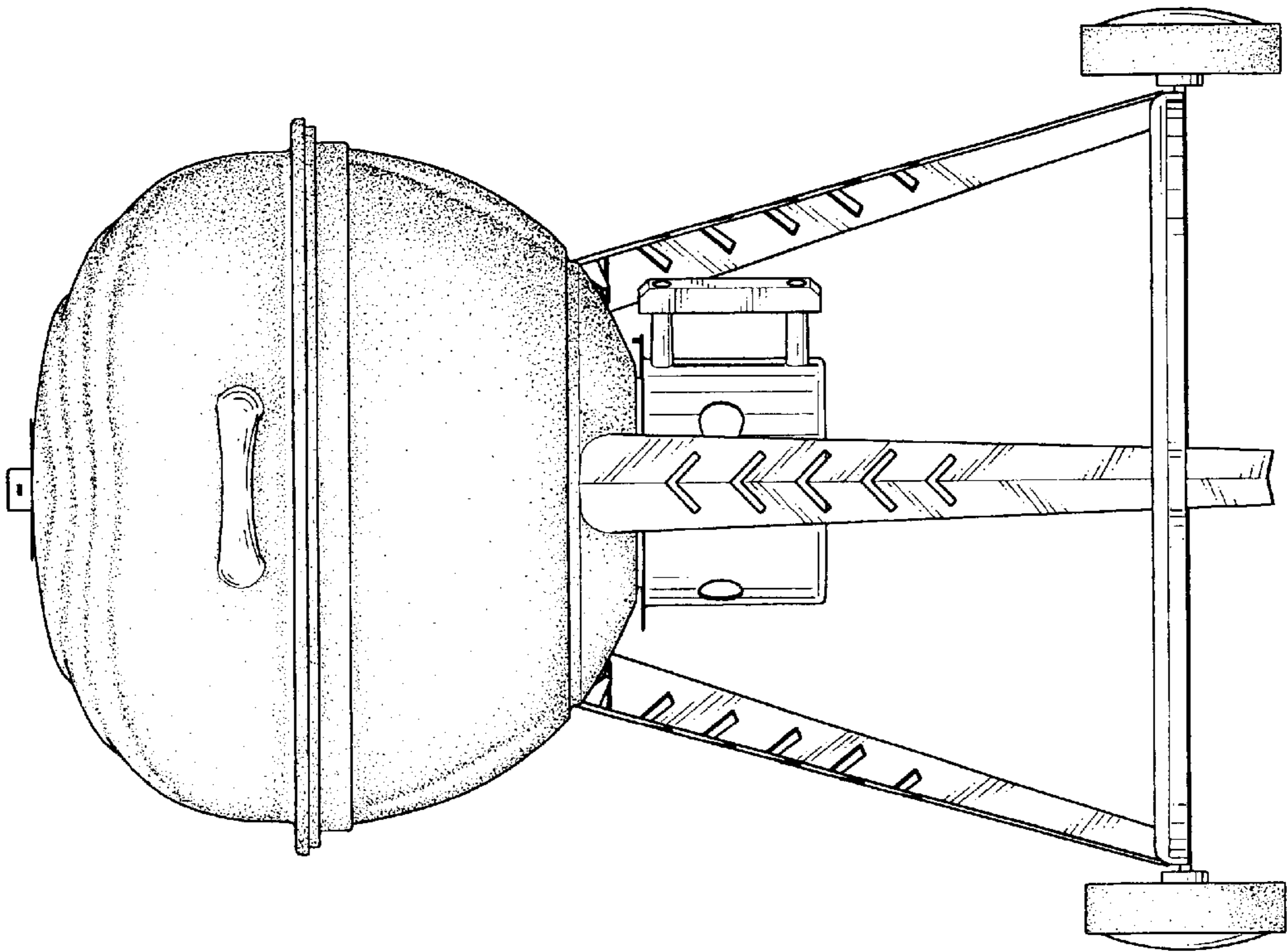


FIG. 2

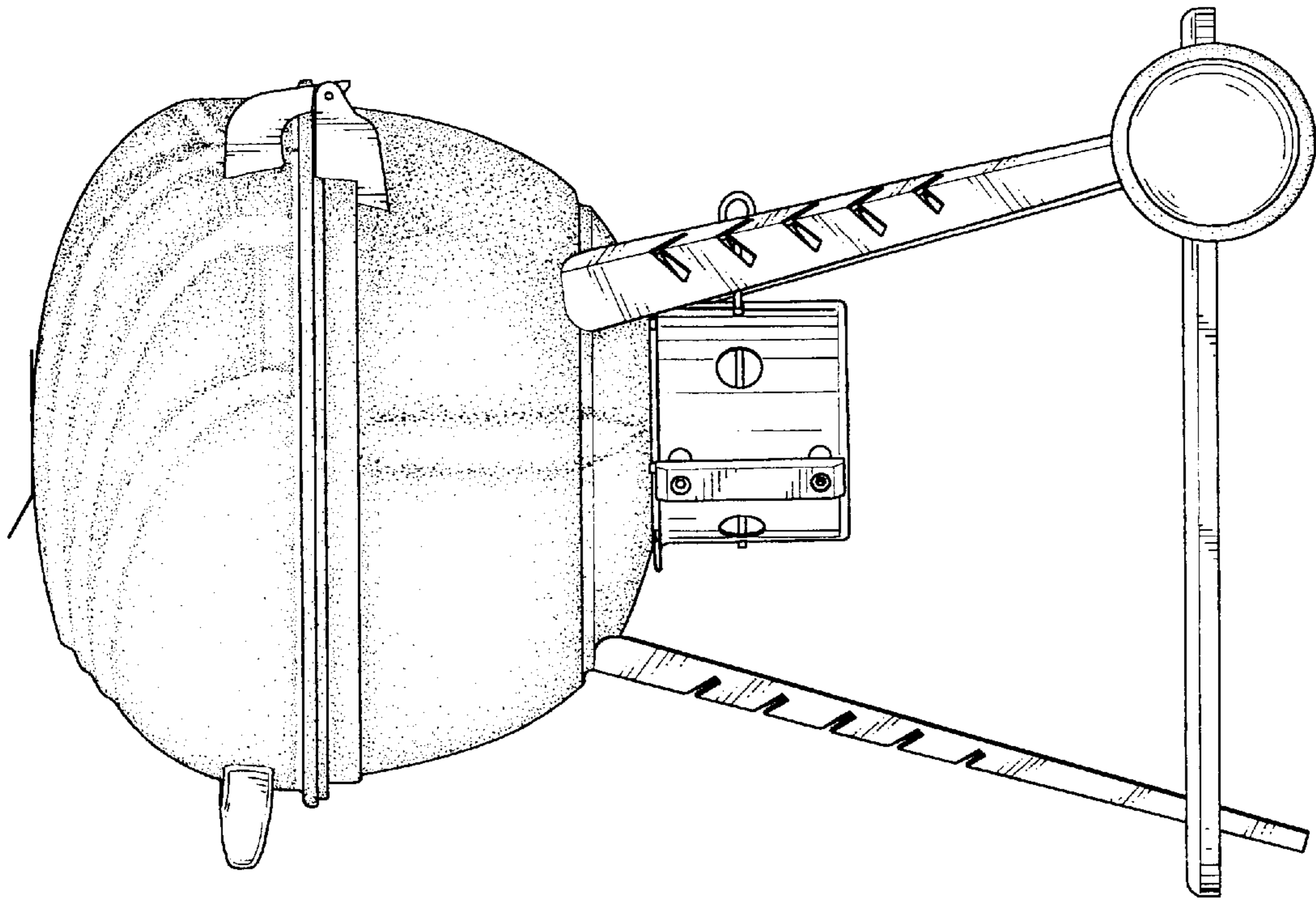


FIG. 5

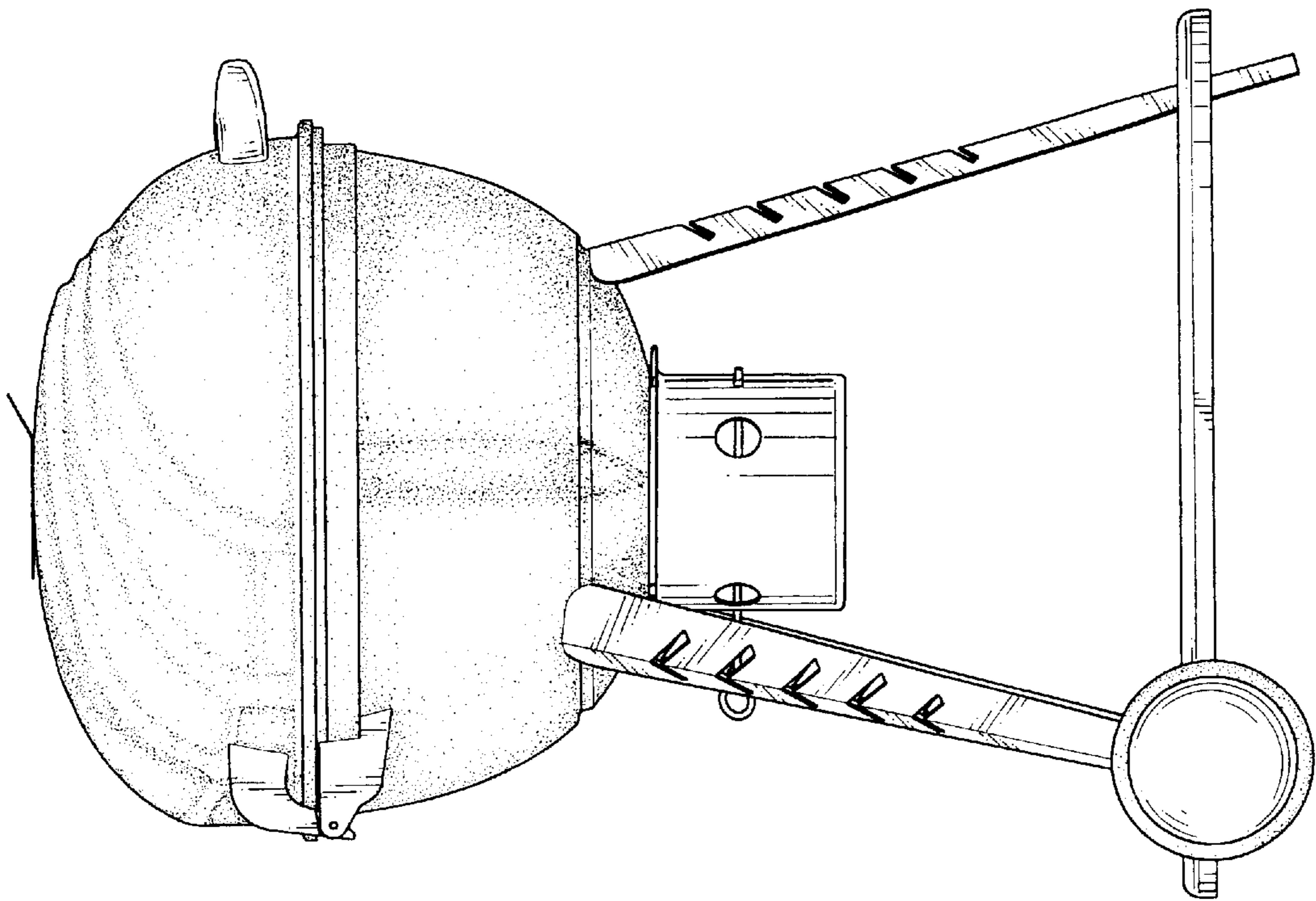


FIG. 4

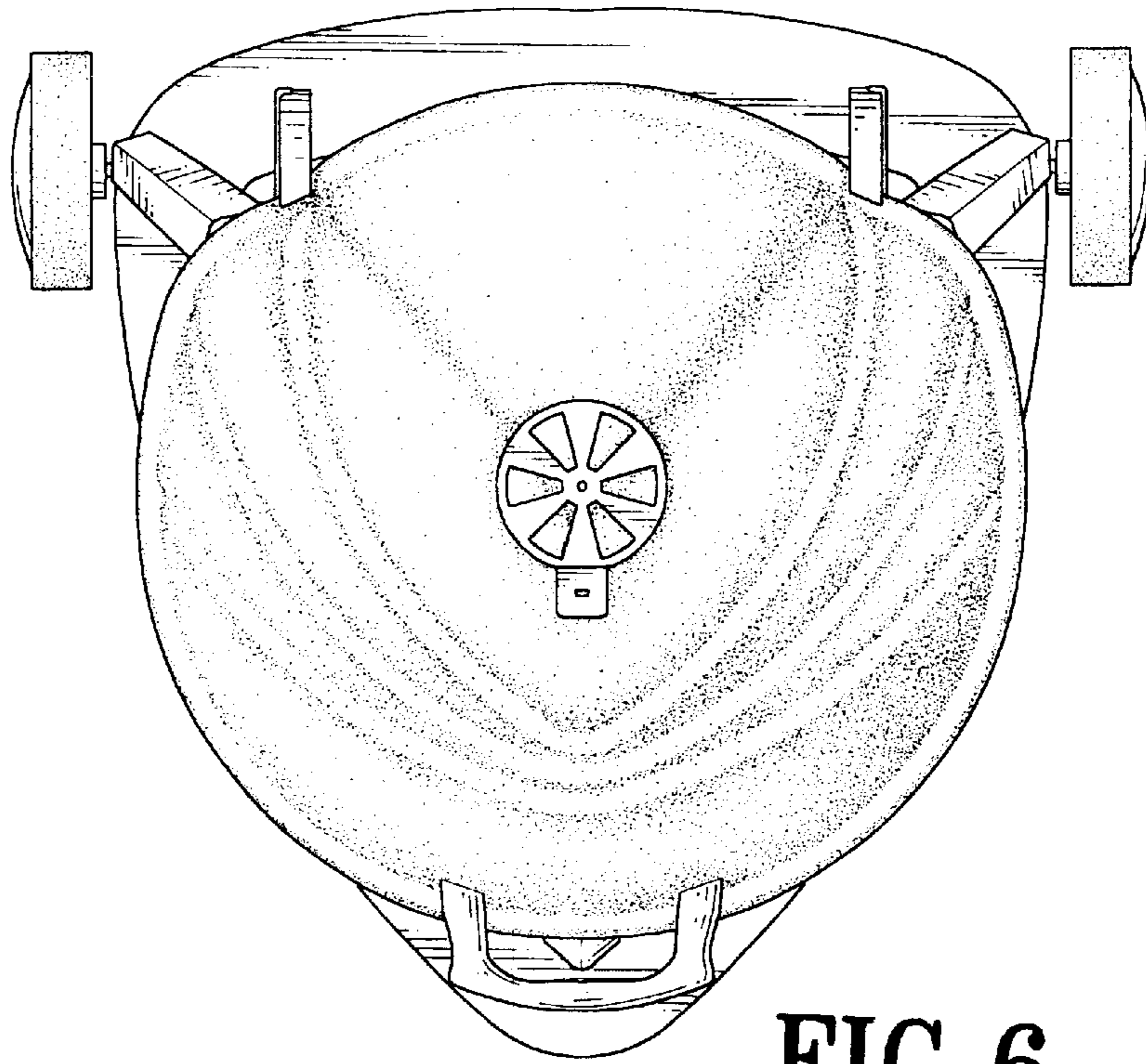


FIG. 6

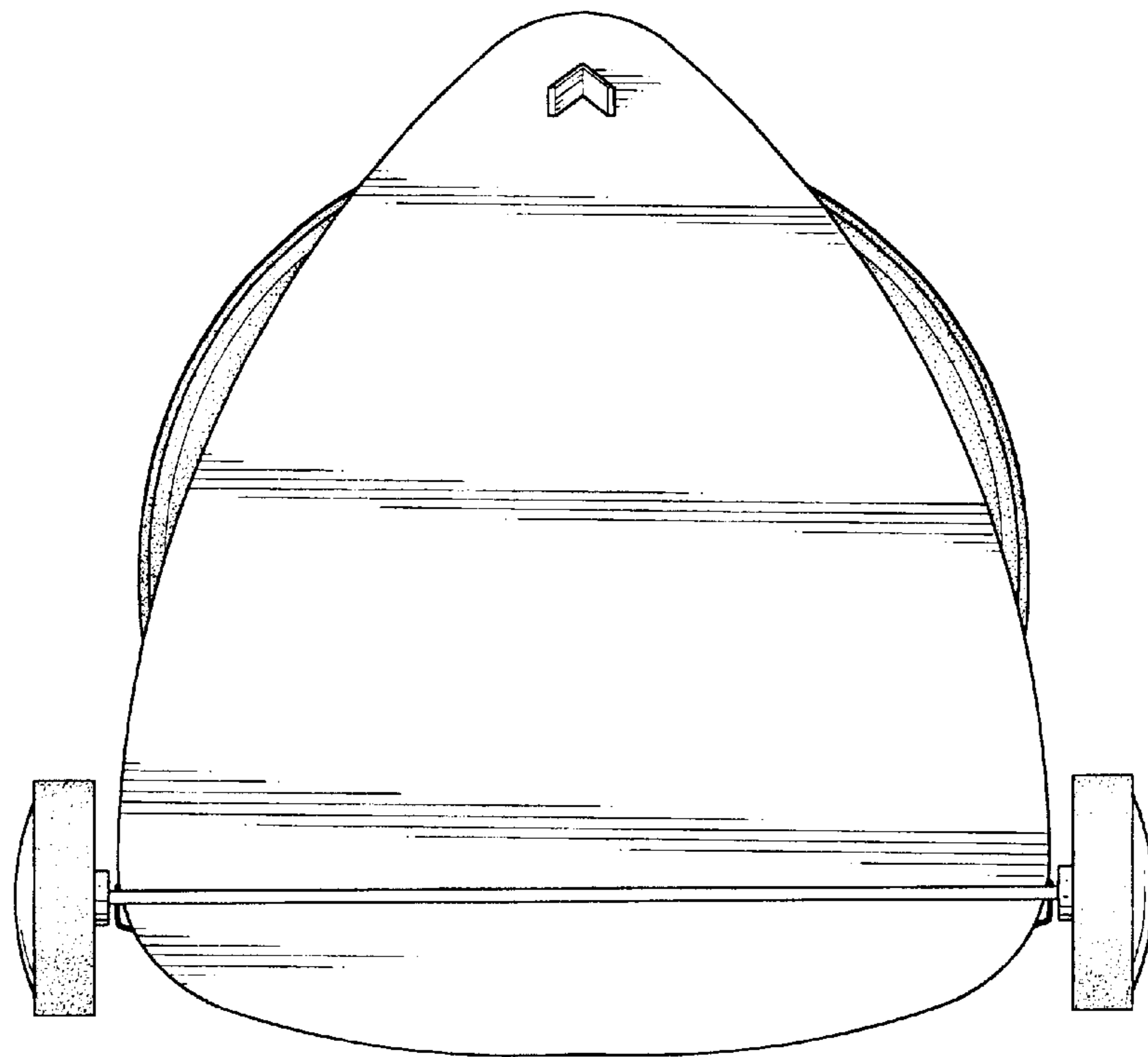


FIG. 7