



US00D471054S

(12) **United States Design Patent**
Gantt

(10) **Patent No.:** **US D471,054 S**

(45) **Date of Patent:** **** Mar. 4, 2003**

(54) **PORTABLE BEVERAGE DISPENSER**

D463,194 S * 9/2002 Busick et al. D7/313

(75) Inventor: **Timothy D. Gantt**, Goshen, KY (US)

* cited by examiner

(73) Assignee: **Grindmaster Crathco Systems, Inc.**,
Louisville, KY (US)

Primary Examiner—M. N. Pandozzi
(74) *Attorney, Agent, or Firm*—Stites & Harbison, PLLC;
David W. Nagle, Jr.; Vance A. Smith

(**) Term: **14 Years**

(57) **CLAIM**

(21) Appl. No.: **29/145,161**

The ornamental design for a portable beverage dispenser, as shown.

(22) Filed: **Jul. 17, 2001**

(51) **LOC (7) Cl.** **07-01**

DESCRIPTION

(52) **U.S. Cl.** **D7/313; D7/306**

(58) **Field of Search** D7/300, 304, 305,
D7/306, 313, 397, 398; 222/183, 129.1;
D9/44; 62/3.64; 99/275; 220/592.19

FIG. 1 is a perspective view of a portable beverage dispenser showing my new design;

FIG. 2 is a top plan view of the portable beverage dispenser of FIG. 1;

FIG. 3 is a bottom plan view of the portable beverage dispenser of FIG. 1;

FIG. 4 is a left side elevational view of the portable beverage dispenser of FIG. 1;

FIG. 5 is a front elevational view of the portable beverage dispenser of FIG. 1; and,

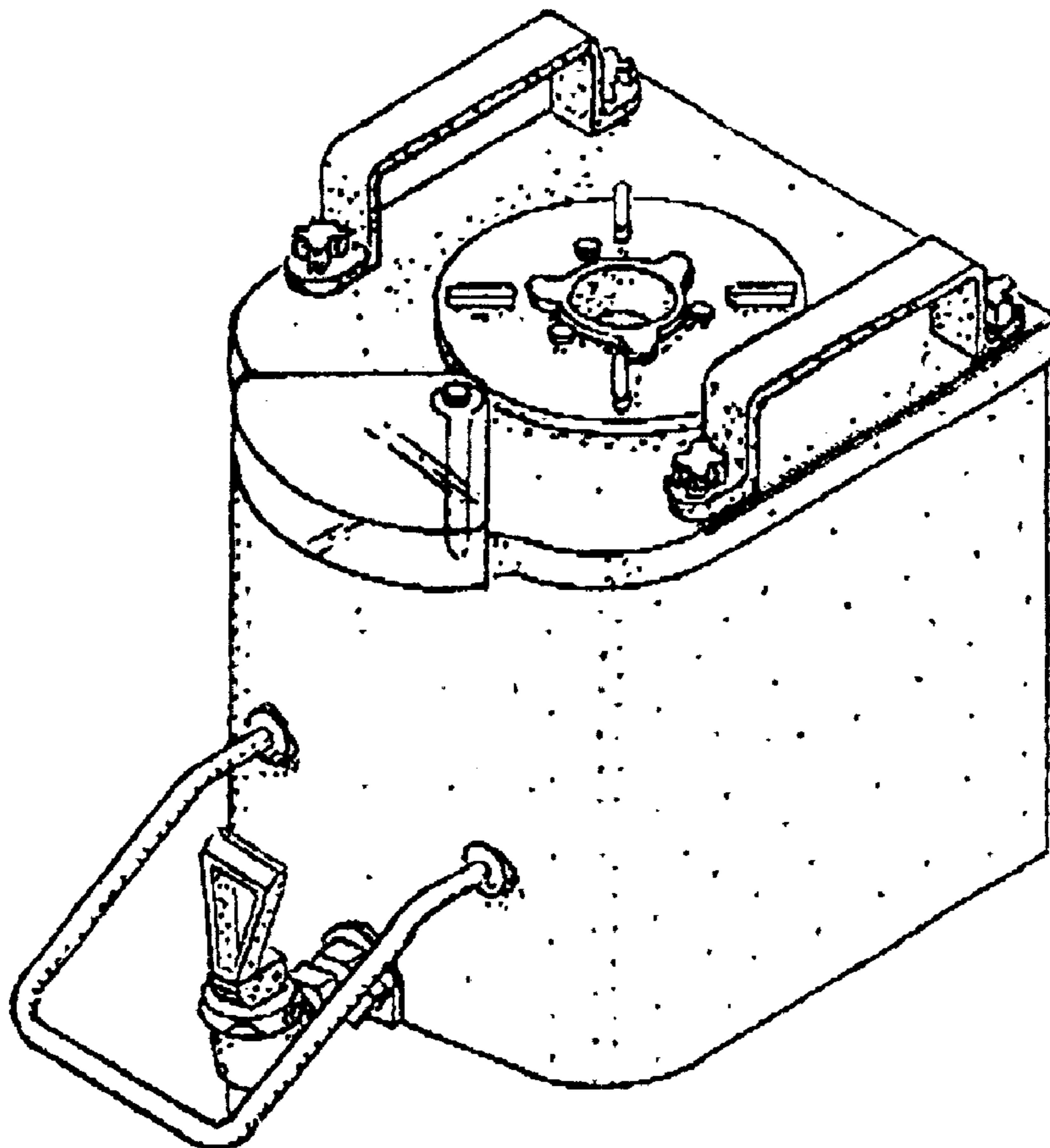
FIG. 6 is a rear elevational view of the portable beverage dispenser of FIG. 1.

(56) **References Cited**

U.S. PATENT DOCUMENTS

4,834,250	A	*	5/1989	Dumbeck et al.	
4,993,229	A	*	2/1991	Baus et al.	62/3.64
D341,986	S	*	12/1993	Futscher	D7/313
D379,050	S	*	5/1997	Kohanski	D7/313
D392,837	S	*	3/1998	Lee	D7/306
D404,250	S	*	1/1999	Midden et al.	D7/397
D419,826	S	*	2/2000	Edwards et al.	D7/398

1 Claim, 2 Drawing Sheets



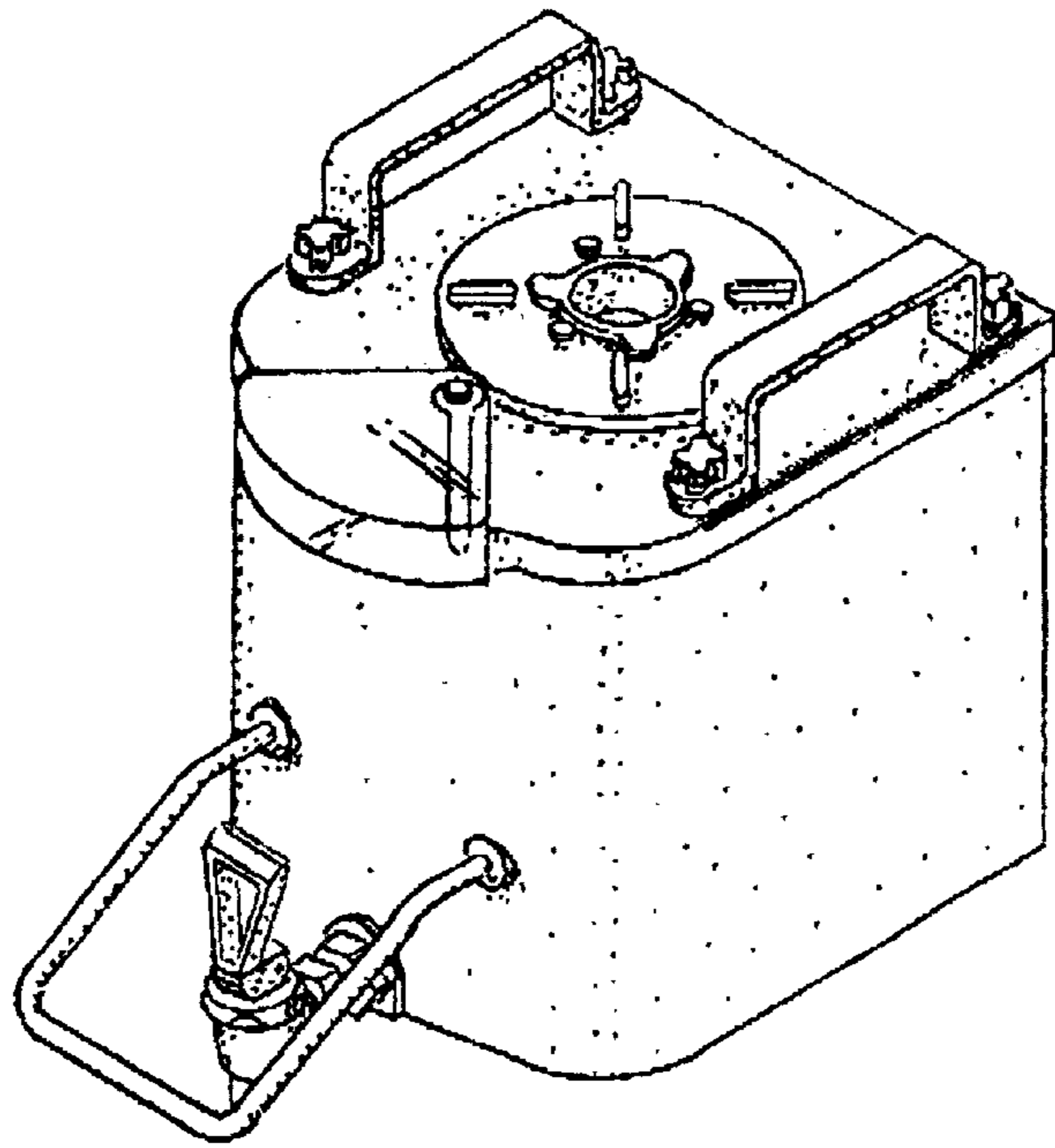


FIG. 1

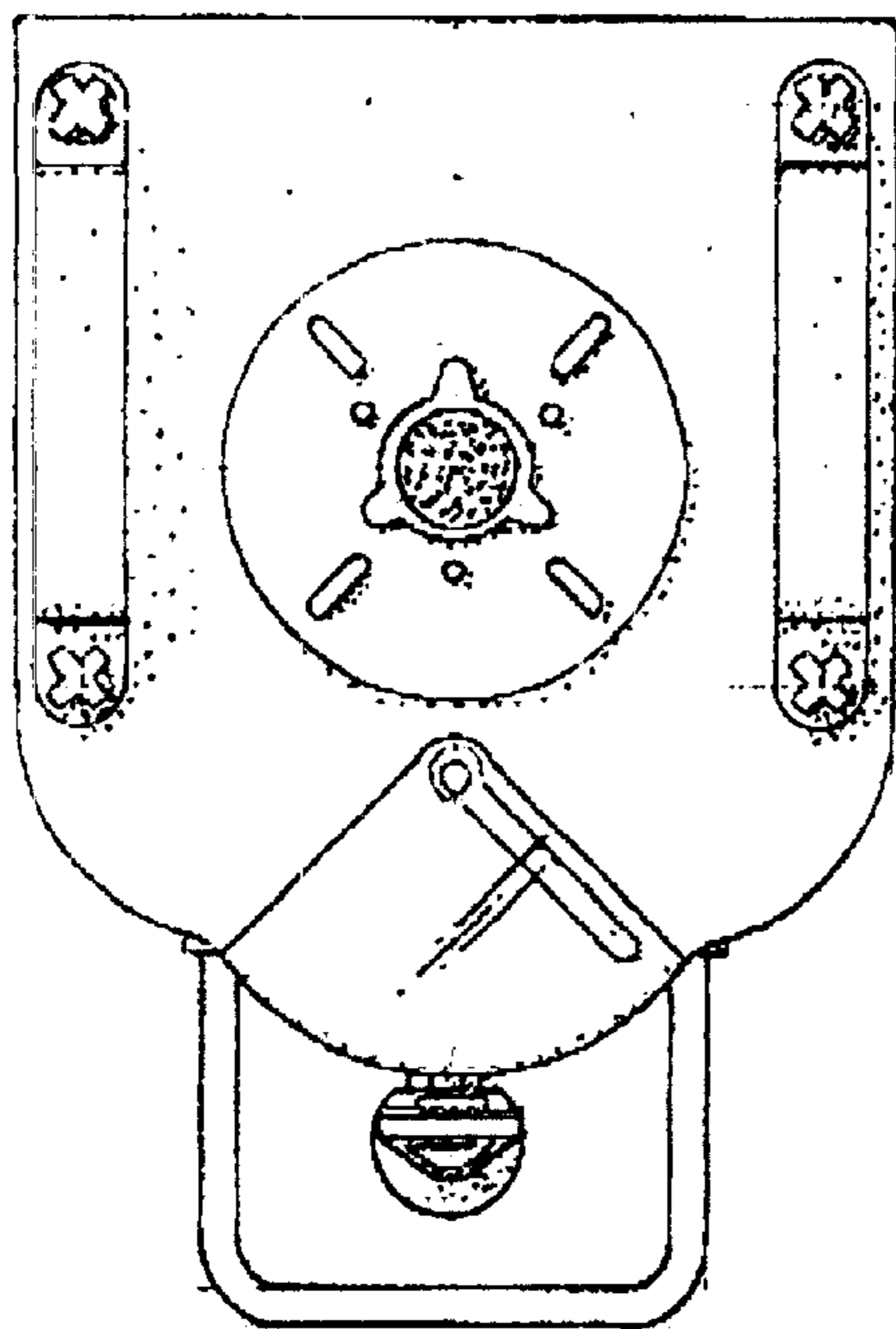


FIG. 2

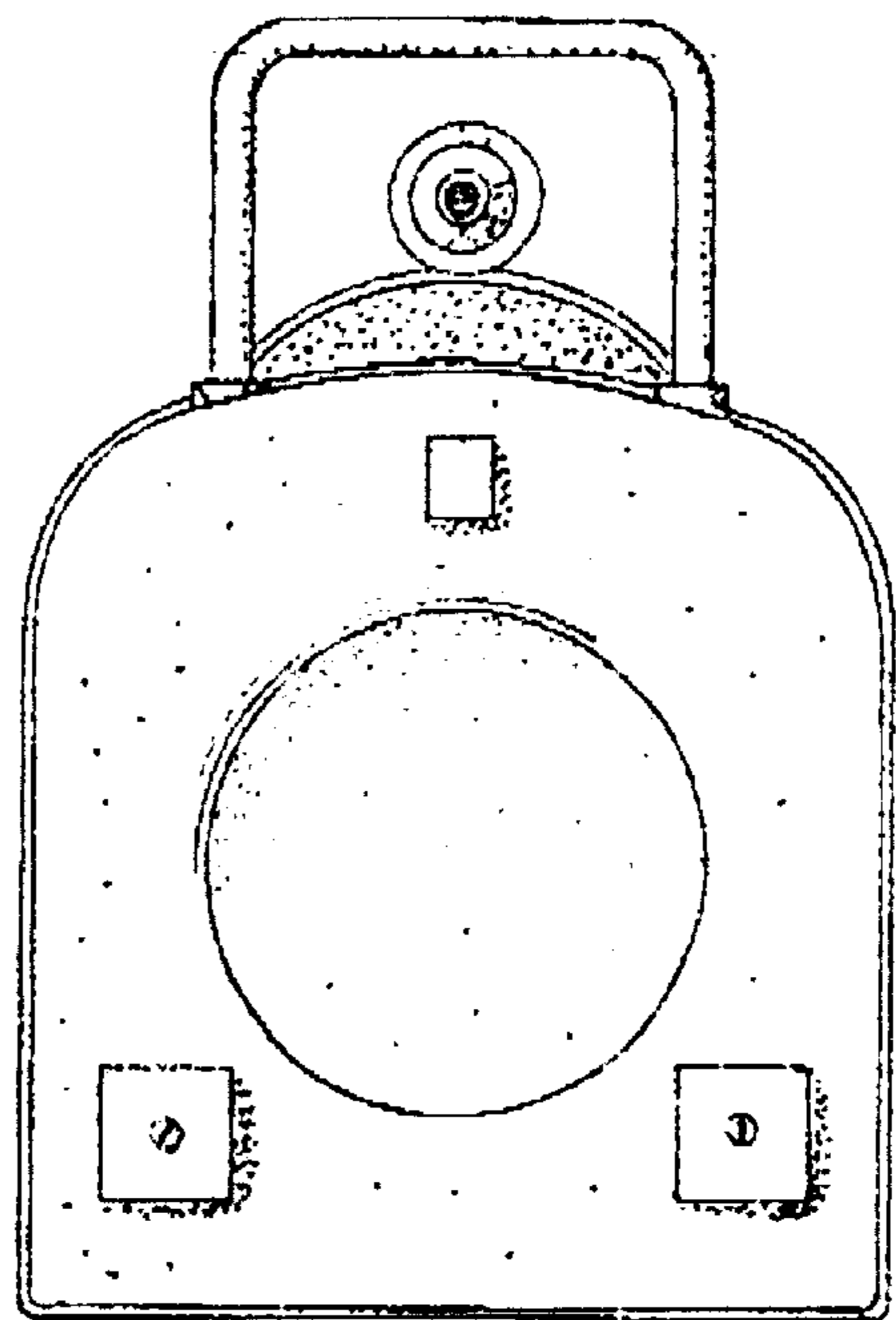


FIG. 3

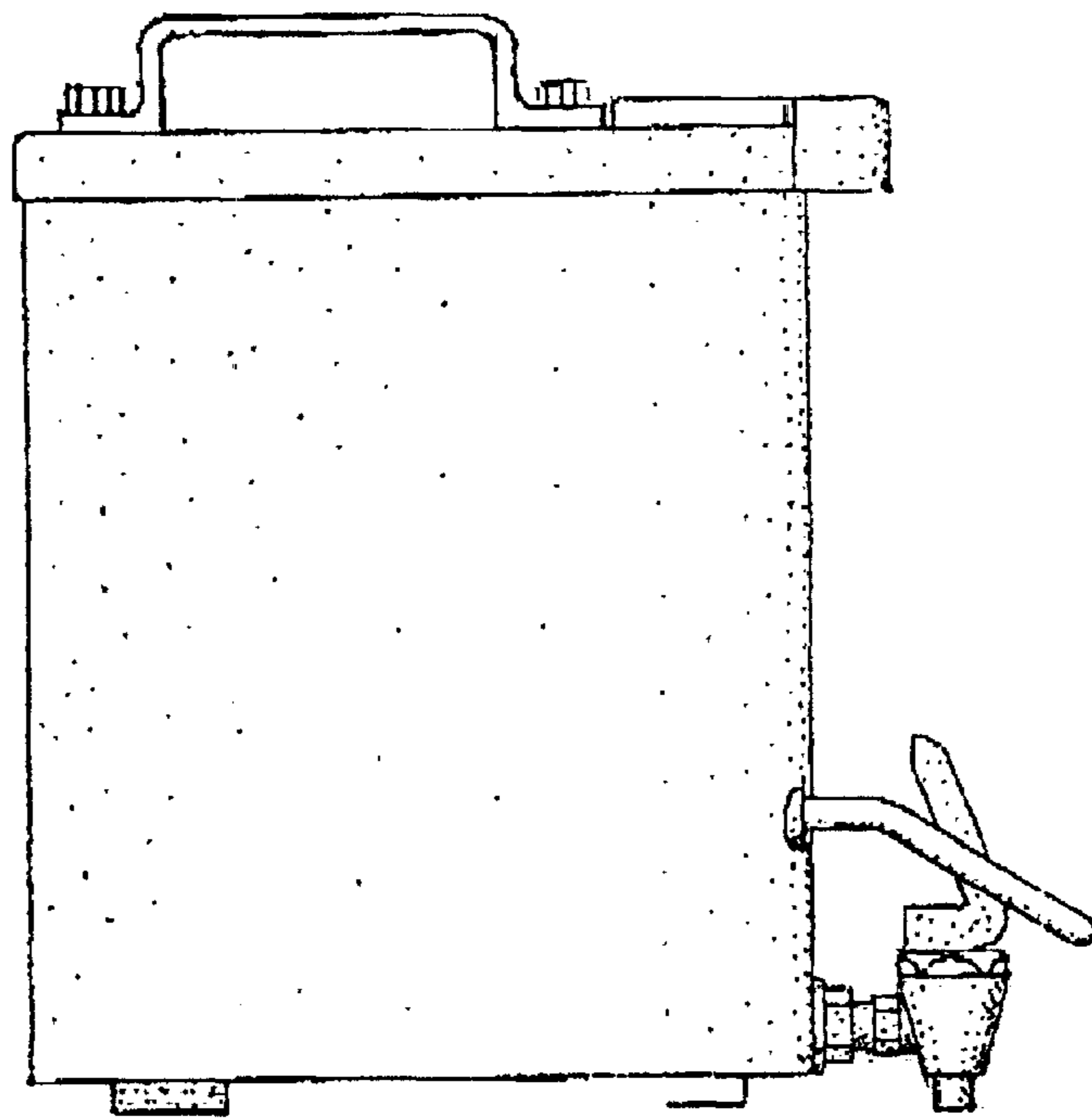


FIG. 4

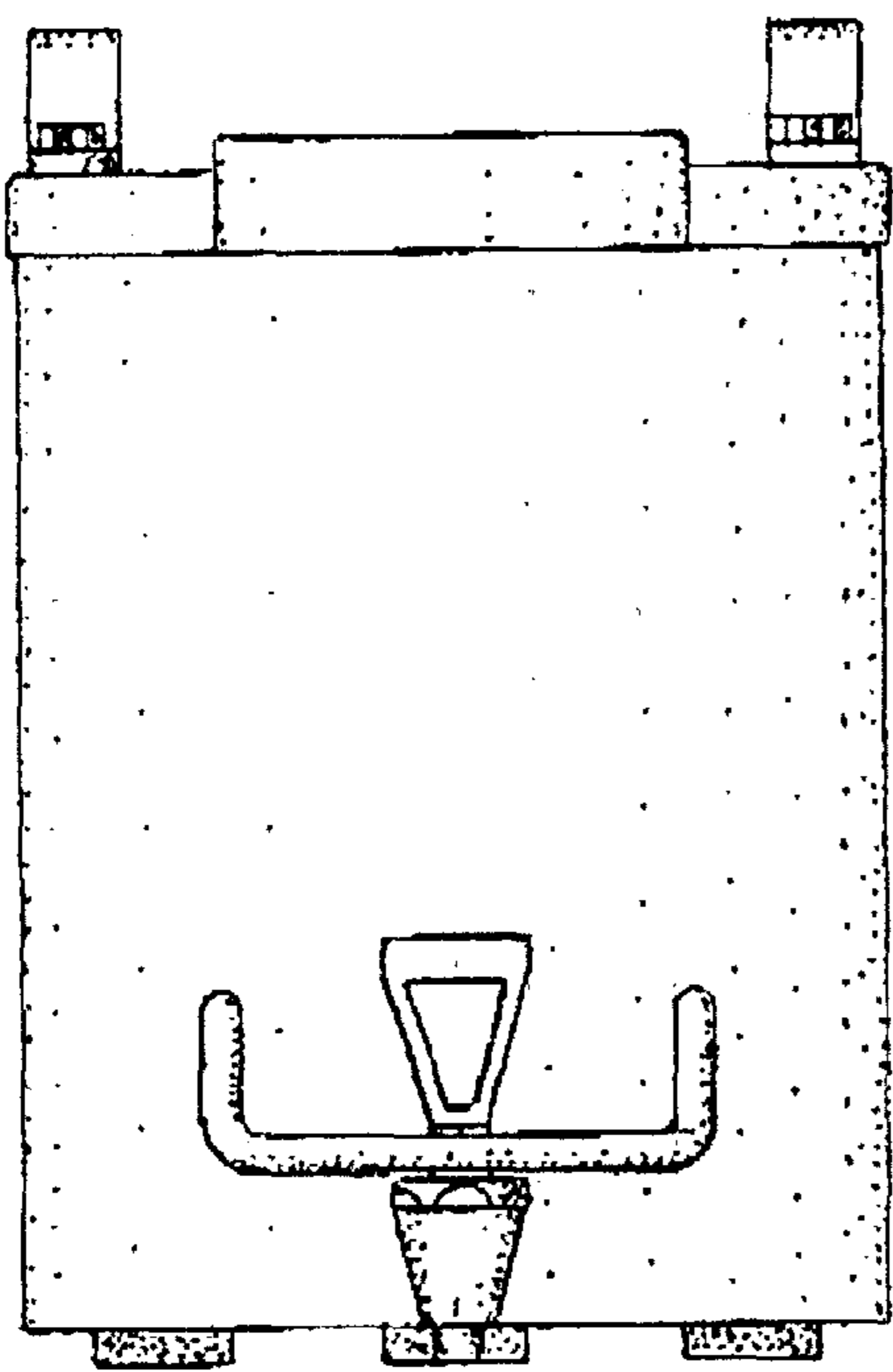


FIG. 5

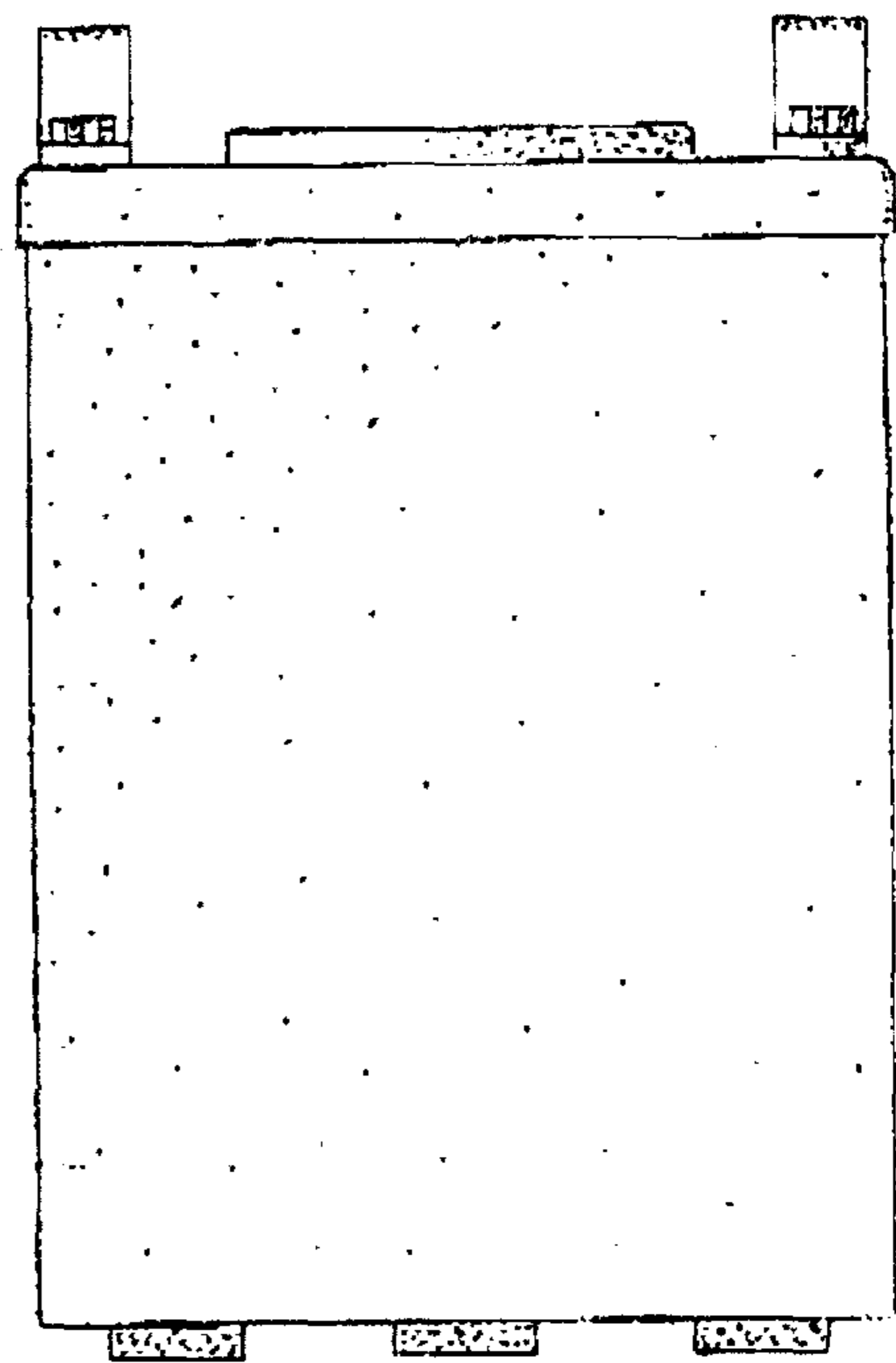


FIG. 6