



US00D471048S

(12) **United States Design Patent**  
**Piatt**

(10) **Patent No.:** **US D471,048 S**

(45) **Date of Patent:** **\*\* Mar. 4, 2003**

(54) **CABINET**

(75) **Inventor:** **James M. Piatt**, Sheboygan Falls, WI (US)

(73) **Assignee:** **Kohler Co.**, Kohler, WI (US)

(\*\*) **Term:** **14 Years**

(21) **Appl. No.:** **29/153,262**

(22) **Filed:** **Oct. 26, 2001**

(51) **LOC (7) Cl.** ..... **06-04**

(52) **U.S. Cl.** ..... **D6/559**

(58) **Field of Search** ..... D6/559-561; 312/242, 312/245, 246, 249.1, 249.4

(56) **References Cited**

**U.S. PATENT DOCUMENTS**

4,088,380 A	*	5/1978	Watts	.....	312/246 X
D306,672 S	*	3/1990	Peters	.....	D6/561
D332,868 S	*	2/1993	Chen	.....	D3/282
D419,353 S	*	1/2000	Kato	.....	D6/559

**OTHER PUBLICATIONS**

Oak Hill Kitchen & Bath Supply Web Page showing a "Diplomat" medicine cabinet.

Oak Hill Kitchen & Bath Supply Web Page showing a "Shaker" wall valet.

Wellborn Cabinet, Inc. Web Page showing a base spice rack.

\* cited by examiner

*Primary Examiner*—Brian N. Vinson

(74) *Attorney, Agent, or Firm*—Quarles & Brady LLP

(57) **CLAIM**

The ornamental design for a cabinet, as shown and described.

**DESCRIPTION**

In a preferred embodiment, the nature of this product is as a medicine cabinet having a side to side movable shelf system.

FIG. 1 is a top, left, front perspective view of a cabinet embodying my new design;

FIG. 2 is a front elevational view thereof;

FIG. 3 is a left side elevational view thereof, the right side elevational view being identical to the left side shown;

FIG. 4 is a top plan view thereof, the bottom plan view being identical thereto, albeit rotated 180 degrees;

FIG. 5 is a top, left, front perspective view thereof showing the deployment of the movable shelf system of the FIG. 1 cabinet, the left and right side elevational views of the FIG. 5 cabinet being identical to that shown in FIG. 3;

FIG. 6 is a front elevational view of the FIG. 5 cabinet;

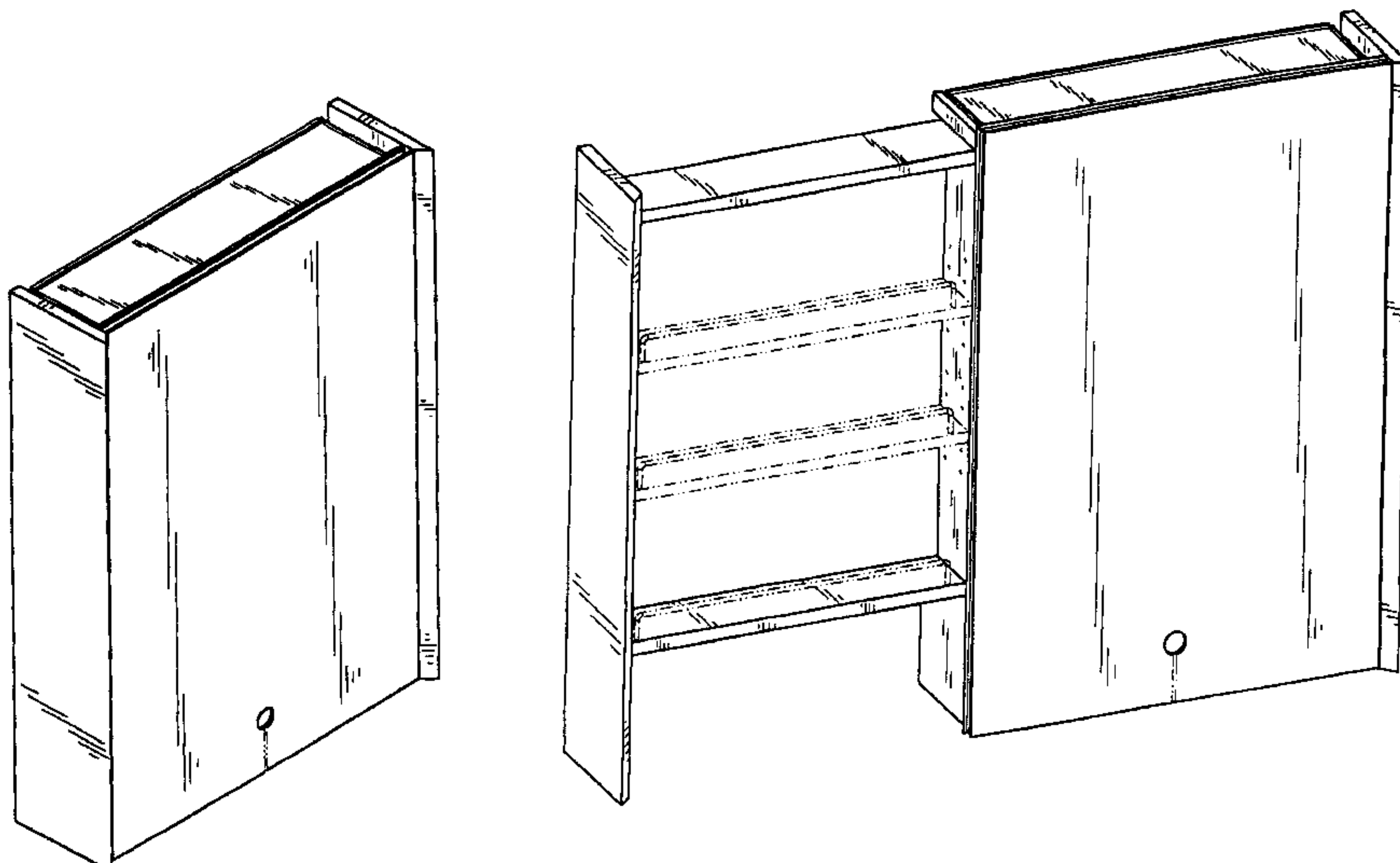
FIG. 7 is a top plan view of the FIG. 5 cabinet, the bottom plan view being identical thereto, albeit rotated 180 degrees;

FIG. 8 is a top, right, front perspective view showing that the movable shelf system can be adapted to deploy in an opposite direction from that depicted in FIG. 5, the left and right side elevational views of the FIG. 8 cabinet being identical to that shown in FIG. 3, the front elevational view of the FIG. 8 cabinet being a mirror image of that shown in FIG. 6, the top plan view of the FIG. 8 cabinet being a mirror image of that shown in FIG. 7, and the bottom plan view of the FIG. 8 cabinet being identical to the top plan view of the FIG. 8 cabinet, albeit rotated 180 degrees; and,

FIG. 9 is a top, left, front perspective view of the cabinet, albeit without the top panel shown in FIG. 1 so that the top shelf is visible, the front elevational view of the FIG. 9 cabinet being identical to that shown in FIG. 2, and the left and right side elevational views of the FIG. 9 cabinet being identical to that shown in FIG. 3.

The broken line representations of a drain groove in FIGS. 1, 2, 5, 6, 8, and 9, of shelves in FIGS. 5, 6, and 8, of rods in FIGS. 5, 6, and 8, and of holes in FIGS. 5 and 8, are for the purpose of illustration only, and form no part of the claimed design.

**1 Claim, 6 Drawing Sheets**



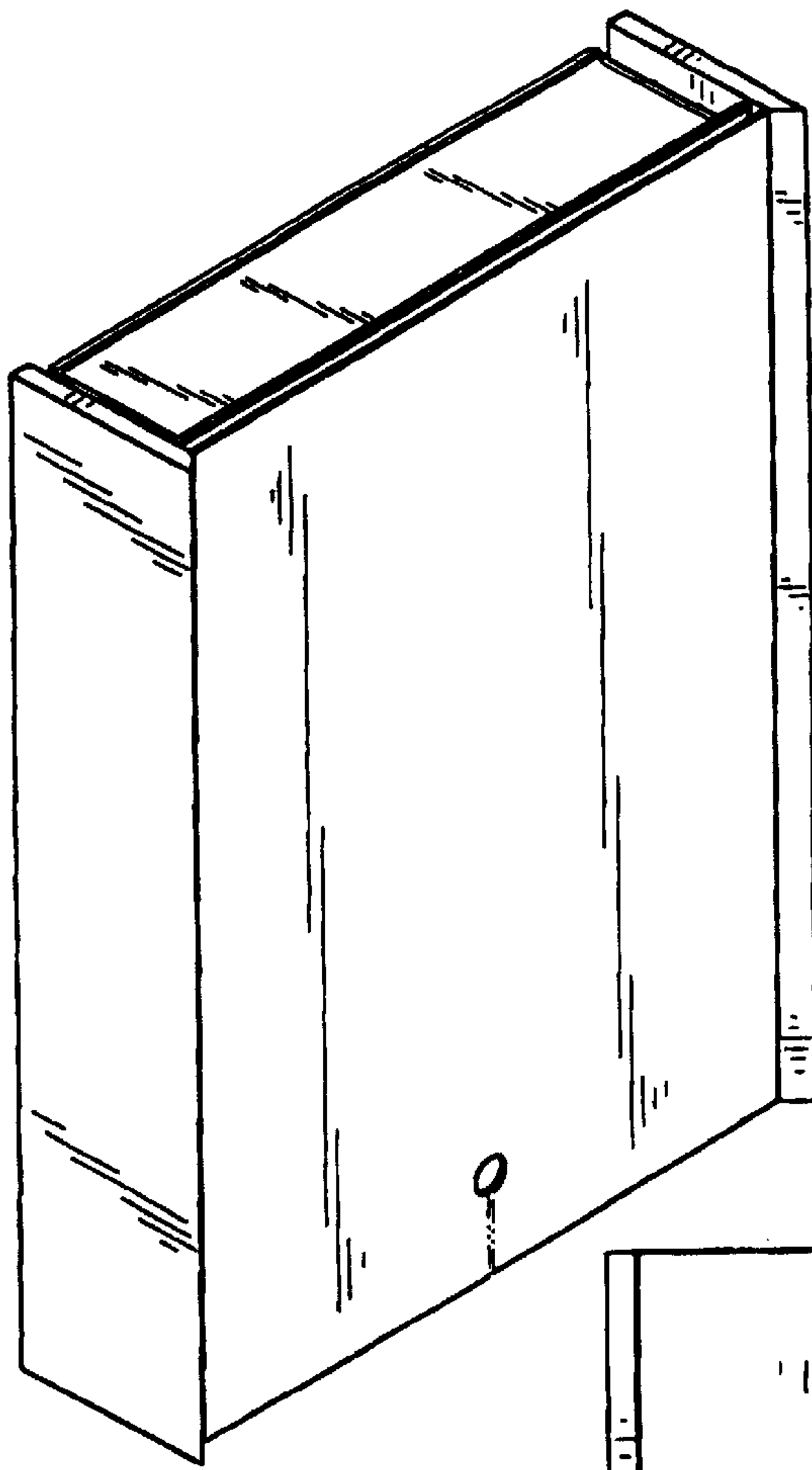
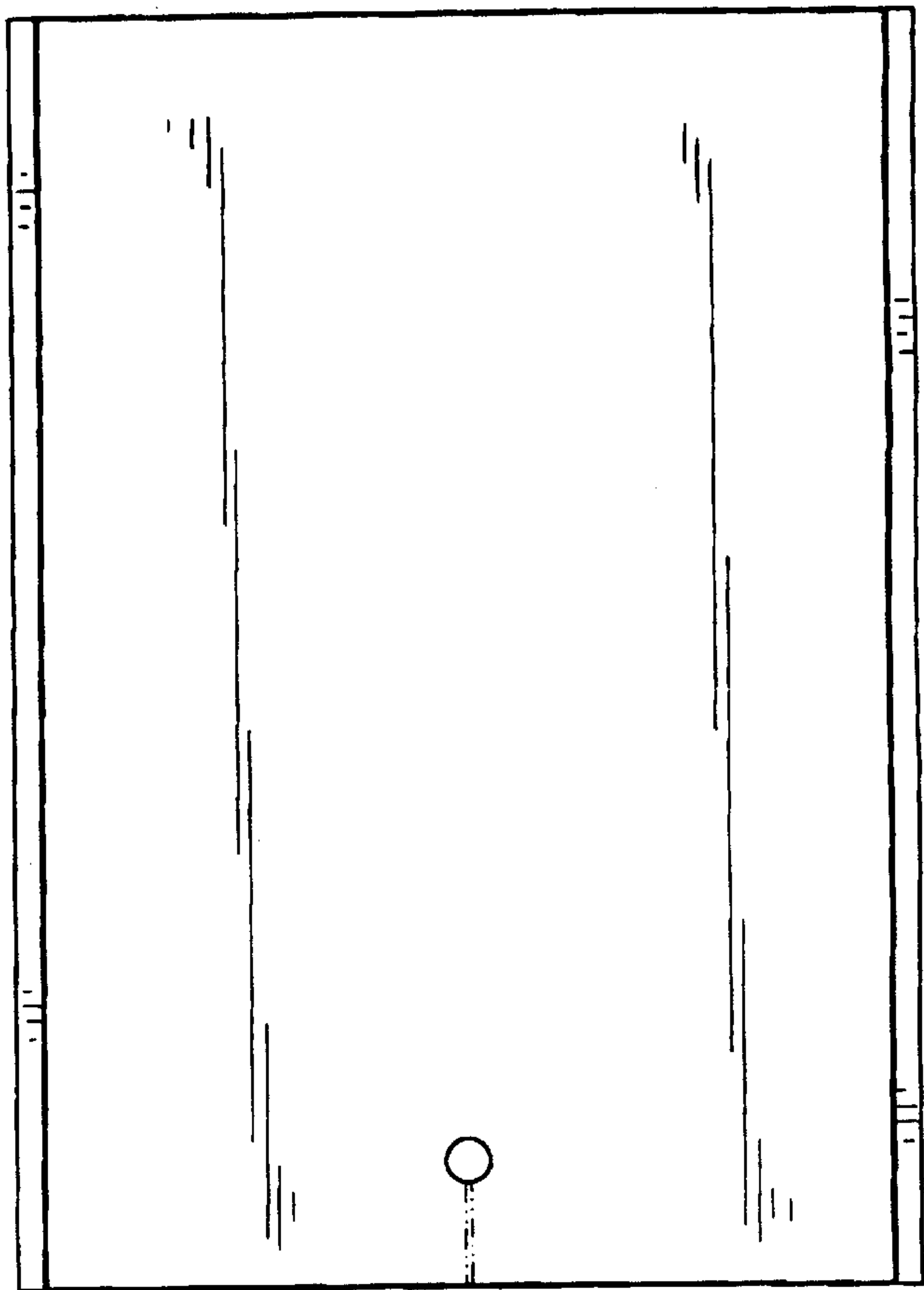


FIG. 1

FIG. 2



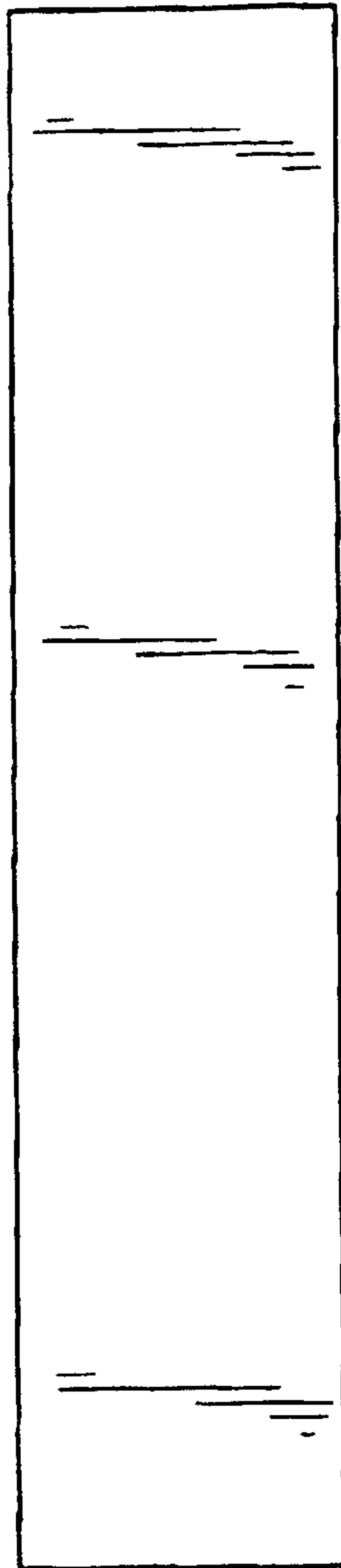


FIG. 3

FIG. 4

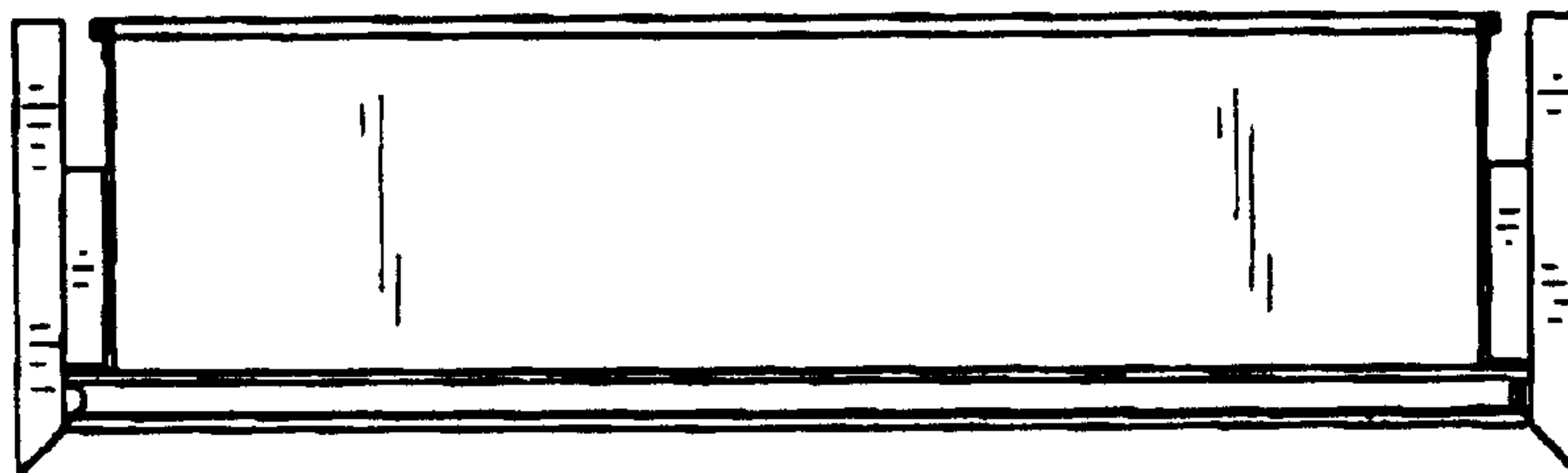
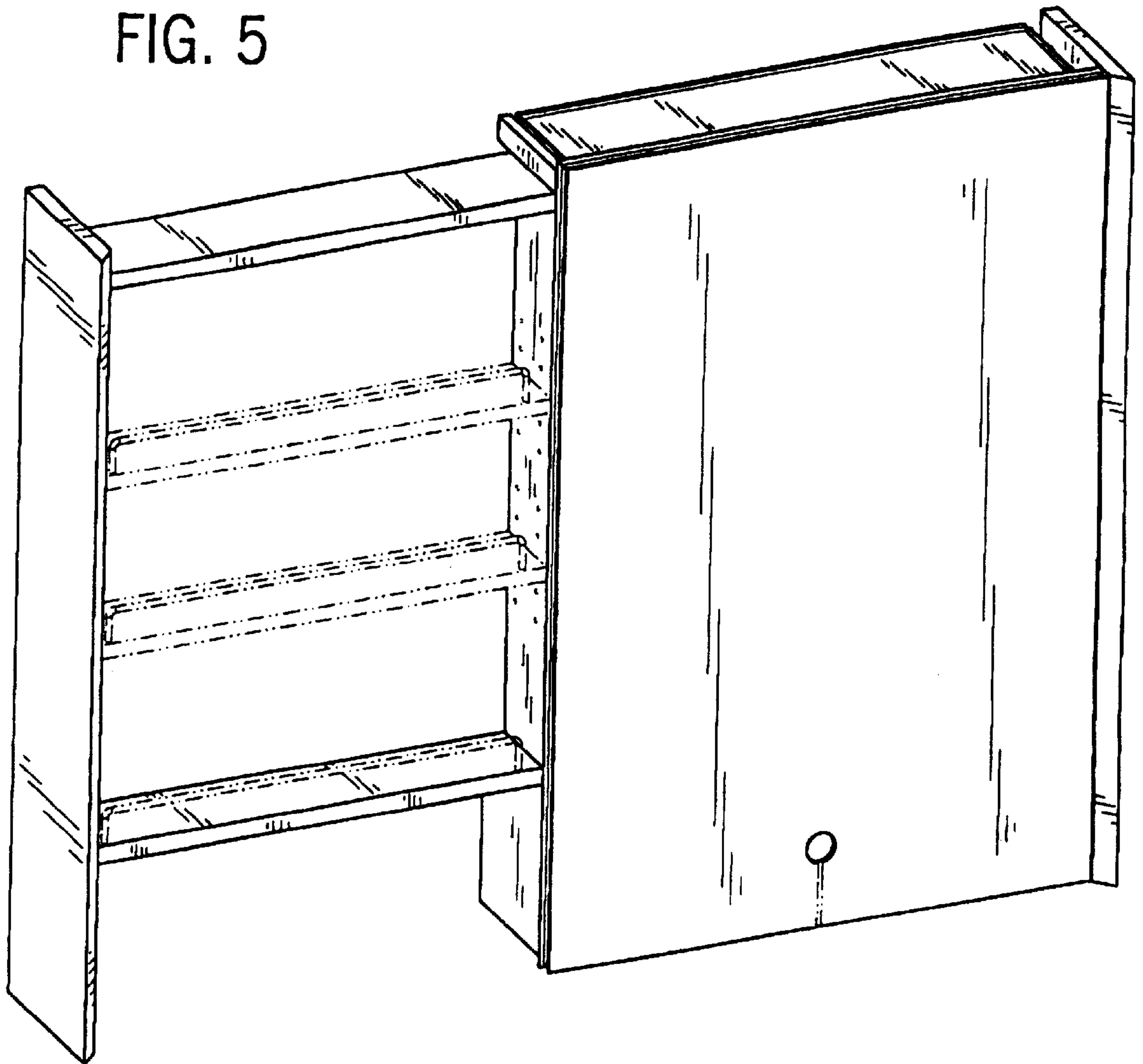


FIG. 5



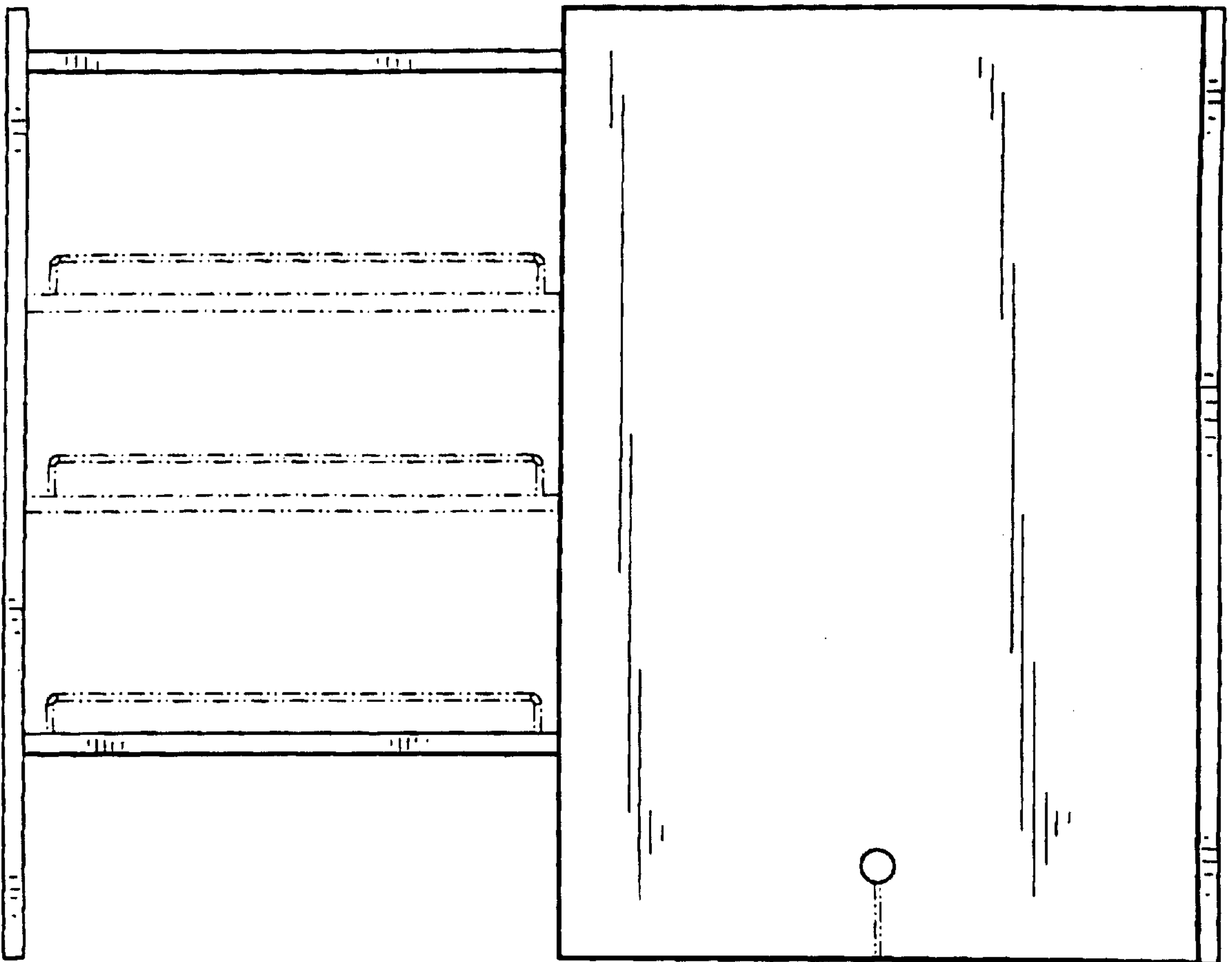


FIG. 6

FIG. 7

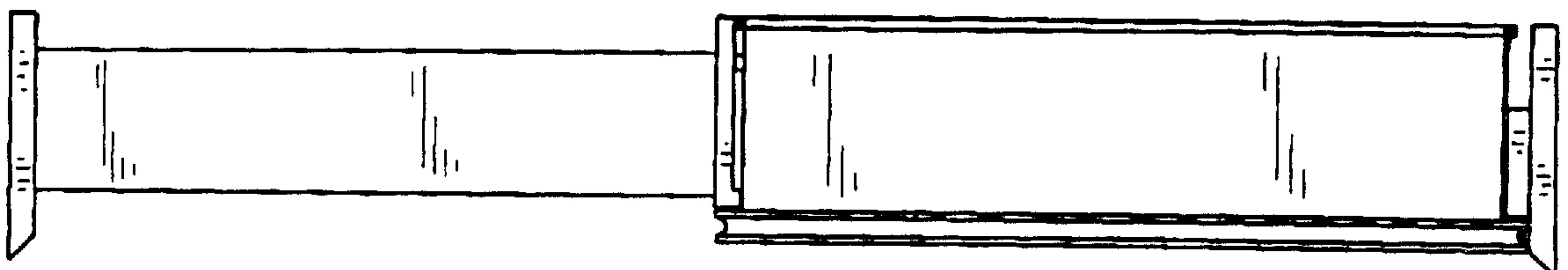
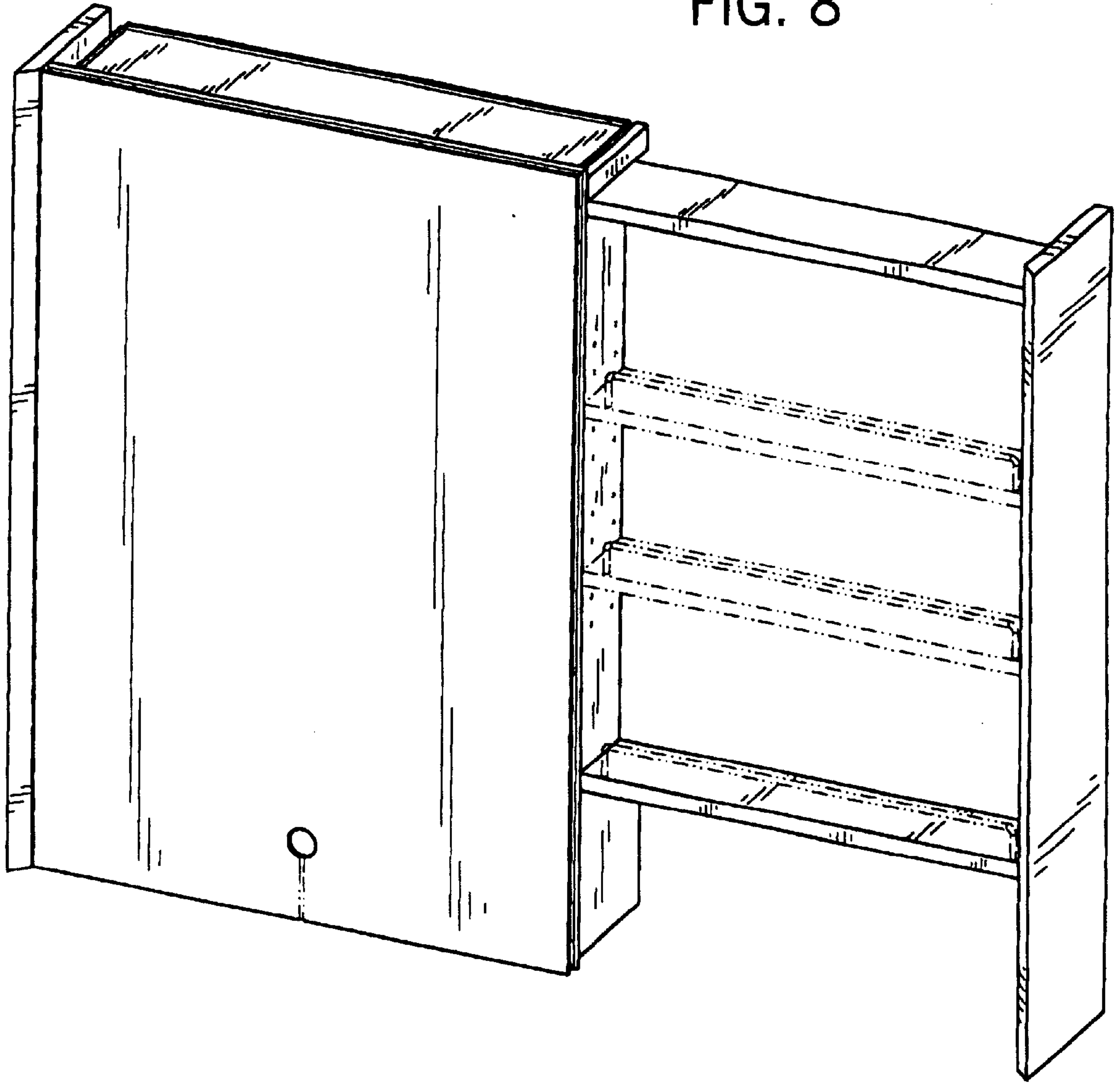


FIG. 8





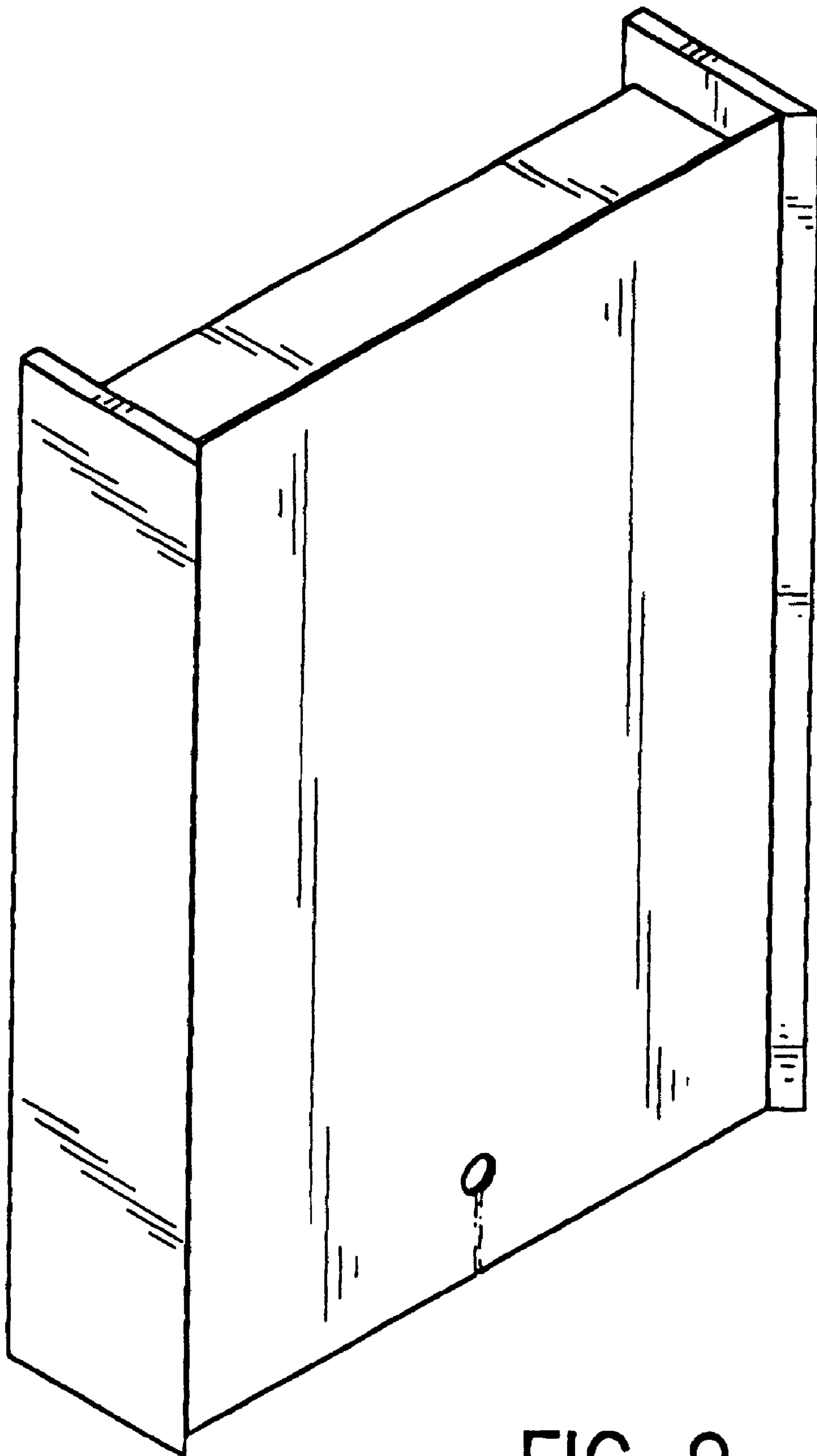


FIG. 9