



US00D471047S

(12) **United States Design Patent**
Gordon et al.

(10) **Patent No.:** **US D471,047 S**

(45) **Date of Patent:** **** Mar. 4, 2003**

(54) **LIQUID DISPENSING CARTRIDGE**

(76) Inventors: **Tal Gordon**, 26 Alexander the Great Street, Hod Hasharon 45240 (IL); **Erel Benjamini**, 5A Rachel Hameshoreret Street, Kfar Saba 44378 (IL)

(**) Term: **14 Years**

(21) Appl. No.: **29/148,645**

(22) Filed: **Sep. 14, 2001**

(51) **LOC (7) Cl.** **23-02**

(52) **U.S. Cl.** **D6/545**

(58) **Field of Search** D6/542-545; 206/77.1; 211/13.1, 71.01, 74, 75, 86.01; 221/45, 208, 282-283; 222/105, 173, 180, 181.1-181.3

(56) **References Cited**

U.S. PATENT DOCUMENTS

4,164,306 A * 8/1979 Perrin 222/181.2
D331,516 S * 12/1992 Waring D6/545
D332,544 S * 1/1993 Steiner et al. D6/545

5,566,842 A * 10/1996 Dennis 211/87.01
D404,950 S * 2/1999 Burch D6/545
D443,783 S * 6/2001 Kauzlarich et al. D6/545

* cited by examiner

Primary Examiner—Brian N. Vinson
(74) *Attorney, Agent, or Firm*—Browdy and Neimark, P.L.L.C.

(57) **CLAIM**

The ornamental design for “liquid dispensing cartridge”, as shown and described.

DESCRIPTION

FIG. 1 show a bottom view of the present liquid dispensing cartridge.

FIG. 2 shows a left side view thereof.

FIG. 3 shows a front view thereof.

FIG. 4 shows a right side view thereof.

FIG. 5 shows a back view thereof.

FIG. 6 shows a top view thereof; and,

FIG. 7 shows a perspective view thereof.

1 Claim, 7 Drawing Sheets

PERSPECTIVE VIEW

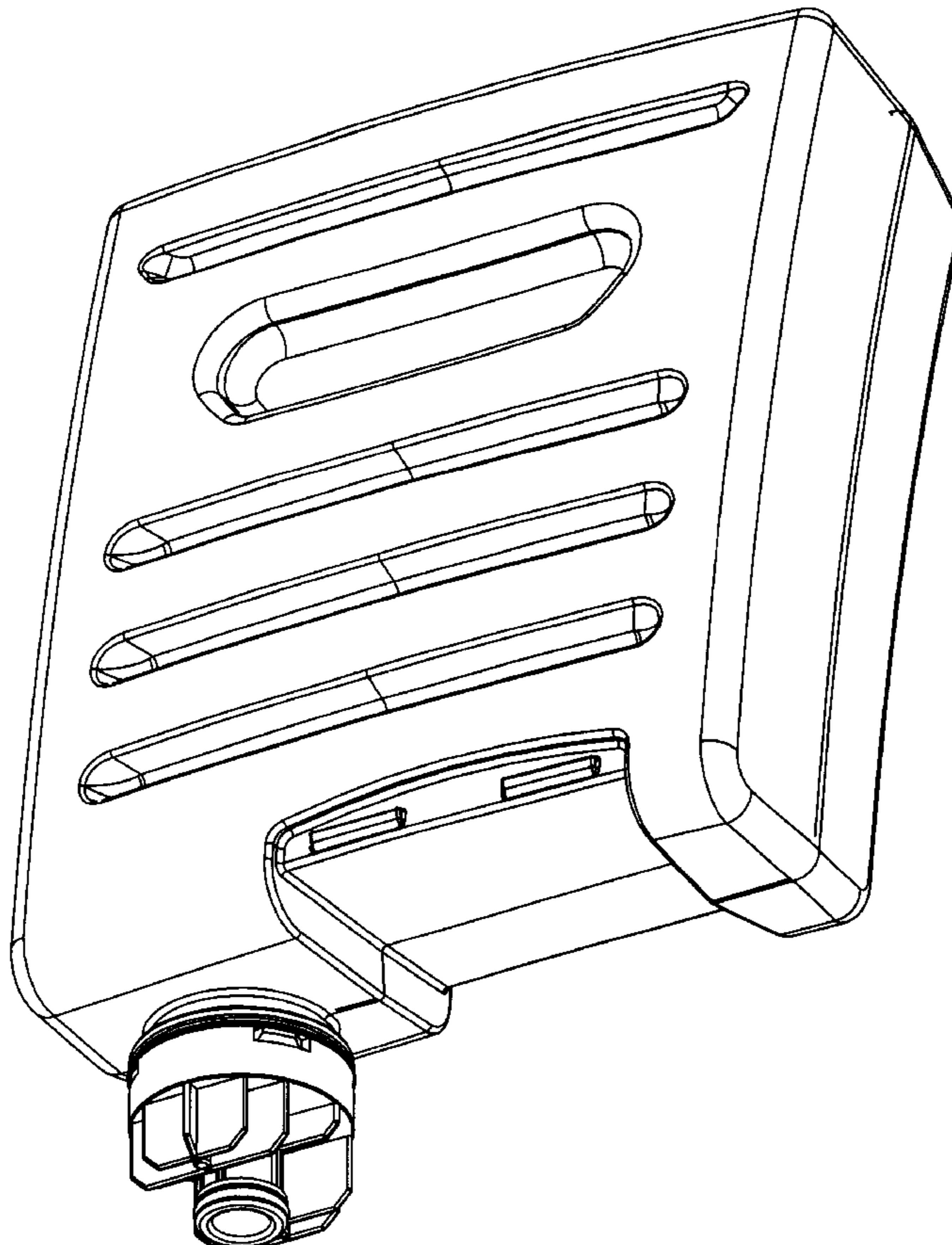


FIG. 1
BOTTOM VIEW

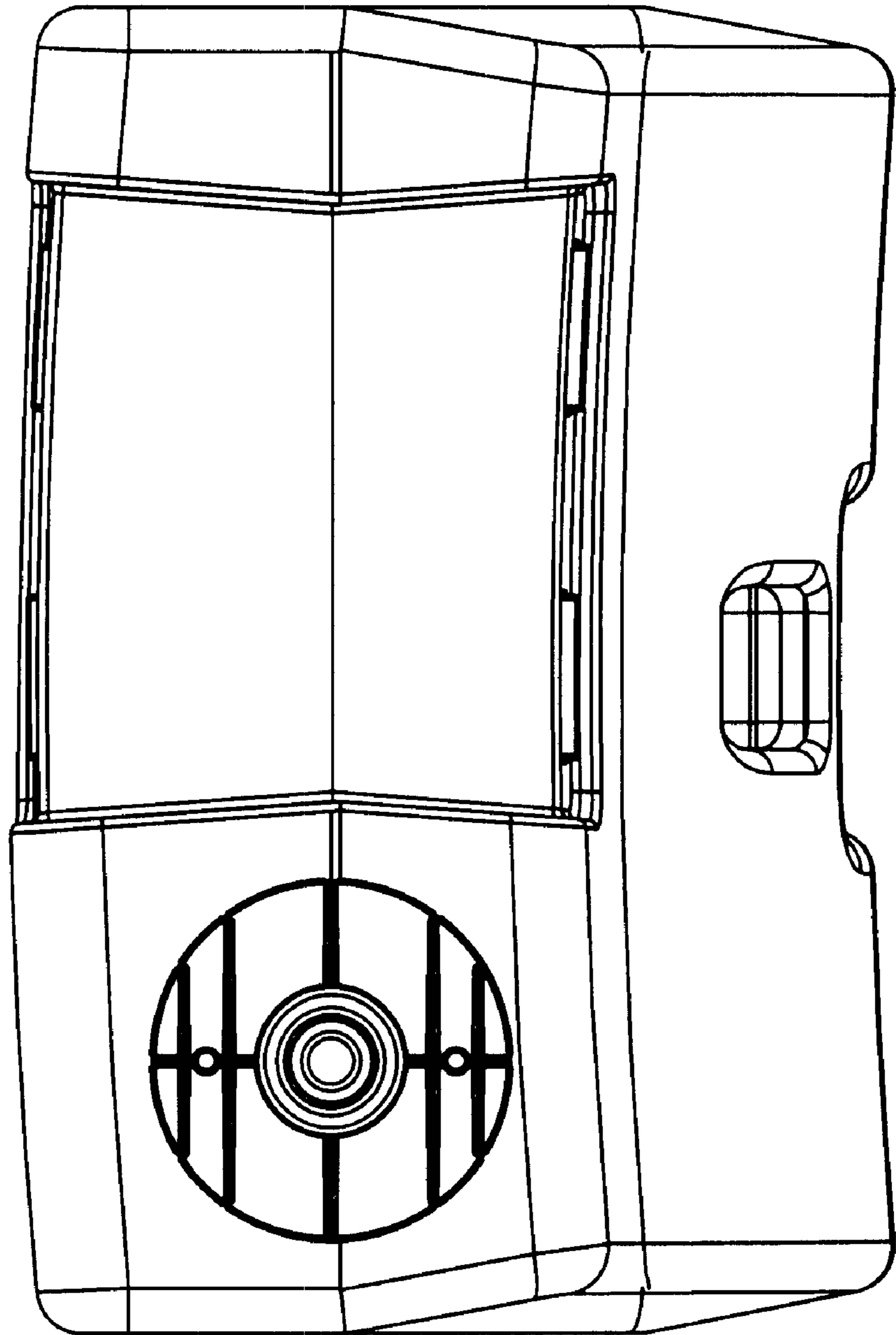


FIG. 2
LEFT SIDE VIEW

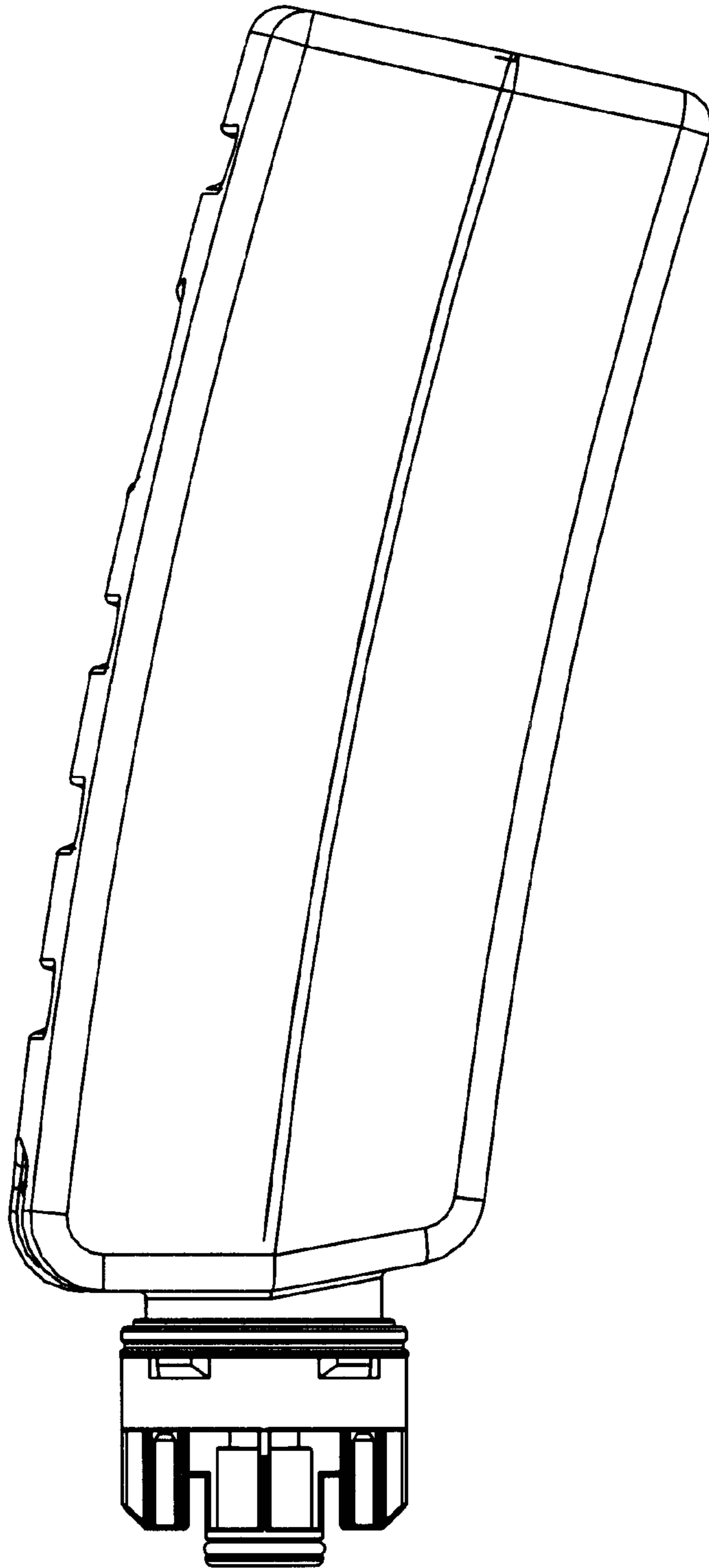


FIG. 3

FRONT VIEW

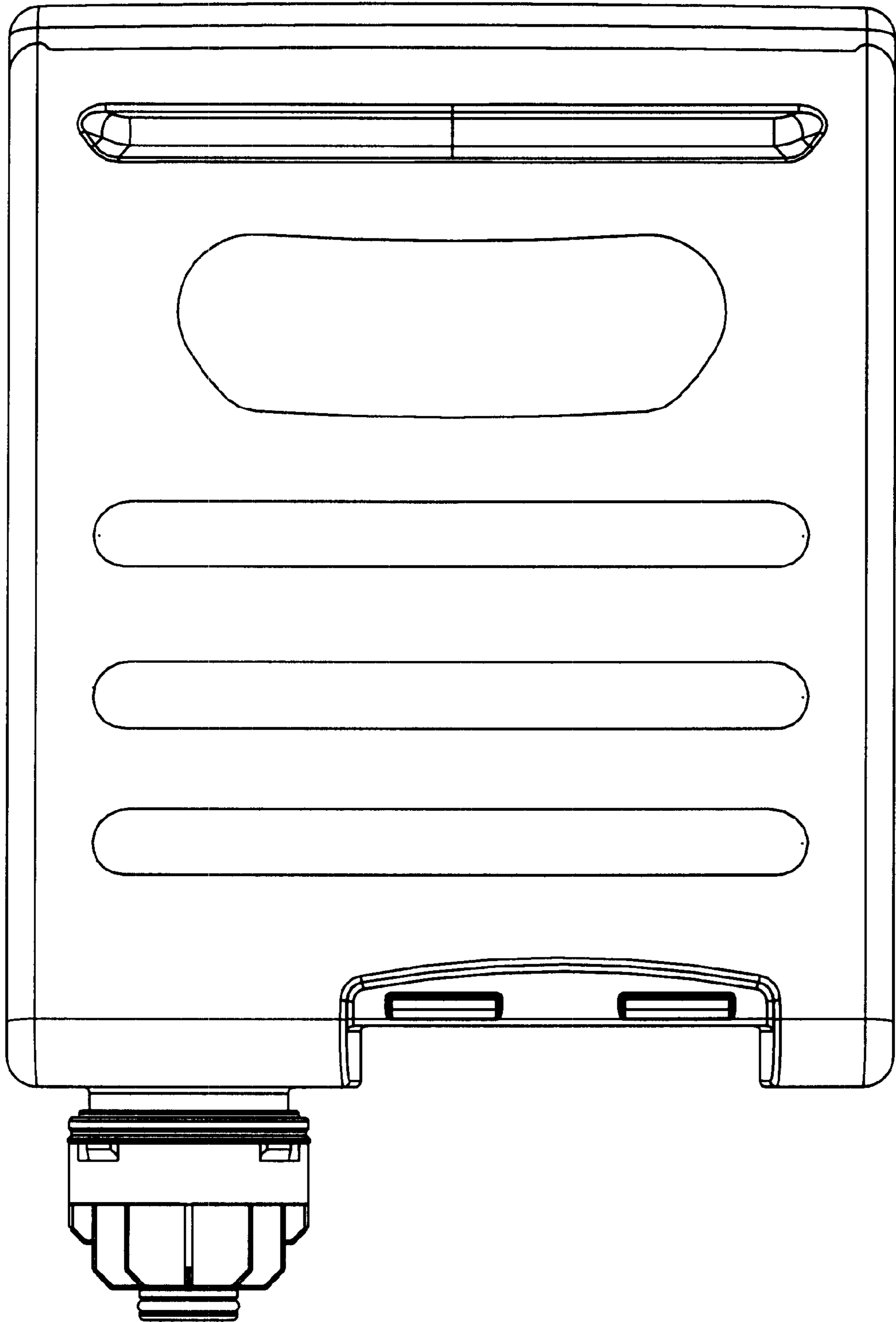


FIG. 4
RIGHT SIDE VIEW

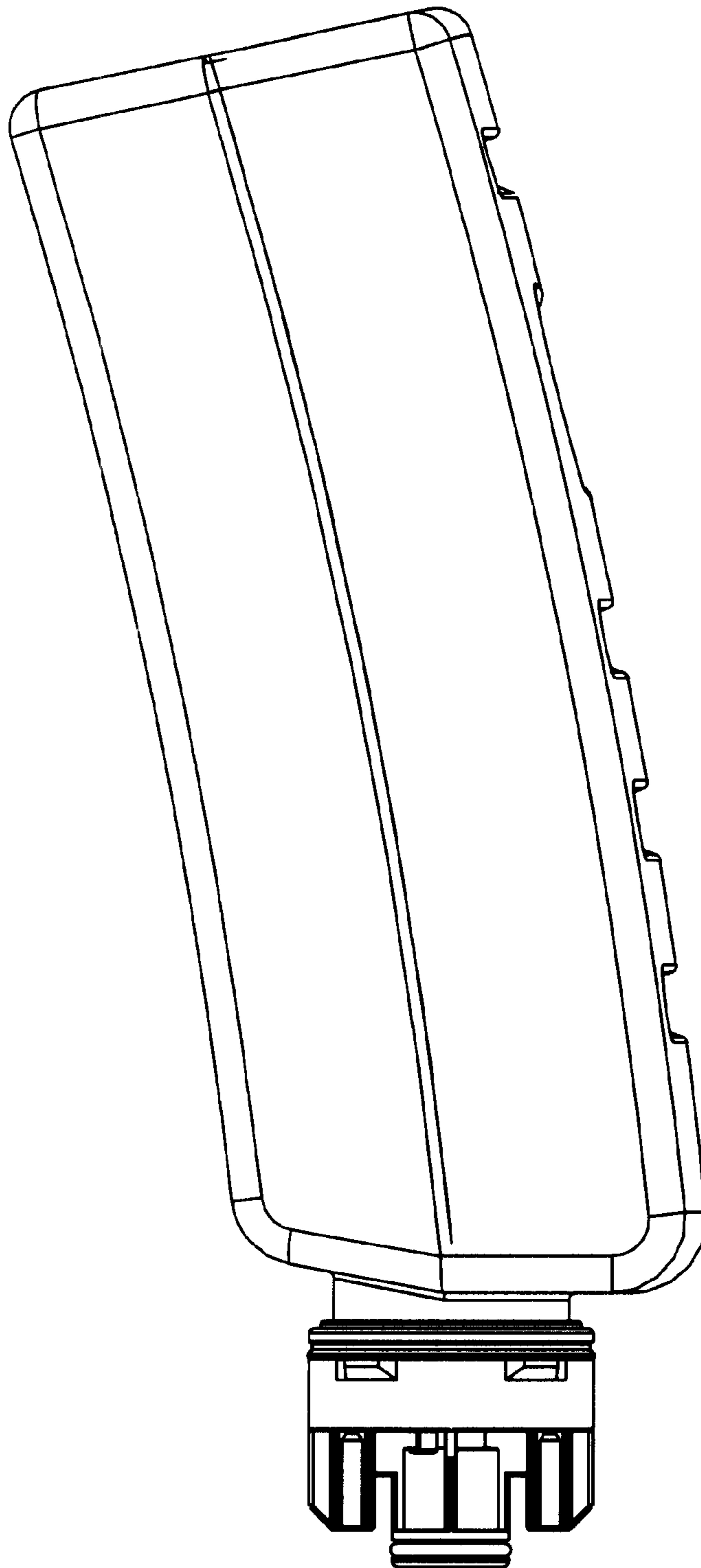


FIG. 5

BACK VIEW

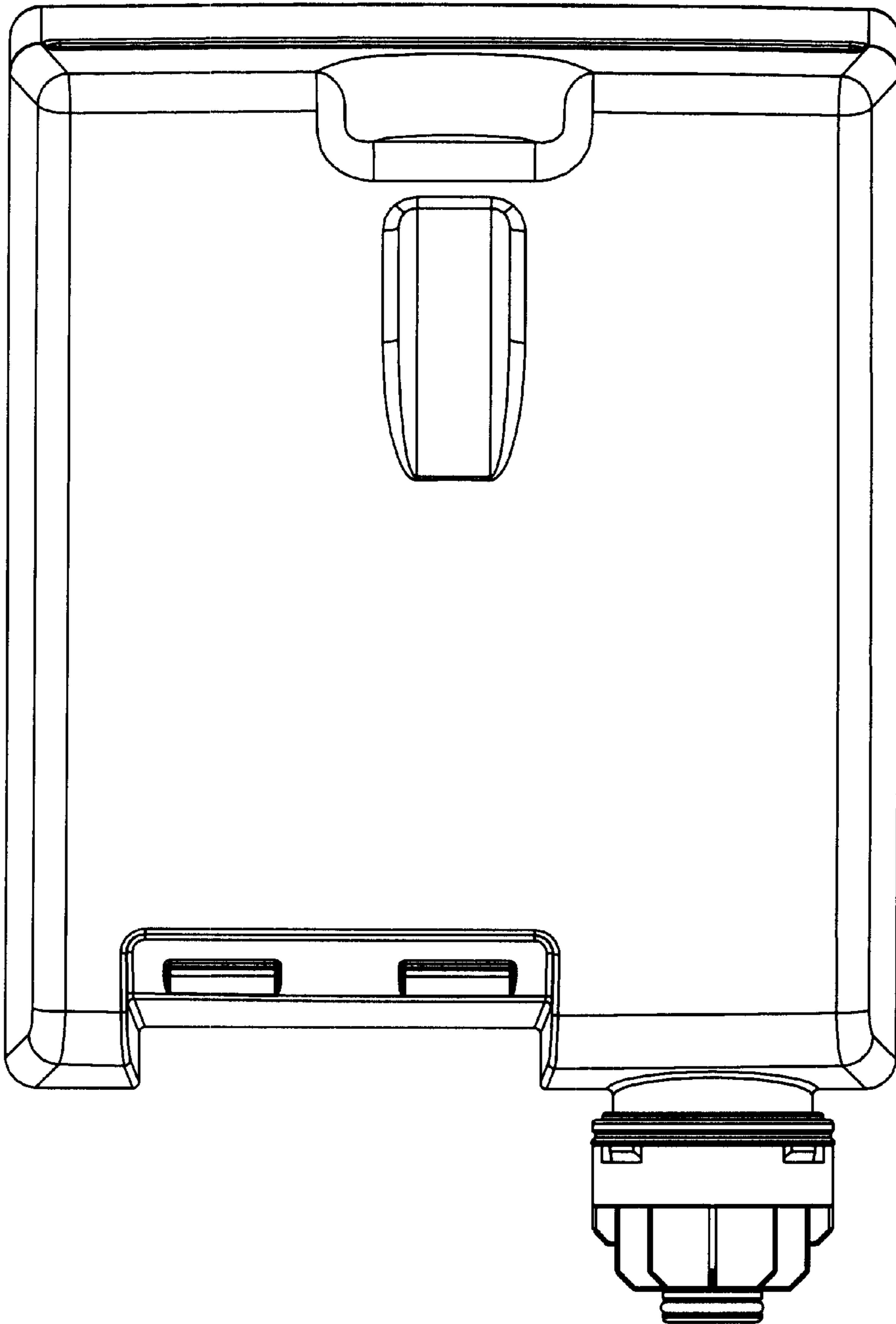


FIG. 6
TOP VIEW

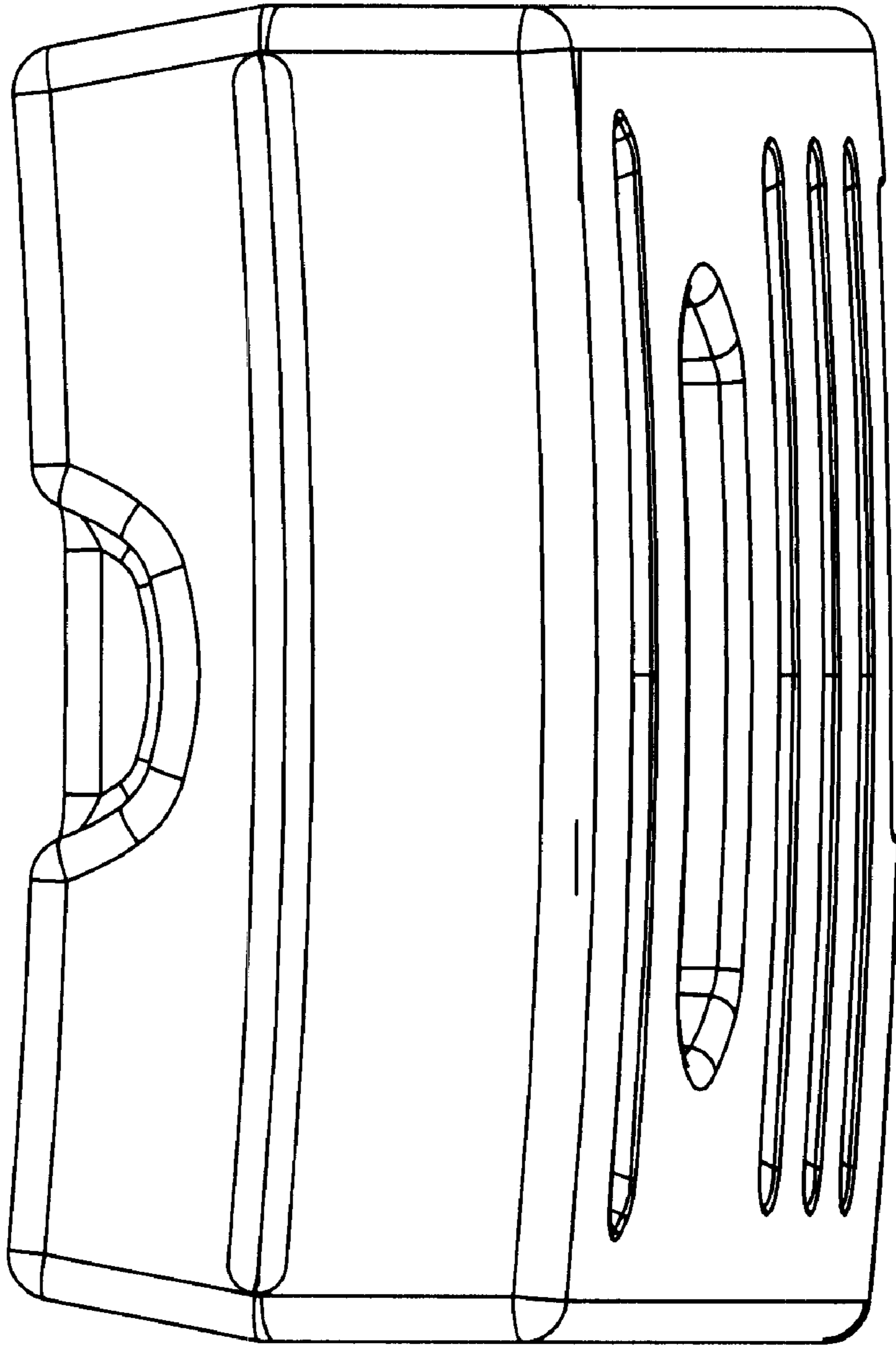


FIG. 7
PERSPECTIVE VIEW

