



US00D471046S

(12) **United States Design Patent**
Hagemann et al.

(10) **Patent No.:** **US D471,046 S**

(45) **Date of Patent:** **** Mar. 4, 2003**

(54) **DISPENSER**

(75) Inventors: **Uwe Hagemann**, Port Sunlight (GB);
Steven Hayes, Port Sunlight (GB);
Raymond Honey, Port Sunlight (GB);
Giles Michael Hopley, London (GB);
Colin Watt Kerr, Port Sunlight (GB)

(73) Assignee: **Unilever Home & Personal Care USA**, a division of **Conopco, Inc.**,
Greenwich, CT (US)

(**) Term: **14 Years**

(21) Appl. No.: **29/147,557**

(22) Filed: **Aug. 30, 2001**

(30) **Foreign Application Priority Data**

Mar. 9, 2001 (GB) 2100143

(51) **LOC (7) Cl.** **23-02**

(52) **U.S. Cl.** **D6/545**

(58) **Field of Search** D6/542-545; 206/77.1;
211/13.1, 71.01, 74, 75, 86.01; 221/45,
208, 282-283; 222/105, 173, 180, 181.1-181.3

(56) **References Cited**

U.S. PATENT DOCUMENTS

2,507,901 A * 5/1950 Green 222/180 X

D277,910 S * 3/1985 Hoyt D6/545
D352,626 S * 11/1994 Vignot D6/545
D426,994 S * 6/2000 Hansen et al. D6/545
D450,505 S * 11/2001 DaUscio D6/545
D457,026 S * 5/2002 Chen D6/545

* cited by examiner

Primary Examiner—Brian N. Vinson

(74) *Attorney, Agent, or Firm*—Kevin J. Stein

(57) **CLAIM**

An ornamental design for the dispenser, as shown and described.

DESCRIPTION

FIG. 1 is a perspective view of a dispenser in accordance with our new design;

FIG. 2 is a front elevational view thereof;

FIG. 3 is a right side elevational view thereof;

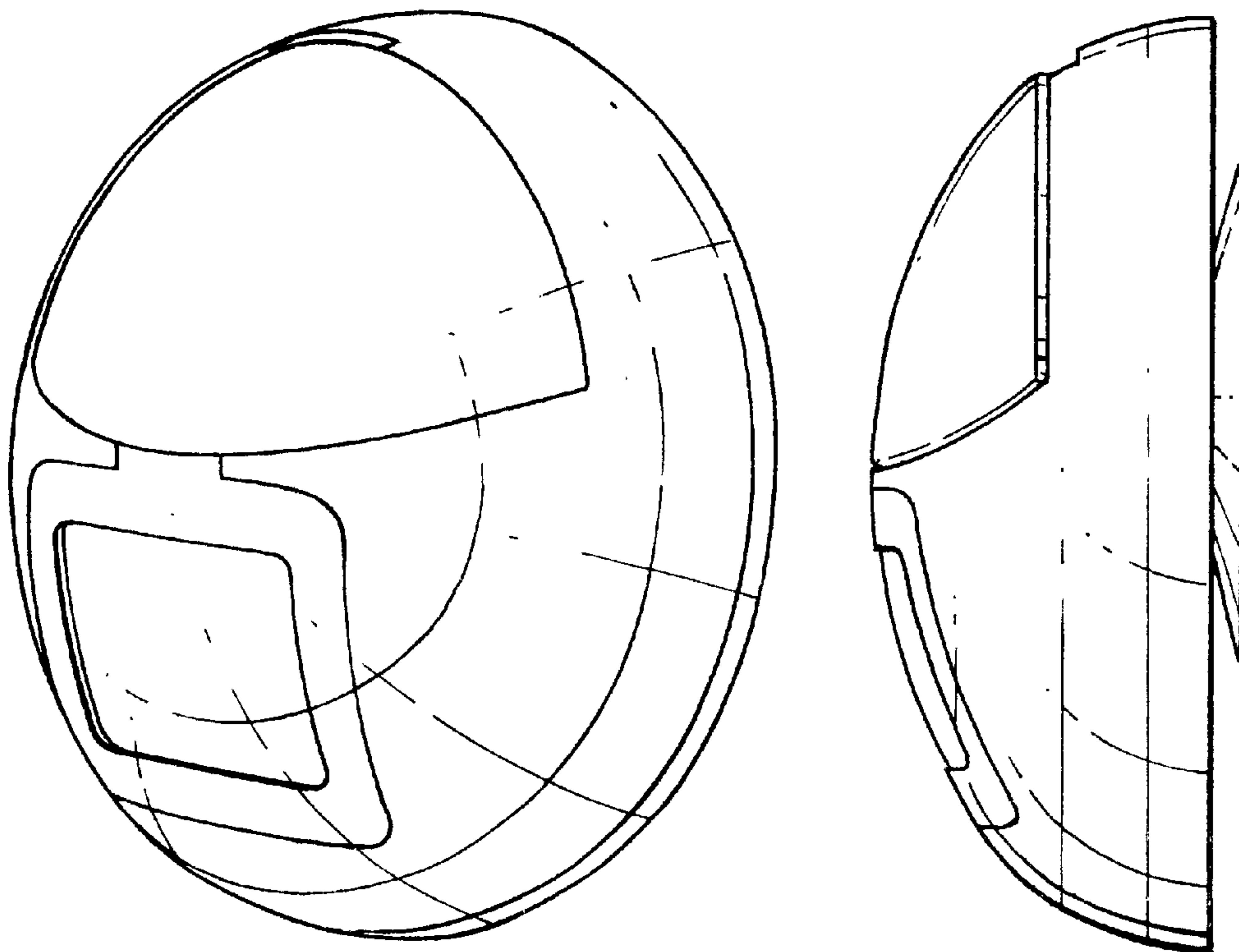
FIG. 4 is a rear elevational view thereof;

FIG. 5 is a left side elevational view thereof;

FIG. 6 is a top plan view thereof; and,

FIG. 7 is a bottom plan view thereof.

1 Claim, 2 Drawing Sheets



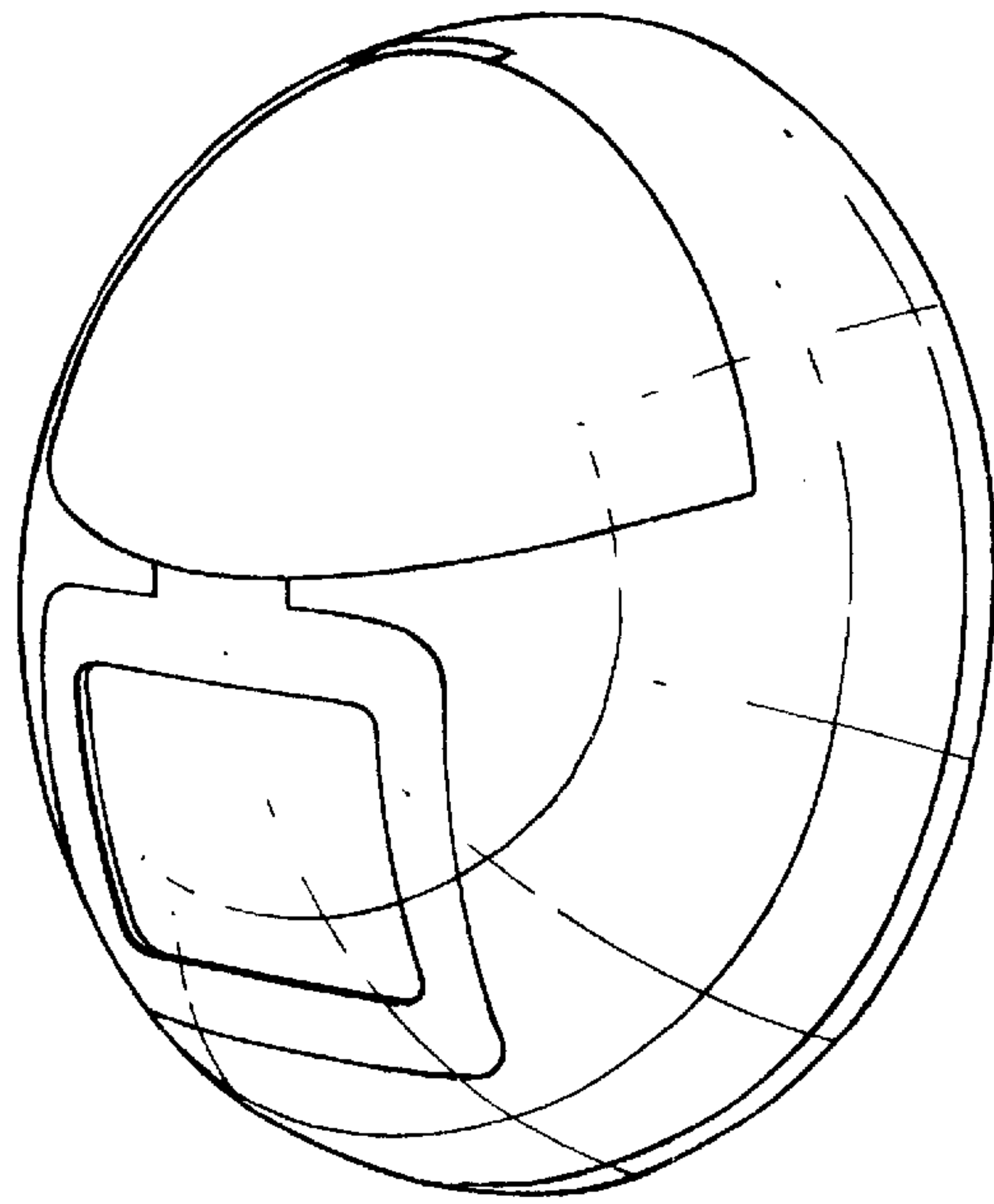


Fig. 1.

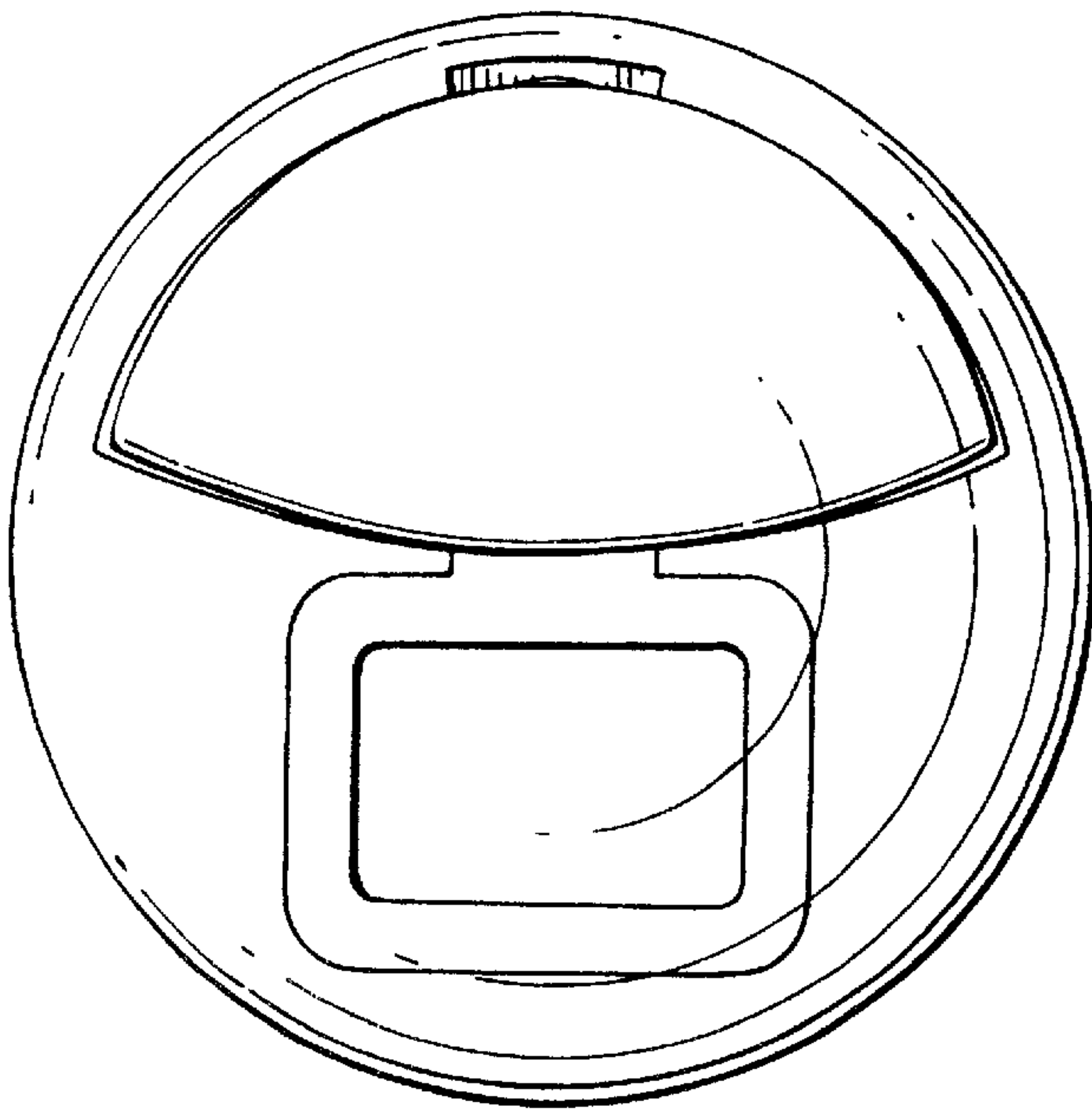


Fig. 2.

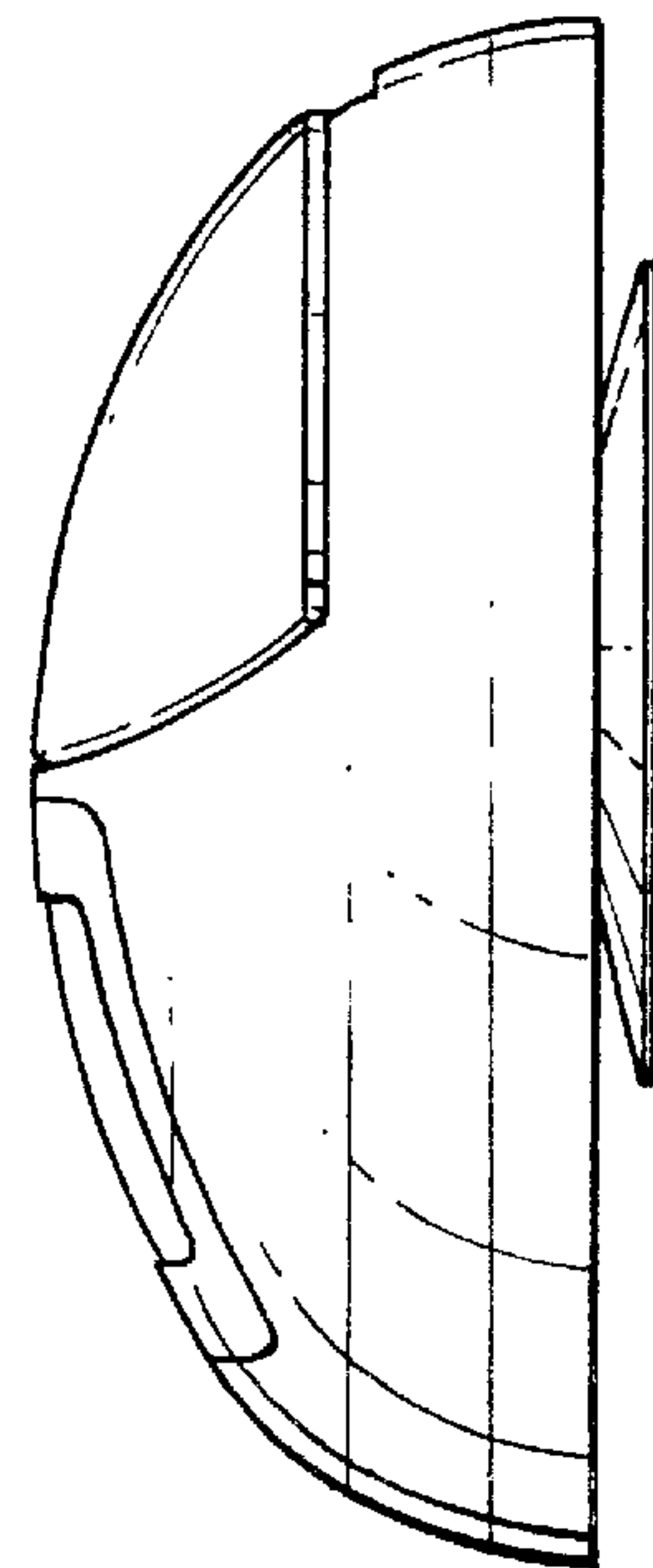


Fig. 3.

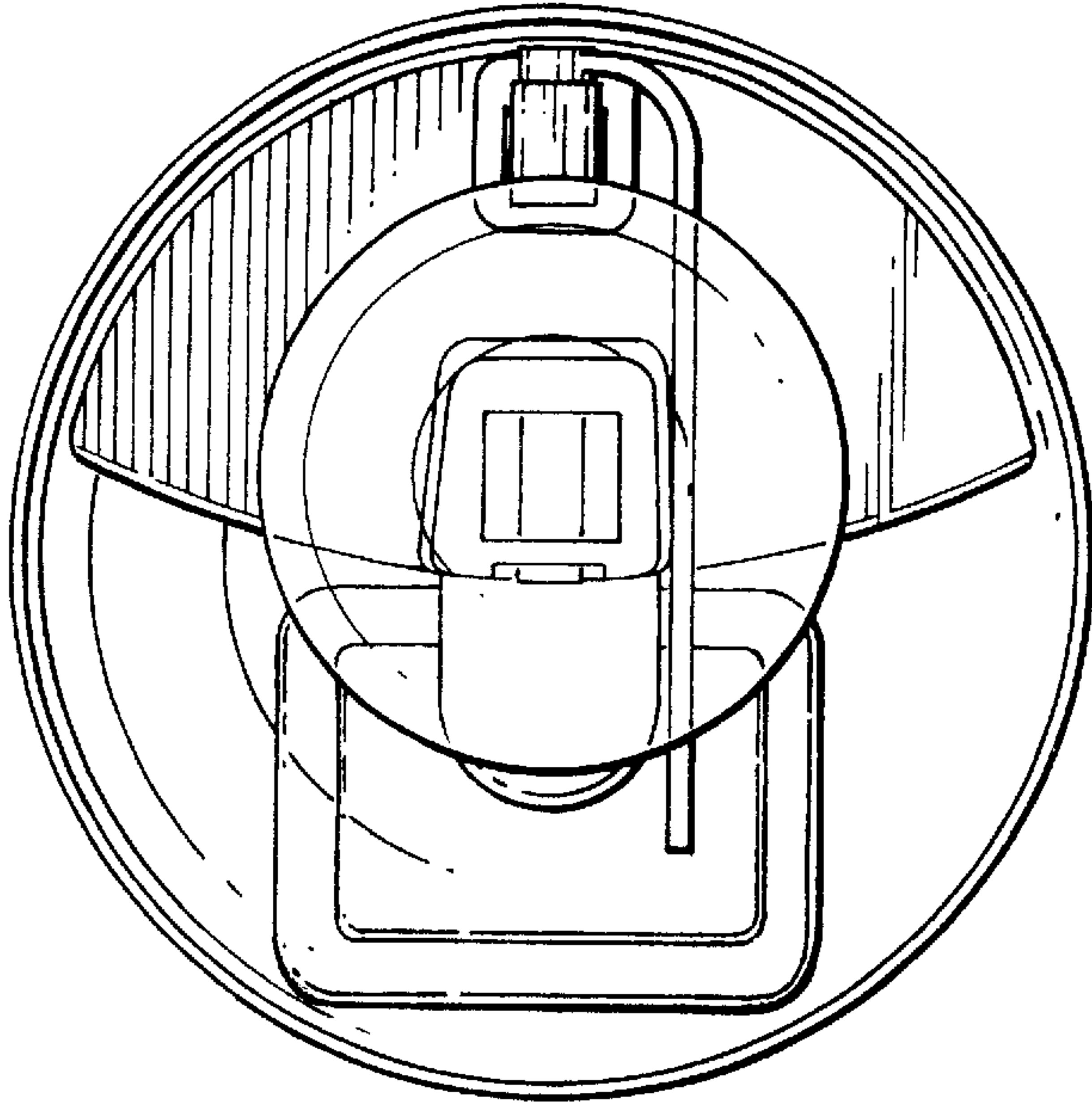


Fig.4.

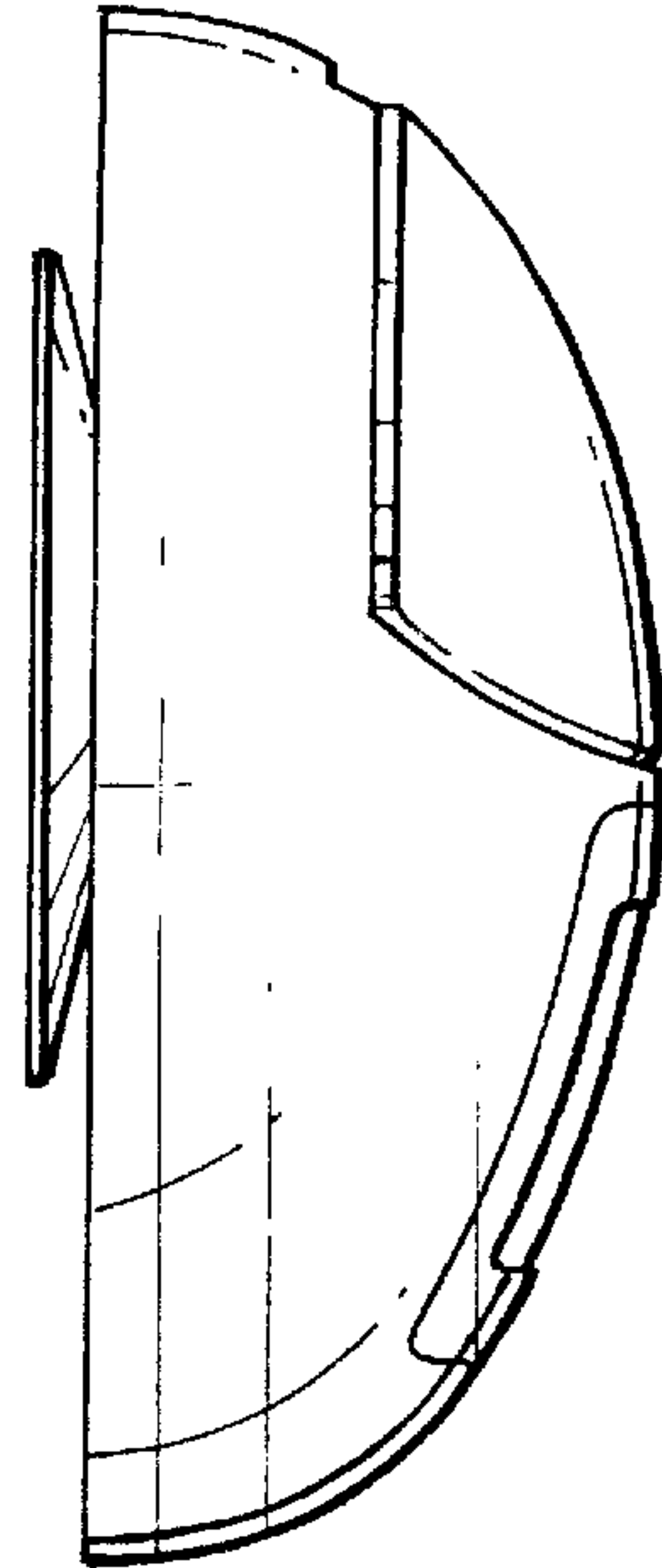


Fig.5

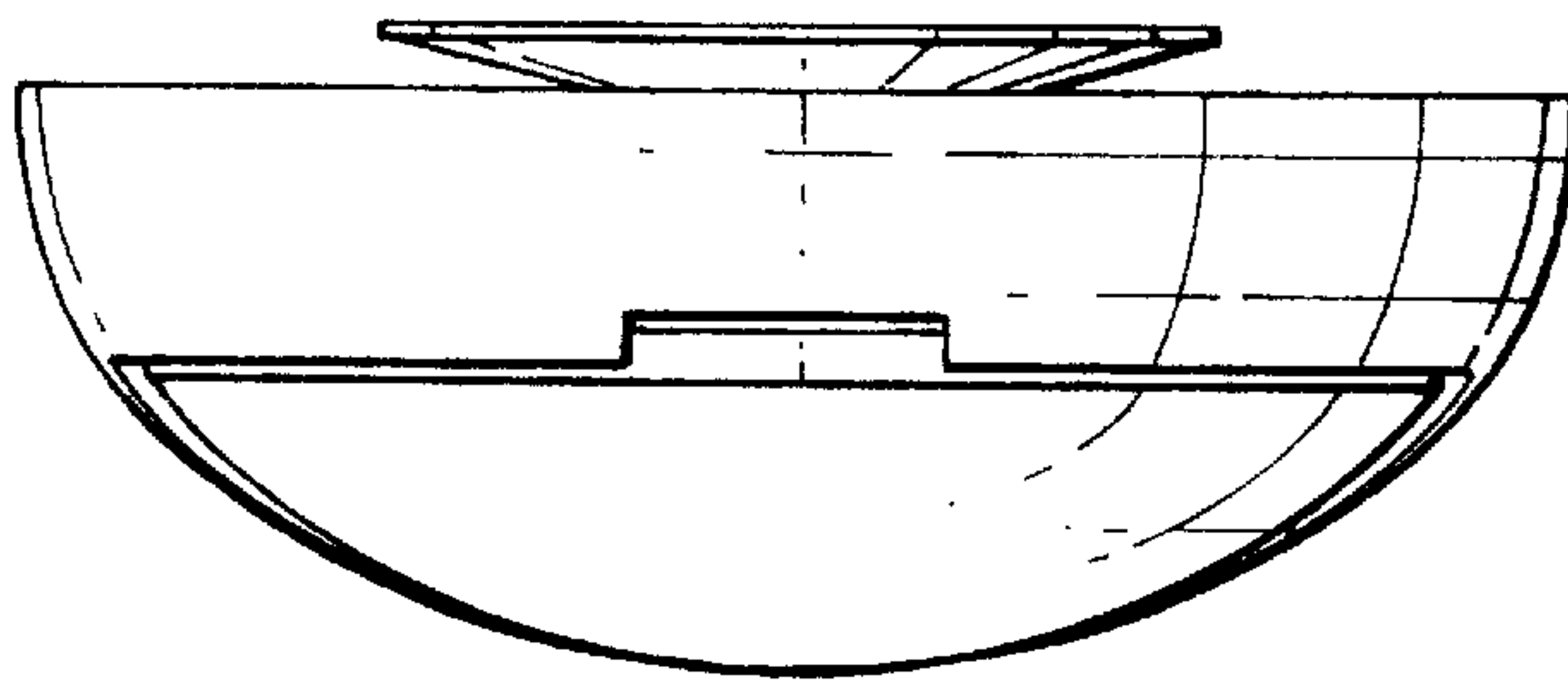


Fig.6.

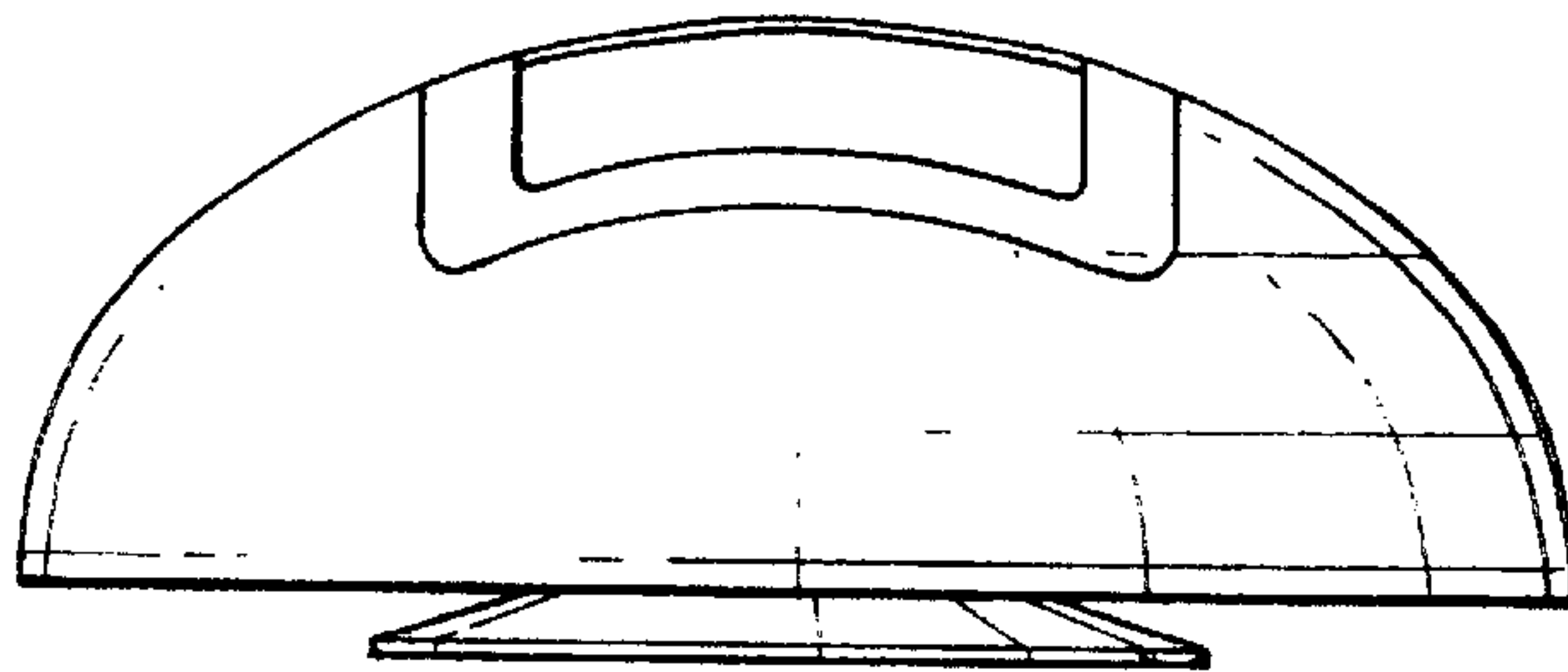


Fig.7.