



US00D471045S

(12) **United States Design Patent**
Cheng

(10) **Patent No.:** **US D471,045 S**

(45) **Date of Patent:** **** Mar. 4, 2003**

(54) **TOILET SUPPORTING FRAME WITH MIRROR**

(76) **Inventor:** **Yuan-Yen Cheng**, 235 Chung-Ho Box 8-24, Taipei (TW)

(**) **Term:** **14 Years**

(21) **Appl. No.:** **29/164,255**

(22) **Filed:** **Jul. 22, 2002**

(51) **LOC (7) Cl.** **23-02**

(52) **U.S. Cl.** **D6/525**

(58) **Field of Search** D6/524, 525, 566; 108/14; 211/13.1, 71, 74, 75, 86.01, 87.01, 88.01, 90.01, 90.03, 181.1

(56) **References Cited**

U.S. PATENT DOCUMENTS

- 3,789,996 A * 2/1974 Stroh 211/181.1 X
- D351,750 S * 10/1994 Sweeney D6/525
- D367,790 S * 3/1996 Munoz et al. D6/525
- D378,556 S * 3/1997 Munoz D6/525

- D415,916 S * 11/1999 Hofman et al. D6/525
- D446,670 S * 8/2001 Emery et al. D6/525
- D447,900 S * 9/2001 Wright D6/525
- D461,668 S * 8/2002 Zadro D6/525

* cited by examiner

Primary Examiner—Brian N. Vinson

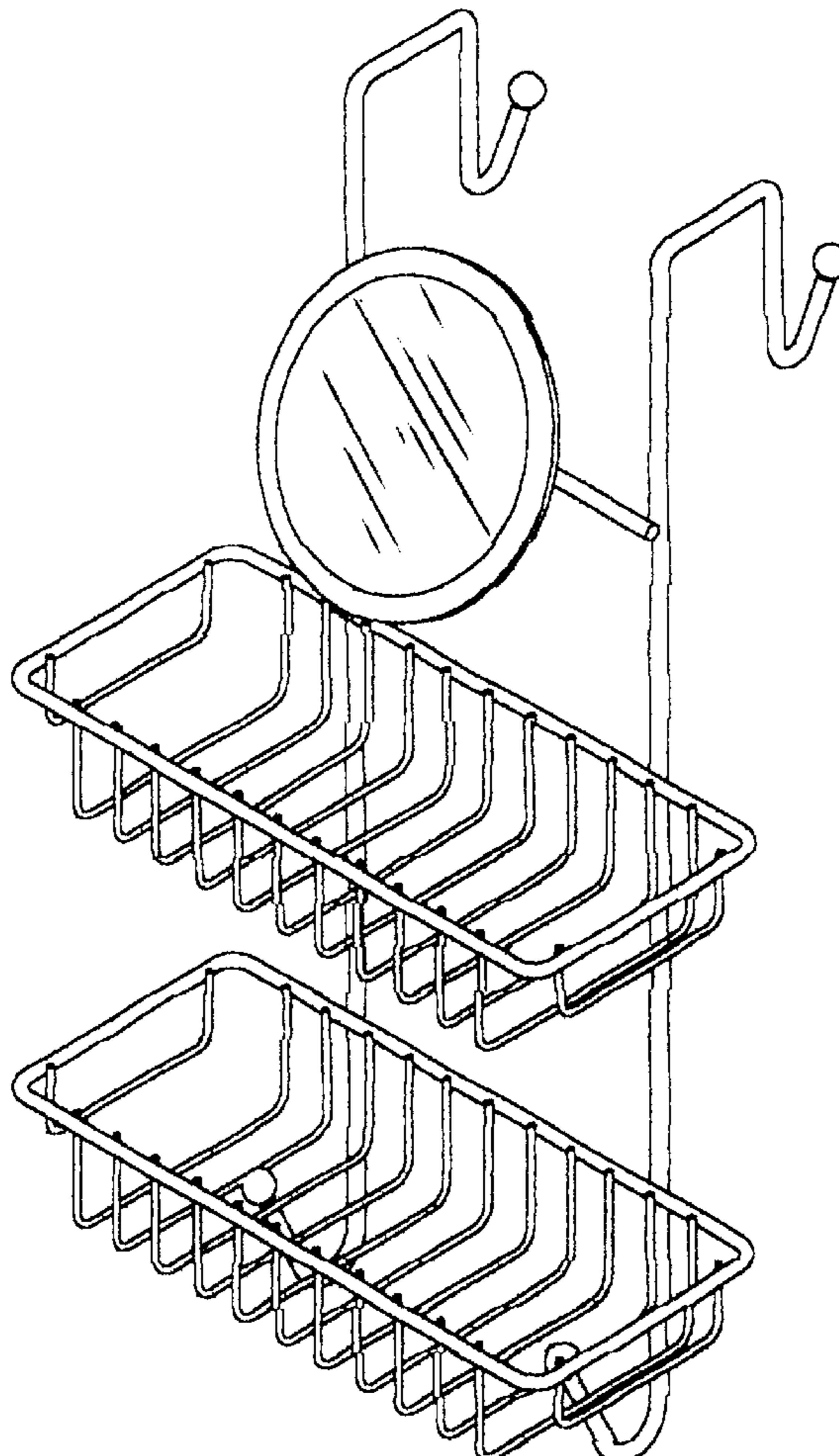
(57) **CLAIM**

The ornamental design for a toilet supporting frame with mirror, as shown and described.

DESCRIPTION

FIG. 1 is a front elevational view of a toilet supporting frame with mirror showing my new design; FIG. 2 is a rear elevational view thereof; FIG. 3 is a left side view thereof; FIG. 4 is a right side view thereof; FIG. 5 is a top plan view thereof; FIG. 6 is a bottom plan view thereof; and, FIG. 7 is a perspective view thereof.

1 Claim, 4 Drawing Sheets



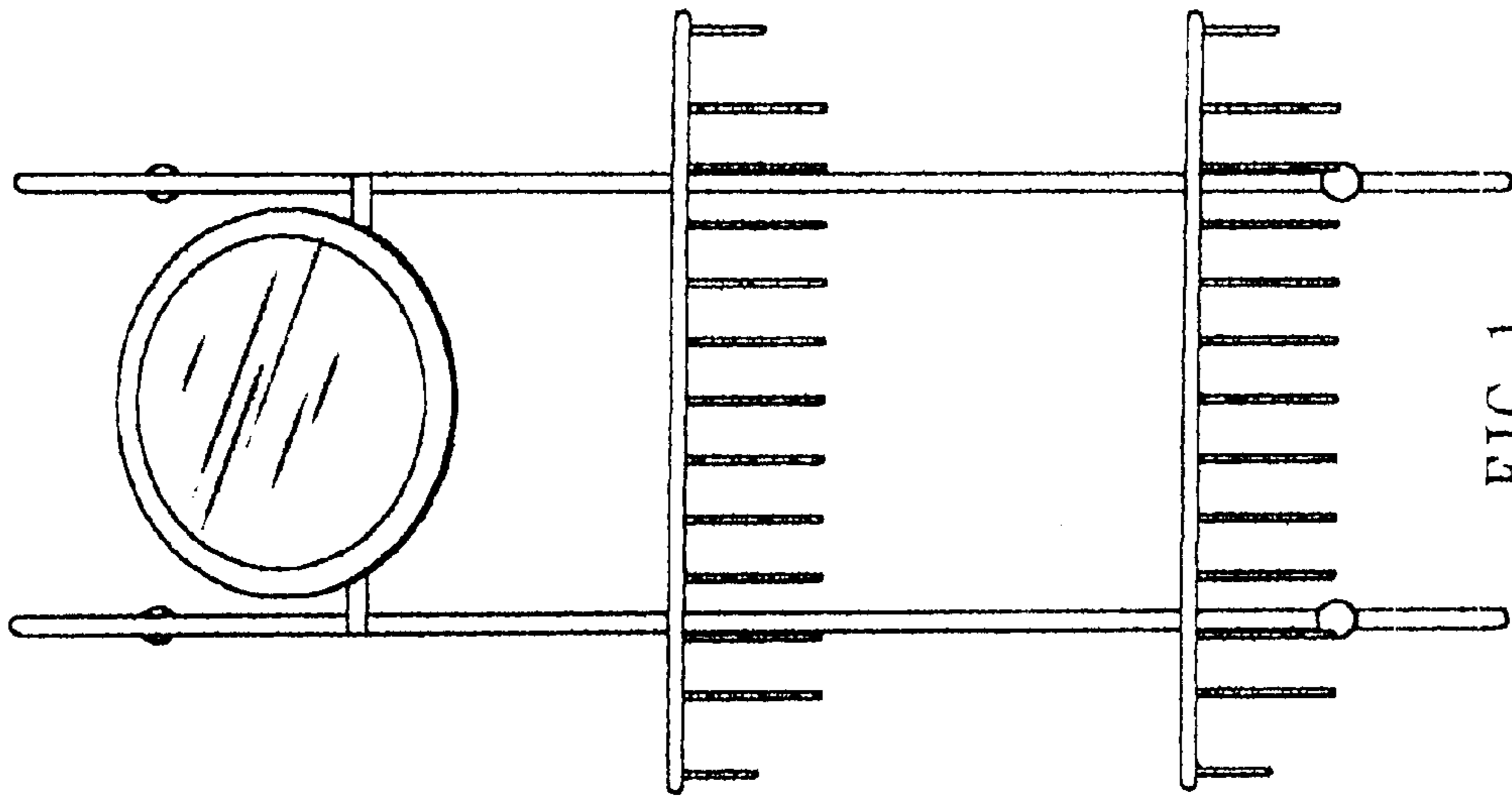


FIG. 1

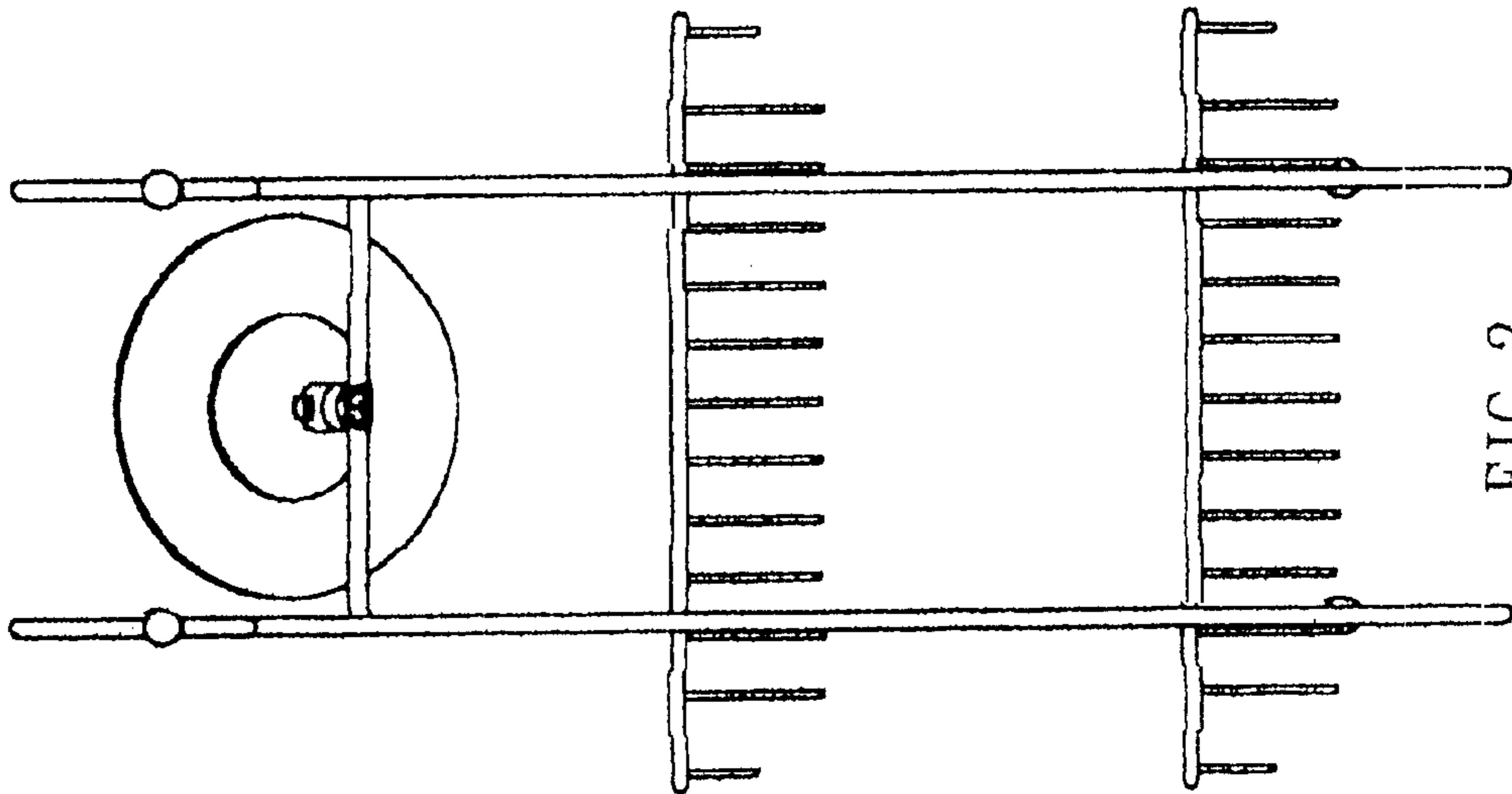


FIG. 2

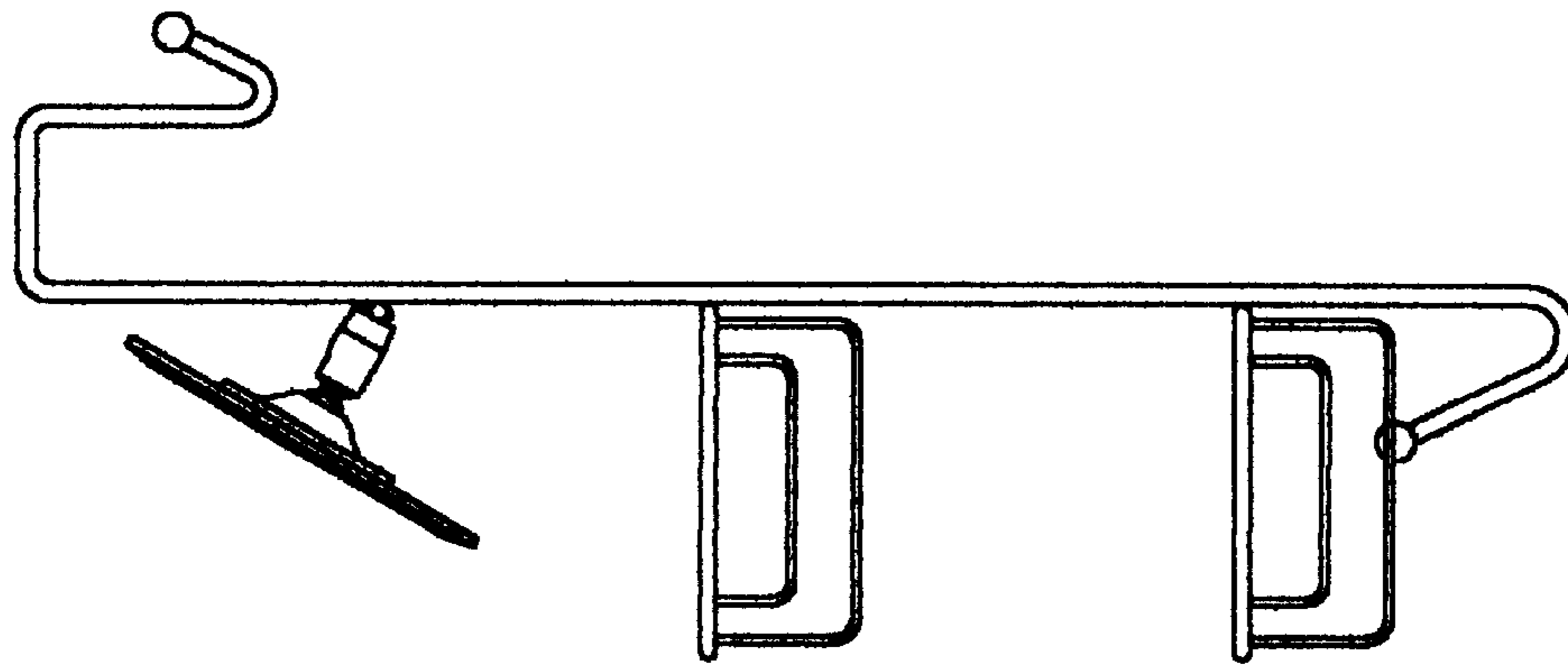


FIG. 4

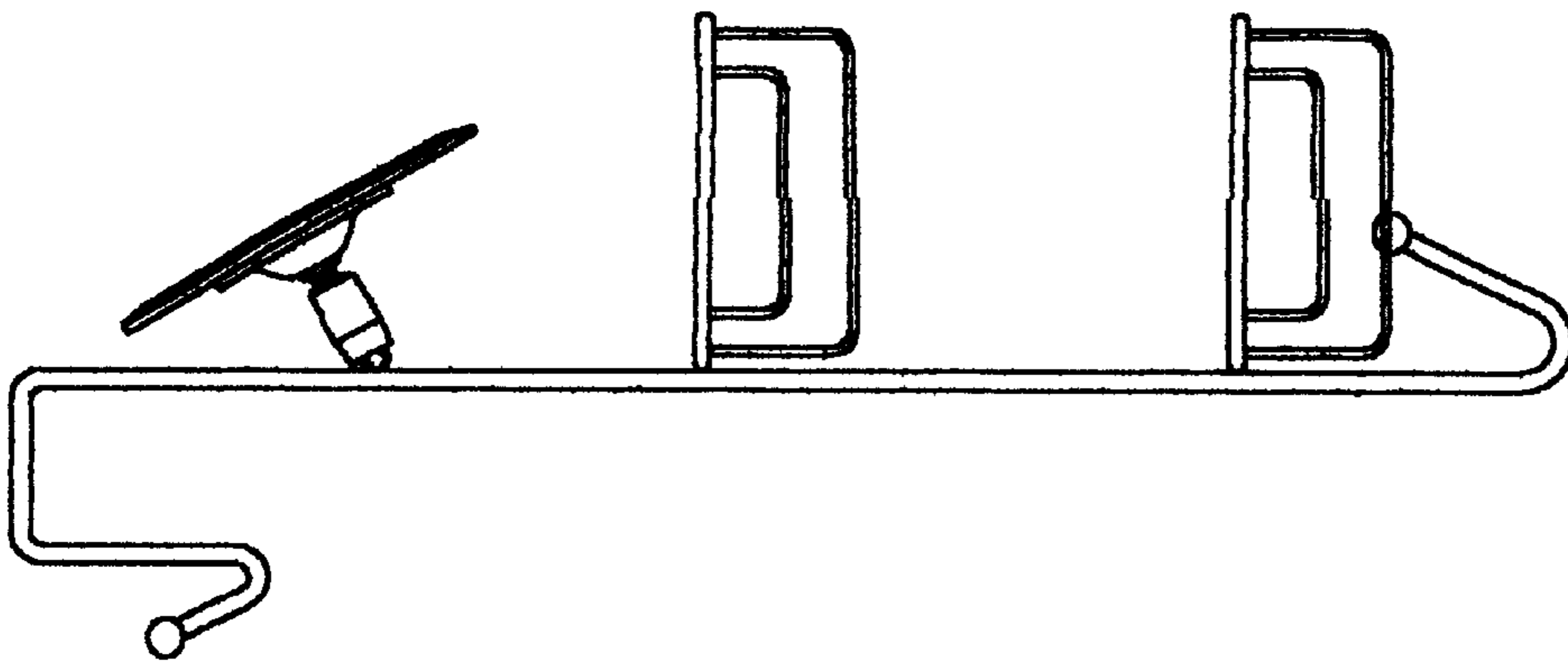


FIG. 3

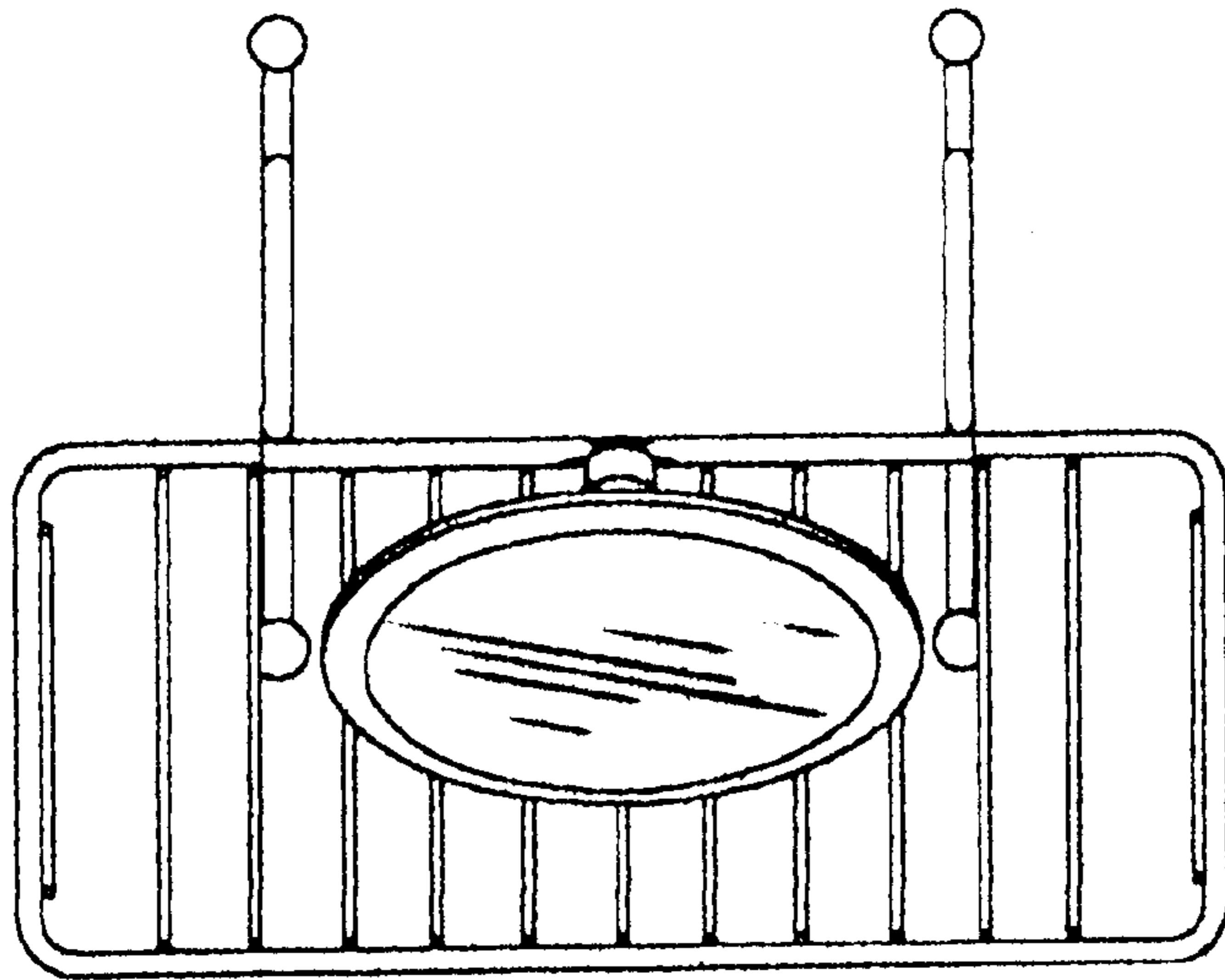


FIG. 5

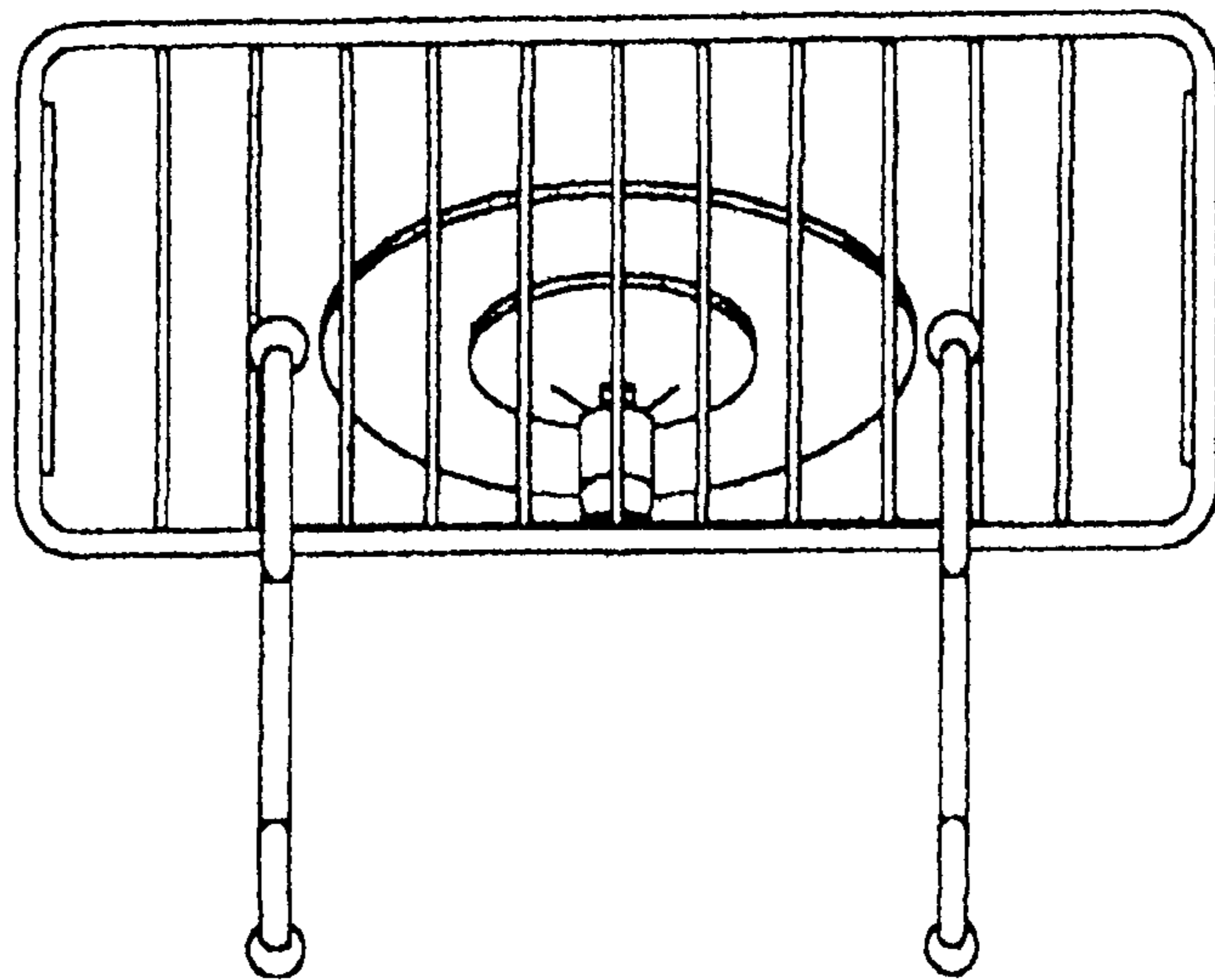


FIG. 6

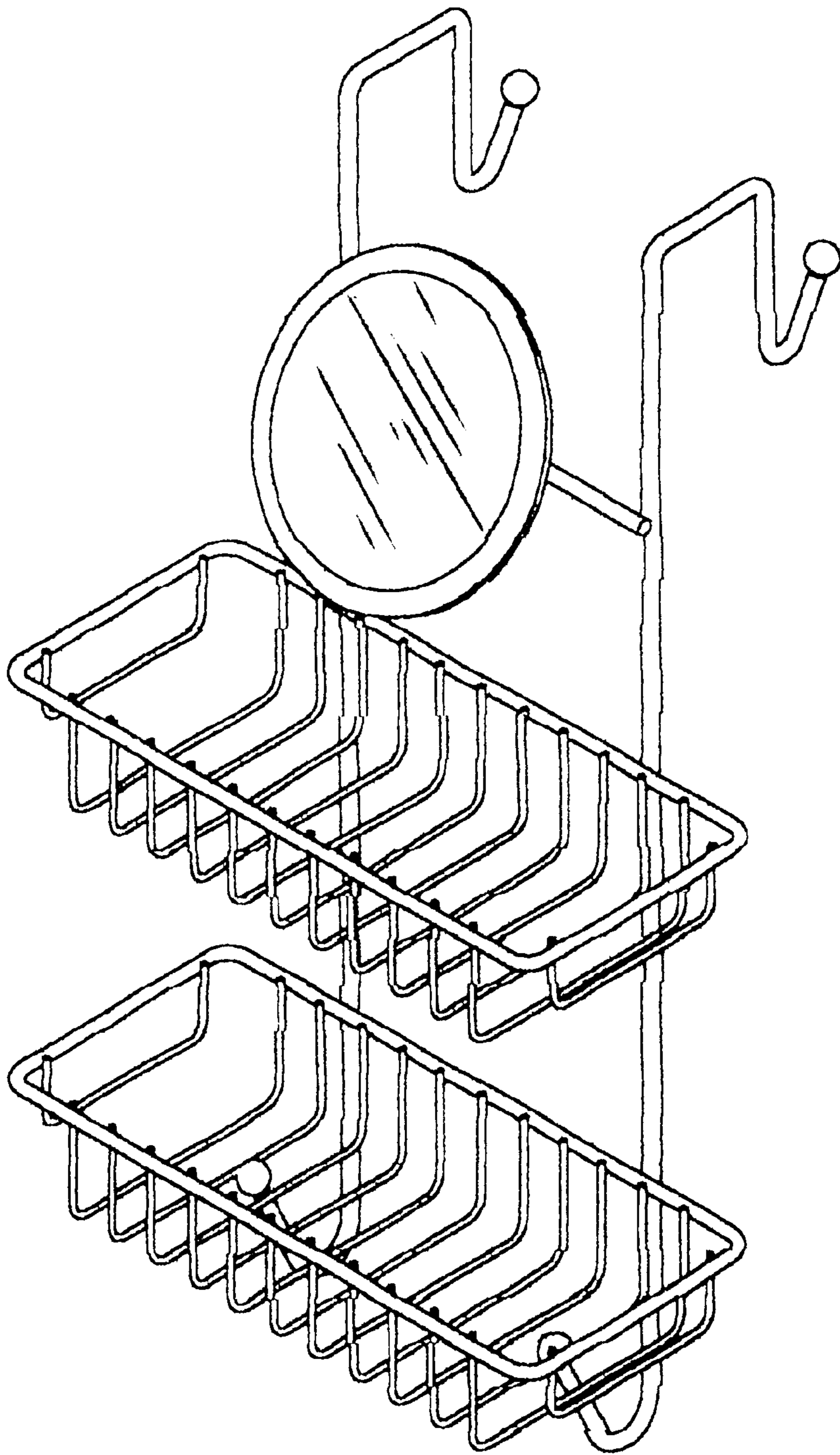


FIG. 7