



US00D471044S

(12) **United States Design Patent** (10) **Patent No.:** **US D471,044 S**
Shea (45) **Date of Patent:** **** Mar. 4, 2003**

(54) **MULTI-TIERED MERCHANDISE SUPPORT ASSEMBLY**

(76) Inventor: **Thomas M. Shea**, 1343 Rochester Rd. Suite 100, Troy, MI (US) 48083

(**) Term: **14 Years**

(21) Appl. No.: **29/146,907**

(22) Filed: **Aug. 17, 2001**

(51) **LOC (7) Cl.** **06-04**

(52) **U.S. Cl.** **D6/514**

(58) **Field of Search** D6/512-514, 515-518, D6/567, 569, 571; D19/75, 86, 92; 24/13.1, 85.4, 10, 11, 44, 71.01, 86.01, 113; 221/282, 283

(56) **References Cited**

U.S. PATENT DOCUMENTS

D30,064 S	*	1/1899	Andreen	D6/514
4,562,941 A		1/1986	Sanfilippo		
4,732,282 A		3/1988	Lockwood		
4,794,764 A		1/1989	Dyment et al.		
4,846,775 A		7/1989	Herrin		
4,858,756 A		8/1989	Herrin et al.		
5,037,005 A		8/1991	Appleby et al.		
5,069,334 A		12/1991	Herrin et al.		
5,117,972 A		6/1992	Herrin et al.		
5,139,173 A		8/1992	Evinger		
5,191,997 A		3/1993	Squitieri		
5,385,272 A		1/1995	Aoun		
5,458,233 A		10/1995	Herrin		
5,458,260 A		10/1995	Sainato et al.		
5,499,484 A		3/1996	Herrin		
5,553,723 A		9/1996	Stein		
D378,037 S	*	2/1997	Dunlap	D6/514 X
5,599,267 A		2/1997	Dupuy		
D382,747 S	*	8/1997	Dickinson et al.	D6/514
5,673,823 A		10/1997	Hanks et al.		
5,678,492 A		10/1997	Pinkstone et al.		
5,746,328 A		5/1998	Beeler et al.		
5,806,689 A		9/1998	Mays et al.		
D400,761 S		11/1998	Rushing		
D401,476 S		11/1998	Henry et al.		
D402,160 S		12/1998	Rushing		

D404,600 S		1/1999	Henry et al.		
6,004,251 A		12/1999	Herrin		
D418,331 S		1/2000	Christescu		
D421,550 S		3/2000	Henry et al.		
D429,091 S	*	8/2000	Chen	D6/514 X
D435,378 S	*	12/2000	Felsenthal	D6/514

* cited by examiner

Primary Examiner—Brian N. Vinson
(74) *Attorney, Agent, or Firm*—Gifford, Krass, Groh, Sprinkle, Anderson & Citkowski, P.C.

(57) **CLAIM**

I claim the ornamental design for a multi-tiered merchandise support assembly, as shown and described.

DESCRIPTION

FIG. 1 is a top, front, and left side perspective view of a multi-tiered merchandise support assembly showing a first embodiment of my new design;

FIG. 2 is a right side elevational view thereof, the left side being a mirror image of the shown;

FIG. 3 is a front elevational view thereof, the rear being a mirror image of that shown;

FIG. 4 is a top plan view thereof;

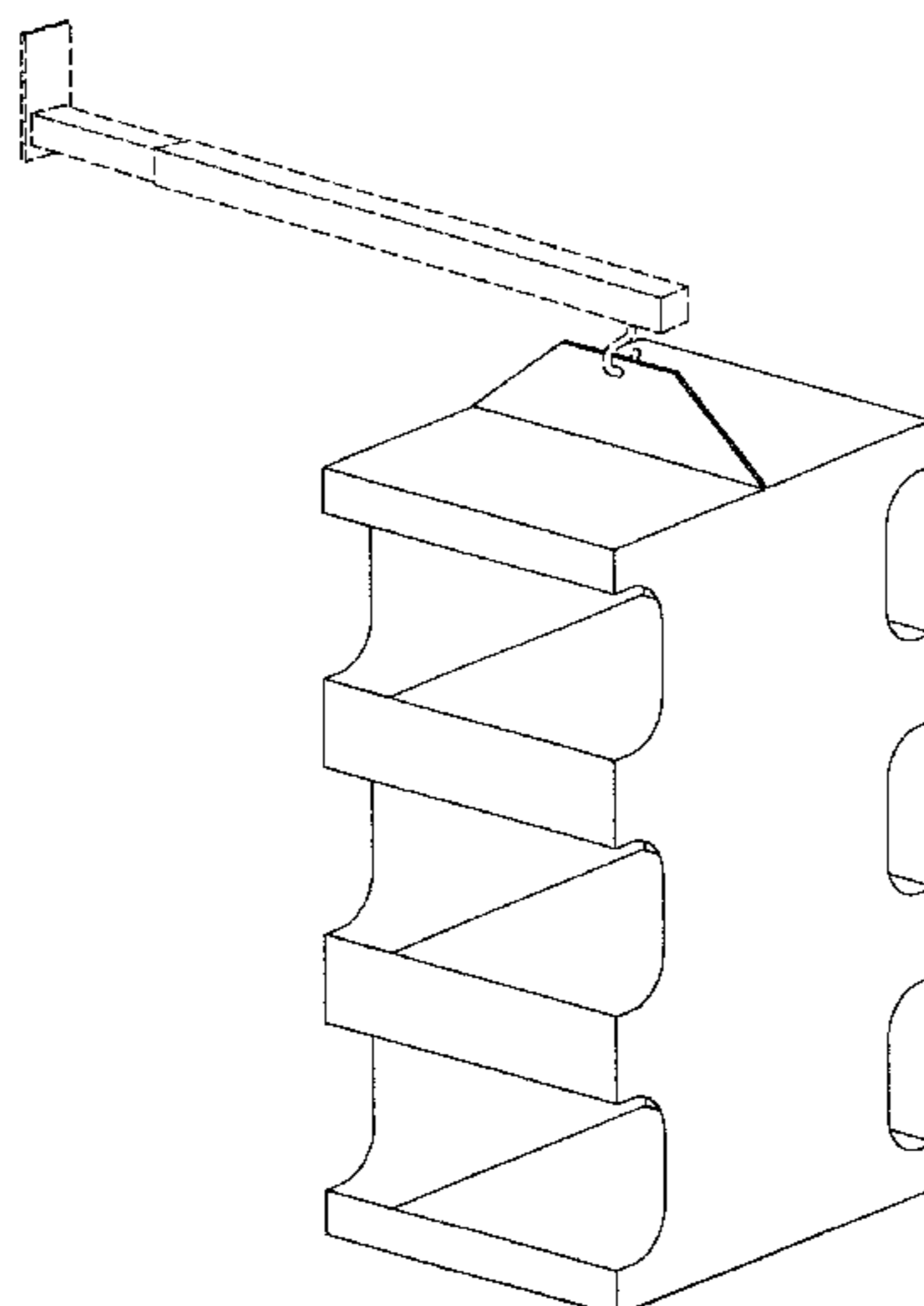
FIG. 5 is a bottom plan view thereof;

FIG. 6 is a top, front, and left side perspective view of a multi-tiered merchandise support assembly showing a second embodiment of my new design, the only difference from the other embodiments claimed residing in the number of tiers;

FIG. 7 is a top, front, and left side perspective view of a multi-tiered merchandise support assembly showing a third embodiment of my new design, the only difference from the other embodiments claimed residing in the number of tiers; and,

FIG. 8 is a top, front, and left side perspective view of a multi-tiered merchandise support assembly showing a fourth embodiment of my new design, the only difference from the other embodiments claimed residing in the number of tiers. The broken-line disclosure of a support arm in the views is for illustrative purposes only and forms no part of the claimed design.

1 Claim, 5 Drawing Sheets



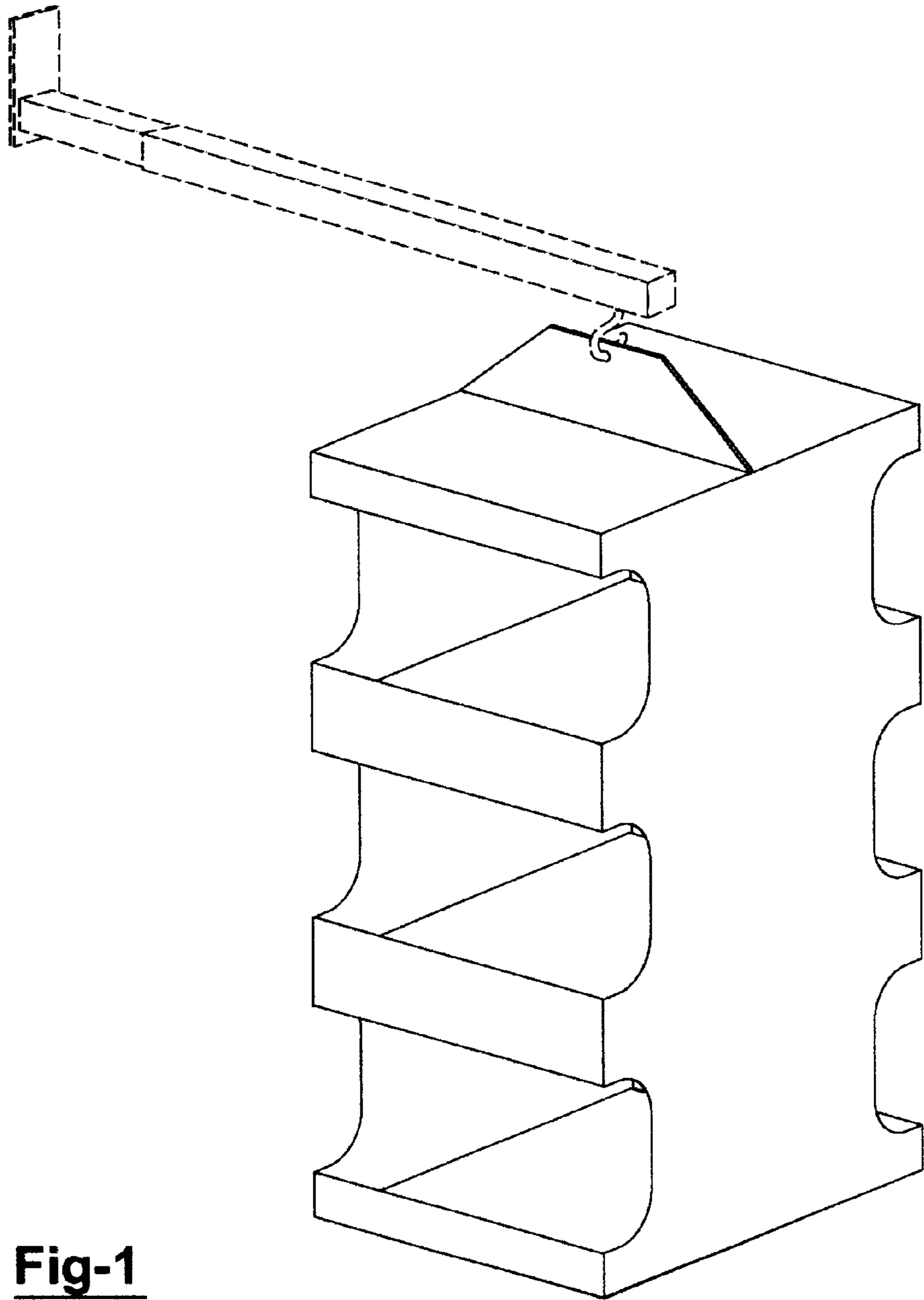


Fig-1

Fig-4

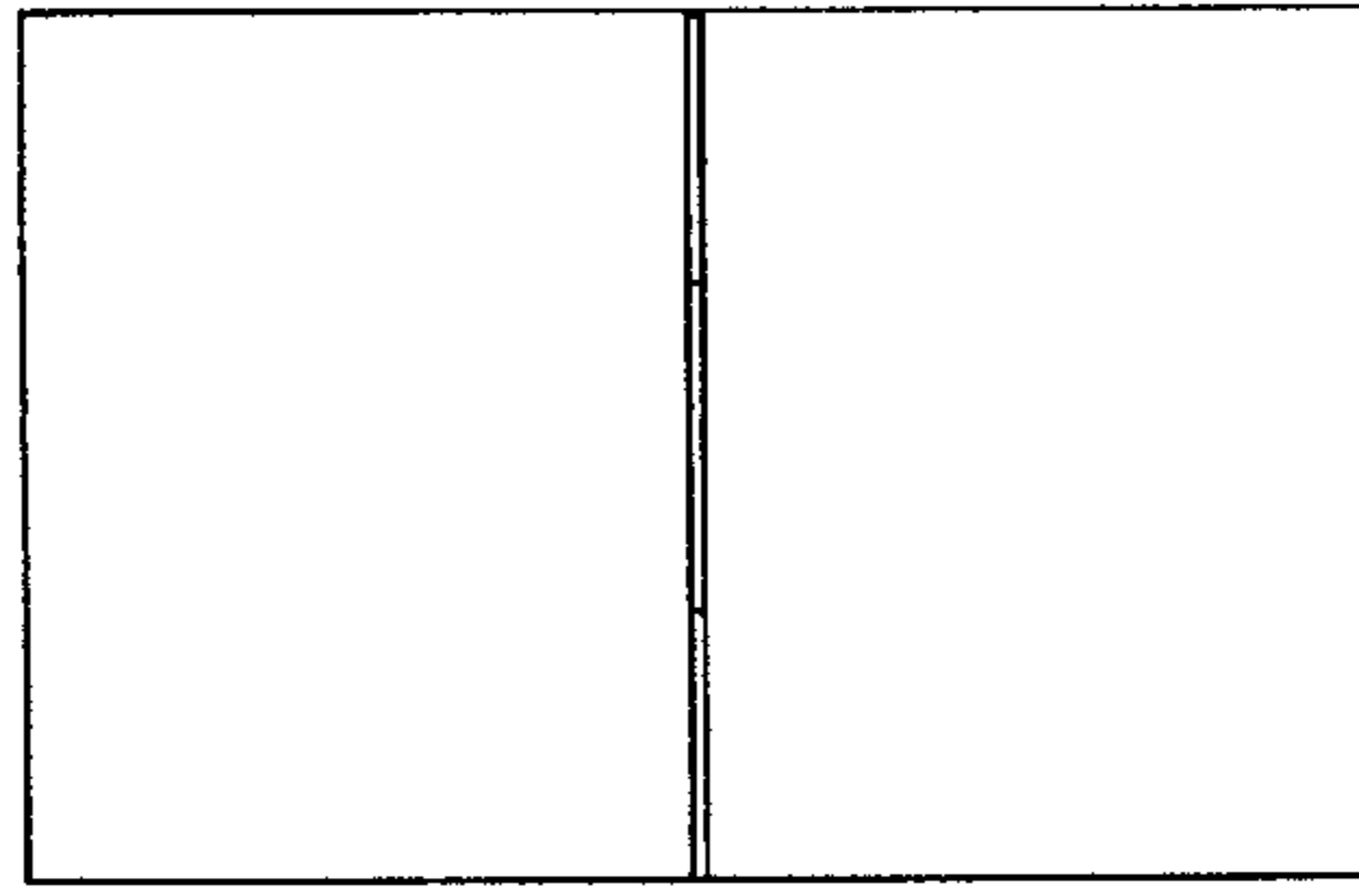


Fig-3

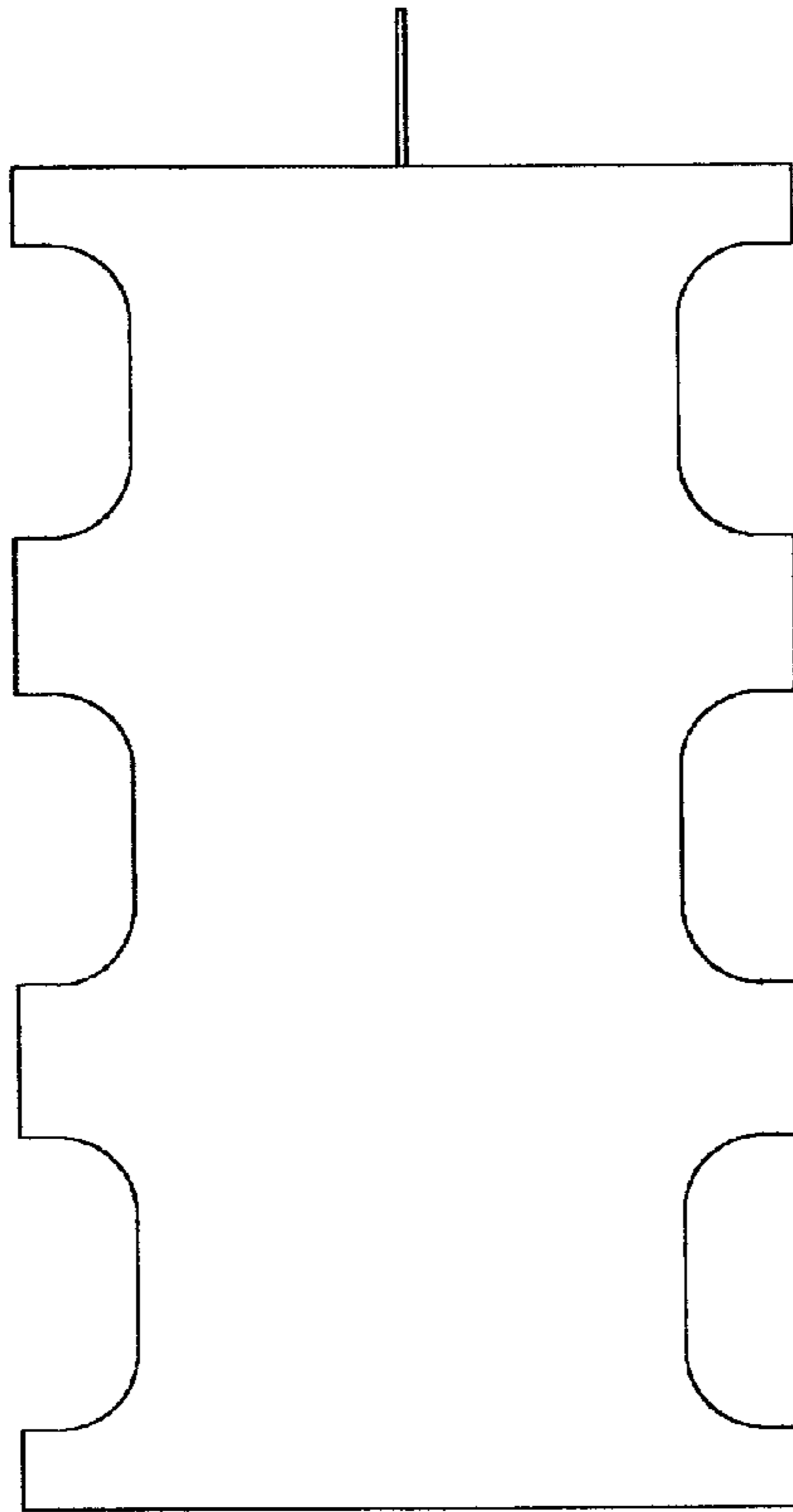


Fig-2

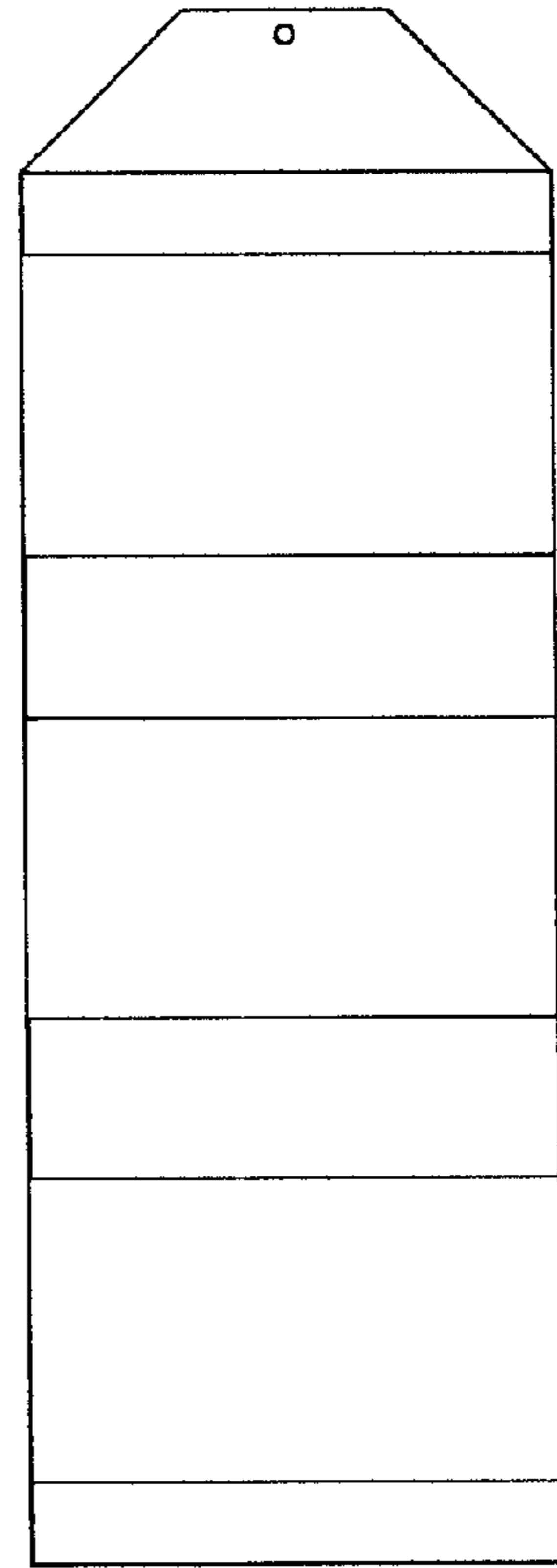
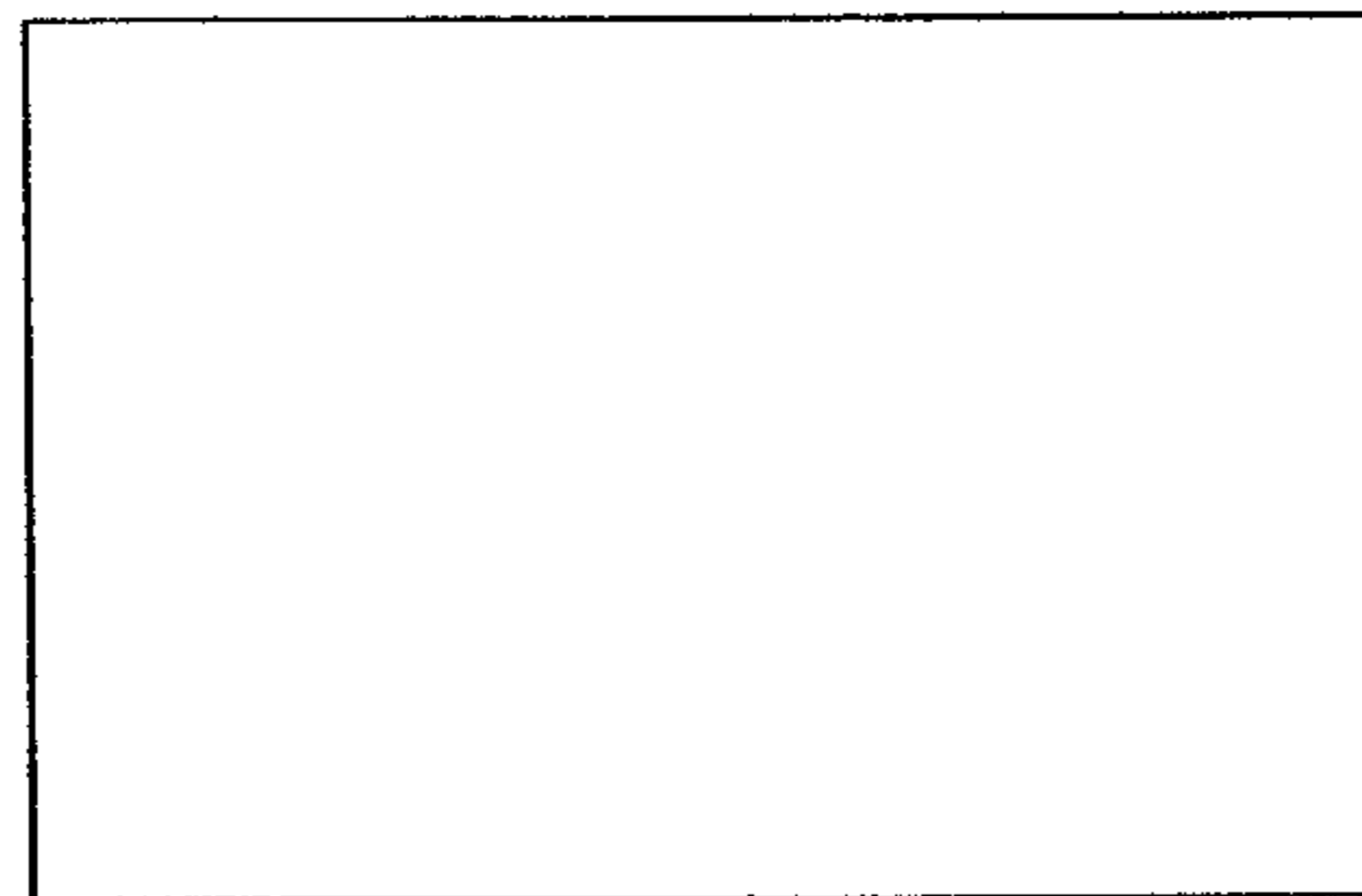


Fig-5



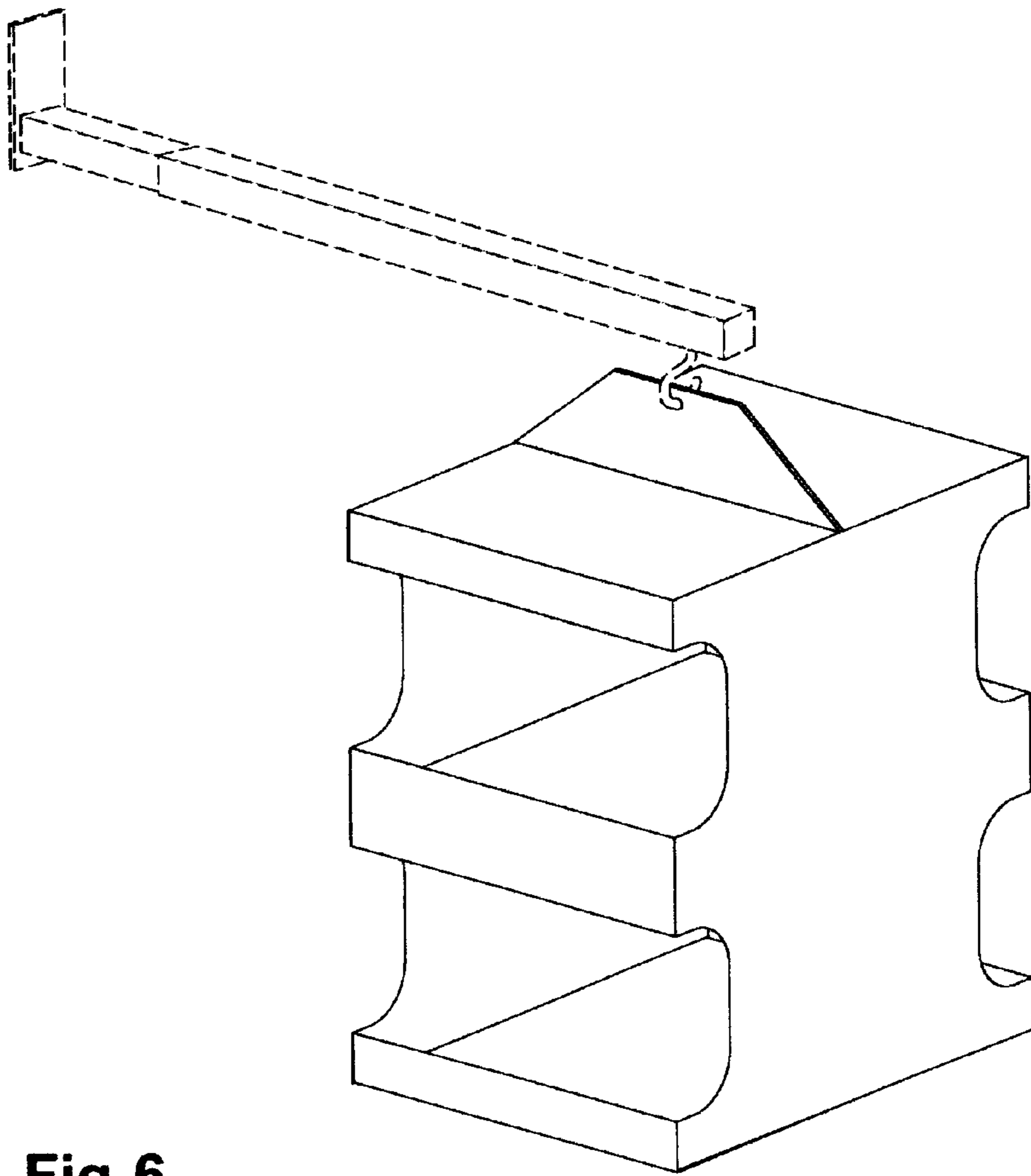


Fig-6

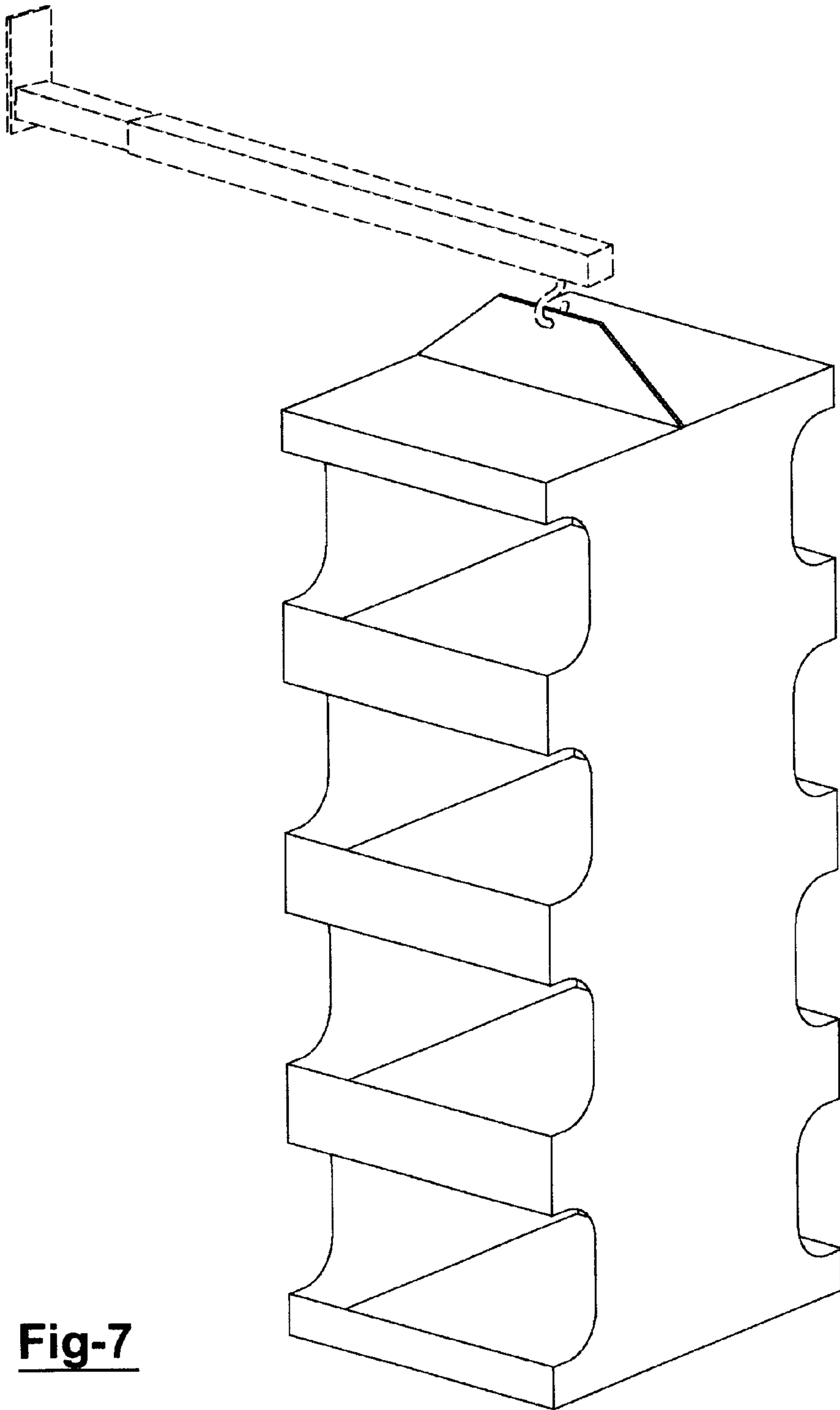


Fig-7

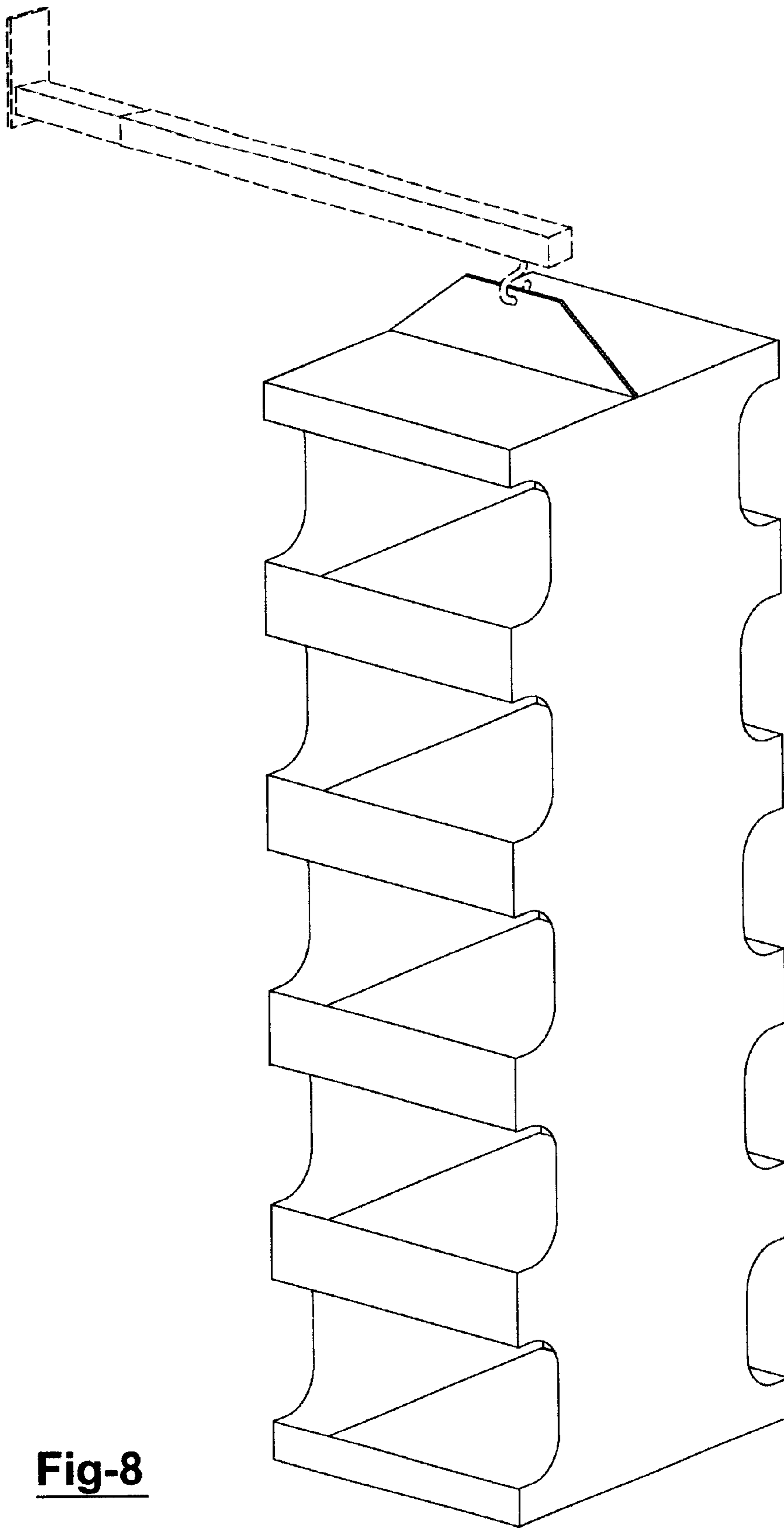


Fig-8