



US00D471041S

(12) **United States Design Patent**  
**Passwater**

(10) **Patent No.:** **US D471,041 S**

(45) **Date of Patent:** **\*\* Mar. 4, 2003**

- (54) **REMOVABLE HEADREST FOR CONVERTIBLE AUTOMOBILES**
- (75) Inventor: **Richard Passwater**, Indianapolis, IN (US)
- (73) Assignee: **Auto Specialists, Inc.**, Indianapolis, IN (US)
- (\*\*) Term: **14 Years**
- (21) Appl. No.: **29/153,318**
- (22) Filed: **Oct. 19, 2001**
- (51) **LOC (7) Cl.** ..... **06-06**
- (52) **U.S. Cl.** ..... **D6/501; D6/356**
- (58) **Field of Search** ..... D6/334, 335, 336, D6/356, 500, 501, 502; 297/220, 391, 394, 397

(56) **References Cited**  
**U.S. PATENT DOCUMENTS**

|             |   |         |             |       |         |
|-------------|---|---------|-------------|-------|---------|
| D91,262 S   | * | 1/1934  | Barcalo     | ..... | D6/601  |
| D188,416 S  | * | 7/1960  | Ramm        | ..... | D6/502  |
| 3,046,057 A | * | 7/1962  | Smetko      | ..... | 297/397 |
| 3,563,603 A | * | 2/1971  | Aprile      | ..... | 297/397 |
| D317,840 S  | * | 7/1991  | Jagdat      | ..... | D6/601  |
| 5,261,726 A | * | 11/1993 | Yanagishita | ..... | 297/391 |
| D399,086 S  | * | 10/1998 | Costantino  | ..... | D6/601  |
| D442,005 S  | * | 5/2001  | Boese       | ..... | D6/601  |

\* cited by examiner

*Primary Examiner*—Doris V. Coles  
*Assistant Examiner*—Mimosa De  
(74) *Attorney, Agent, or Firm*—Woodard, Emhardt, Naughton, Moriarty & McNett LLP

(57) **CLAIM**

The ornamental design for a removable headrest for convertible automobiles, as shown and described.

**DESCRIPTION**

FIG. 1 is a perspective of the left front of a removable headrest for convertible automobiles showing my new design as viewed from a level slightly above the level of the headrest.

FIG. 2 is a perspective of the left rear of the headrest viewed from a level slightly above the level of the headrest.

FIG. 3 is a front elevation view thereof.

FIG. 4 is a rear elevation view thereof.

FIG. 5 is a left side elevation view thereof.

The appearance of the right side elevation is a mirror image of the appearance of the left side FIG. 5 view.

FIG. 6 is a top view thereof.

FIG. 7 is a bottom view thereof.

FIG. 8 is a perspective of a portion of the bottom, shown on an enlarged scale and viewed toward the rear of the headrest; and,

FIG. 9 is a cross section taken at line 9—9 in FIG. 7.

**1 Claim, 9 Drawing Sheets**

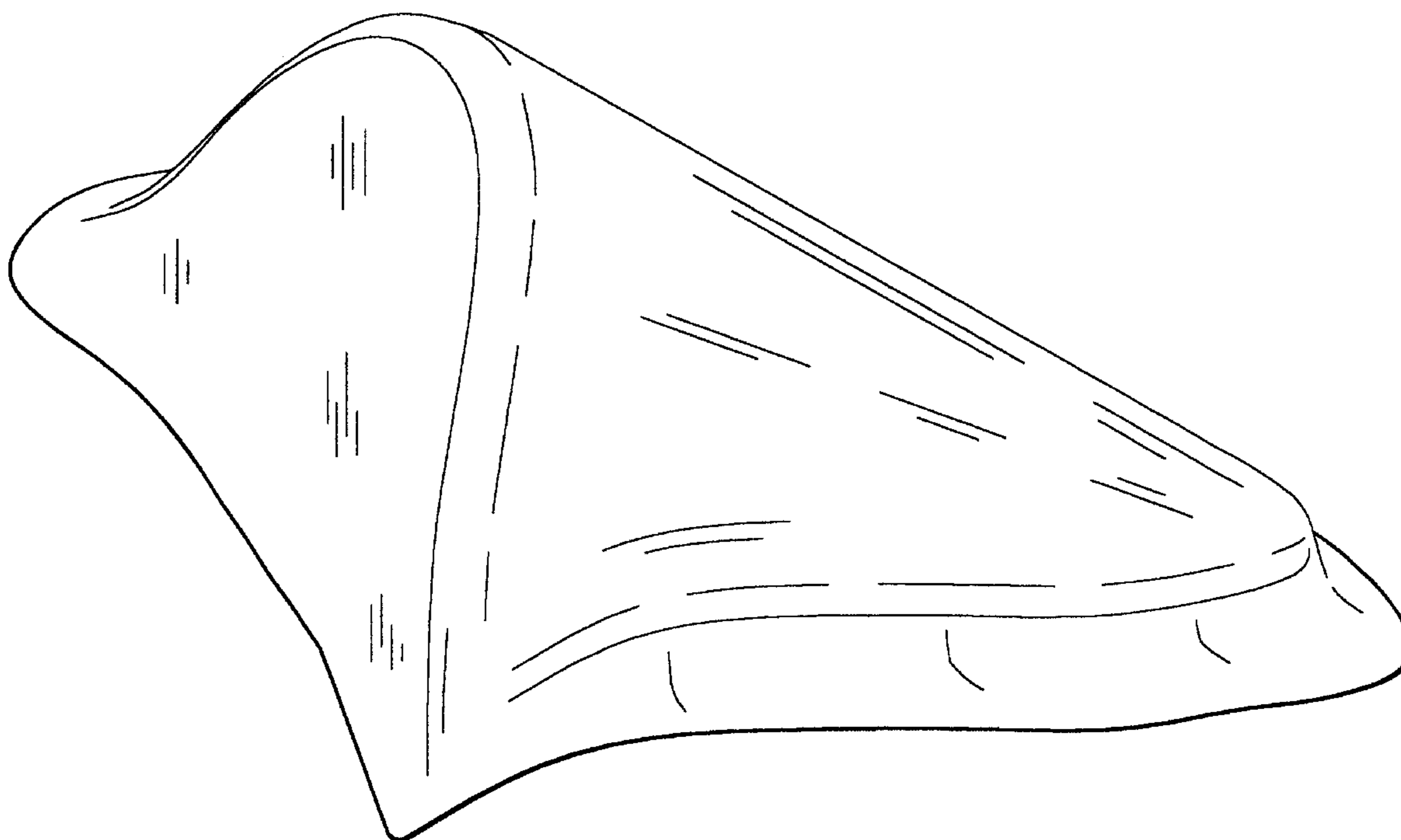




Fig. 1



Fig. 2

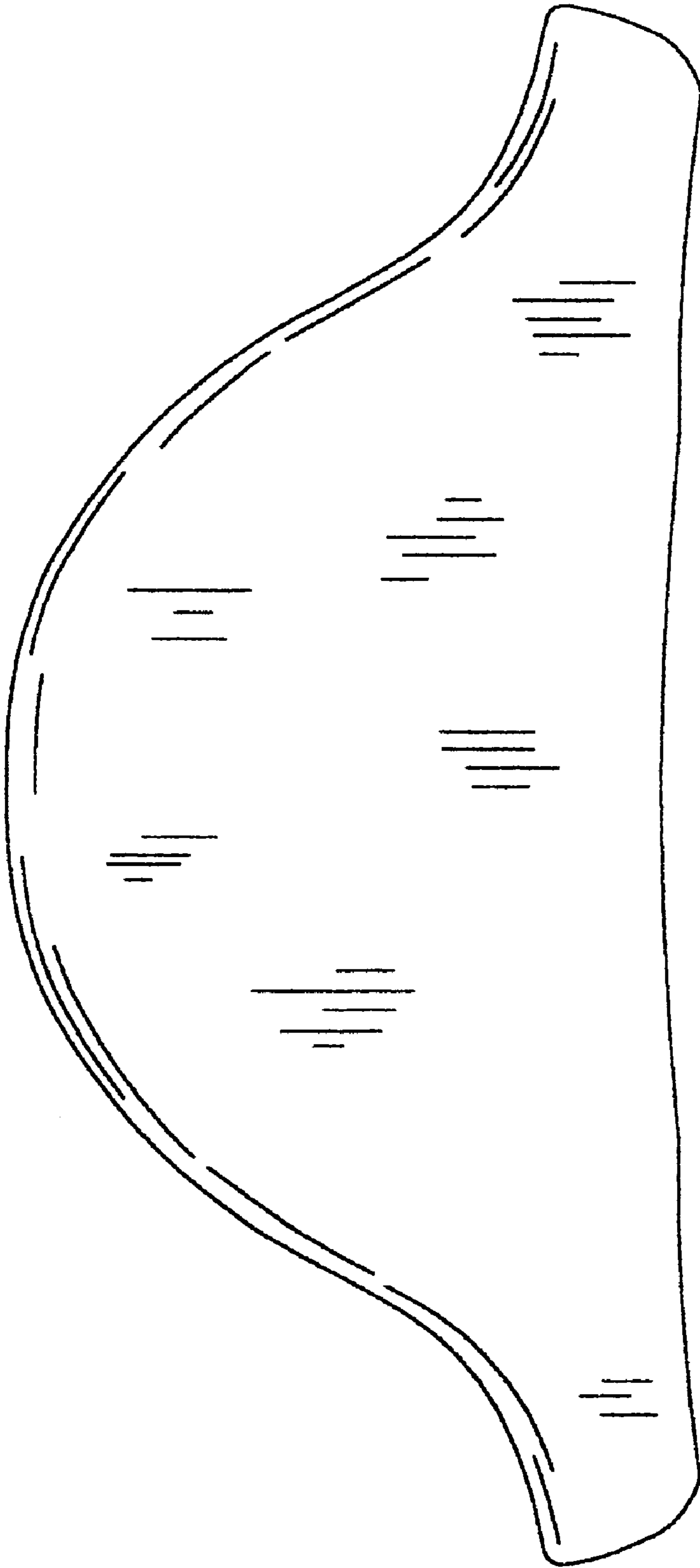


Fig. 3

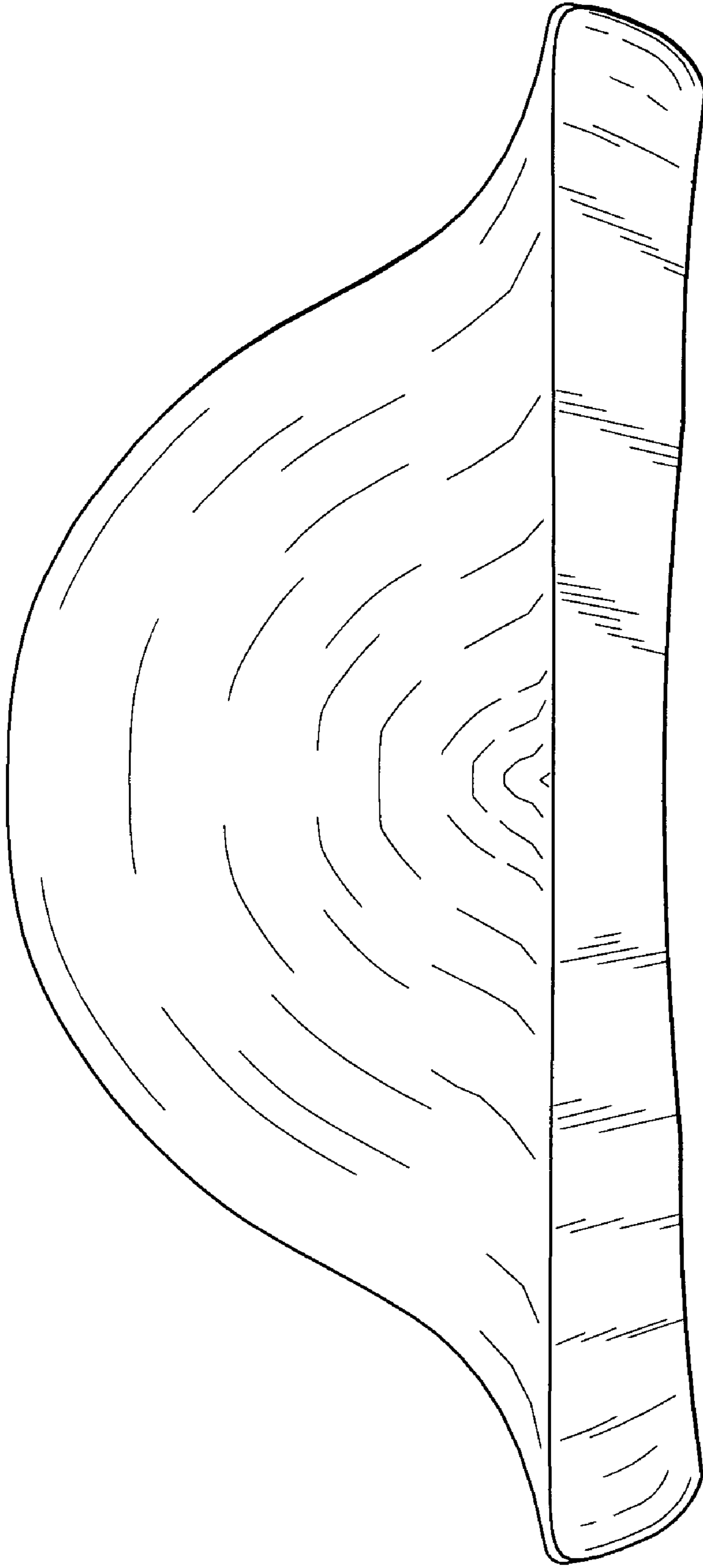


Fig. 4

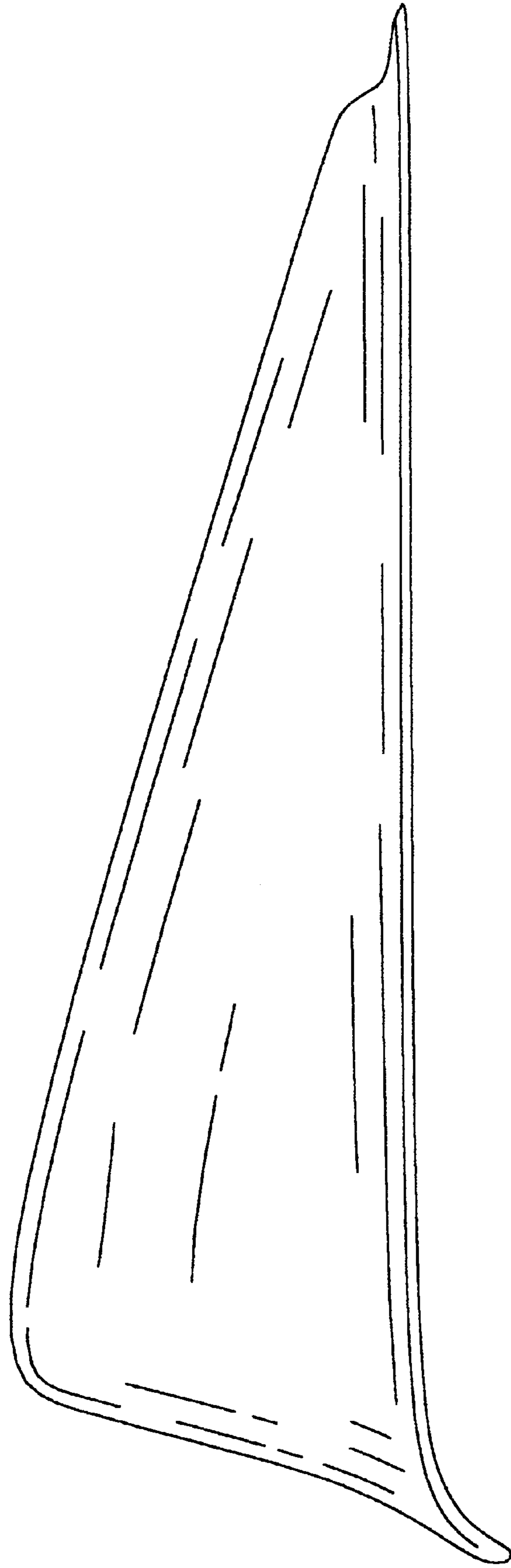


Fig. 5

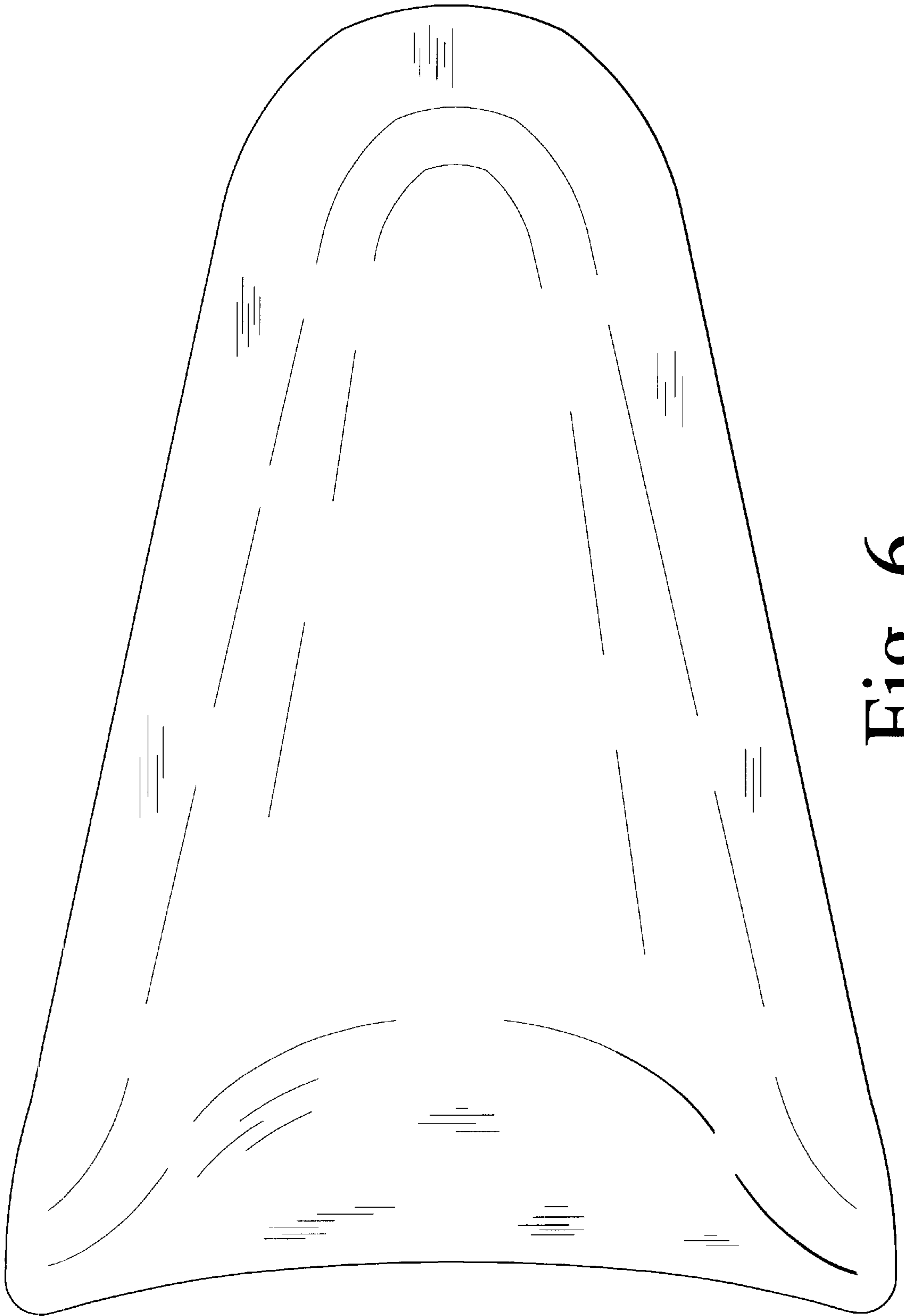


Fig. 6

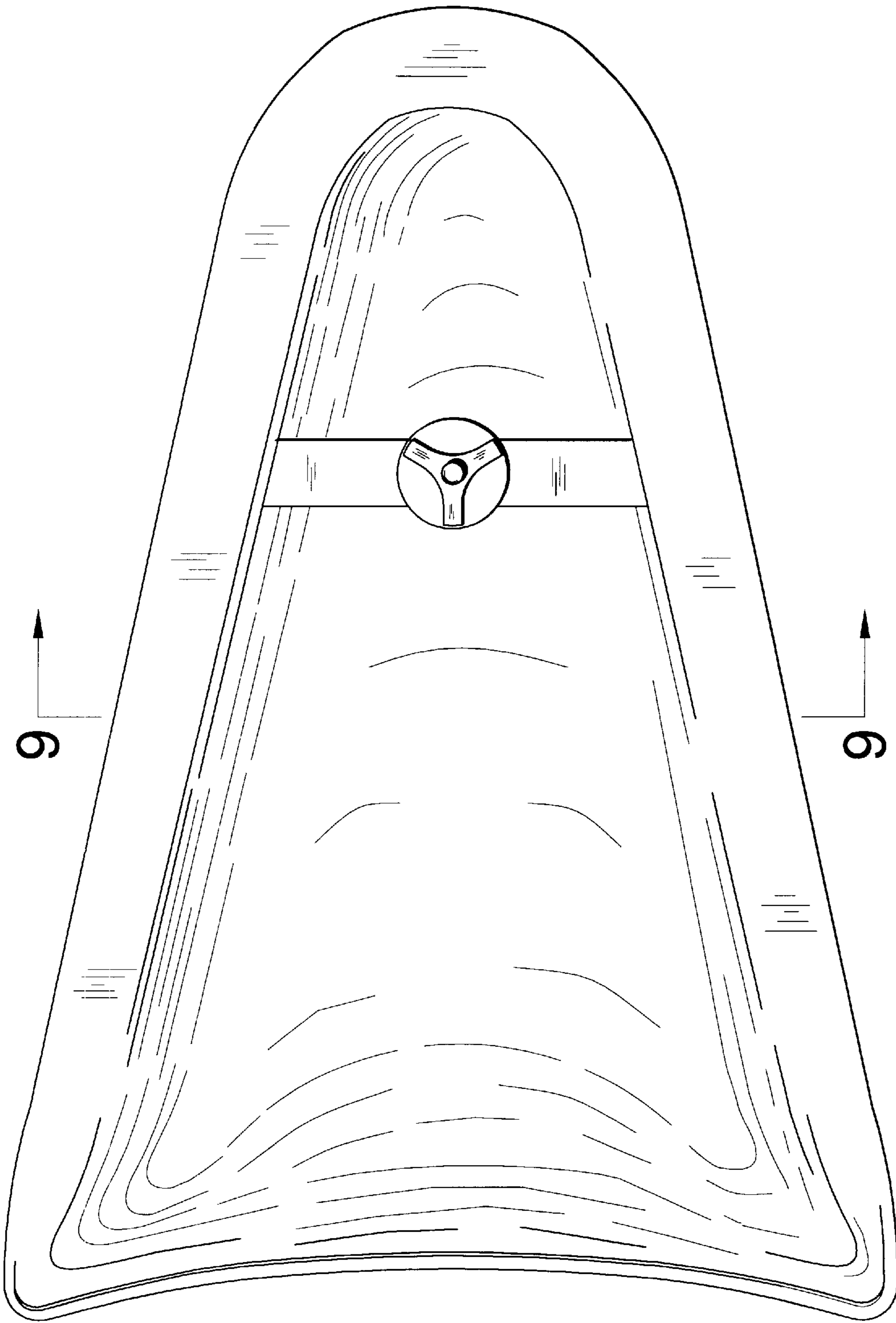


Fig. 7



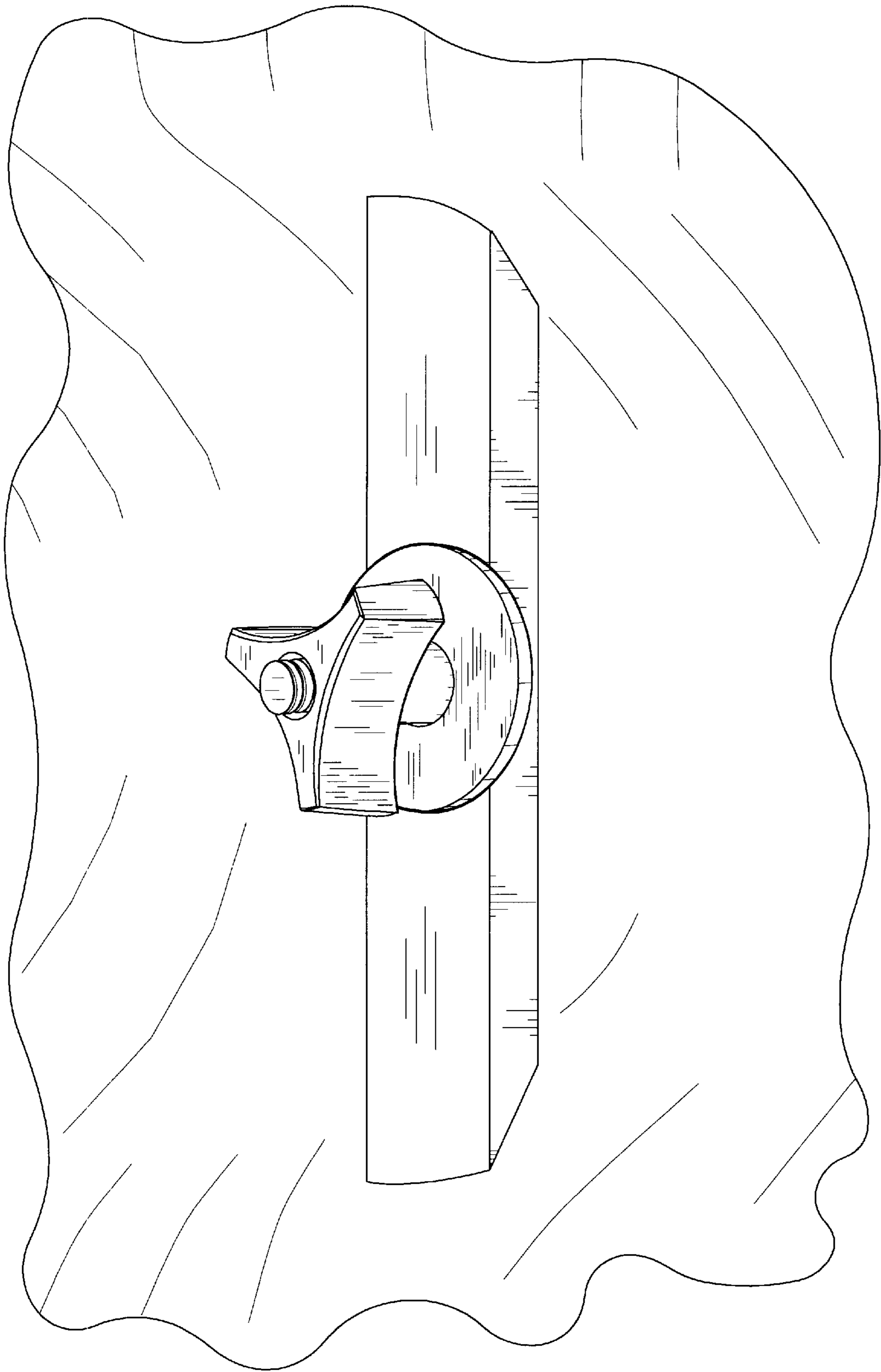


Fig. 8

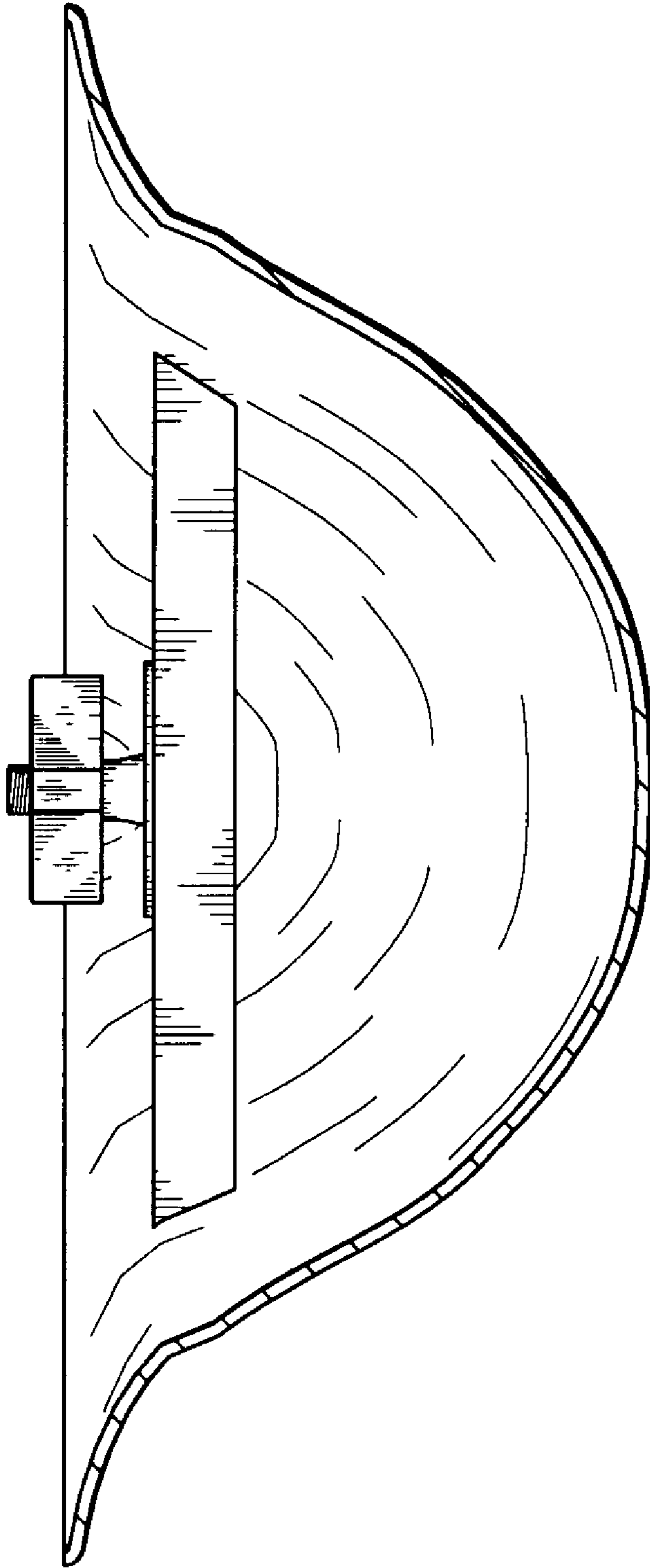


Fig. 9