



US00D471035S

(12) **United States Design Patent**
Schwanke et al.

(10) **Patent No.:** **US D471,035 S**

(45) **Date of Patent:** **** Mar. 4, 2003**

(54) **TABLE HAVING AN ELECTRICALLY ELEVATABLE LIFT HAVING A LAZY-SUSAN PLATFORM FOR SUPPORTING A MICROWAVE OVEN**

5,938,968 A 8/1999 Ogg et al.
6,463,862 B1 * 10/2002 Kuhlman et al. 108/50.01

OTHER PUBLICATIONS

Intrex, Aug. 1, 1977, p. 17, table.*

* cited by examiner

Primary Examiner—Janice E. Seeger

(74) *Attorney, Agent, or Firm*—Donald R. Schoonover

(76) **Inventors:** **V. Annette Schwanke**, 1019 Firethorn Dr., West Bend, WI (US) 53090; **Scott A. Schwanke**, 1019 Firethorn Dr., West Bend, WI (US) 53090

(**) **Term:** **14 Years**

(57) **CLAIM**

(21) **Appl. No.:** **29/159,233**

The ornamental design for a table having an electrically elevatable lift having a lazy-susan platform for supporting a microwave oven, as shown and described.

(22) **Filed:** **Apr. 18, 2002**

DESCRIPTION

(51) **LOC (7) Cl.** **06-03**

(52) **U.S. Cl.** **D6/486**

(58) **Field of Search** D6/480-489, 495, D6/511, 429; 108/150, 153.1, 155, 156, 157, 161, 20, 28, 34, 38, 50.11

FIG. 1 is a perspective view of table having an electrically elevatable lift having a lazy-susan platform for supporting a microwave oven, embodying the design of the present invention, showing the lift in an elevated position; the broken line showing of environmental window structure is for illustrative purposes only and forms no part of the claimed design.

(56) **References Cited**

U.S. PATENT DOCUMENTS

- 4,106,413 A 8/1978 Hoaglund
- D254,747 S * 4/1980 O'Meara D21/677
- 4,539,455 A 9/1985 Colato et al.
- 4,777,992 A 10/1988 Olger
- 4,856,579 A 8/1989 Wolfe
- 4,898,148 A 2/1990 Urso
- 5,778,800 A * 7/1998 Liang 108/50.11
- 5,937,764 A * 8/1999 Olivier 108/20

FIG. 2 is a front elevational view thereof;

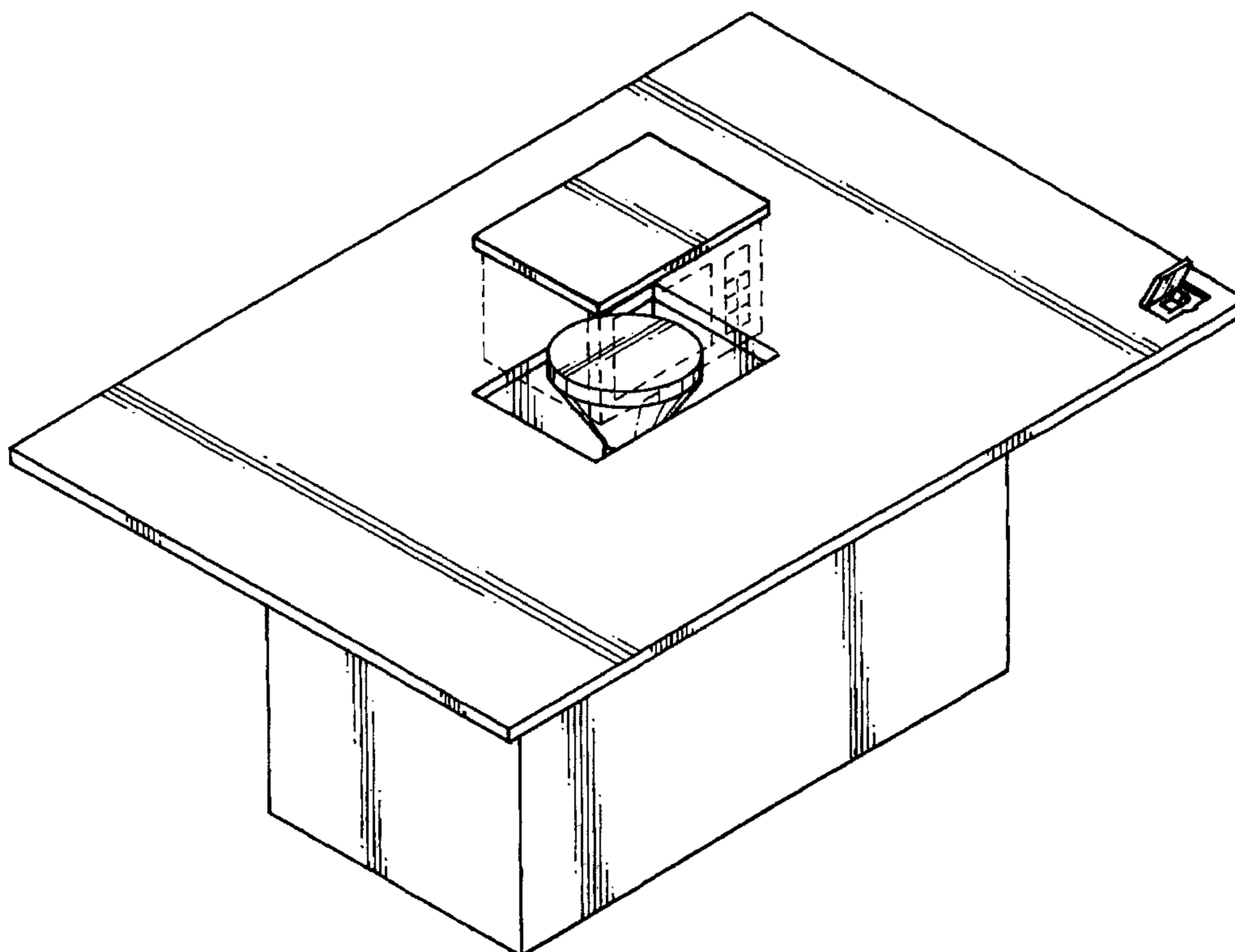
FIG. 3 is a rear elevational view thereof;

FIG. 4 is a left side elevational view thereof, the right side elevational view being a mirror image thereof;

FIG. 5 is a top plan view thereof; and,

FIG. 6 is a bottom plan view thereof.

1 Claim, 4 Drawing Sheets



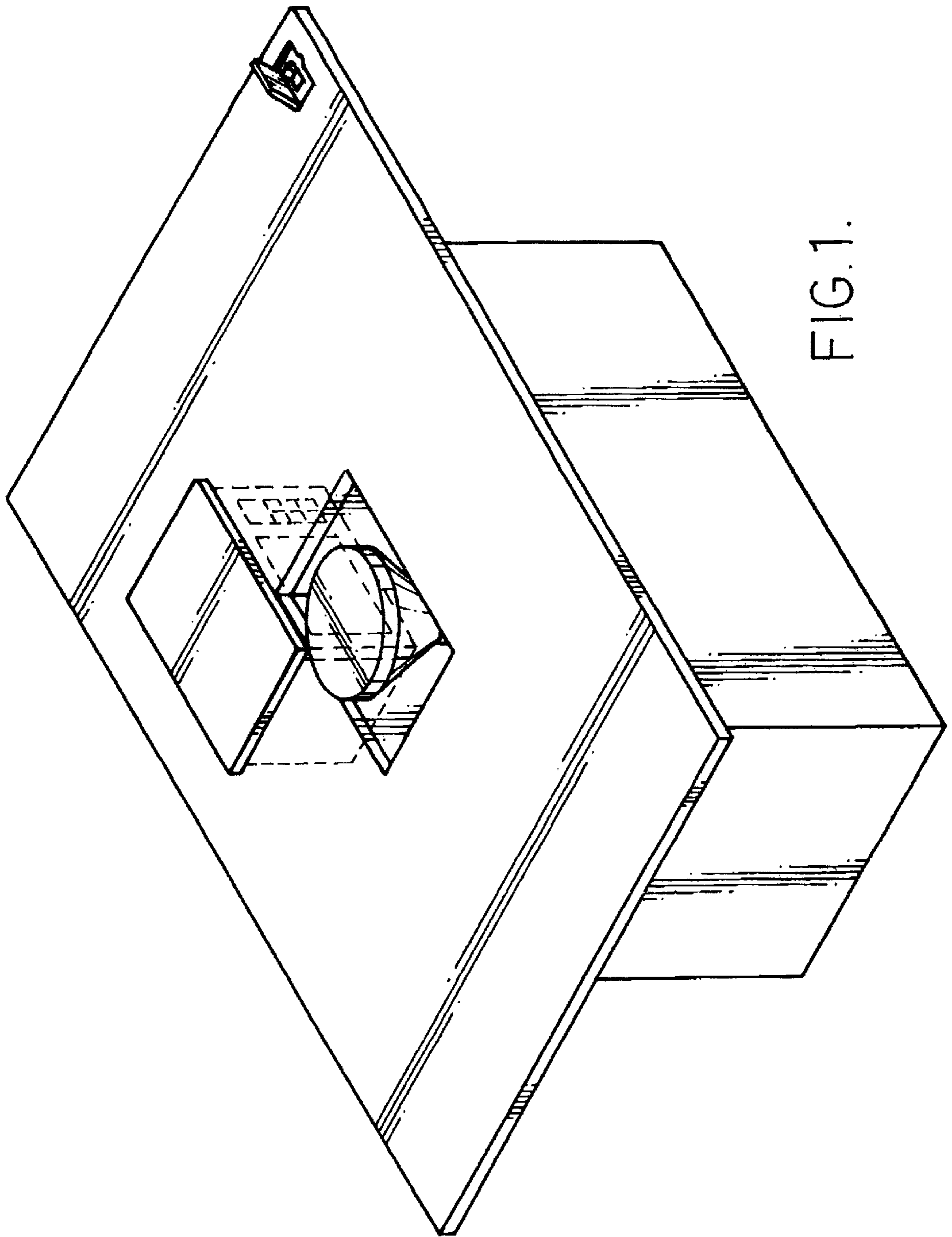


FIG.1.

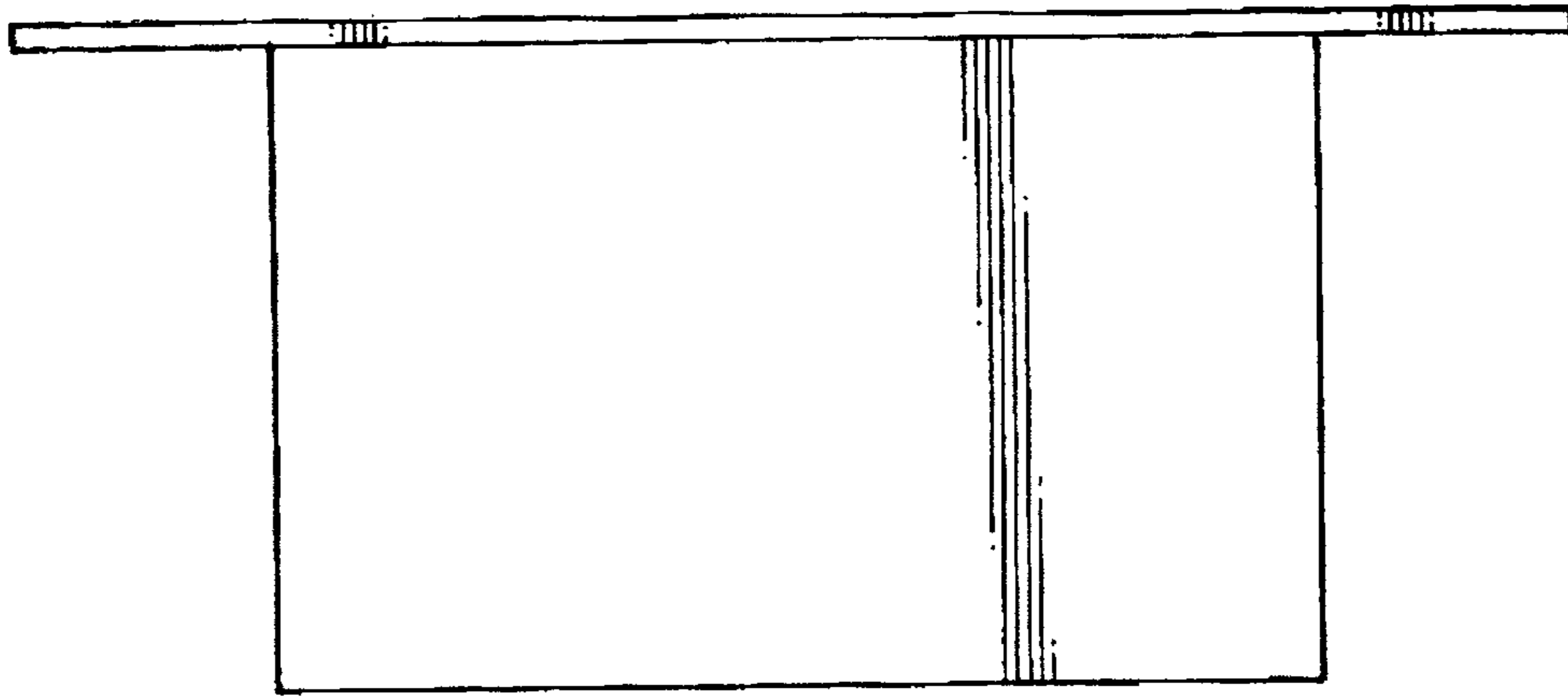


FIG. 2.

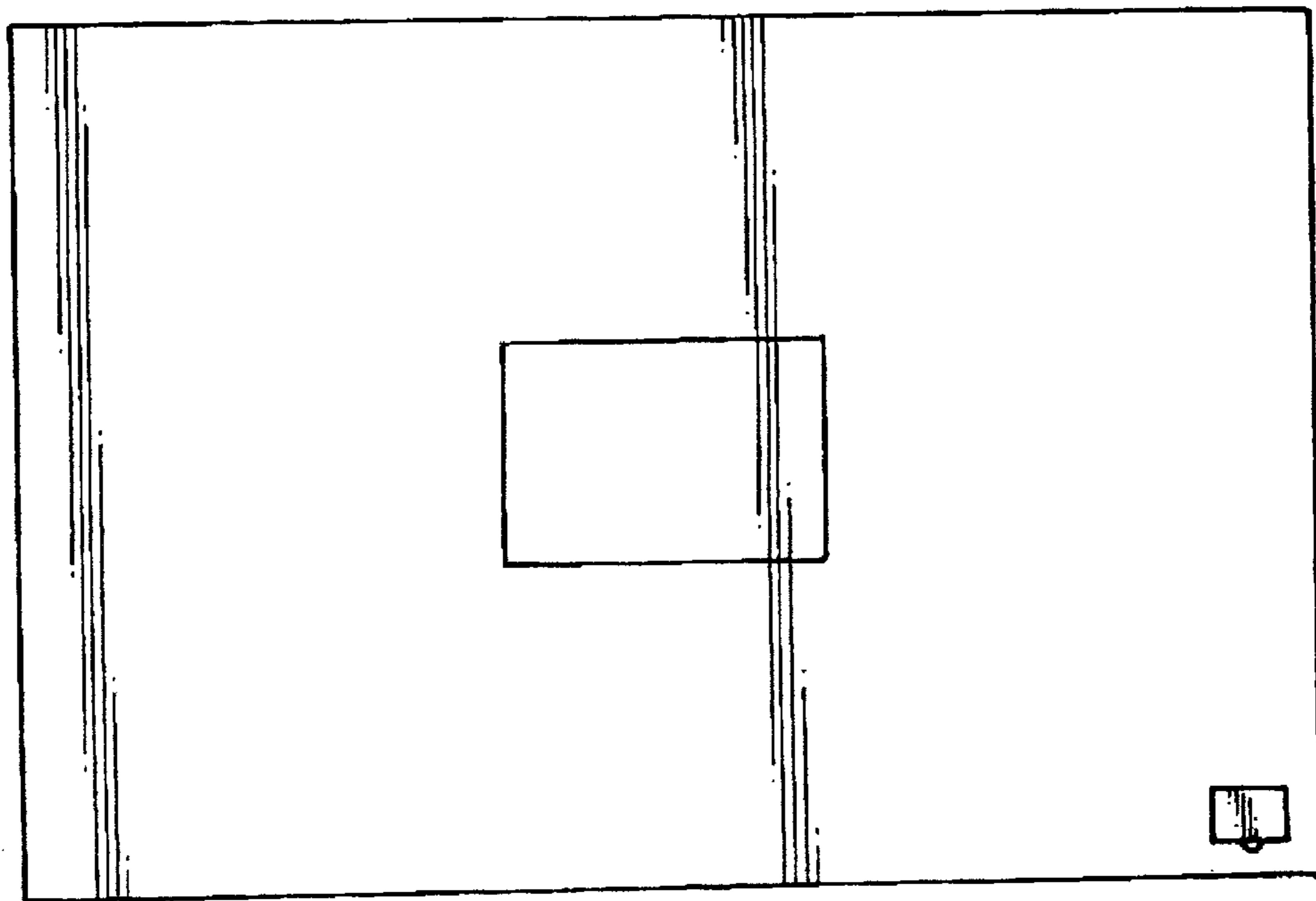


FIG. 5.

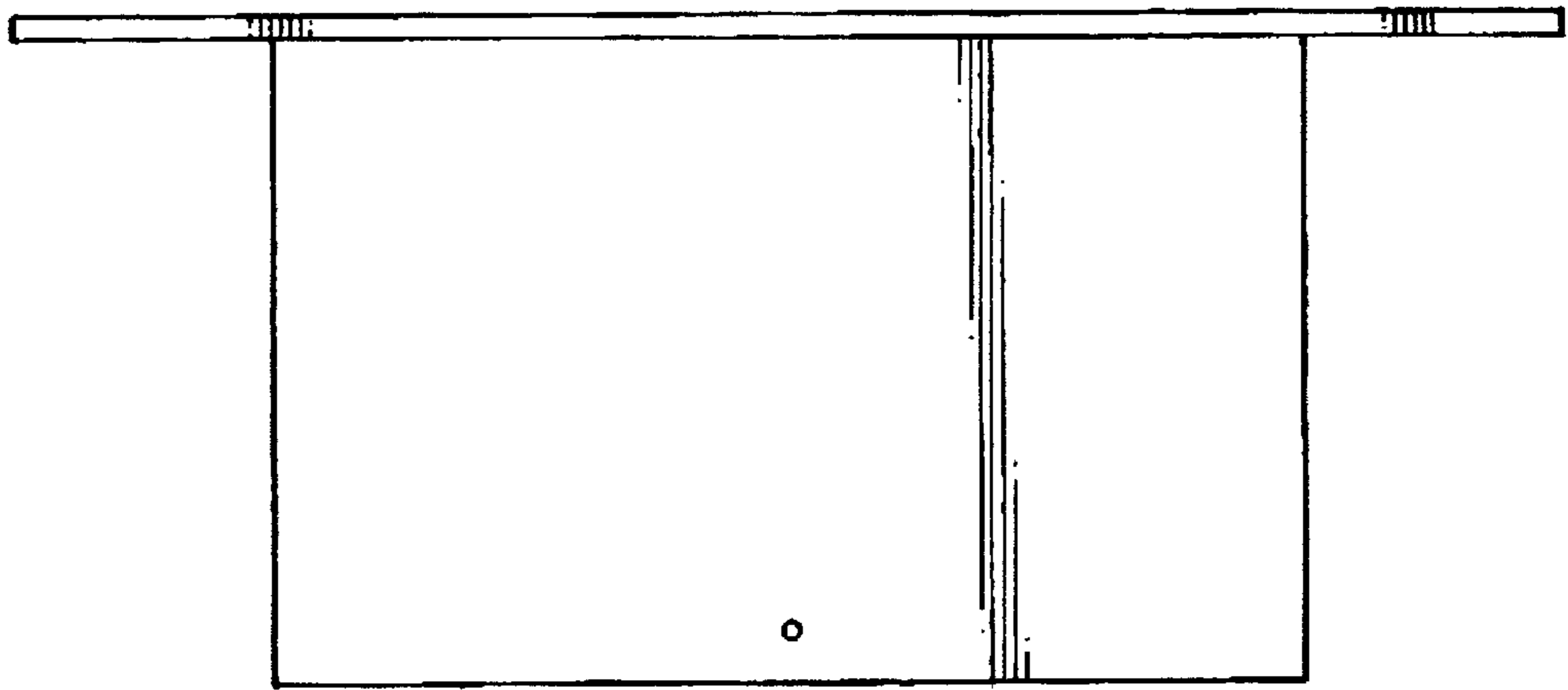


FIG. 3.

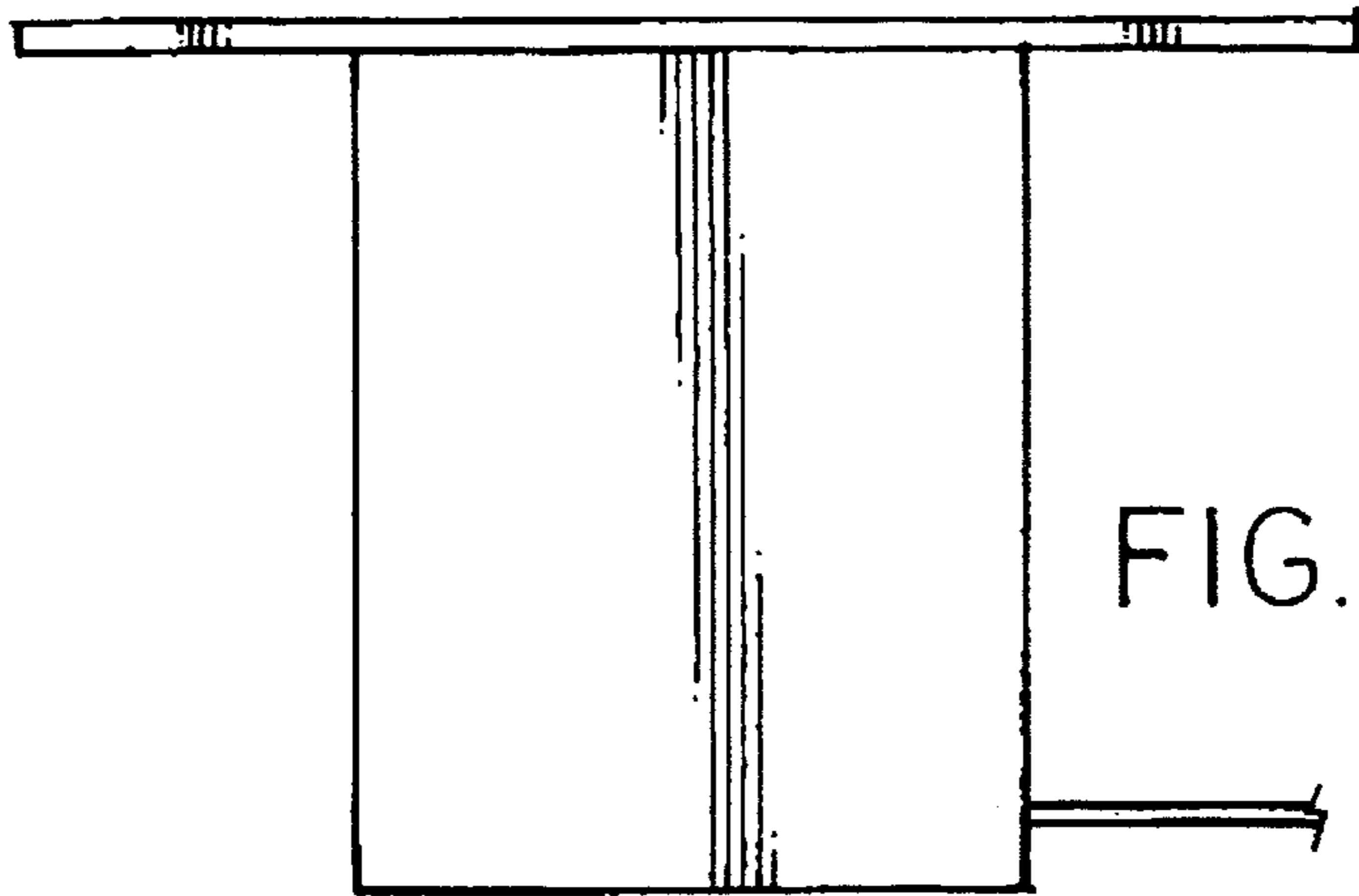


FIG. 4.

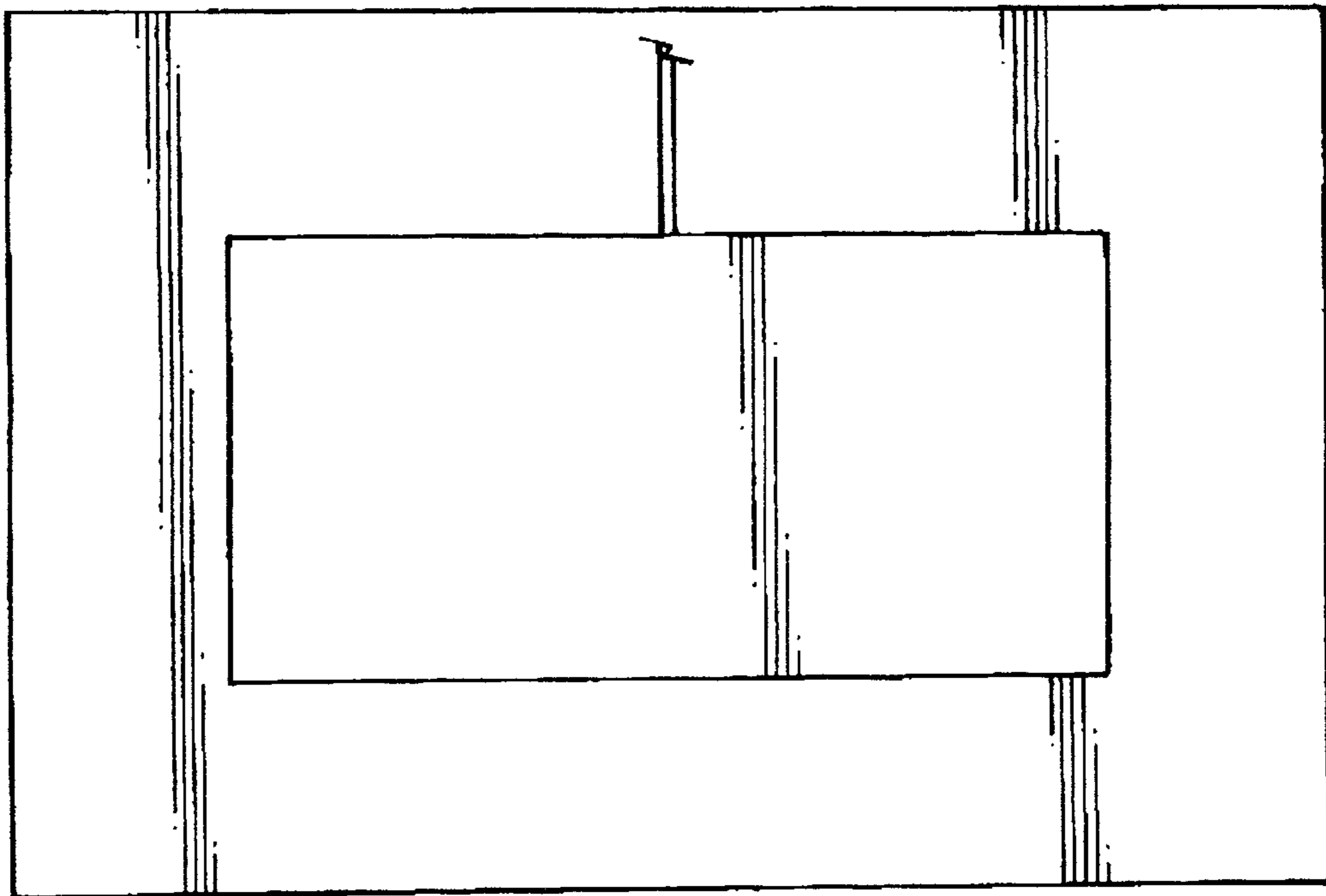


FIG. 6.