



US00D471034S

(12) **United States Design Patent**
Bong et al.

(10) **Patent No.:** **US D471,034 S**

(45) **Date of Patent:** **** Mar. 4, 2003**

(54) **TV STAND**

(75) **Inventors:** **Tae Geun Bong**, Kyunggi-do (KR);
Young Min Cho, Gwanju (KR); **Sun Woo Park**, Seoul (KR)

(73) **Assignee:** **UPD Corporation**, Kyunggi-do (KR)

(**) **Term:** **14 Years**

(21) **Appl. No.:** **29/146,218**

(22) **Filed:** **Aug. 6, 2001**

(30) **Foreign Application Priority Data**

Jul. 19, 2001 (KR) 01-19901

(51) **LOC (7) Cl.** **06-04**

(52) **U.S. Cl.** **D6/479; D6/466**

(58) **Field of Search** D6/630, 436, 449,
D6/474, 477, 478, 479, 470, 466; D14/126,
133, 239; 211/41.14, 42, 43, 133.1, 205;
312/7.1, 7.2, 9.1, 111, 249.6, 249.8, 249.13

(56) **References Cited**

U.S. PATENT DOCUMENTS

5,584,595 A * 12/1996 Gantitano et al. 403/24

D450,489 S * 11/2001 Wong D6/479

D454,731 S * 3/2002 Niitsu D6/479

D457,507 S * 5/2002 Lim et al. D14/133

D457,755 S * 5/2002 Sun et al. D6/479

* cited by examiner

Primary Examiner—Cathron C. Brooks

(74) *Attorney, Agent, or Firm*—Fulbright & Jaworski L.L.P.

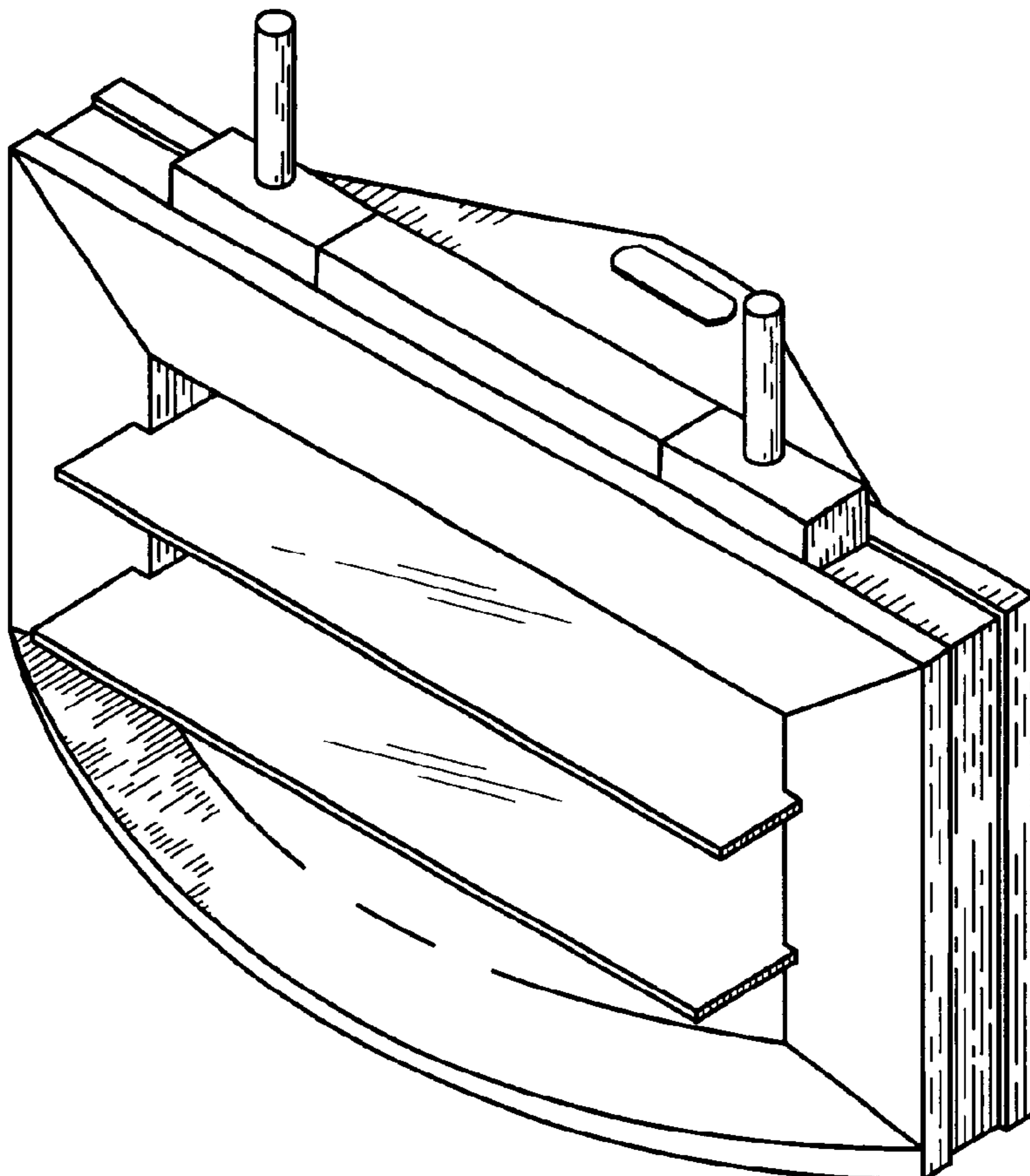
(57) **CLAIM**

The ornamental design for a TV stand, as shown and described.

DESCRIPTION

FIG. 1 is a perspective view of the TV stand;
FIG. 2 is a front elevational view thereof;
FIG. 3 is a rear elevational view thereof;
FIG. 4 is a left side elevational view thereof;
FIG. 5 is a top plan view thereof; and
FIG. 6 is a bottom plan view thereof; and,
FIG. 7 is a perspective view of the TV stand showing in broken lines a television receiver, such as a PDP receiver, and two speakers placed upon the TV stand. The television receiver and speakers are for illustrative purposes only and are disclaimed.

1 Claim, 4 Drawing Sheets



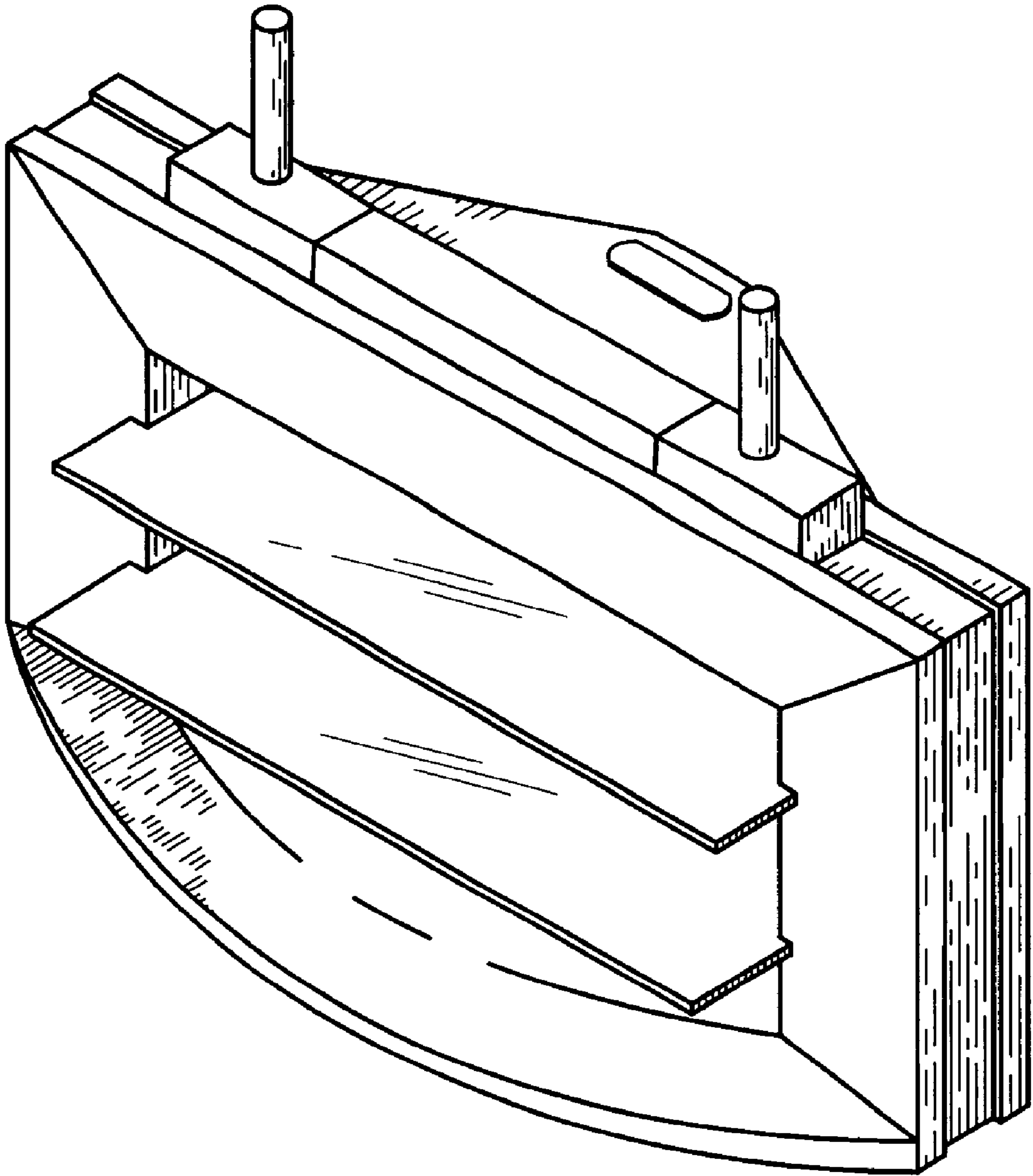


FIG. 1

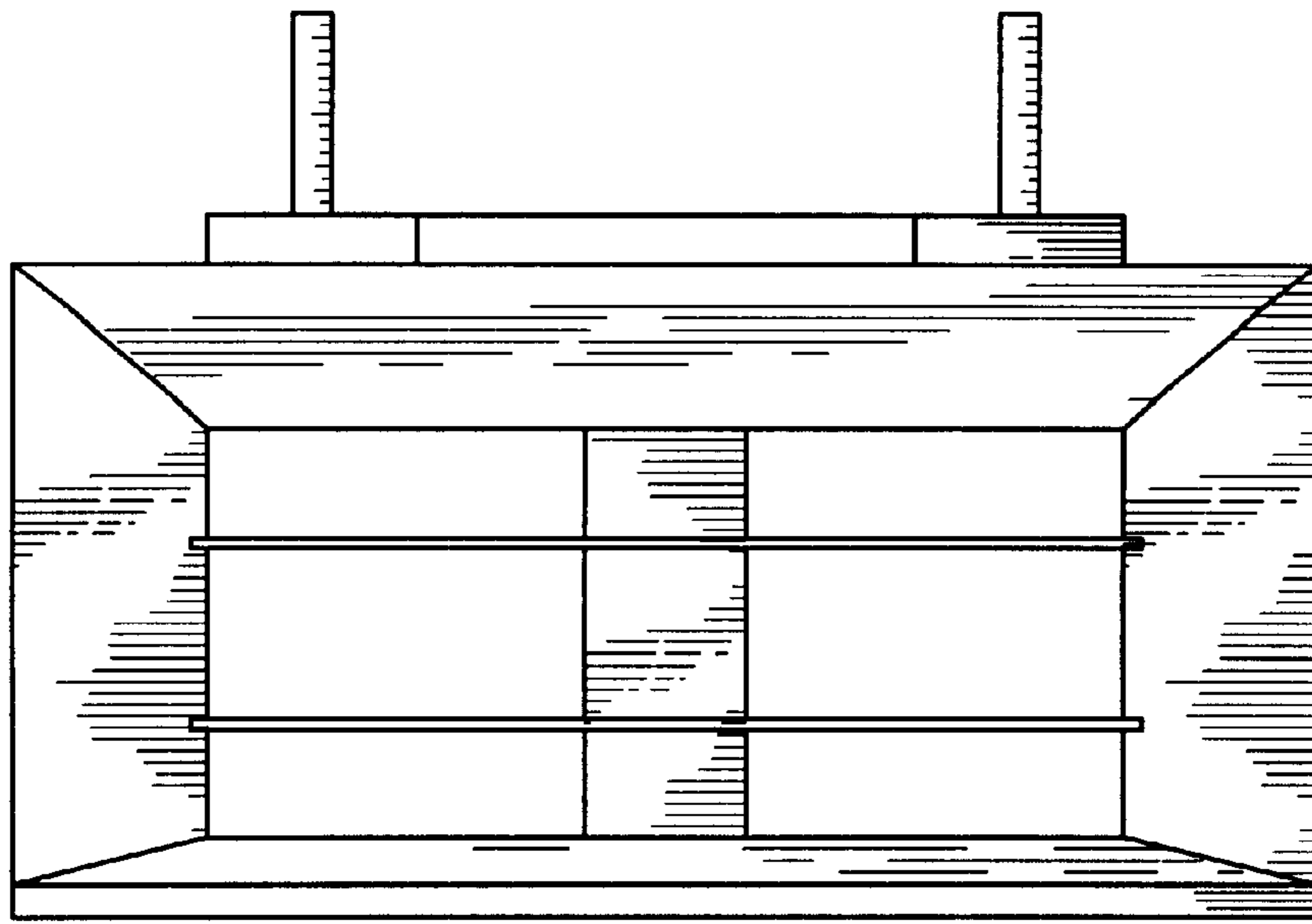


FIG. 2

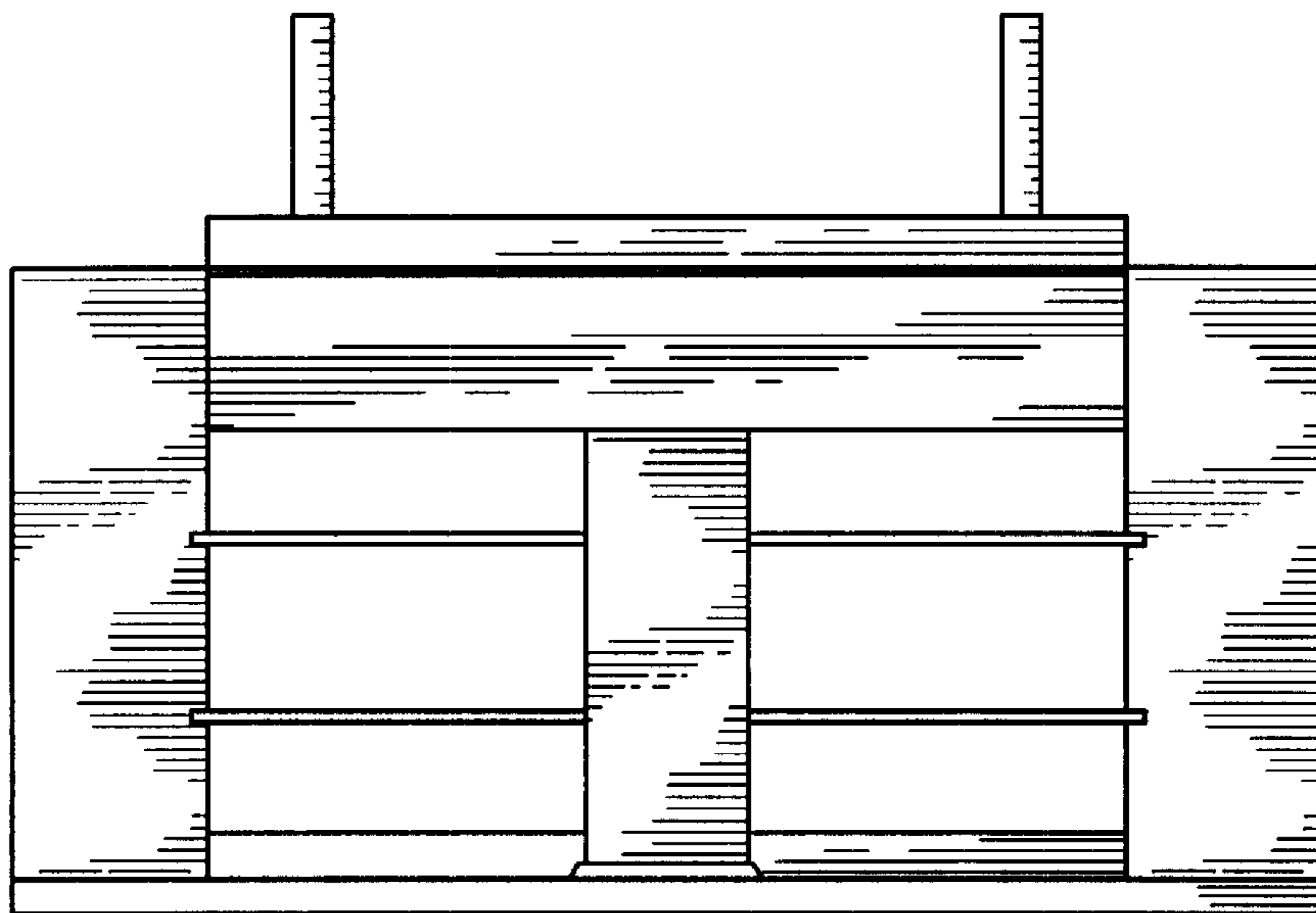


FIG. 3

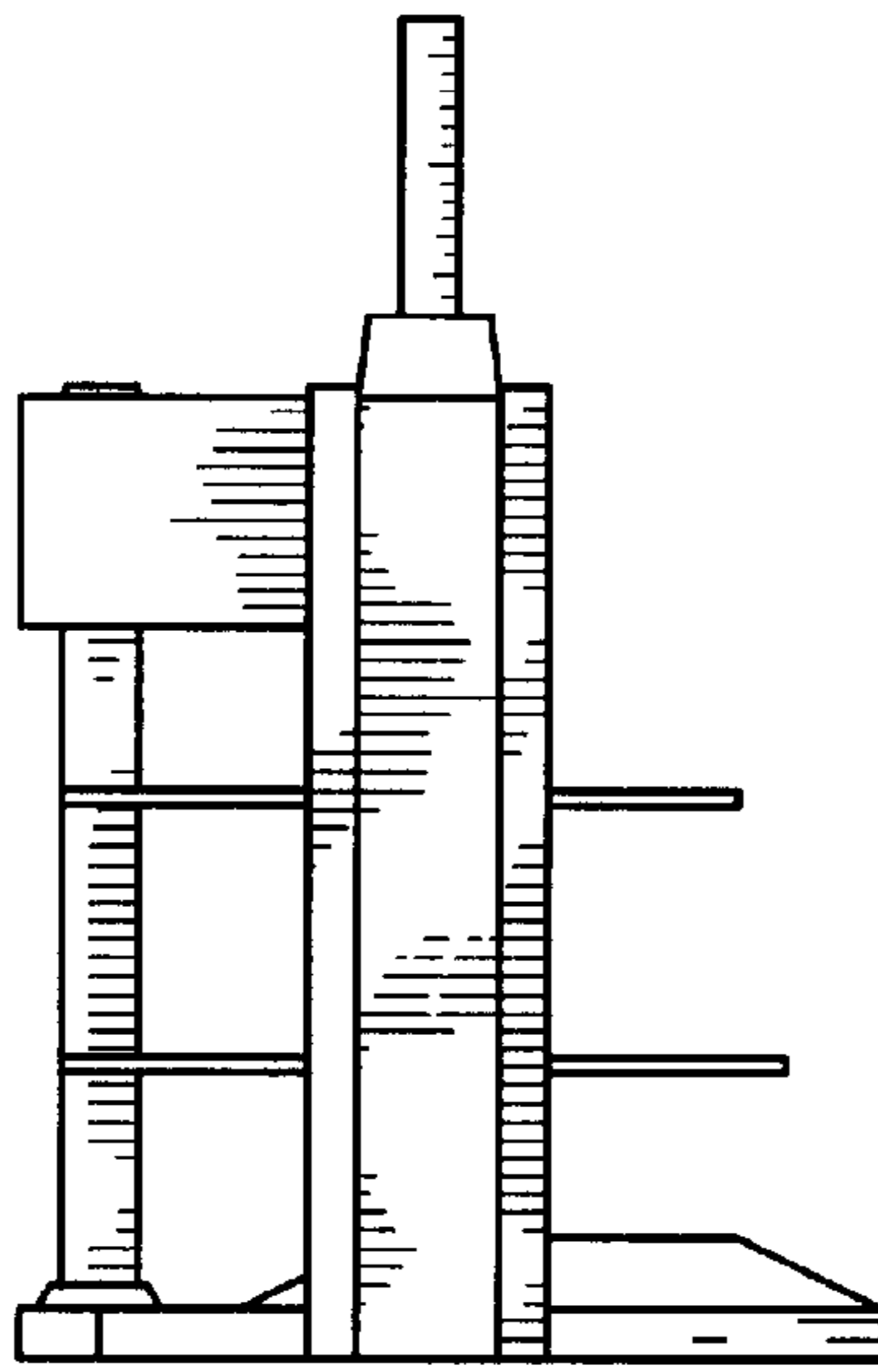


FIG. 4

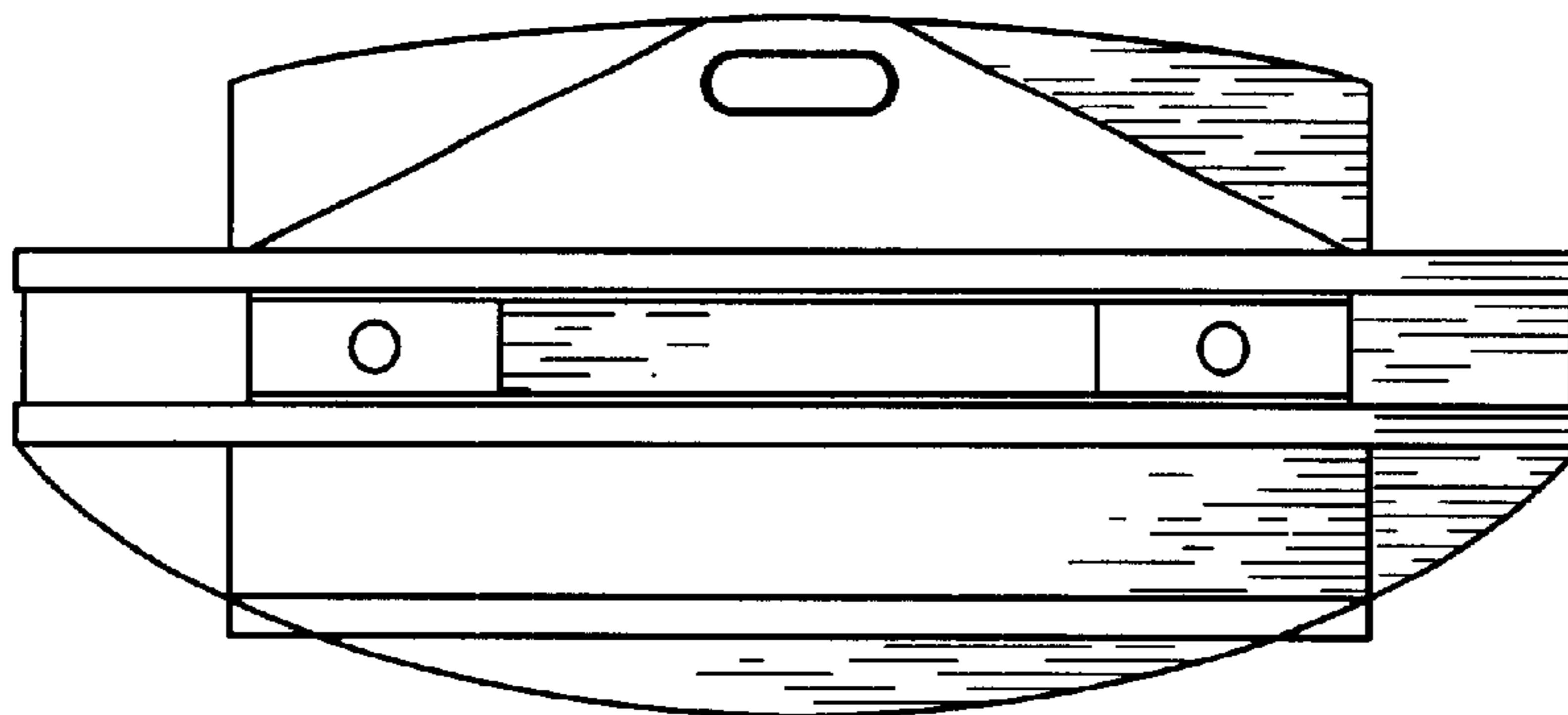


FIG. 5

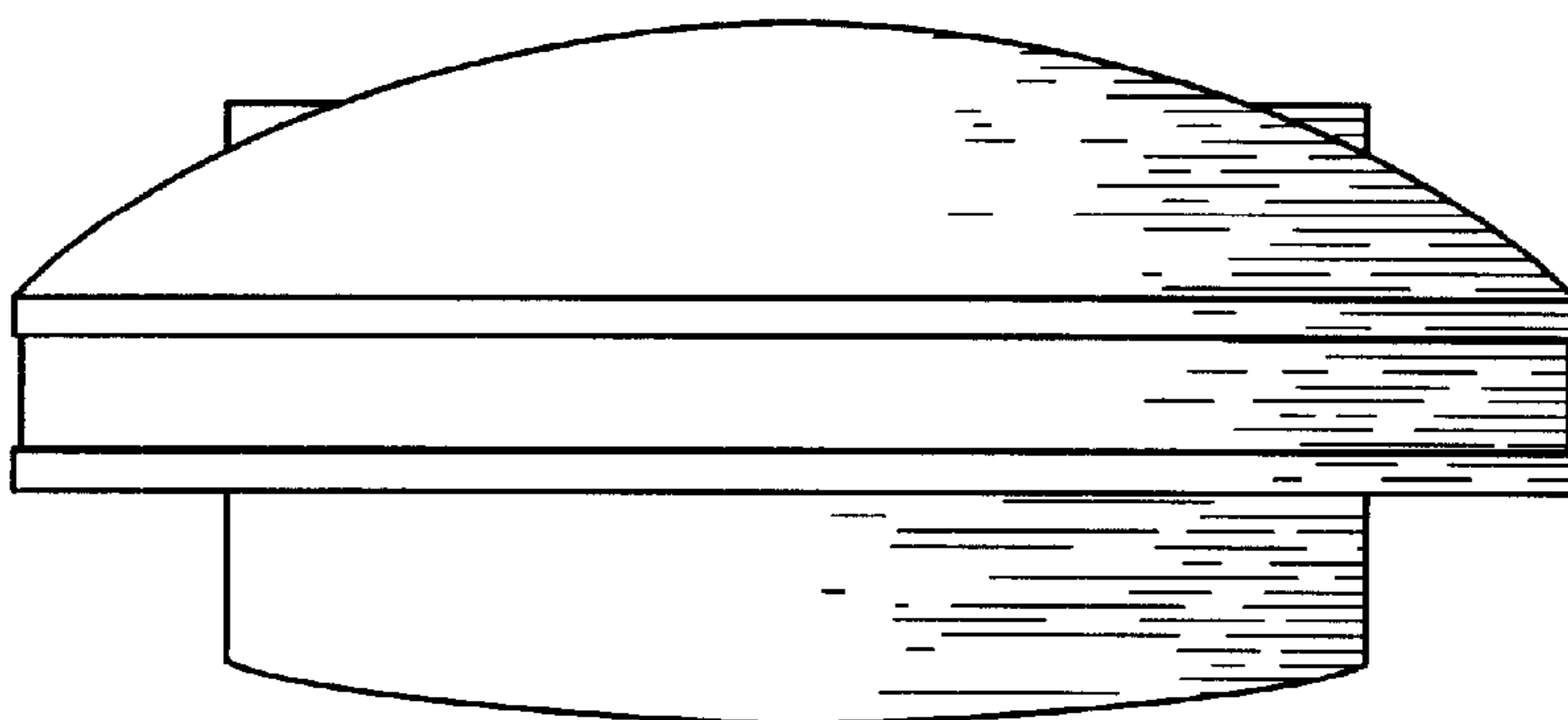


FIG. 6

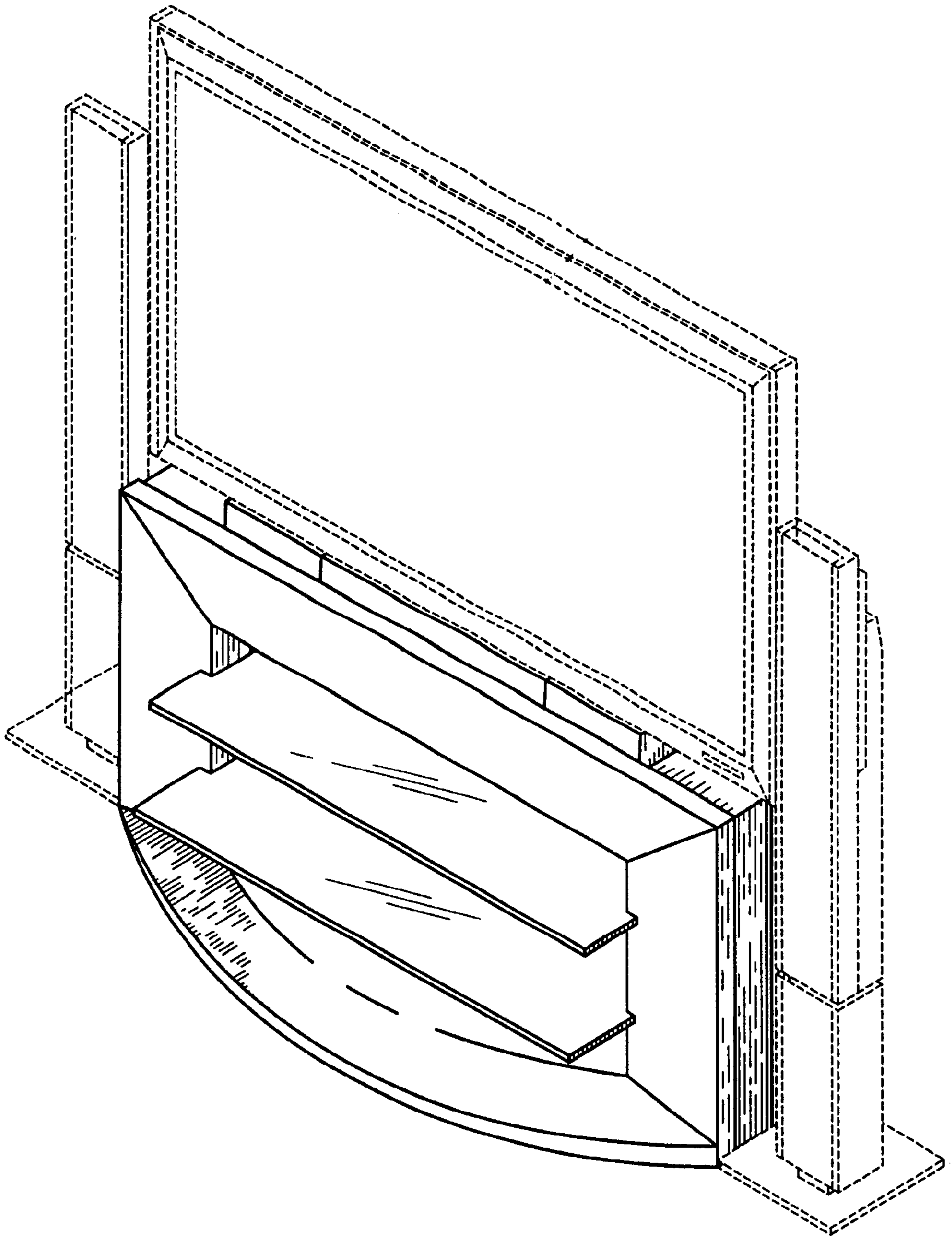


FIG. 7