



US00D471032S

(12) **United States Design Patent**
Clucas

(10) **Patent No.:** **US D471,032 S**

(45) **Date of Patent:** **** Mar. 4, 2003**

(54) **SPACESAVER SHELVES**

(75) **Inventor:** **Michael P. Clucas**, Boothwyn, PA (US)

(73) **Assignee:** **Zenith Products Corp.**, New Castle, DE (US)

(**) **Term:** **14 Years**

(21) **Appl. No.:** **29/158,818**

(22) **Filed:** **Apr. 10, 2002**

(51) **LOC (7) Cl.** **06-04**

(52) **U.S. Cl.** **D6/465**

(58) **Field of Search** D6/436, 437, 411,
D6/455, 457-469, 454, 524, 546; 108/59,
91, 92, 149, 107, 181; 211/13.1, 85.2, 78,
85.26, 205, 181.1, 182, 189, 34, 37, 186,
187, 133.2

(56) **References Cited**

U.S. PATENT DOCUMENTS

D314,099 S * 1/1991 Kee D6/465
D318,388 S * 7/1991 Kee D6/465

D320,900 S * 10/1991 Kee D6/465
D331,846 S * 12/1992 Kee D6/465
D383,921 S * 9/1997 Newkirk D6/465
D407,242 S * 3/1999 Tseng D6/464
D456,638 S * 5/2002 Walker D6/465

* cited by examiner

Primary Examiner—Cathron C. Brooks

(74) *Attorney, Agent, or Firm*—Edgar A. Zarins; Lloyd D. Doigan

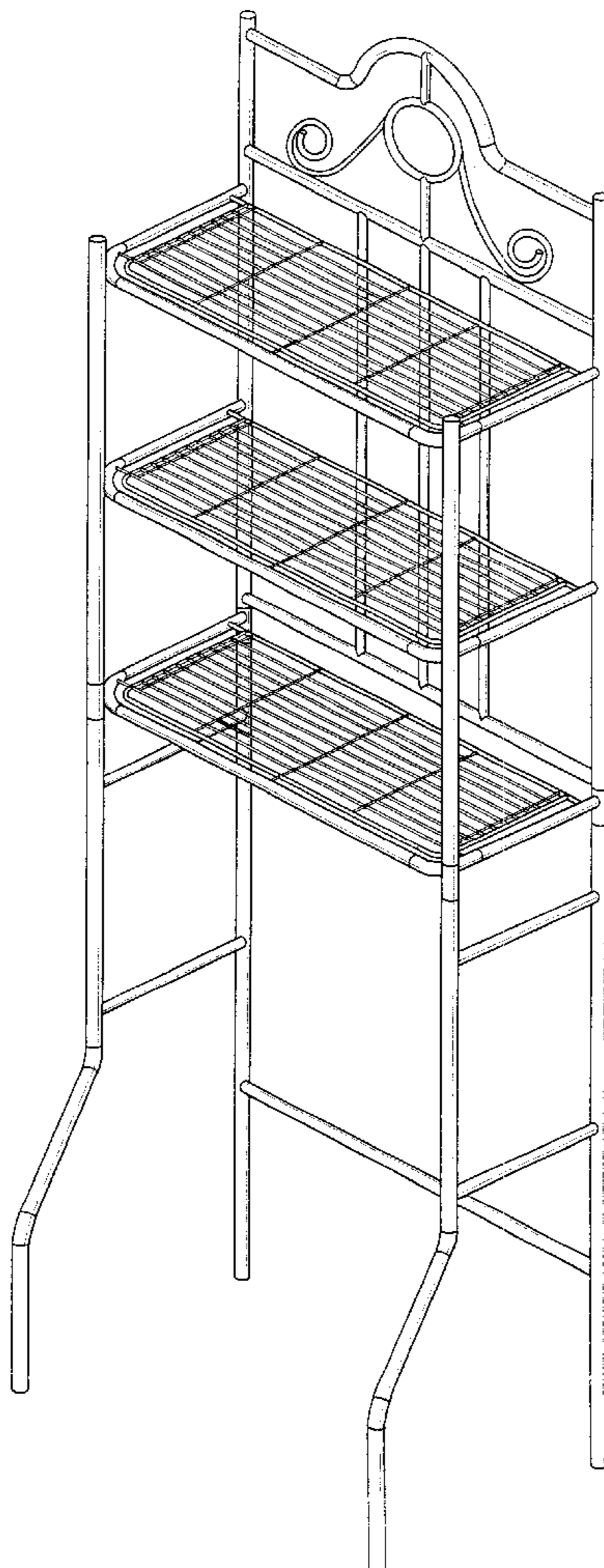
(57) **CLAIM**

The ornamental design for spacesaver shelves, as shown and described.

DESCRIPTION

FIG. 1 is a perspective view of spacesaver shelves showing my new design;
FIG. 2 is a front elevational view thereof;
FIG. 3 is a left side view thereof, the opposite side being a mirror image of the side shown; and,
FIG. 4 is a top plan view thereof.

1 Claim, 3 Drawing Sheets



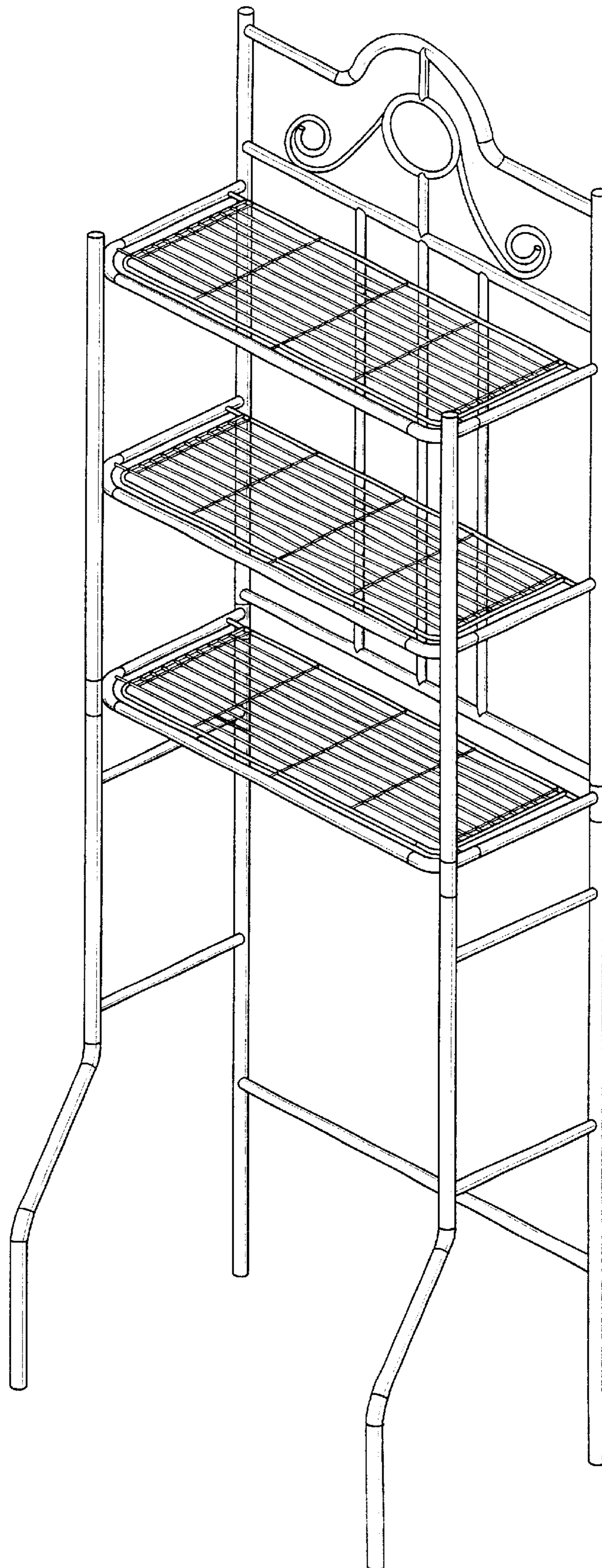


Fig-1

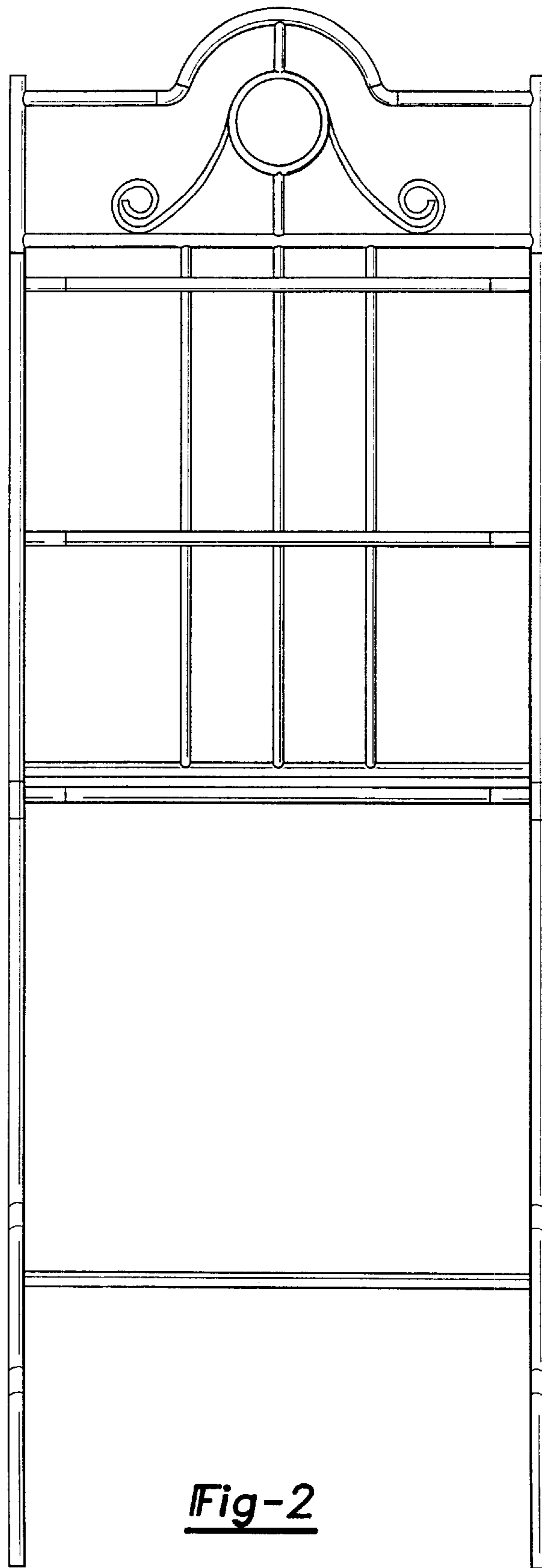


Fig-2

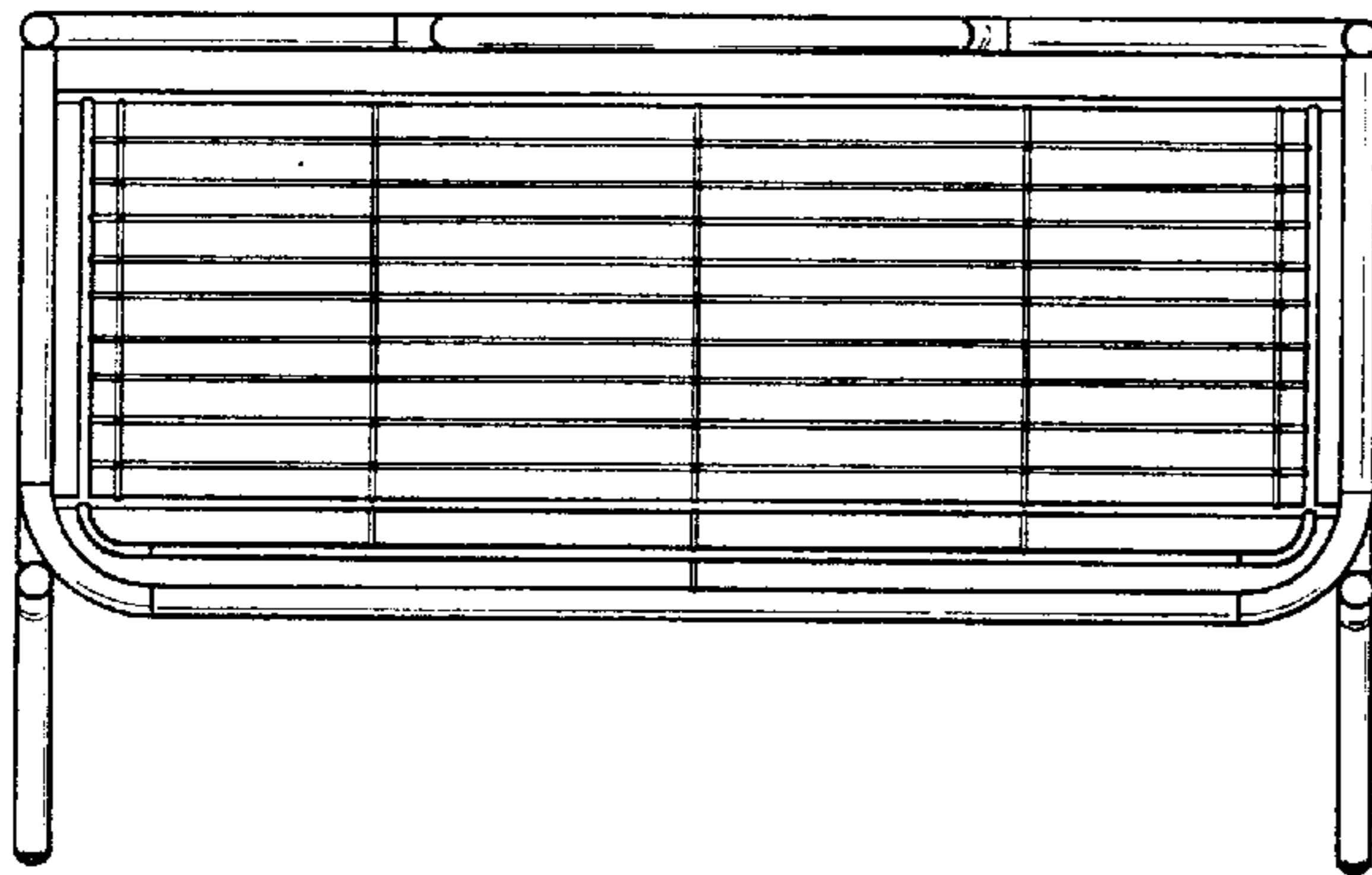


Fig-4

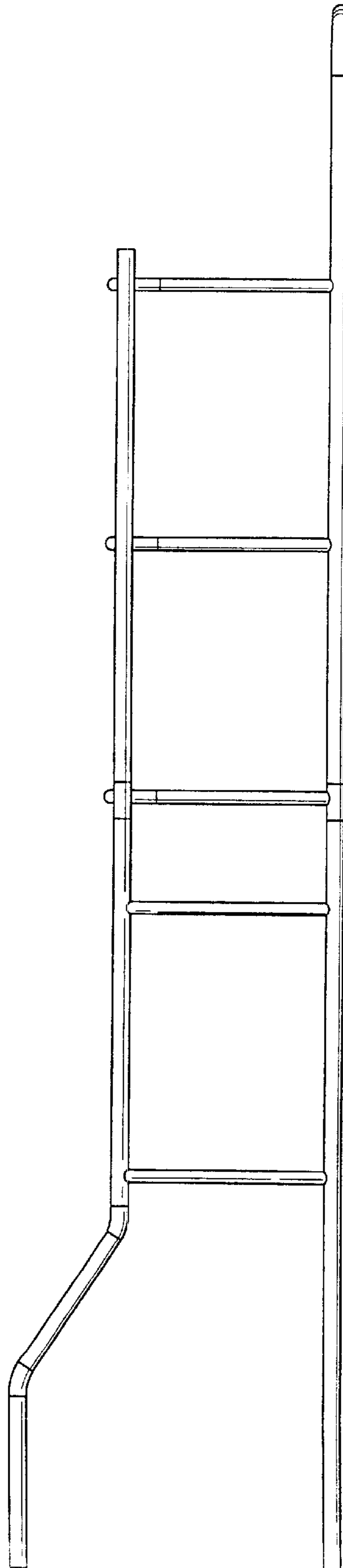


Fig-3