



US00D471029S

(12) **United States Design Patent**
Brady

(10) **Patent No.:** **US D471,029 S**

(45) **Date of Patent:** **** Mar. 4, 2003**

(54) **AUXILIARY TABLE AND CONVENIENCE CHEST FOR HOSPITAL BEDS**

(76) **Inventor:** **Traves J. Brady**, 4100 E. 38th St., Des Moines, IA (US) 50317

(**) **Term:** **14 Years**

(21) **Appl. No.:** **29/160,378**

(22) **Filed:** **May 9, 2002**

(51) **LOC (7) Cl.** **06-06**

(52) **U.S. Cl.** **D6/406.2**

(58) **Field of Search** D6/406.1, 406.2, D6/406.3, 406.4, 406.5, 406.6, 310, 339, 419, 420, 429, 449, 511; D7/545, 550.1, 554.3, 554.4, 698; D12/415, 416, 426.1; D19/36, 52, 65, 75, 78, 86, 88, 90, 91, 92, 99; 108/36, 43, 6, 136, 44, 49, 146, 129, 132; 224/42.11, 400; 248/166, 444, 451, 460, 463, 408; 281/145; 297/148, 153; 312/231, 281

4,715,295 A	12/1987	Hartman et al.	
4,735,469 A	* 4/1988	Liggett	108/6
D297,190 S	* 8/1988	Arnott	D6/429
D300,092 S	* 3/1989	Middlemist	D6/420
4,848,710 A	7/1989	Newman	
D316,565 S	* 4/1991	Rust	D19/78
D330,916 S	* 11/1992	Wolfe	D6/420
D344,420 S	* 2/1994	Rodriquez	D6/429
5,485,793 A	* 1/1996	Crowell	108/44
D368,602 S	* 4/1996	Jordan	D6/419
5,606,918 A	* 3/1997	Cauffiel	108/49
D394,879 S	* 6/1998	Carbonaro	D19/78
6,047,750 A	4/2000	Jensen	
6,269,753 B1	8/2001	Roddan	
D456,171 S	* 4/2002	Coonan et al.	D6/419
D459,610 S	* 7/2002	Coonan et al.	D6/419
6,425,631 B1	* 7/2002	Lin	297/148

* cited by examiner

Primary Examiner—Doris V. Coles
Assistant Examiner—T. Chase Nelson

(57) **CLAIM**

The ornamental design for an auxiliary table and convenience chest for hospital beds, as shown and described.

(56) **References Cited**

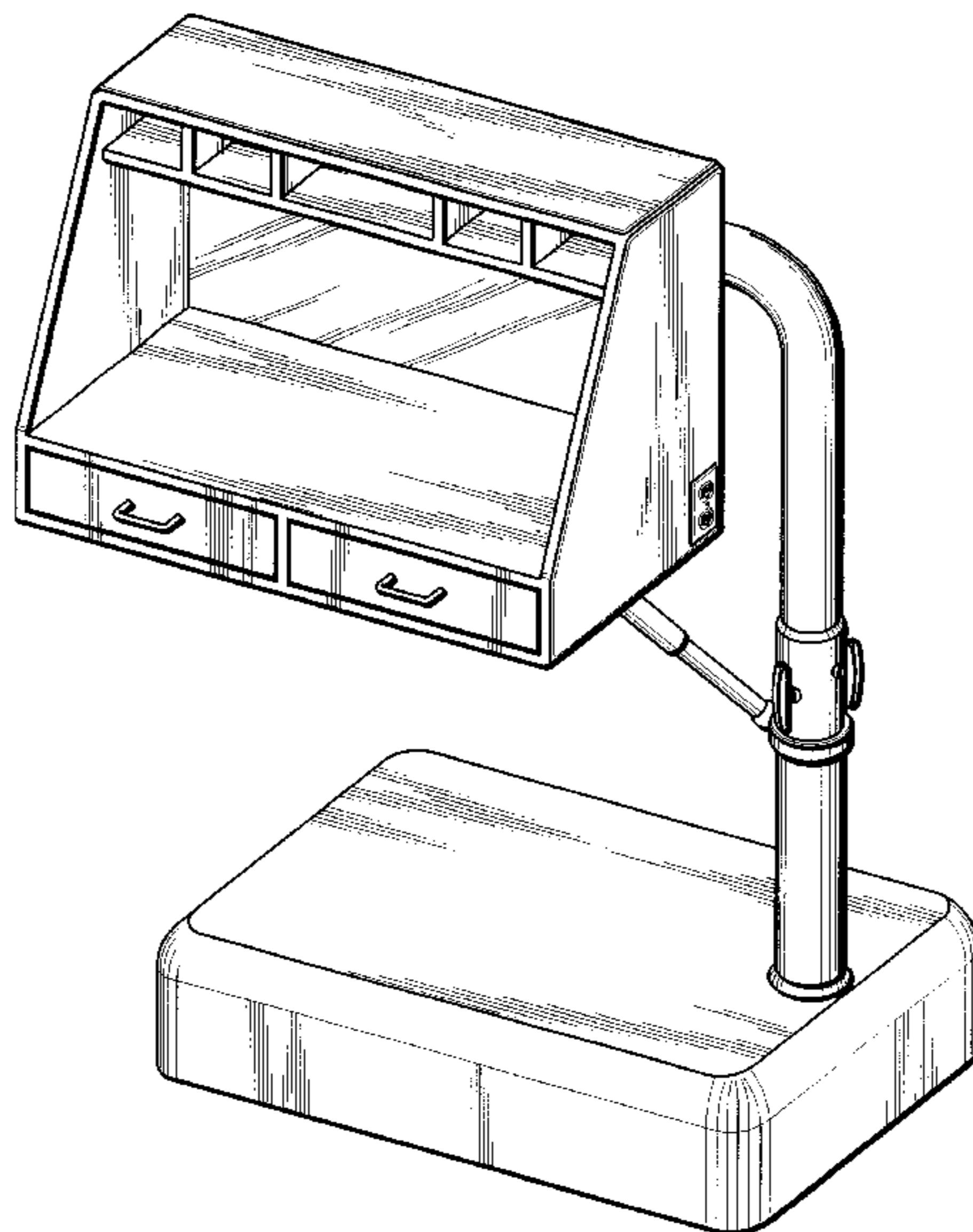
U.S. PATENT DOCUMENTS

689,758 A	* 12/1901	Shaw	108/6
893,694 A	* 7/1908	Allenson	248/166
D192,809 S	* 5/1962	Sundberg	D6/429
3,304,609 A	2/1967	Horowitz et al.	
3,392,955 A	* 7/1968	Cole	108/6
D220,343 S	* 3/1971	Boissicat	D6/406.2
3,854,428 A	* 12/1974	Fullenkamp	108/146
3,908,565 A	9/1975	Burnett	
3,936,109 A	* 2/1976	Richardson	312/231
3,963,288 A	6/1976	Burnett	
4,077,333 A	* 3/1978	Ballas	108/6
4,286,525 A	9/1981	Willmore	
D288,099 S	* 2/1987	Abitz	D6/419
4,672,898 A	* 6/1987	Davidson	108/44

DESCRIPTION

FIG. 1 is a perspective view of an auxiliary table and convenience chest for hospital beds showing my new design;
FIG. 2 is a front elevation thereof;
FIG. 3 is a rear elevation thereof;
FIG. 4 is an elevational view thereof as seen from the right-hand side of FIG. 1;
FIG. 5 is an elevational view as seen from the left-hand side of FIG. 1; and,
FIG. 6 is a top plan view.

1 Claim, 4 Drawing Sheets



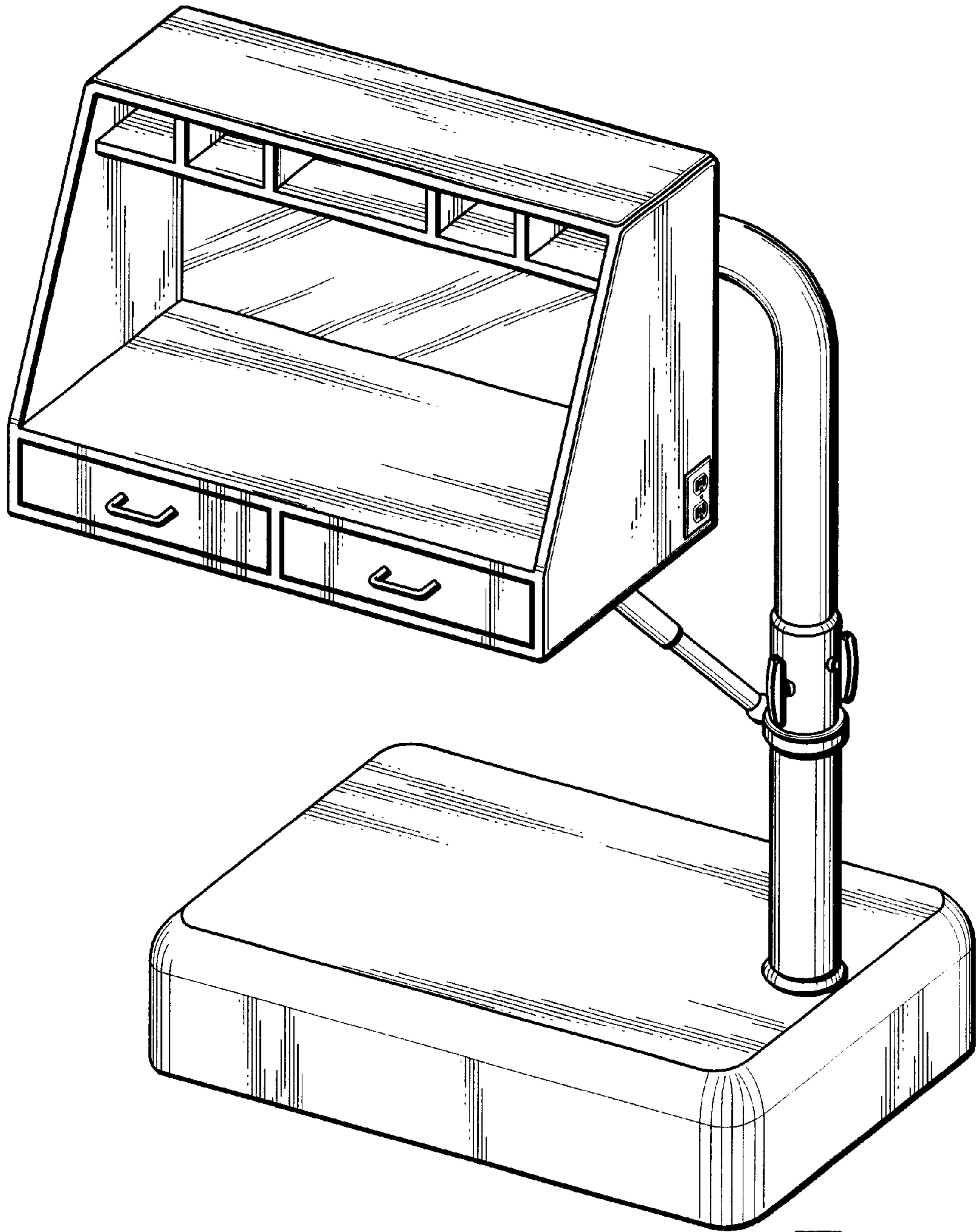


FIG. 1

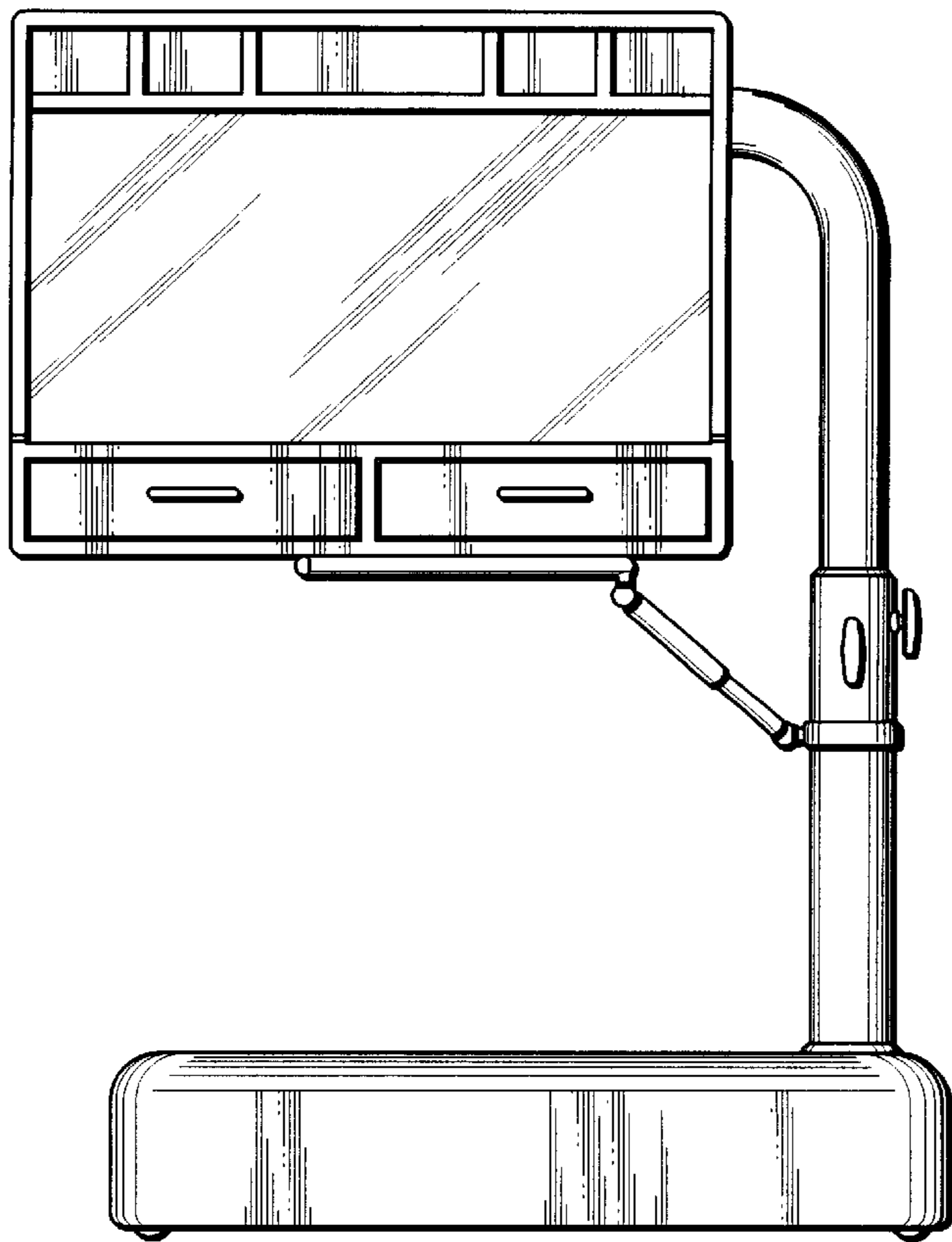


FIG. 2

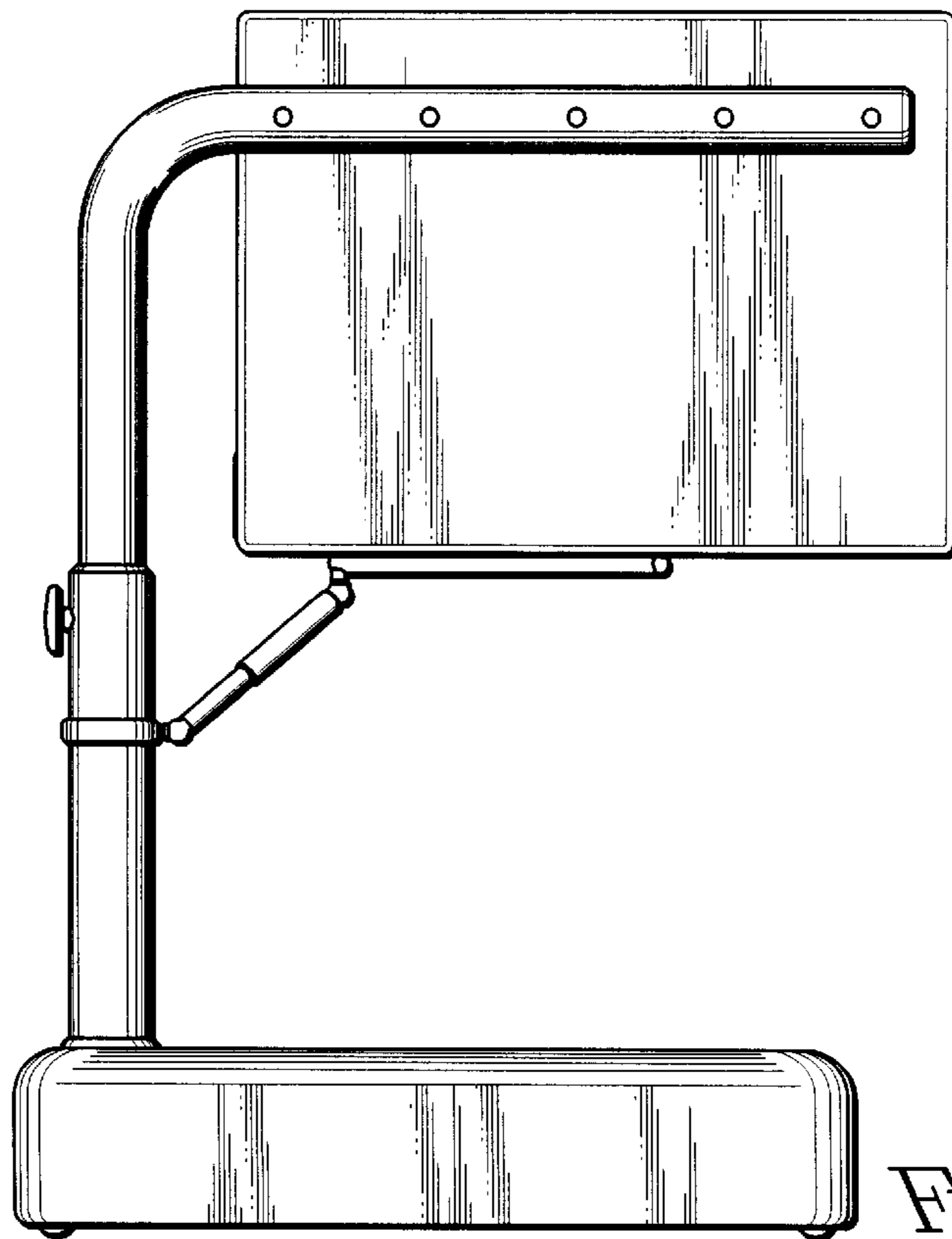


FIG. 3

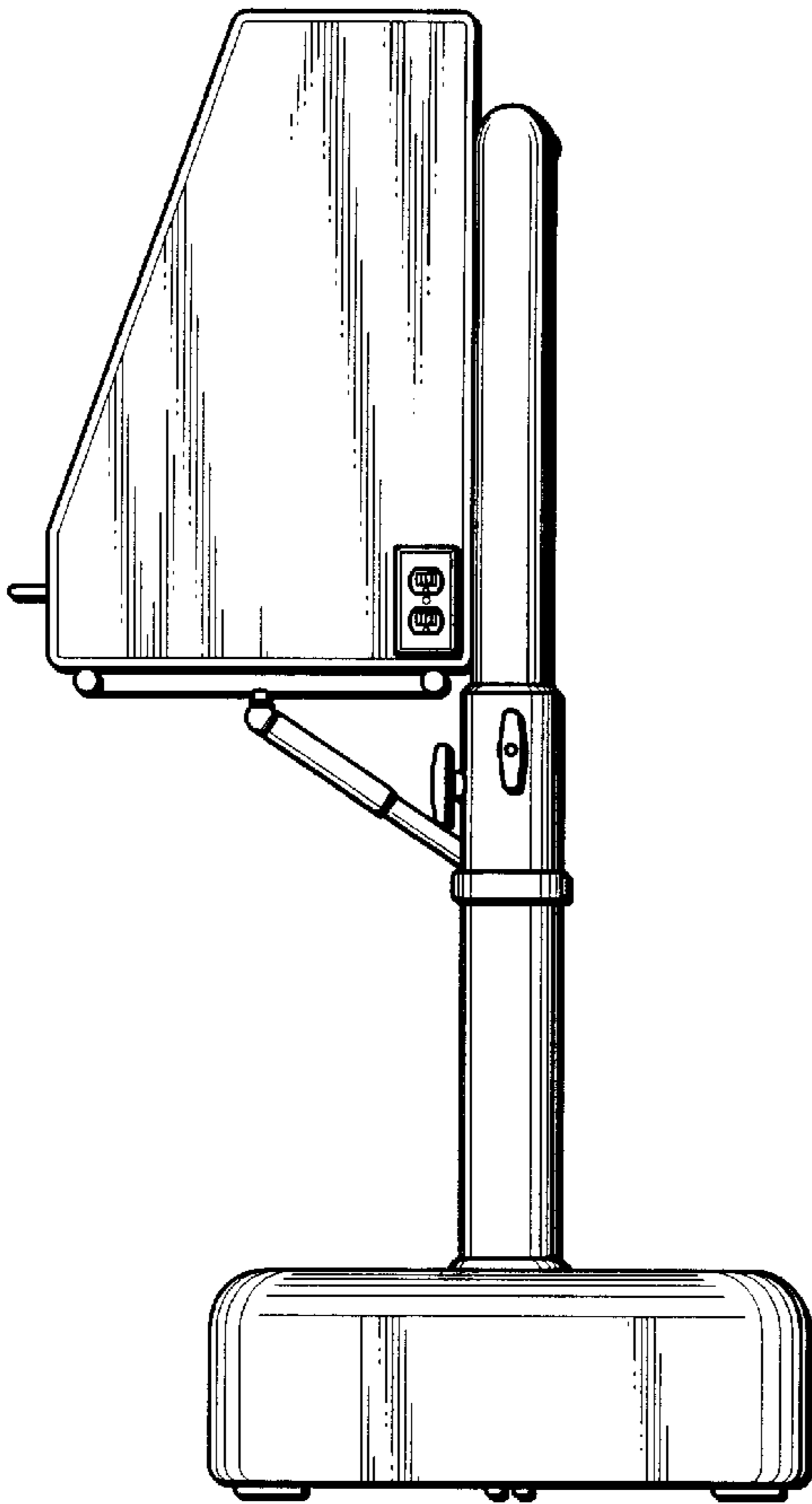


FIG. 4

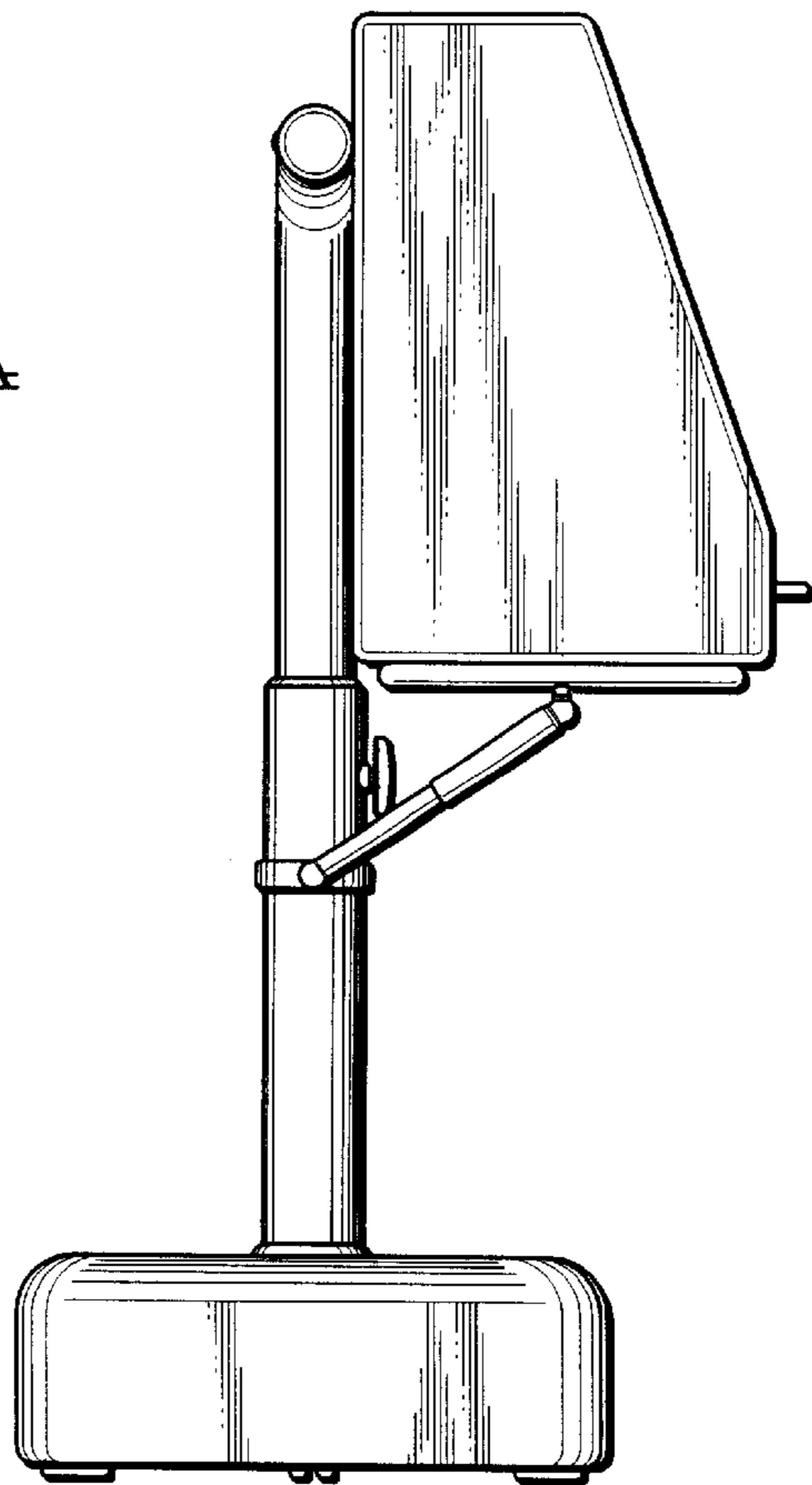


FIG. 5

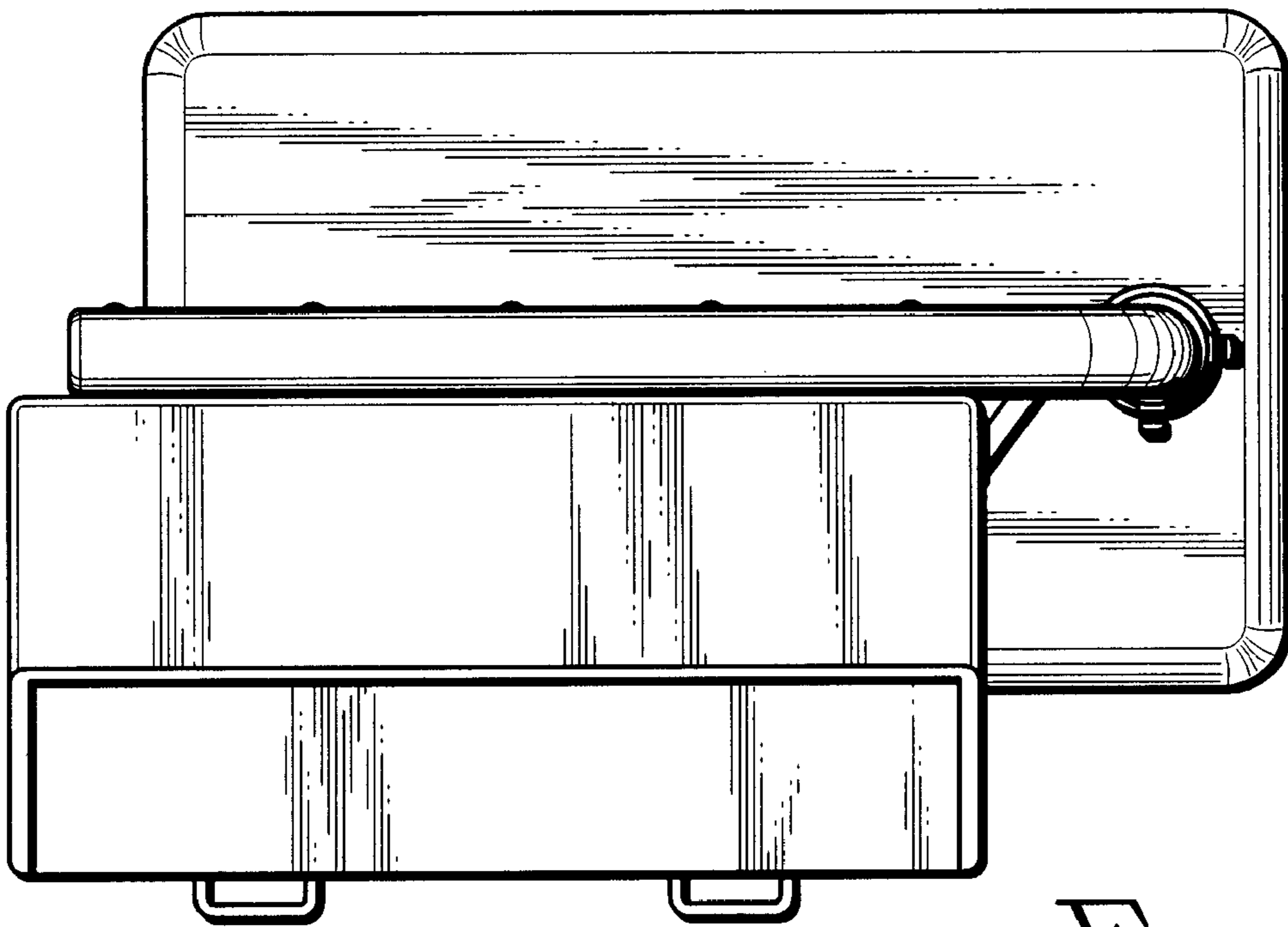


FIG. 6