



US00D471025S

(12) **United States Design Patent**
Chiu

(10) **Patent No.:** **US D471,025 S**

(45) **Date of Patent:** **** Mar. 4, 2003**

(54) **CHAIR**

(76) **Inventor:** **Ciber Chiu**, No. 54-6, Chipan Lane,
Lukang Chen, Changhua Hsien (TW)

(**) **Term:** **14 Years**

(21) **Appl. No.:** **29/164,522**

(22) **Filed:** **Jul. 25, 2002**

(51) **LOC (7) Cl.** **06-01**

(52) **U.S. Cl.** **D6/366**

(58) **Field of Search** D6/334, 335, 358,
D6/364, 365, 366, 367, 500, 501, 502;
297/452.41

(56) **References Cited**

U.S. PATENT DOCUMENTS

| | | | | | |
|------------|---|--------|----------------|-------|--------|
| D76,151 S | * | 8/1928 | Racz | | D6/366 |
| D195,770 S | * | 7/1963 | Isola | | D6/367 |
| D211,461 S | * | 6/1968 | Walkinshaw | | D6/366 |
| D267,680 S | * | 1/1983 | Leffler et al. | | D6/366 |
| D383,321 S | * | 9/1997 | Honeycutt, Sr. | | D6/358 |

| | | | | | |
|--------------|---|---------|--------------|-------|------------|
| 5,690,389 A | * | 11/1997 | Ekman et al. | | 297/452.41 |
| D420,841 S | * | 2/2000 | Keilhauer | | D6/502 |
| 6,070,943 A | * | 6/2000 | Guery-Strahm | | 297/452.41 |
| 6,390,559 B1 | * | 5/2002 | Schnitzhofer | | 297/452.41 |
| 6,447,070 B1 | * | 9/2002 | Ekman et al. | | 297/452.41 |

* cited by examiner

Primary Examiner—Gary D. Watson

(74) *Attorney, Agent, or Firm*—William E. Pelton, Esq.

(57) **CLAIM**

The ornamental design for a chair, as shown.

DESCRIPTION

FIG. 1 is a perspective view of a chair showing my new design;

FIG. 2 is a front elevational view thereof;

FIG. 3 is a rear elevational view thereof;

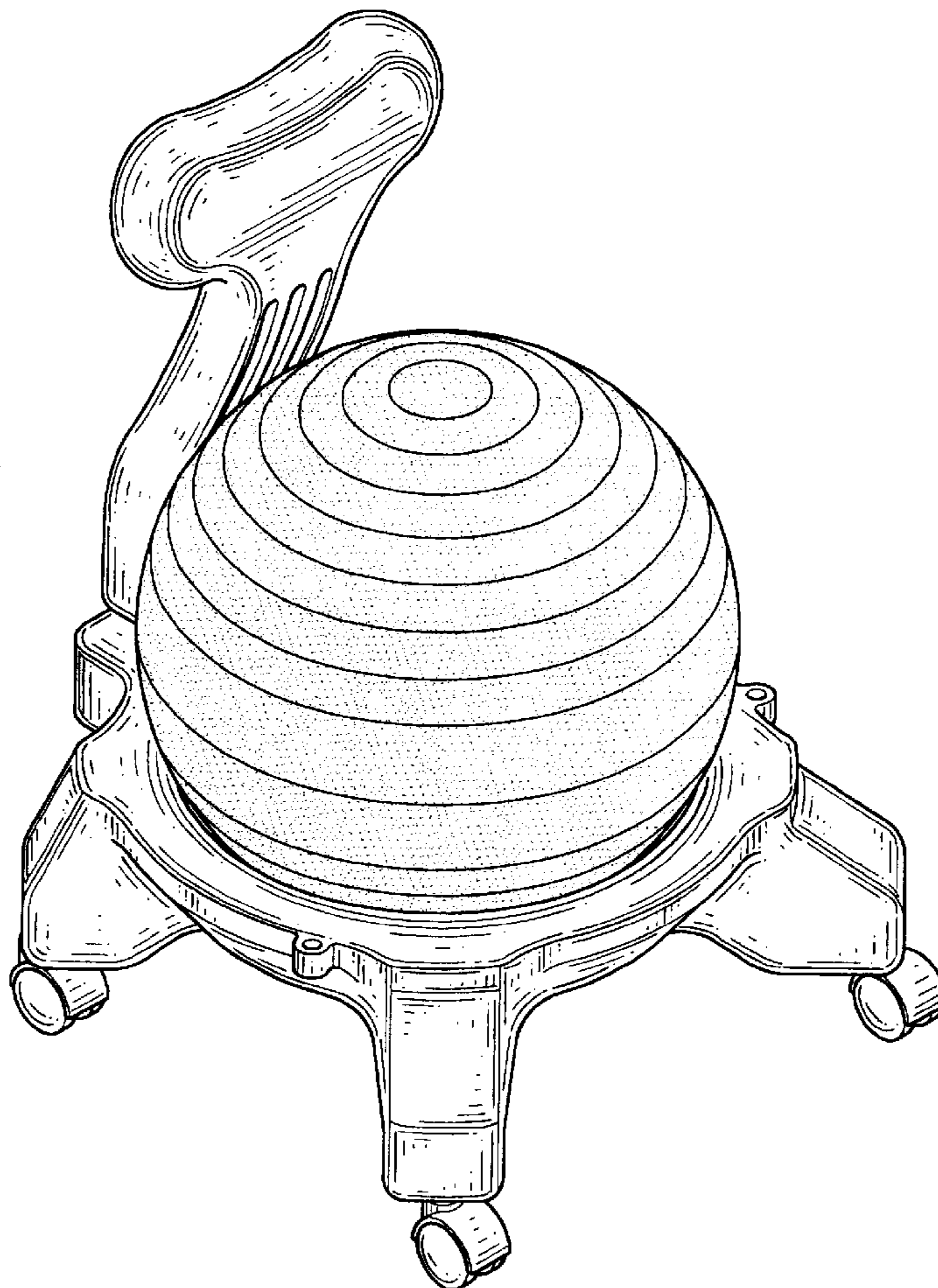
FIG. 4 is a left side view thereof;

FIG. 5 is a right side view thereof;

FIG. 6 is a top plain view thereof; and,

FIG. 7 is a bottom plain view thereof.

1 Claim, 4 Drawing Sheets



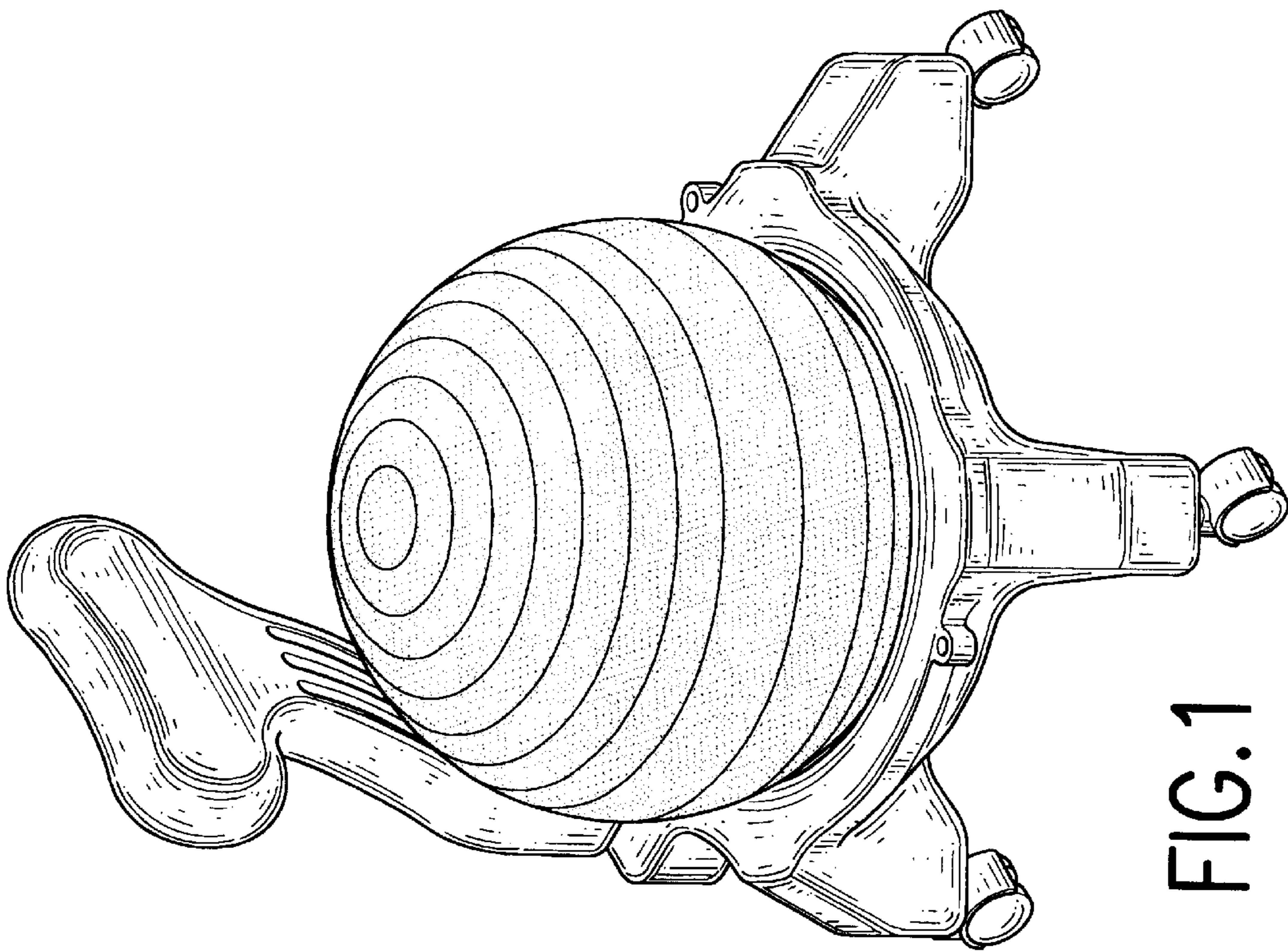


FIG. 1

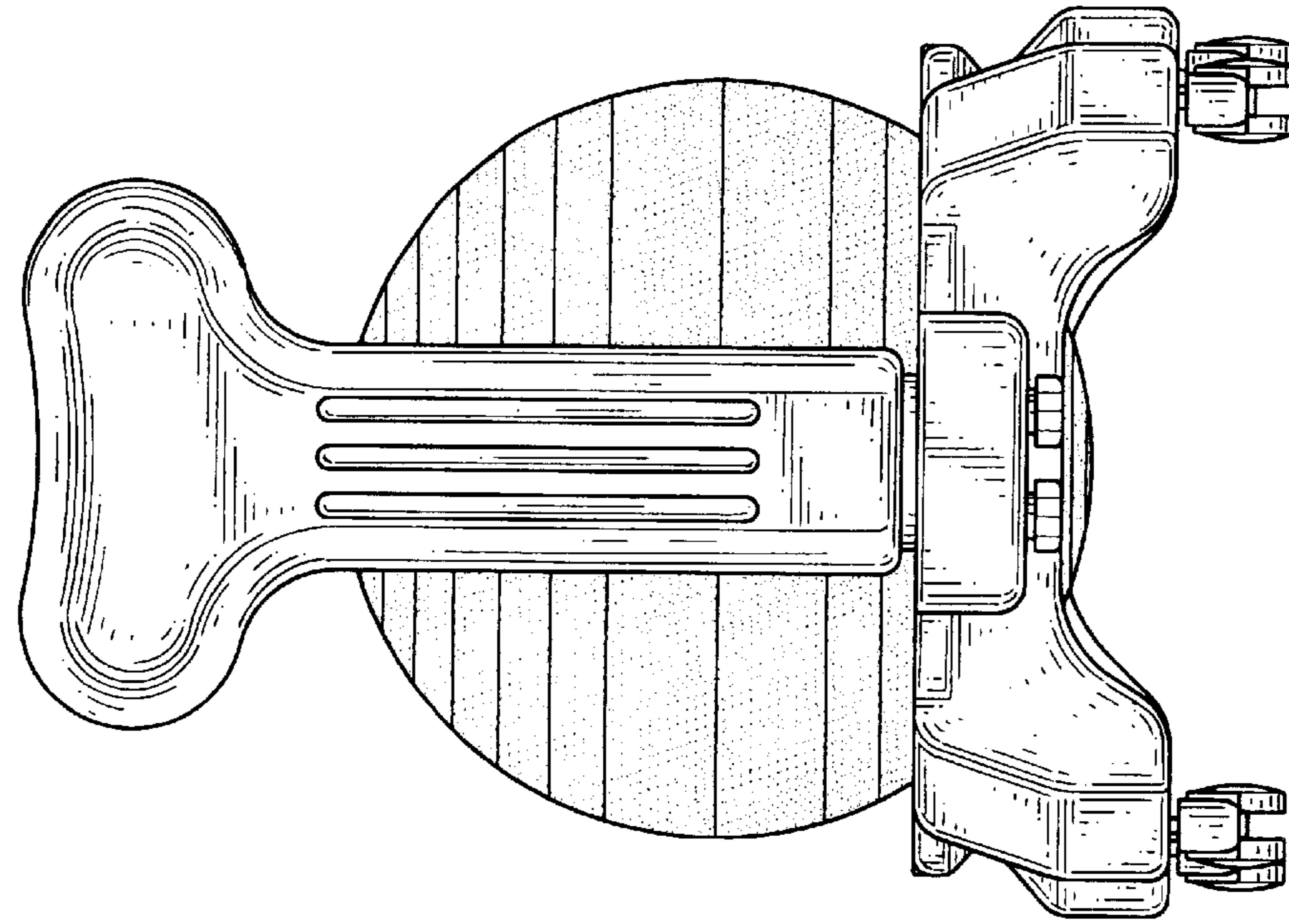


FIG.3

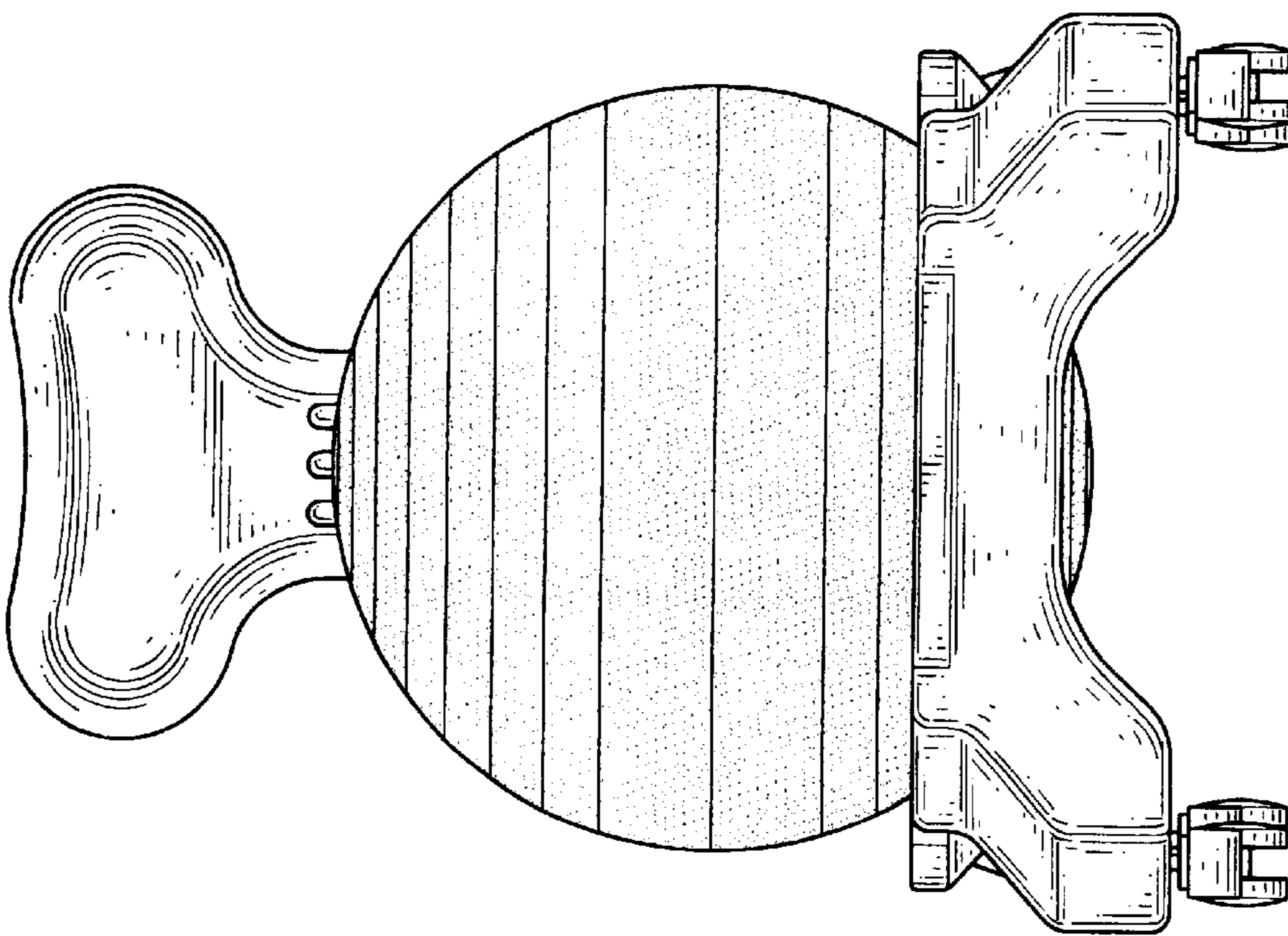


FIG.2

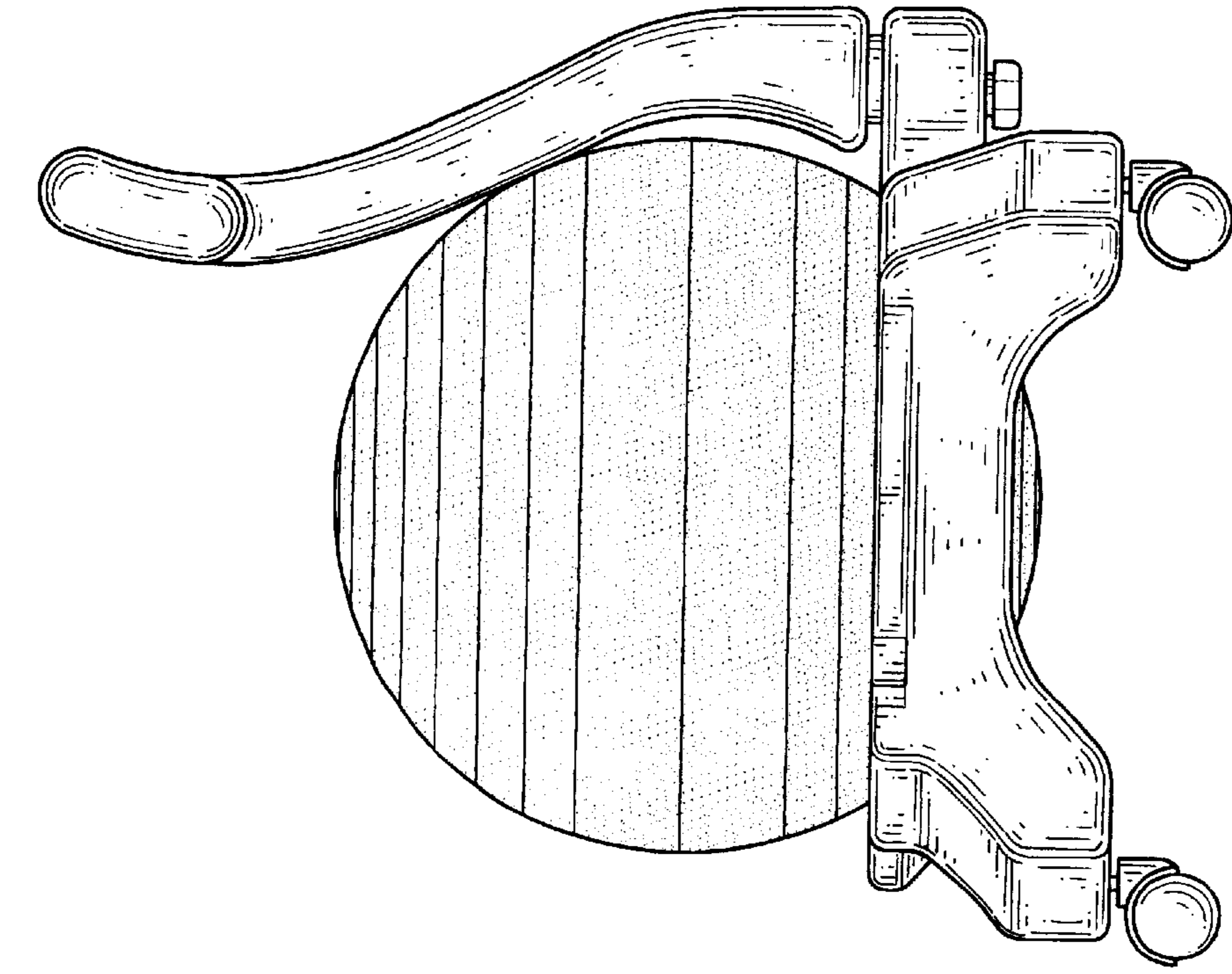


FIG. 4

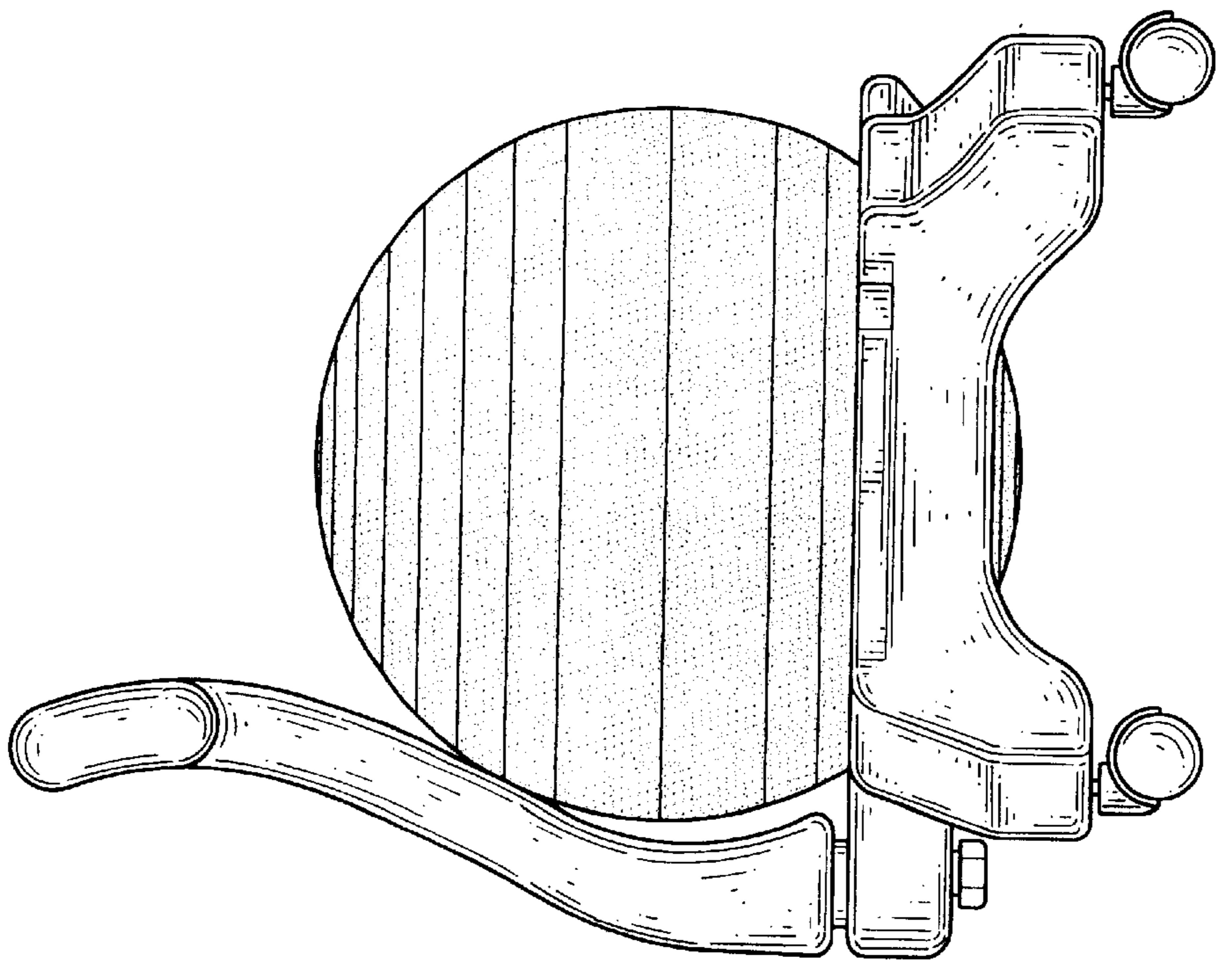


FIG. 5

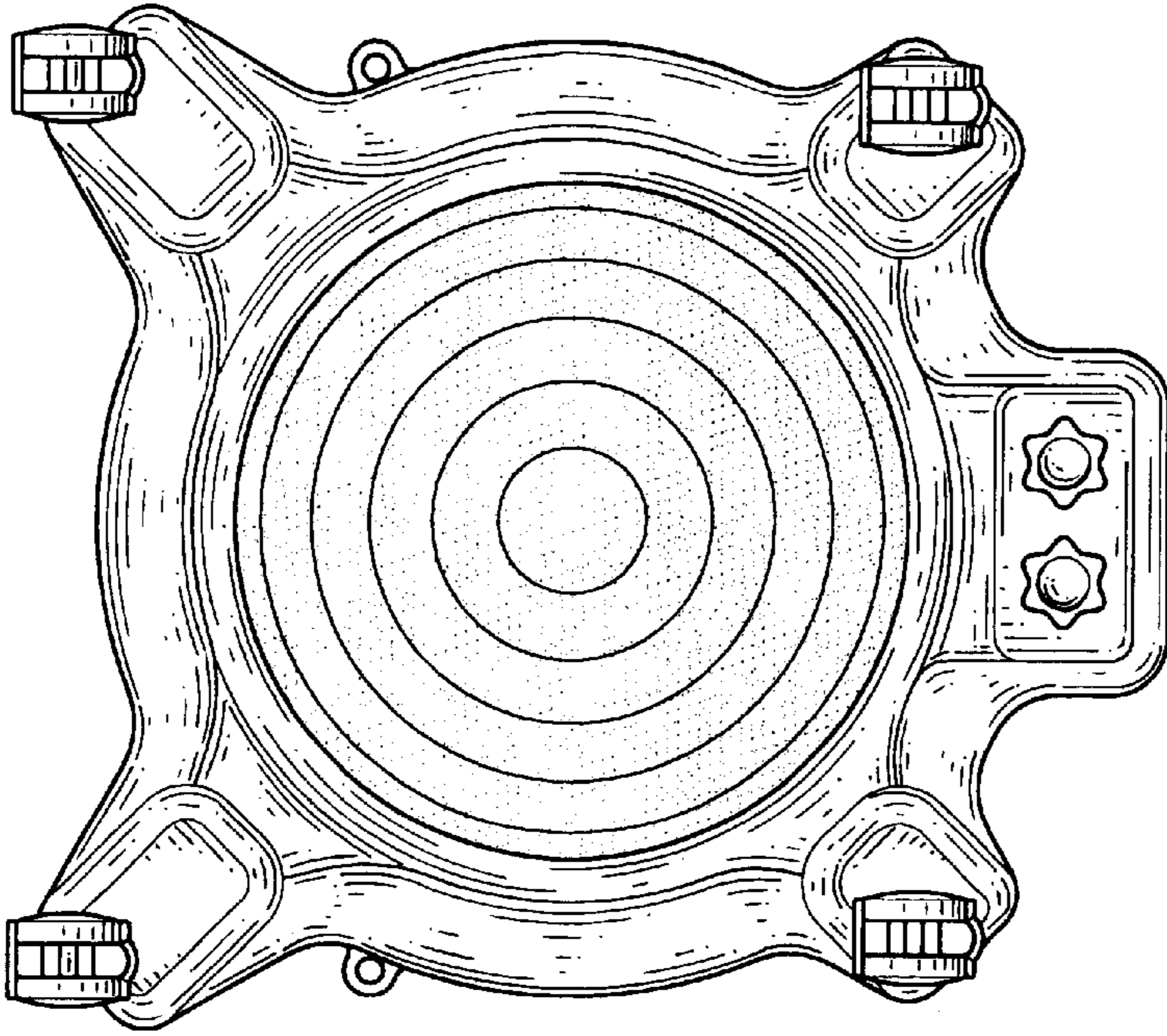


FIG. 6

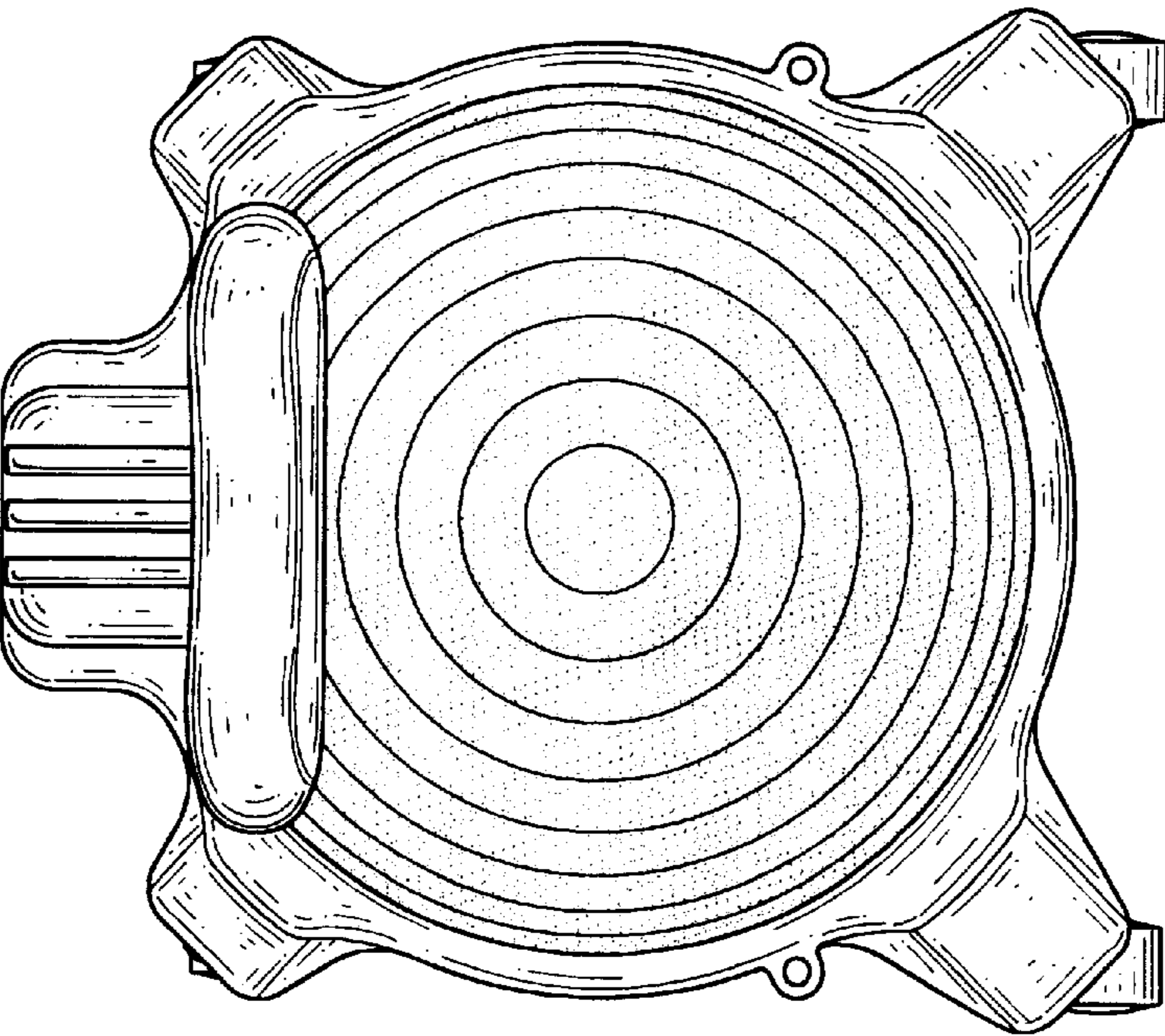


FIG. 7