



US00D471024S

(12) **United States Design Patent**
Chadwick et al.

(10) **Patent No.:** **US D471,024 S**

(45) **Date of Patent:** **** Mar. 4, 2003**

(54) **CHAIR**

(75) Inventors: **Donald T. Chadwick**, Los Angeles, CA
(US); **Francisco Romero**, Venice, CA
(US)

(73) Assignee: **Knoll, Inc.**, East Greenville, PA (US)

(**) Term: **14 Years**

(21) Appl. No.: **29/159,239**

(22) Filed: **Apr. 17, 2002**

(51) **LOC (7) Cl.** **06-01**

(52) **U.S. Cl.** **D6/366**

(58) **Field of Search** D6/334, 364, 365,
D6/366, 367, 500, 501, 502; 297/411.2,
411.27, 411.36

(56) **References Cited**

U.S. PATENT DOCUMENTS

D273,728 S	*	5/1984	Cafiero	D6/366
D346,279 S		4/1994	Stumpf et al.	
D351,069 S		10/1994	Orlandini et al.	
D351,510 S		10/1994	Lucci et al.	
D352,181 S		11/1994	Ivicevi	
D354,631 S		1/1995	Orlandini et al.	
5,382,079 A	*	1/1995	Wilson et al.	297/411.36
D355,080 S		2/1995	Lucci et al.	
D377,431 S		1/1997	Stumpf et al.	
D386,023 S		11/1997	Stumpf et al.	
D417,792 S	*	12/1999	Hansen et al.	D6/366
D420,523 S		2/2000	Stumpf et al.	
D423,241 S		4/2000	Magnusson et al.	
D423,259 S	*	4/2000	Grove	D6/500
D430,973 S		9/2000	Frankel et al.	
D431,400 S	*	10/2000	Grove	D6/500
D436,259 S	*	1/2001	Nagamitsu	D6/366
D436,260 S	*	1/2001	Nagamitsu	D6/366

D440,419 S	*	4/2001	Röder	D6/366
D442,791 S	*	5/2001	Simons, Jr. et al.	D6/366
D444,638 S		7/2001	Magnusson et al.	
D445,580 S		7/2001	Pennington et al.	
D445,613 S	*	7/2001	Ginat	D6/500
D446,397 S		8/2001	Pennington et al.	
D449,174 S	*	10/2001	Neil	D6/366
D451,293 S	*	12/2001	Su	D6/366
D452,396 S	*	12/2001	Brown	D6/502
D453,079 S	*	1/2002	Ma	D6/366
D456,626 S	*	5/2002	Su	D6/366

* cited by examiner

Primary Examiner—Gary D. Watson

(74) *Attorney, Agent, or Firm*—Buchanan Ingersoll, P.C.

(57) **CLAIM**

The ornamental design for a chair, as shown and described.

DESCRIPTION

FIG. 1 is a perspective view of a chair having arms showing our new design;

FIG. 2 is a front elevational view thereof;

FIG. 3 is a rear elevational view thereof;

FIG. 4 is a left side elevational view thereof;

FIG. 5 is a right side elevational view thereof;

FIG. 6 is a top plan view thereof;

FIG. 7 is a bottom plan view thereof;

FIG. 8 is a perspective view of an alternate embodiment of a chair without arms showing our new design;

FIG. 9 is a front elevational view thereof;

FIG. 10 is a rear elevational view thereof;

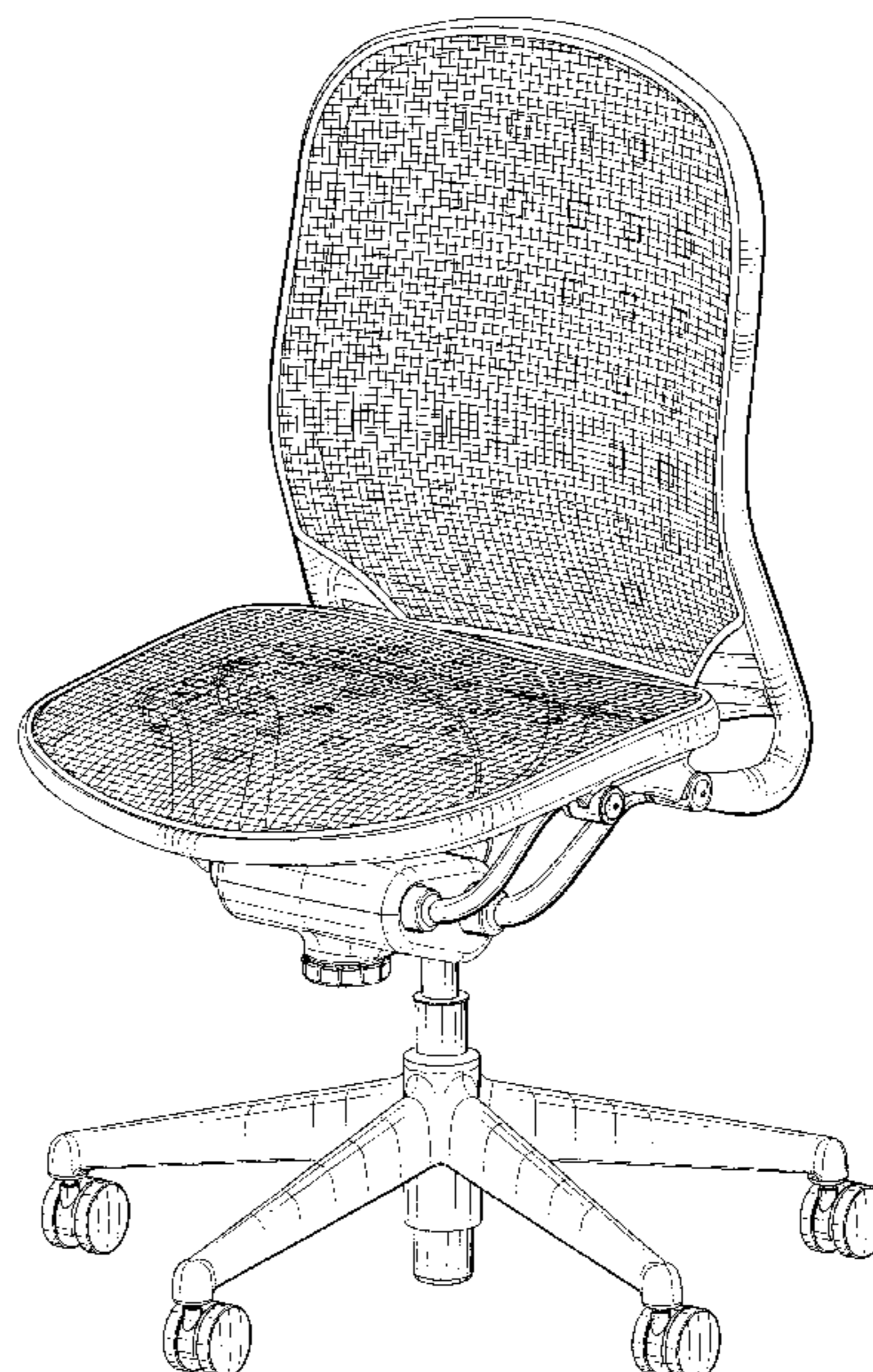
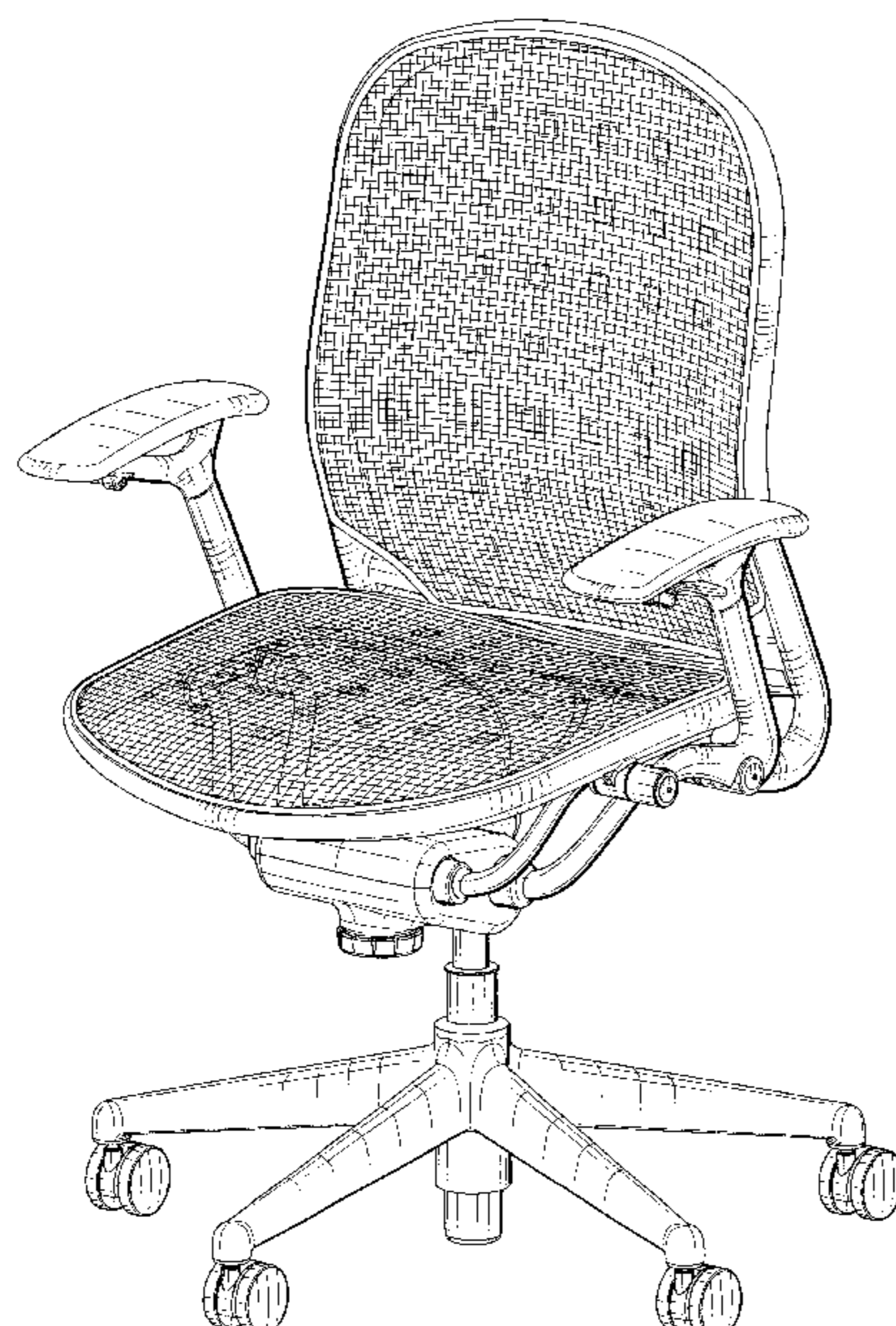
FIG. 11 is a left side elevational view thereof;

FIG. 12 is a right side elevational view thereof;

FIG. 13 is a top plan view thereof; and,

FIG. 14 is a bottom plan view thereof.

1 Claim, 14 Drawing Sheets



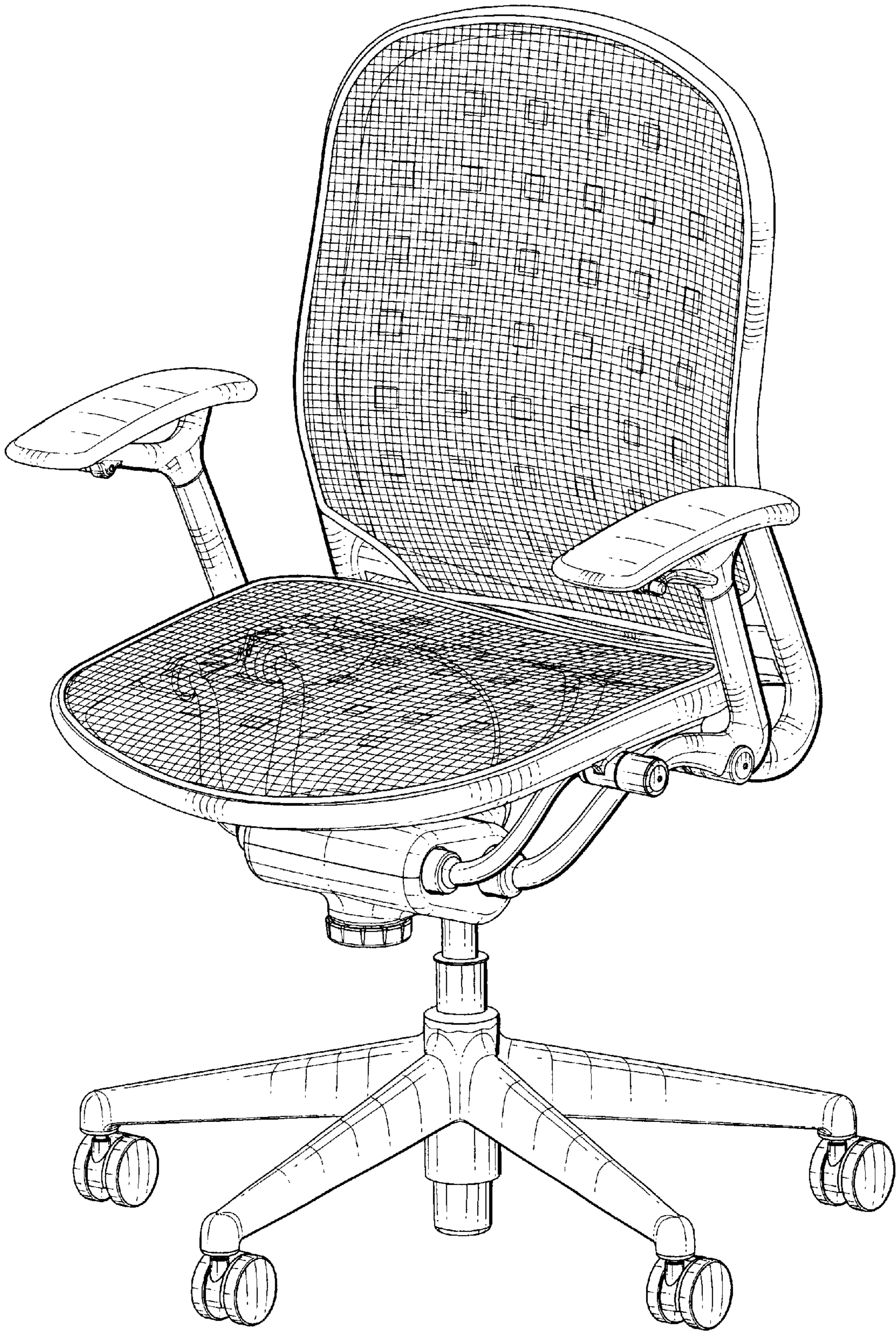


FIG. 1

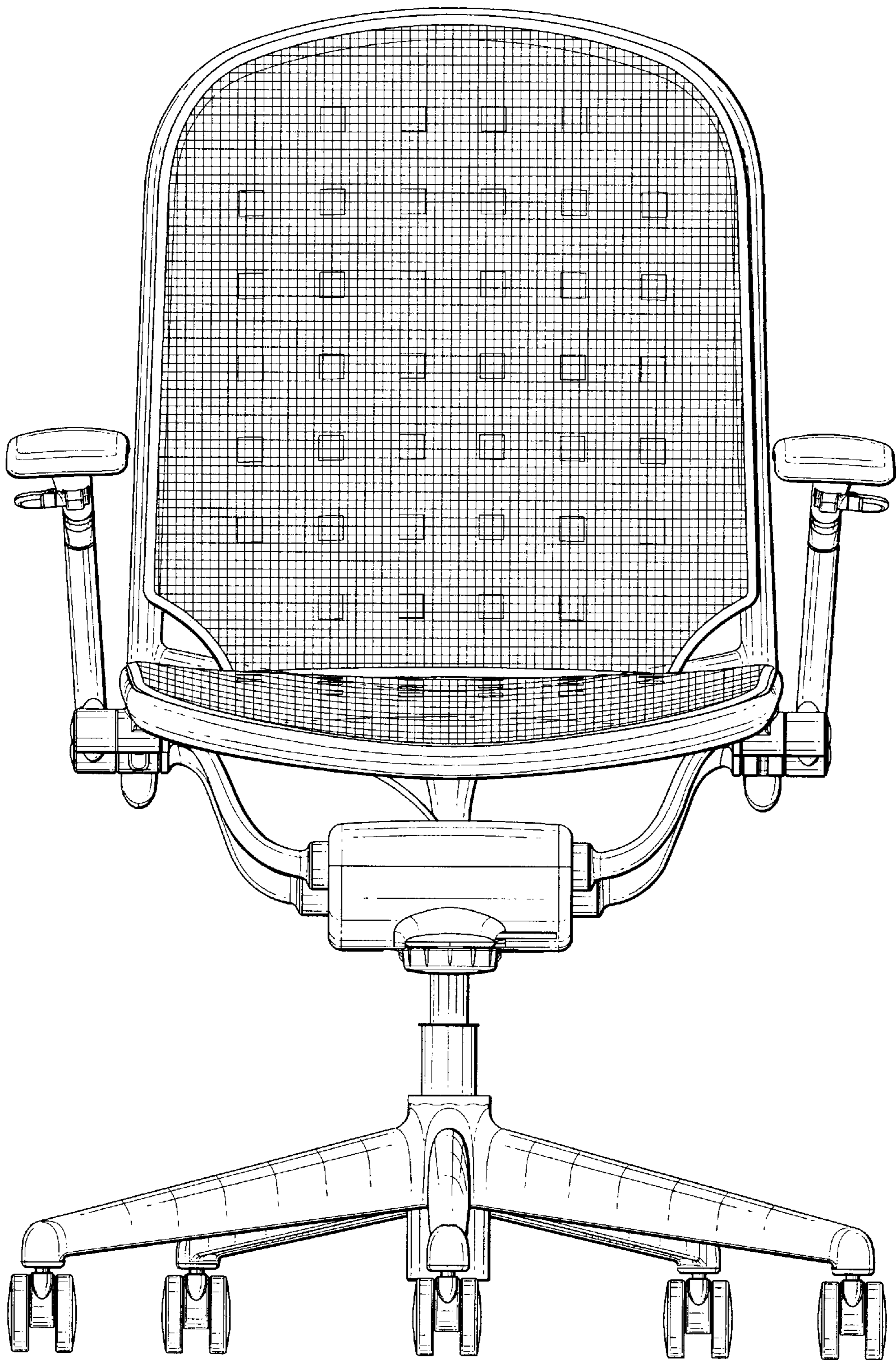


FIG. 2

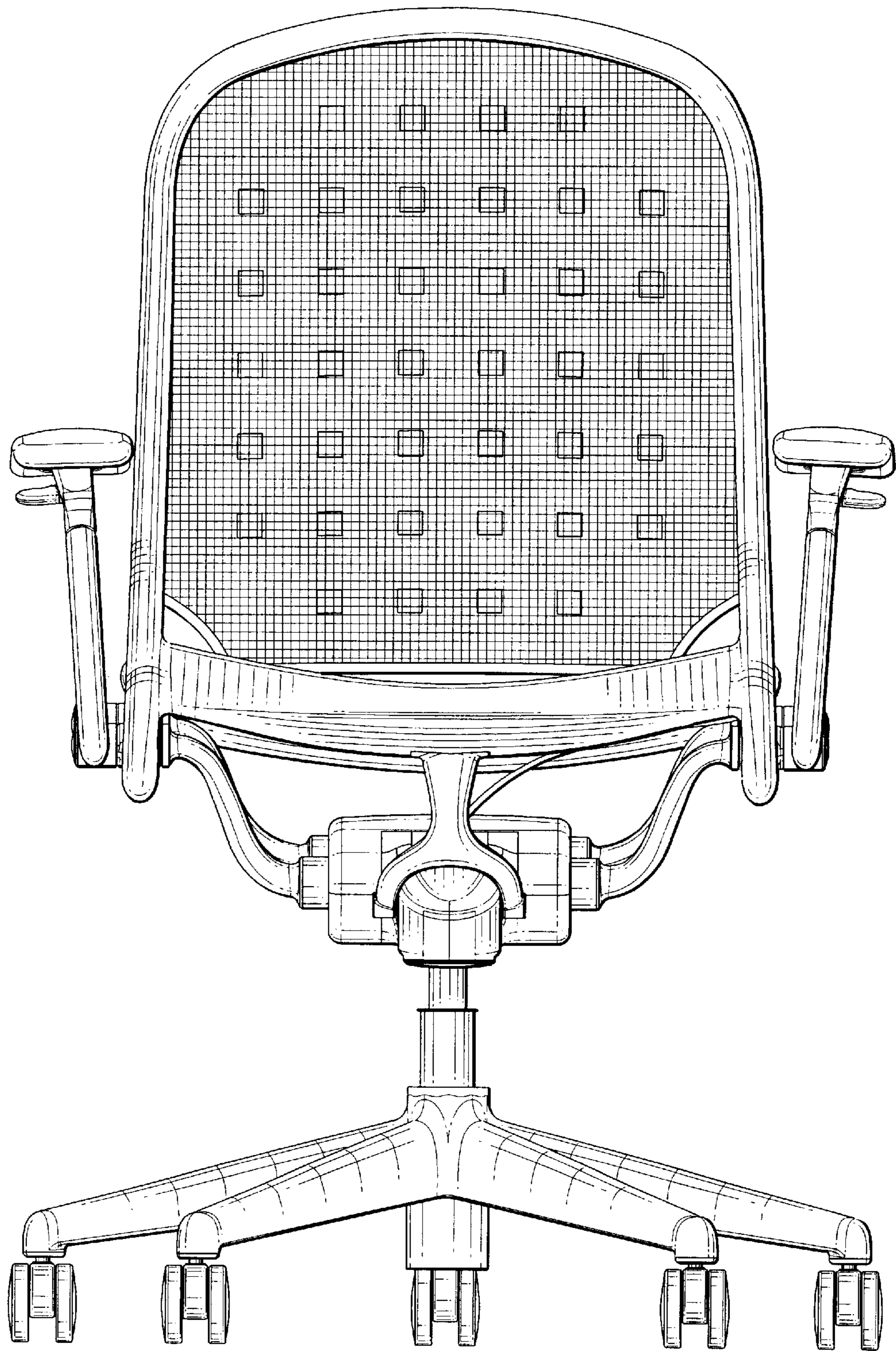


FIG. 3

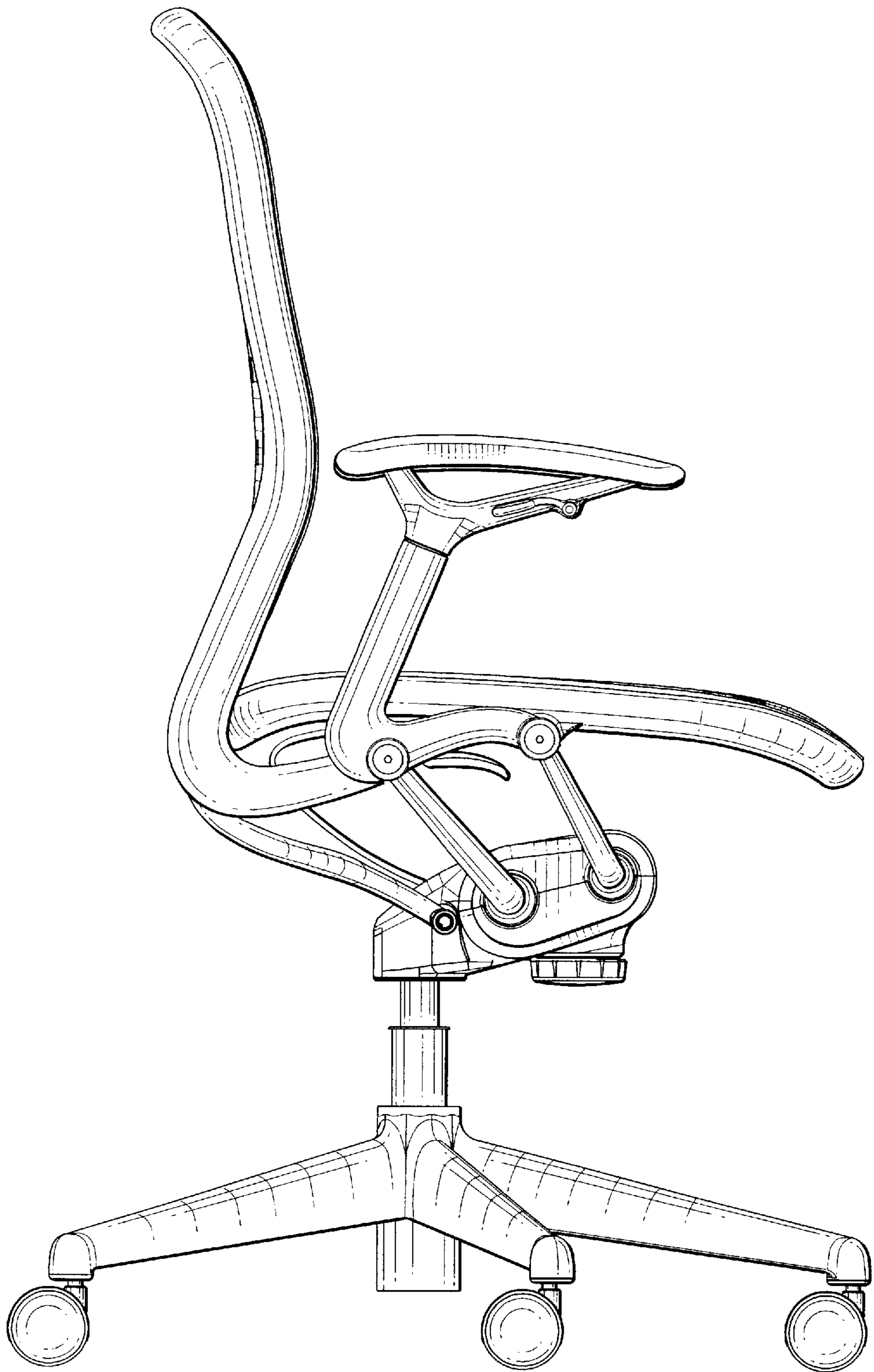


FIG. 4

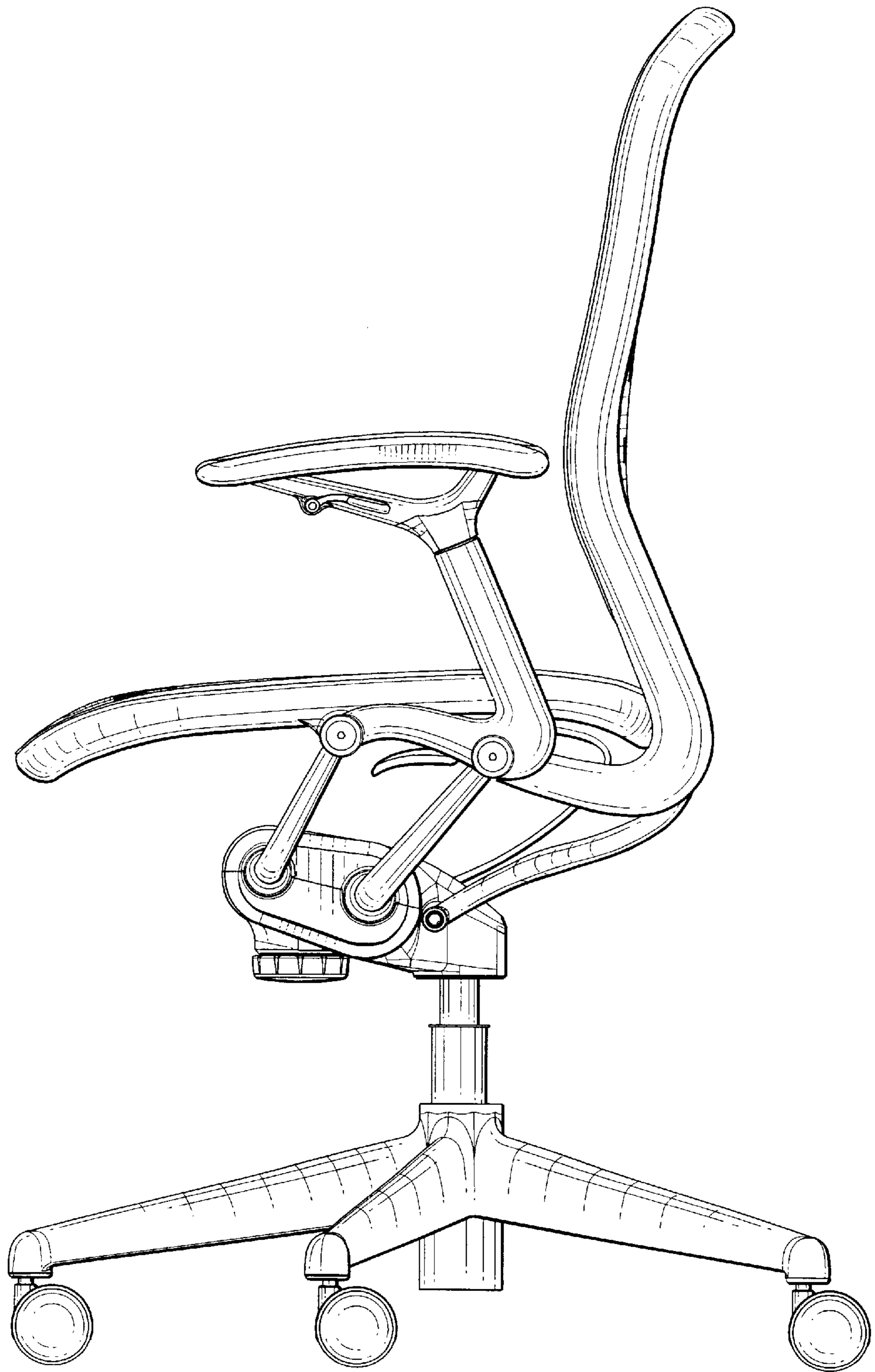


FIG. 5

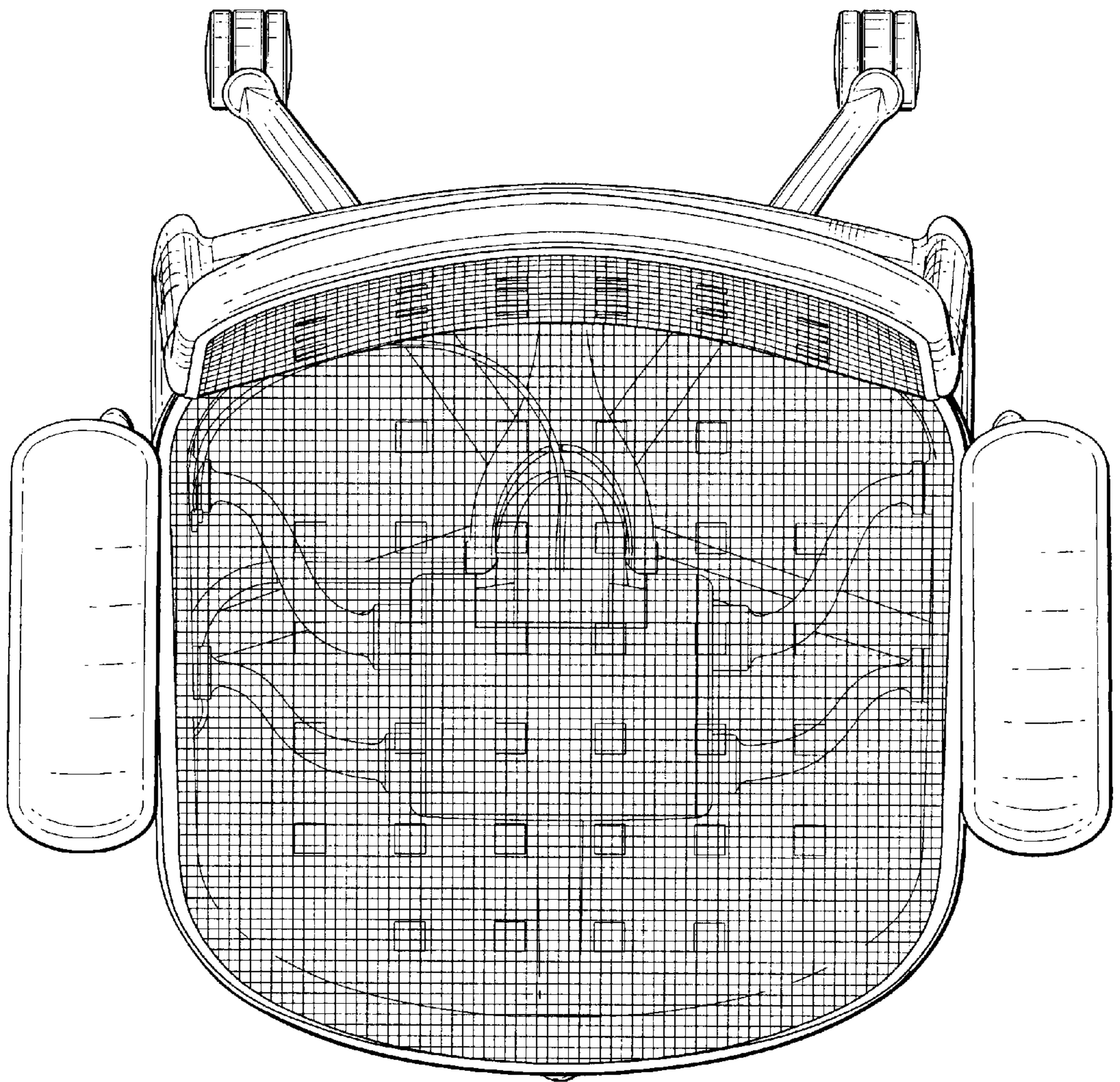


FIG. 6

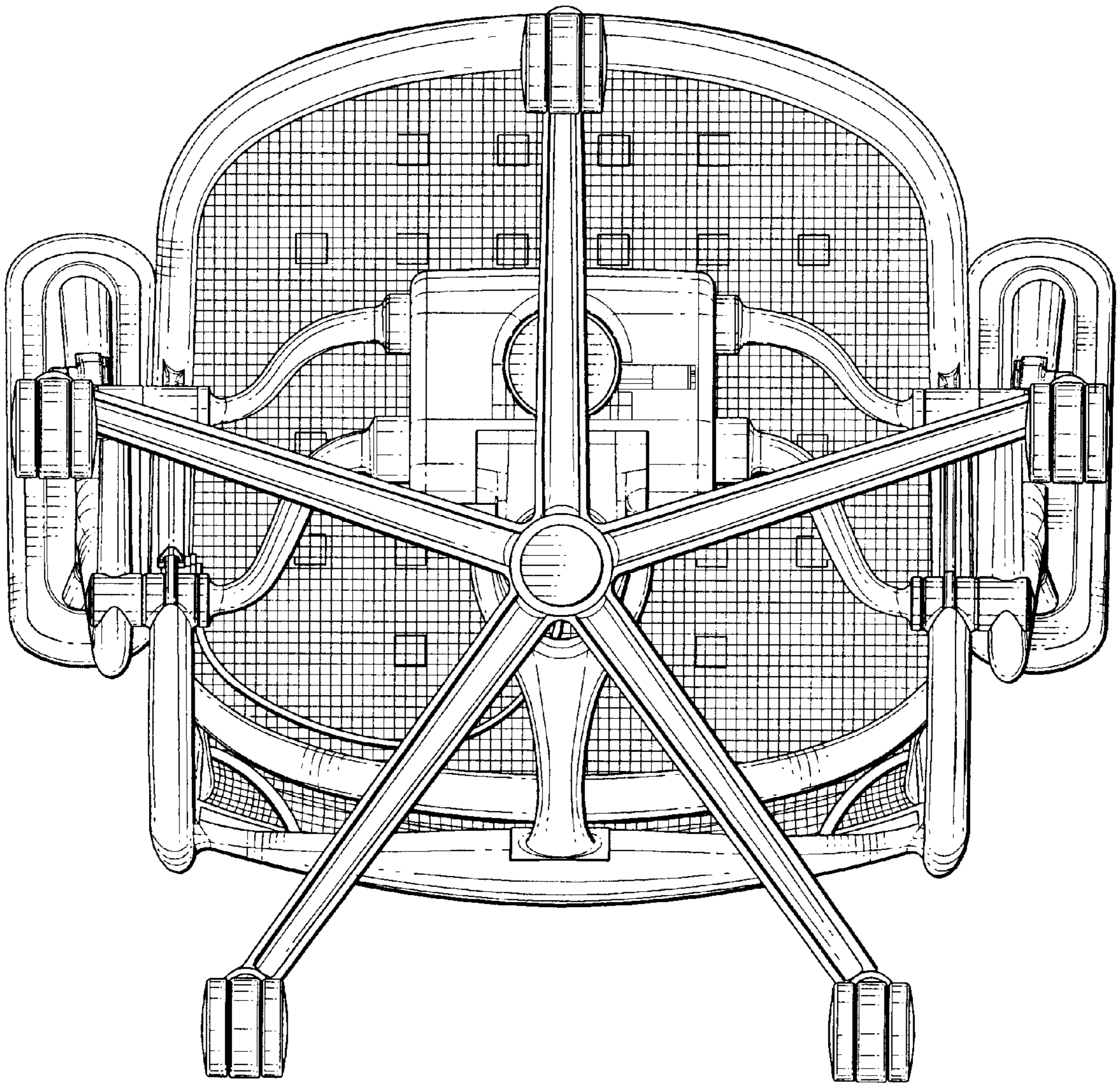


FIG. 7

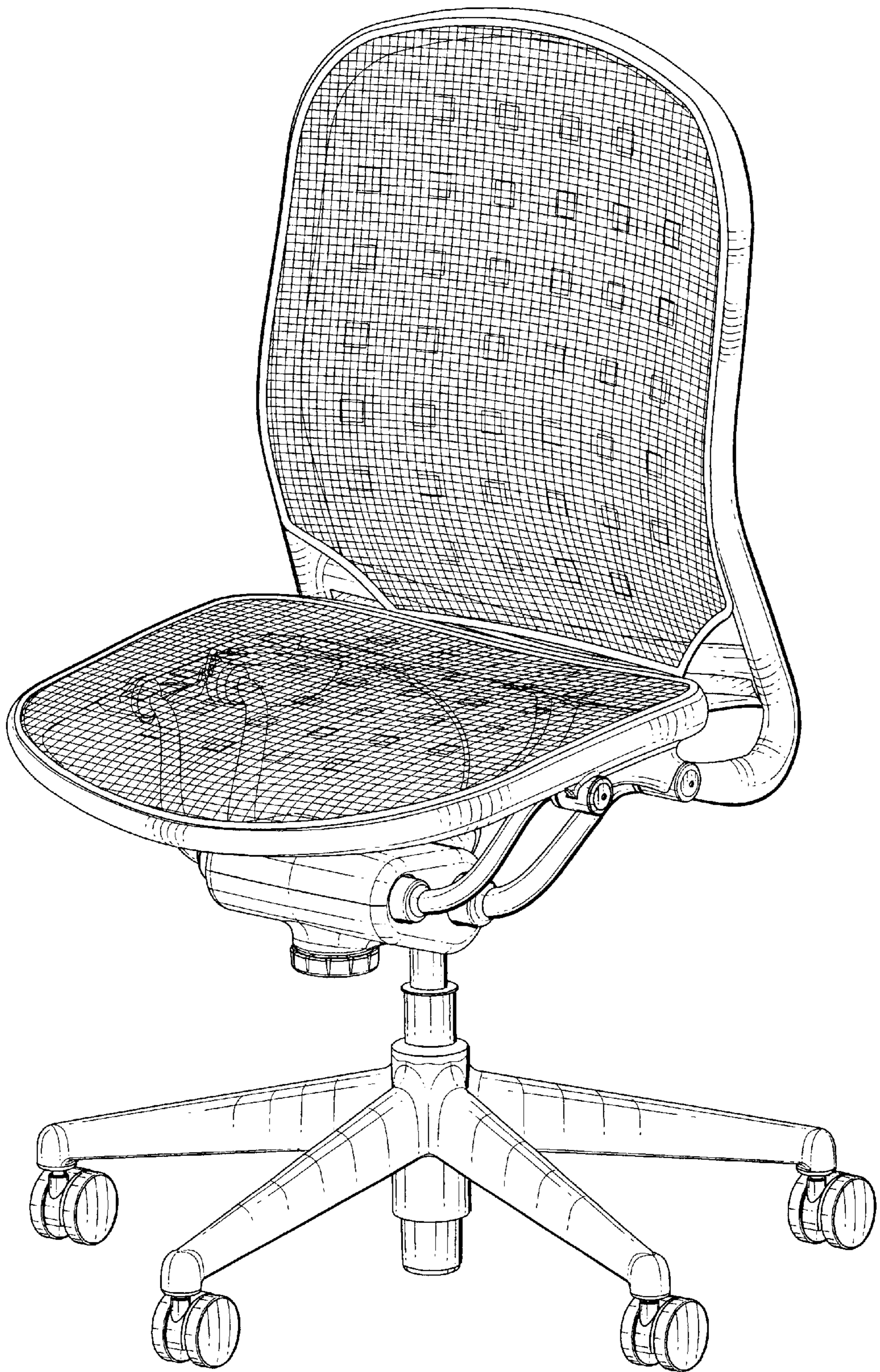


FIG. 8

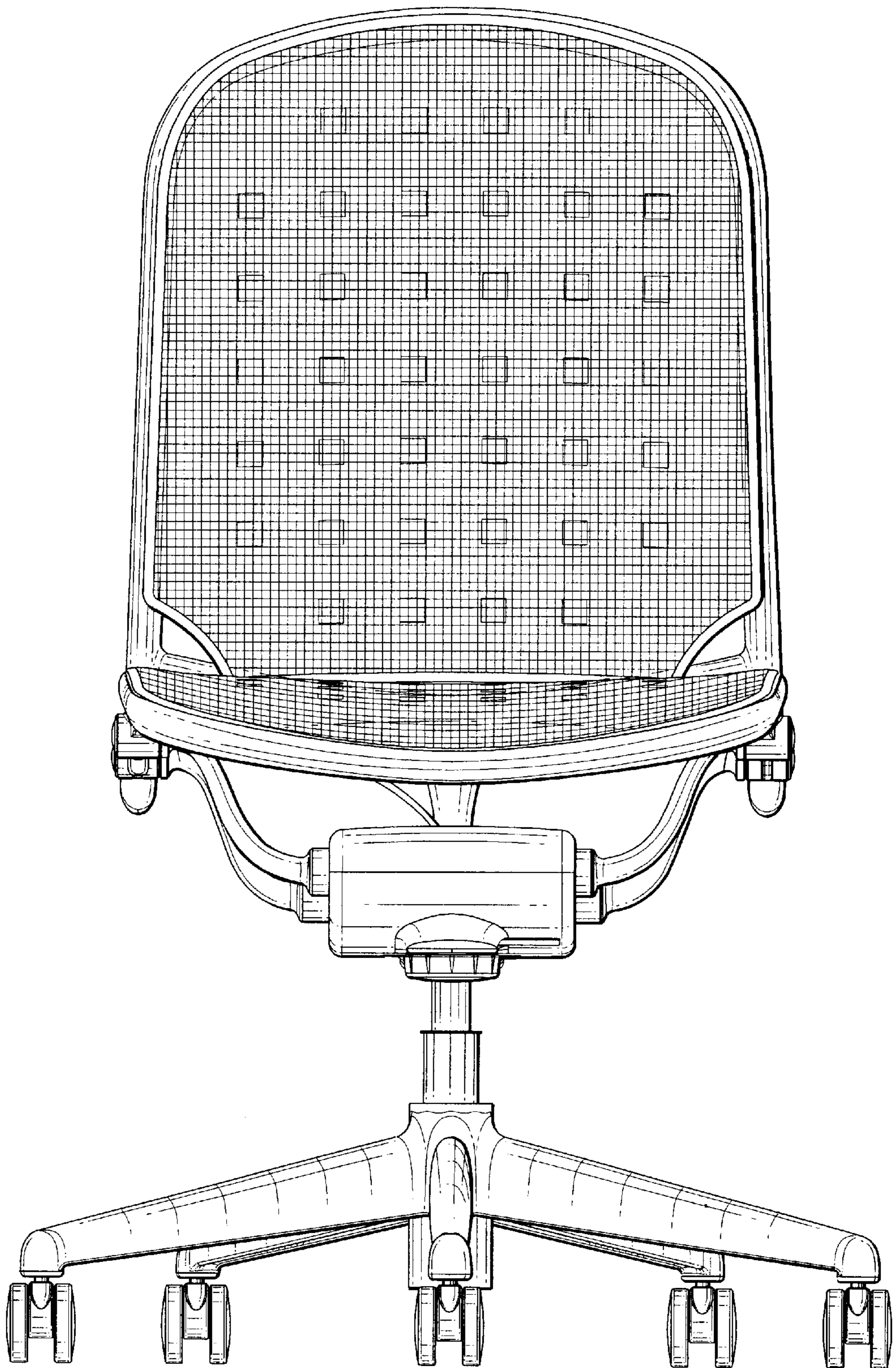


FIG. 9

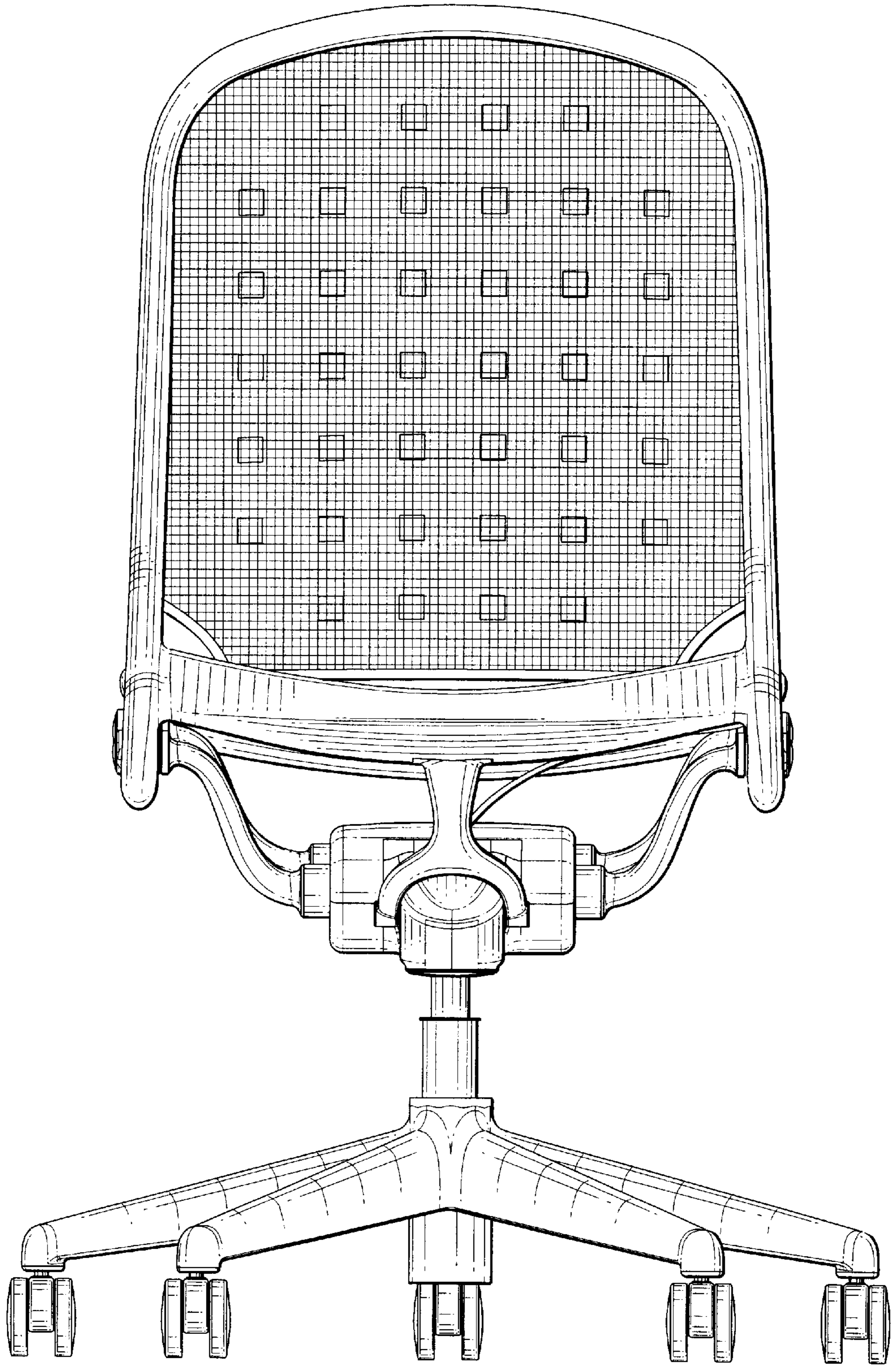


FIG. 10

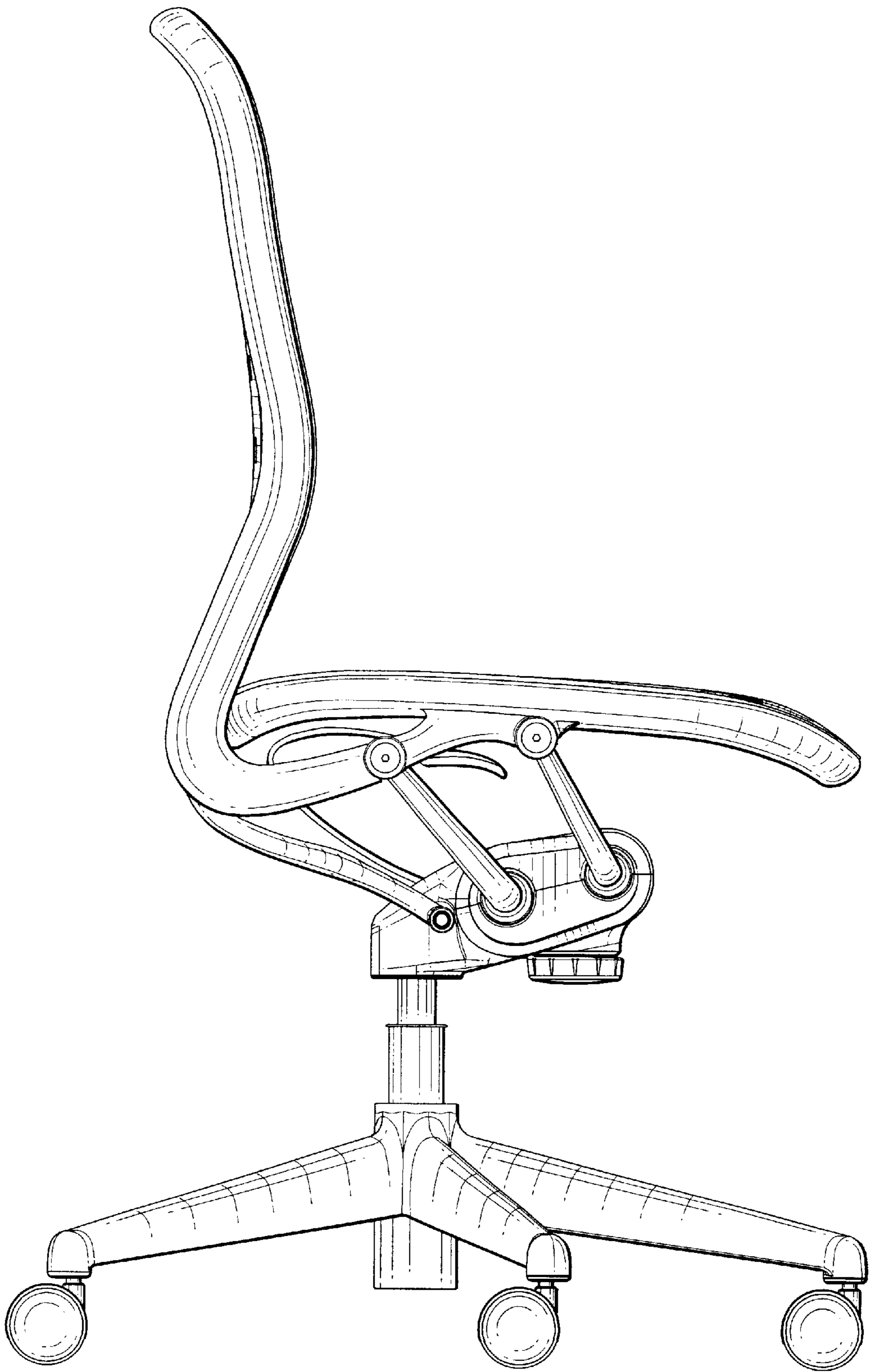


FIG. 11

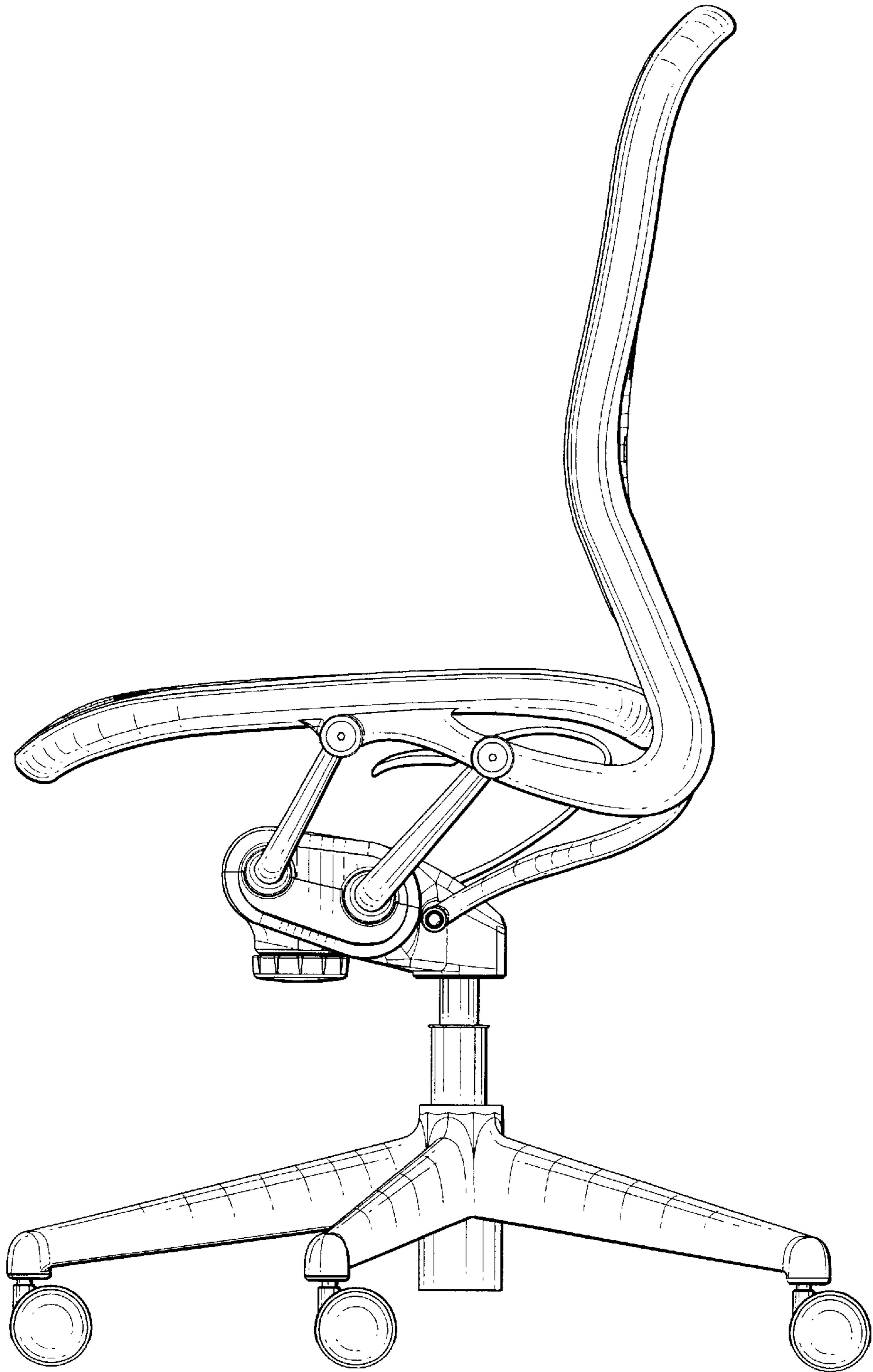


FIG. 12

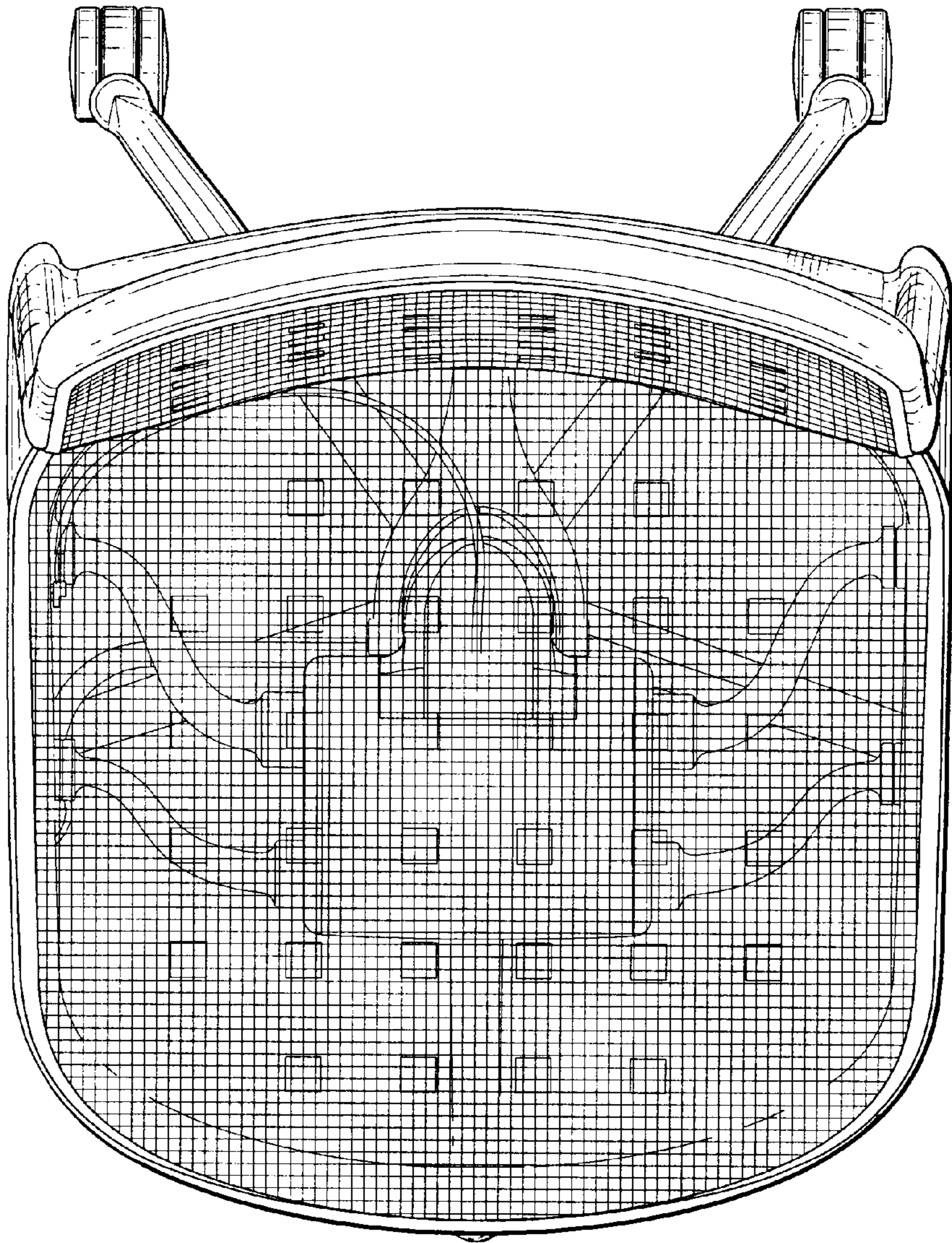


FIG. 13

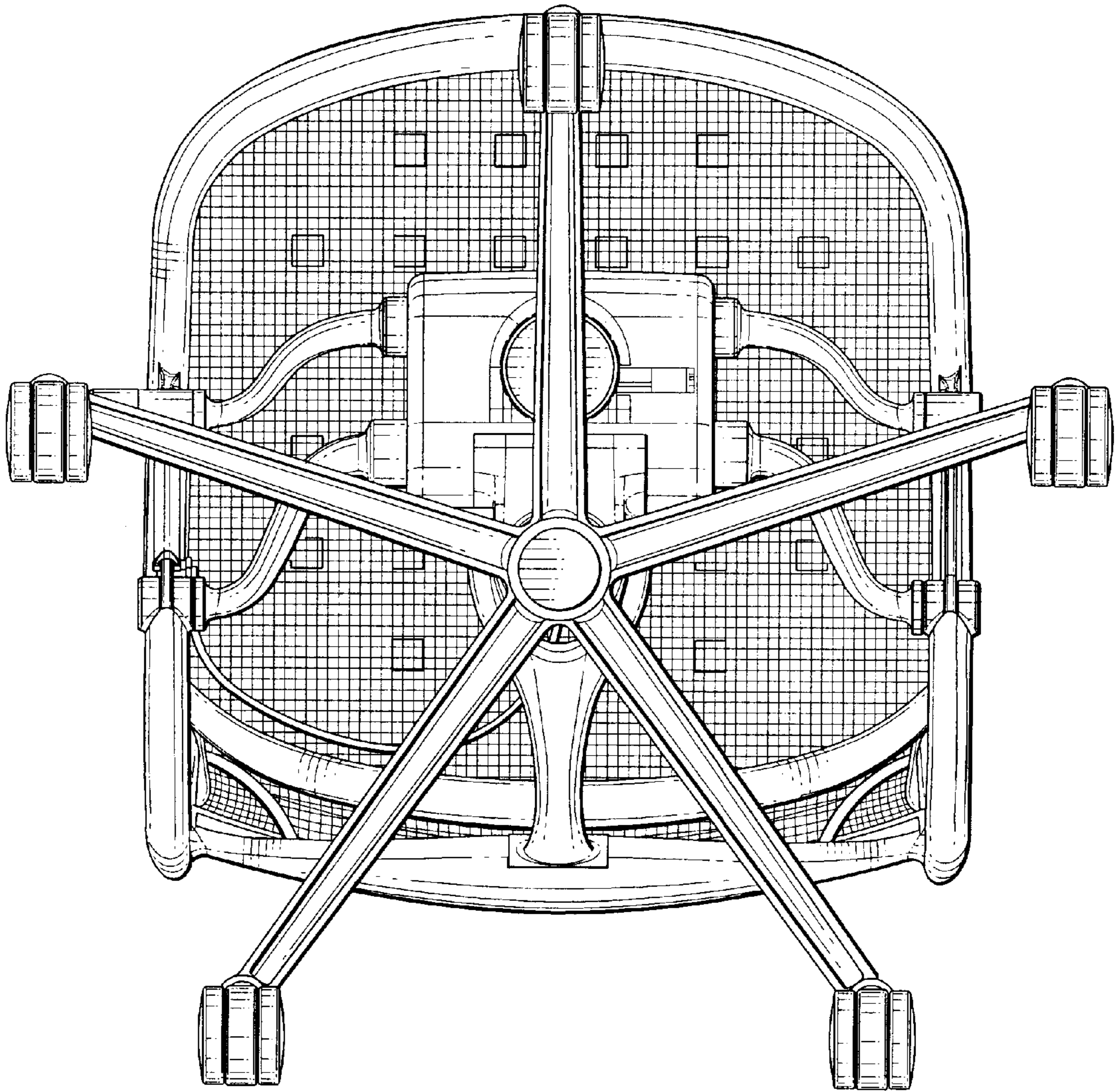


FIG. 14