



US00D471015S

(12) **United States Design Patent**
Lacy et al.

(10) **Patent No.: US D471,015 S**

(45) **Date of Patent: ** *Mar. 4, 2003**

(54) **WOODEN BASKET**

3,344,970 A * 10/1967 Brandes 229/4.5

D426,956 S * 6/2000 Lacy et al. D3/306

D425,897 S * 1/2001 Lacy et al. D3/277

(75) Inventors: **Sun Lacy**, Newark, OH (US); **Leane M. Lefever**, Frazzysburg, OH (US); **Tony Bible**, Warsaw, OH (US); **Jerry Williamson**, Coshocton, OH (US); **Todd Miller**, Nashport, OH (US); **Harold Angles**, Dresden, OH (US); **Vicki Lahna**, Coshocton, OH (US); **Rob House**, Dresden, OH (US)

OTHER PUBLICATIONS

Longaberger Catalog p. 6 basket item I Sept. 1988.*

* cited by examiner

Primary Examiner—Louis S. Zarfes

Assistant Examiner—Deanne Levy

(73) Assignee: **The Longaberger Company**, Newark, OH (US)

(74) *Attorney, Agent, or Firm*—Porter Wright Morris & Arthur LLP

(*) Notice: This patent is subject to a terminal disclaimer.

(57) **CLAIM**

The ornamental design of wooden basket, as shown and described.

(**) Term: **14 Years**

DESCRIPTION

(21) Appl. No.: **29/123,193**

FIG. 1 is a perspective view of the wooden basket showing our new design;

(22) Filed: **May 12, 2000**

FIG. 2 is a front view thereof;

Related U.S. Application Data

FIG. 3 is a right side view thereof;

(63) Continuation-in-part of application No. 29/104,554, filed on May 7, 1999, now Pat. No. Des. 426,956.

FIG. 4 is a rear view thereof;

(51) **LOC (7) Cl.** **03-01**

FIG. 5 is a left side view thereof;

(52) **U.S. Cl.** **D3/307**

FIG. 6 is a top view thereof;

(58) **Field of Search** 217/122, 125;
D3/306, 307, 308, 309, 277, 304, 312;
220/676

FIG. 7 is a bottom view thereof;

(56) **References Cited**

FIG. 8 is a perspective view of another embodiment of our design, having an appearance identical to that of the first embodiment except that the braided surface ornamentation on the top rim is continuous around the top rim; and,

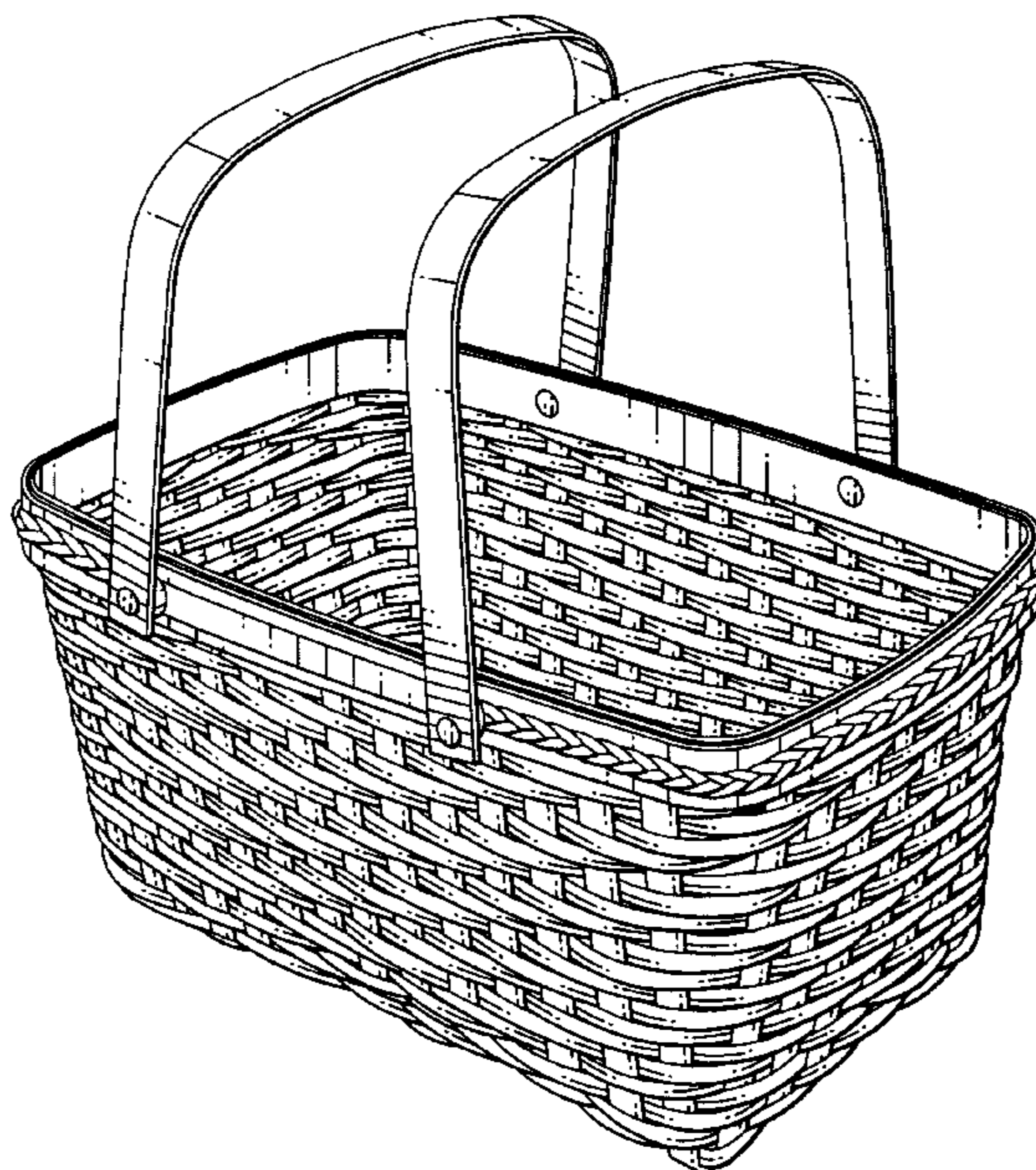
U.S. PATENT DOCUMENTS

FIG. 9 is a perspective view of another embodiment of our design, having an appearance identical to that of the first embodiment except for the absence of braided surface ornamentation on the top rim.

D57,535 S * 4/1921 Loewenberg D3/306

1,453,935 A * 5/1923 Goodrich 217/122

1 Claim, 9 Drawing Sheets



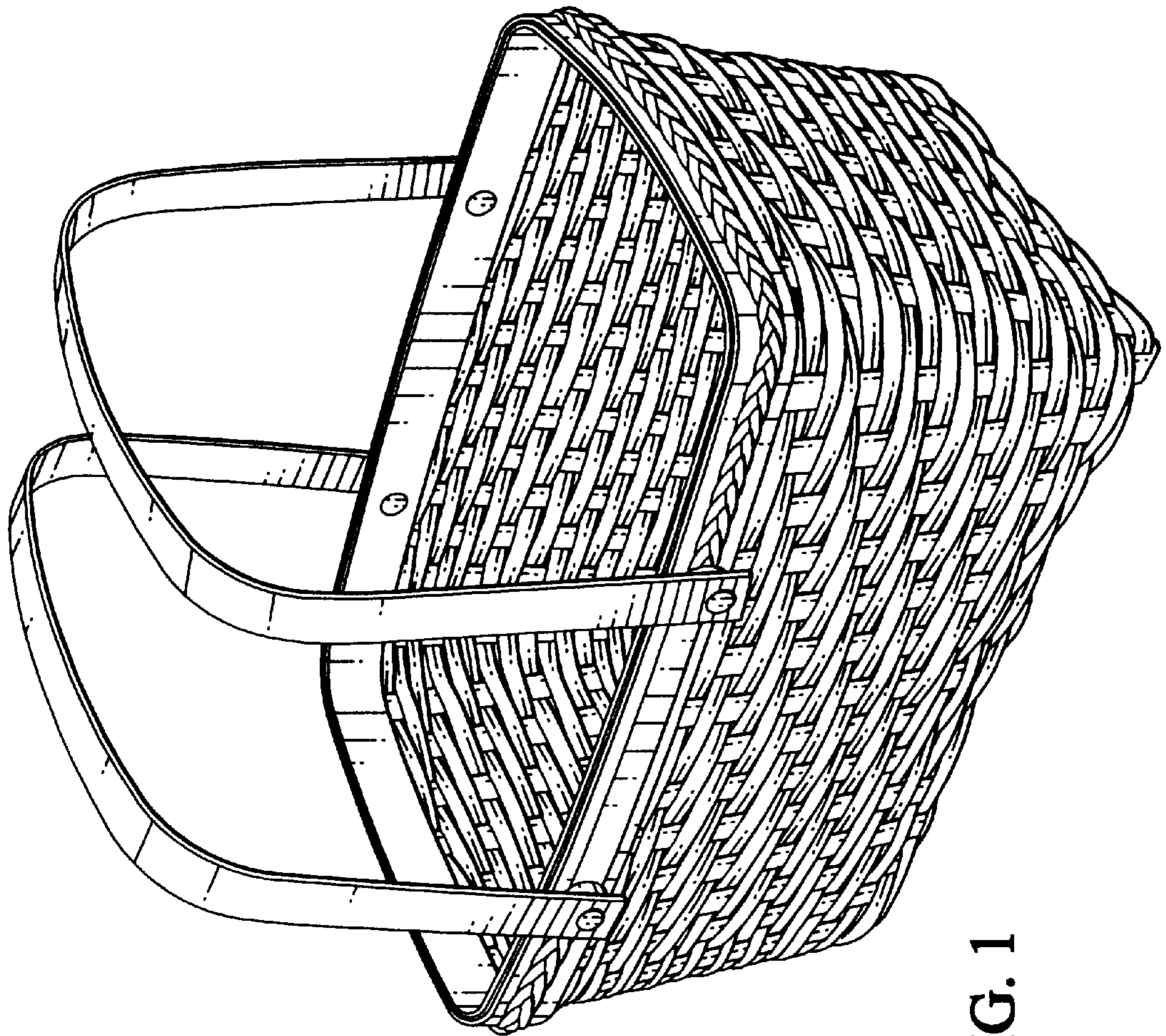


FIG. 1

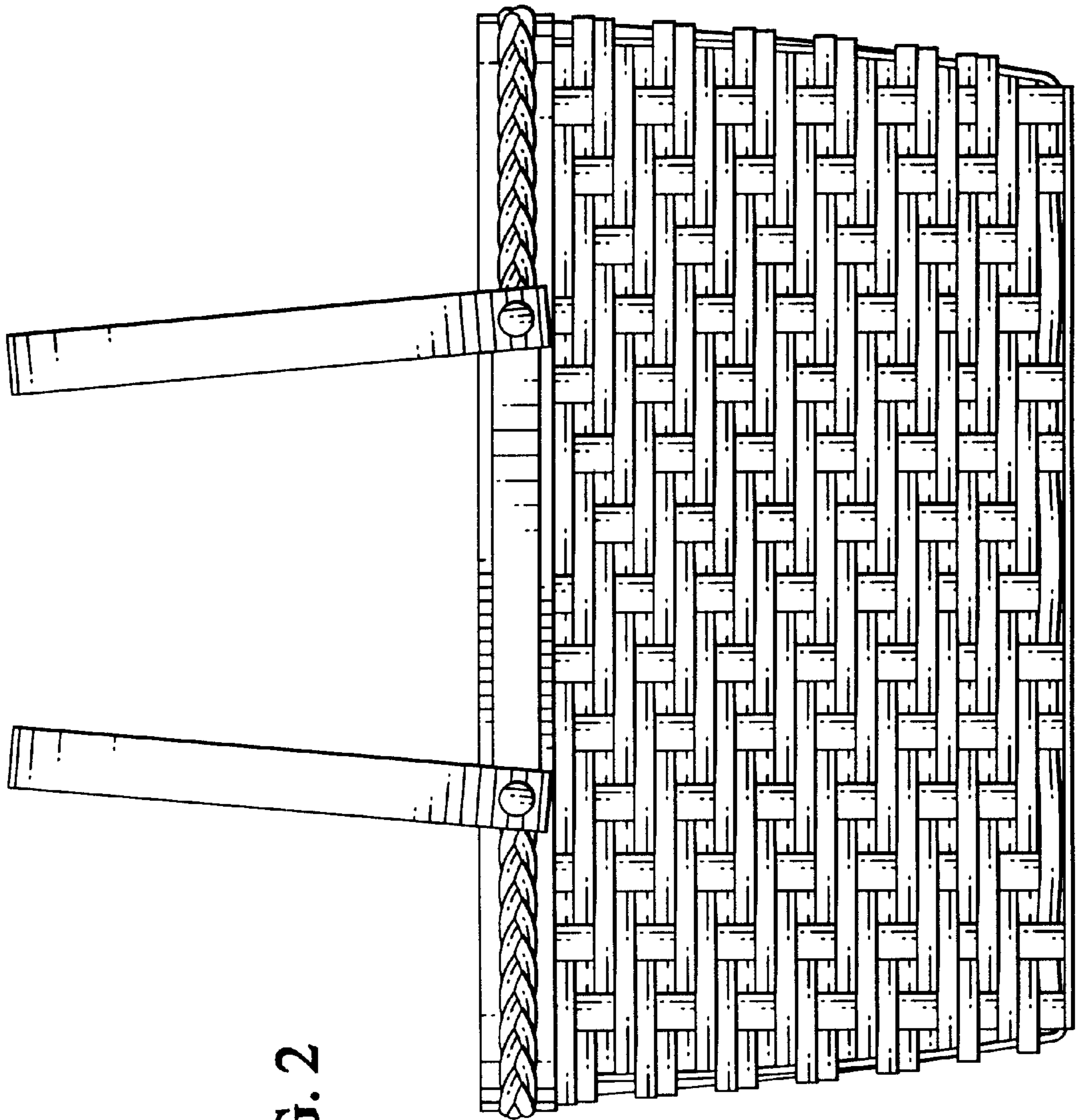


FIG. 2

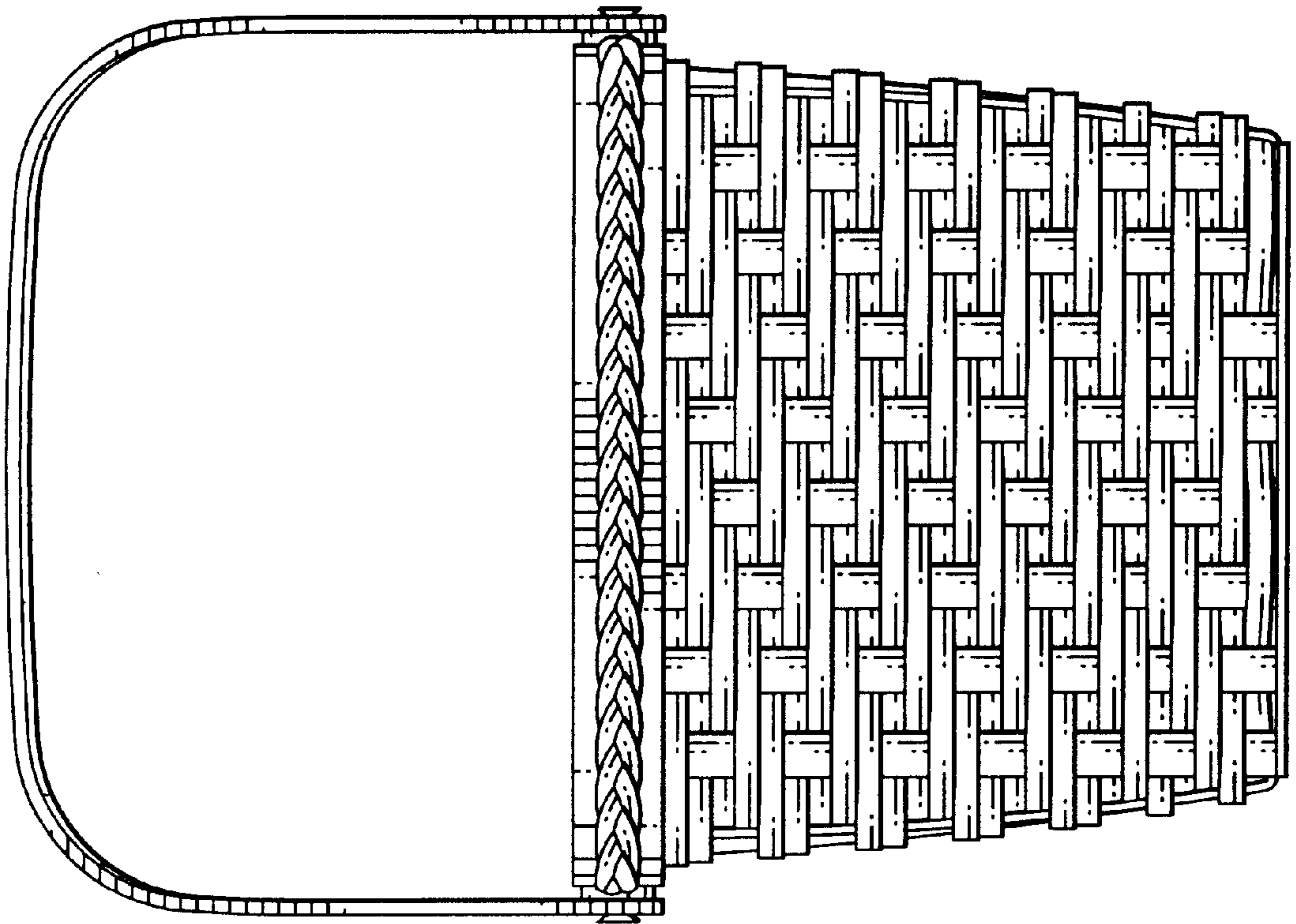


FIG. 3

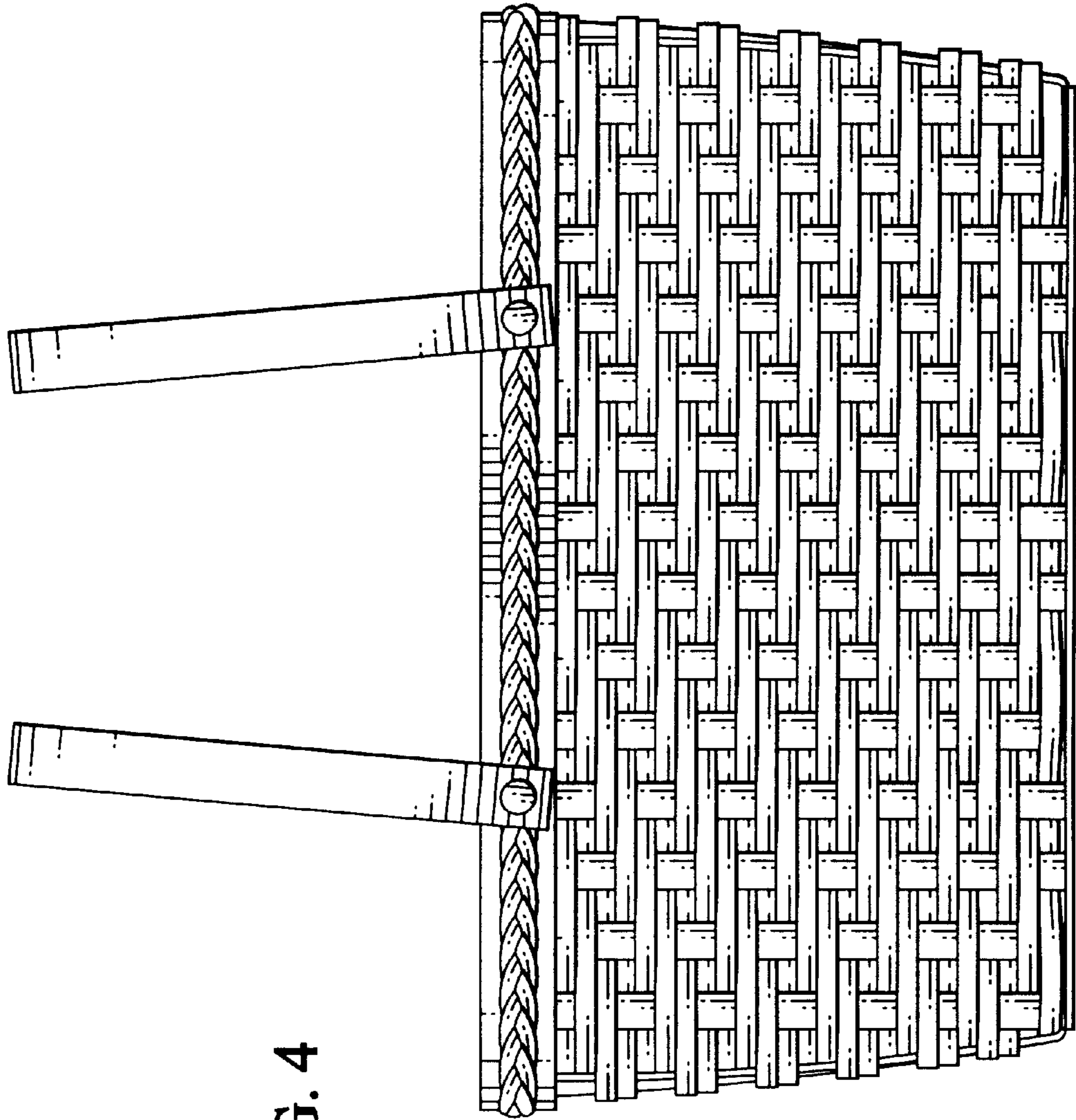


FIG. 4

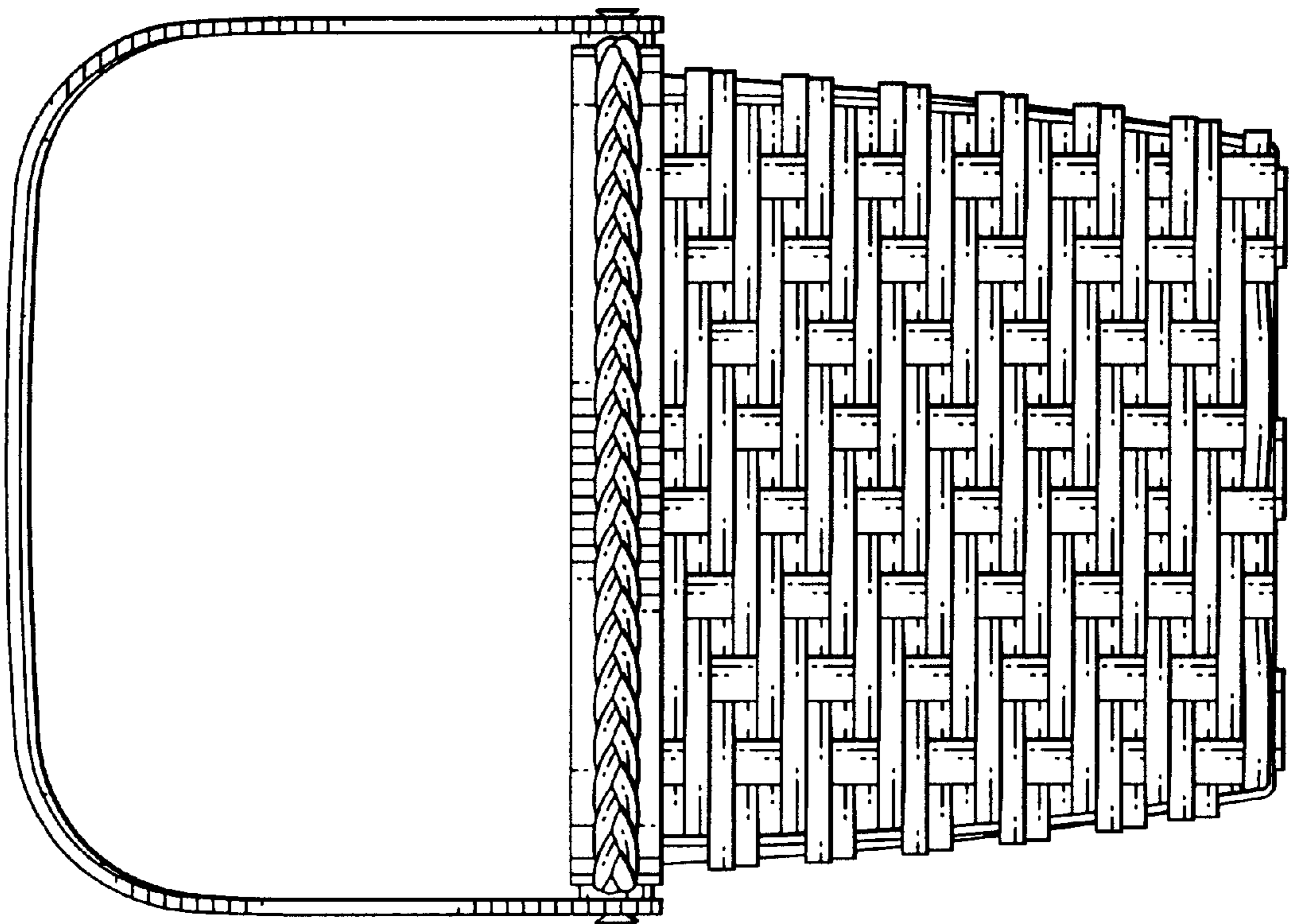


FIG. 5

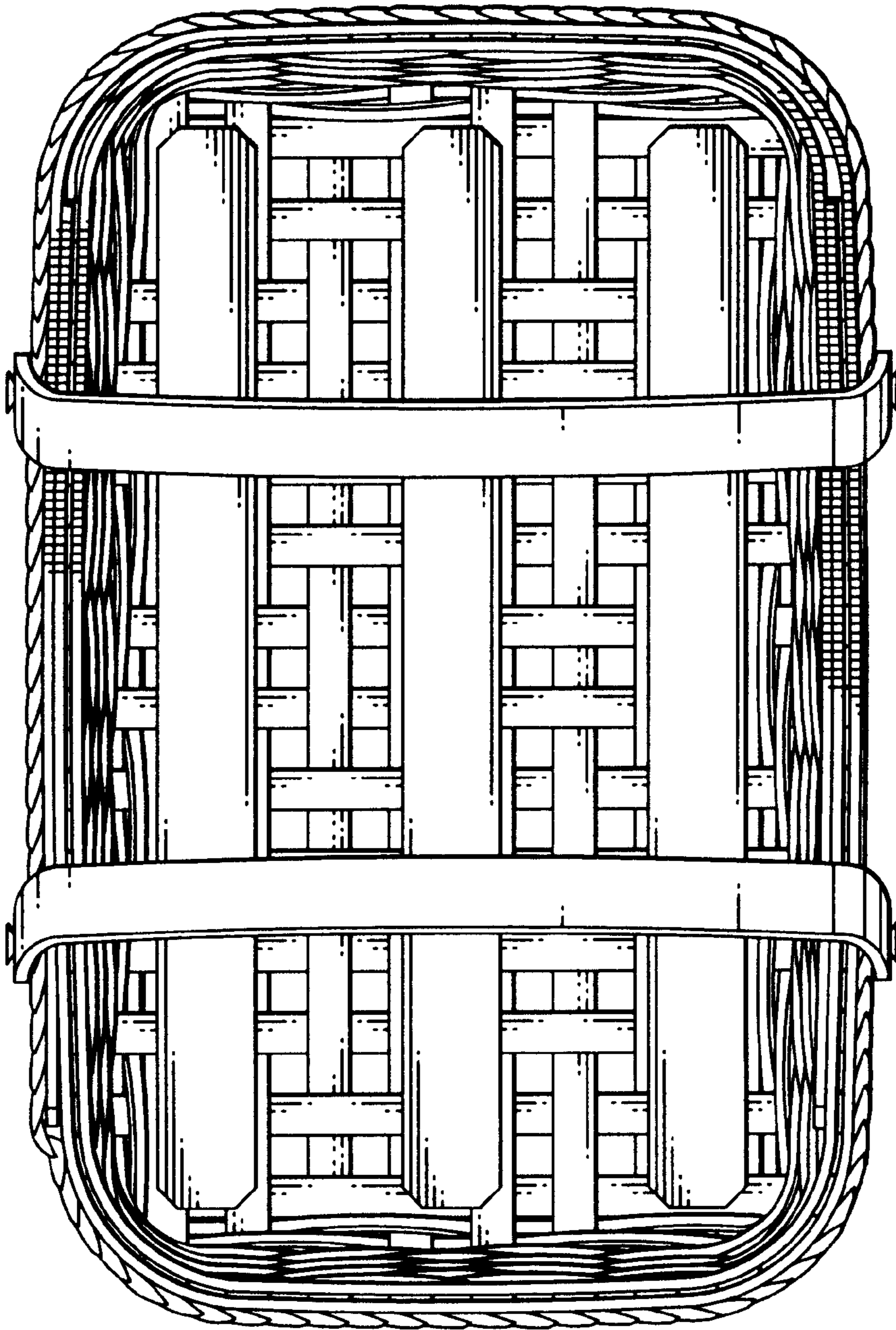


FIG. 6

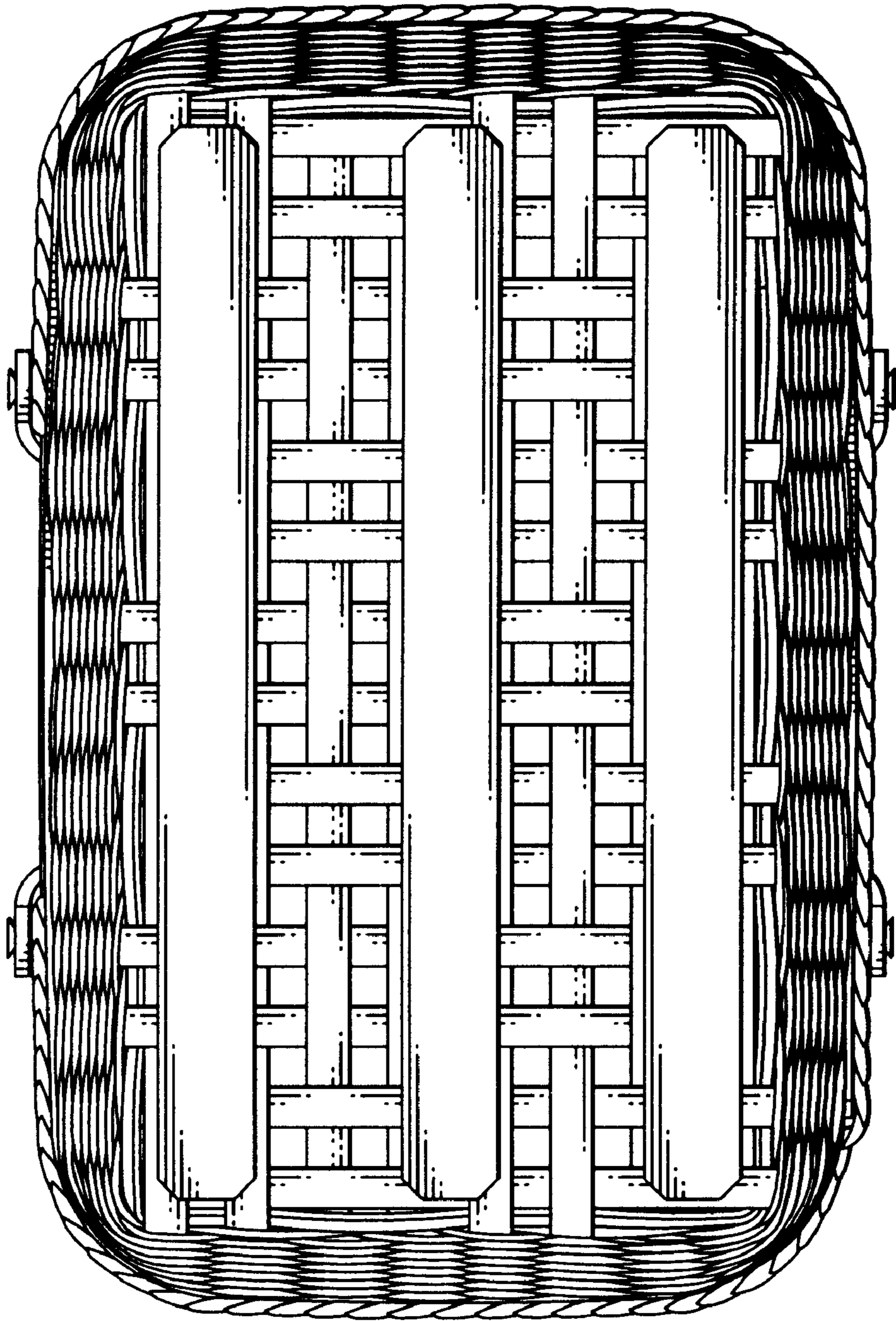


FIG. 7

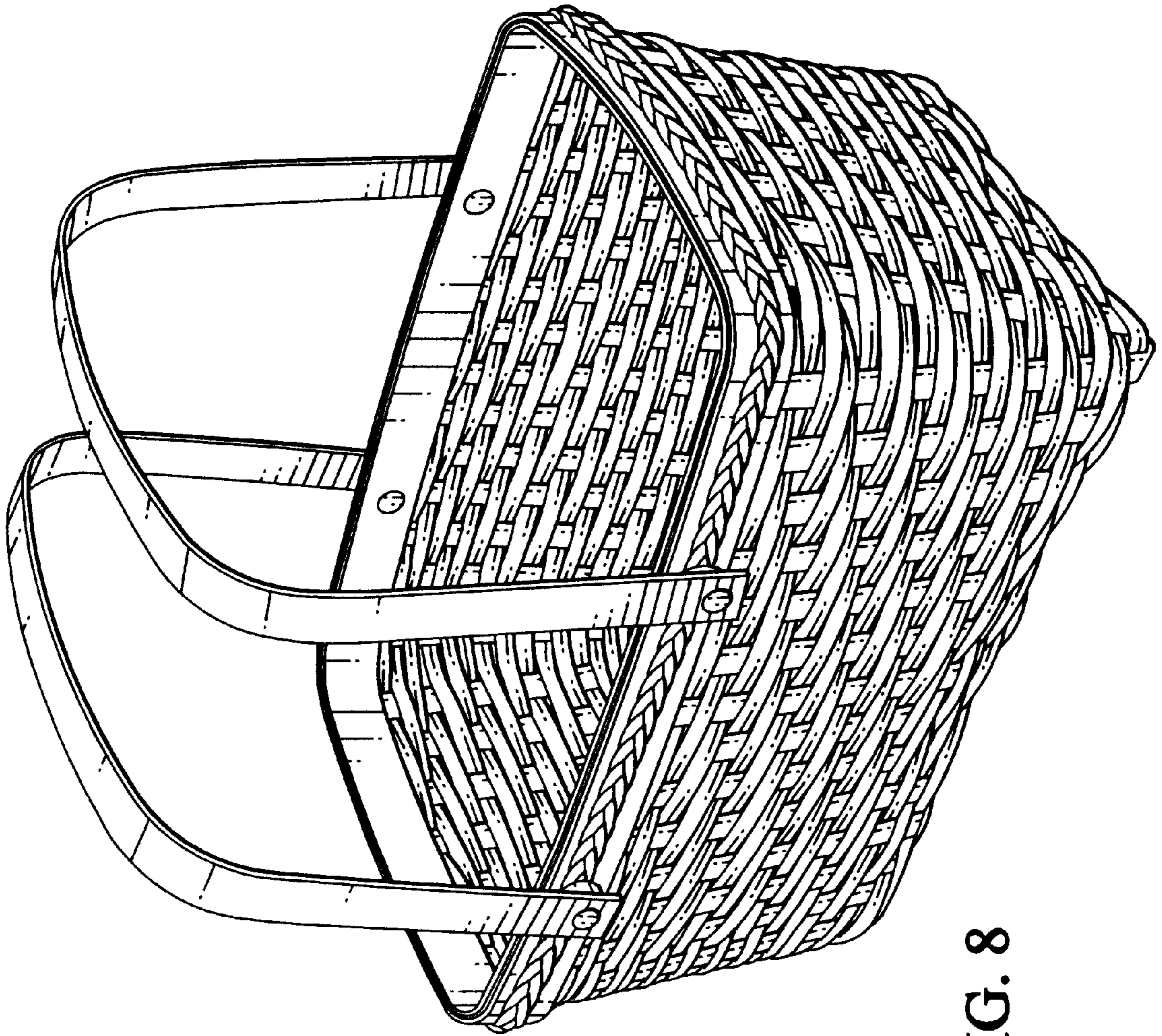


FIG. 8

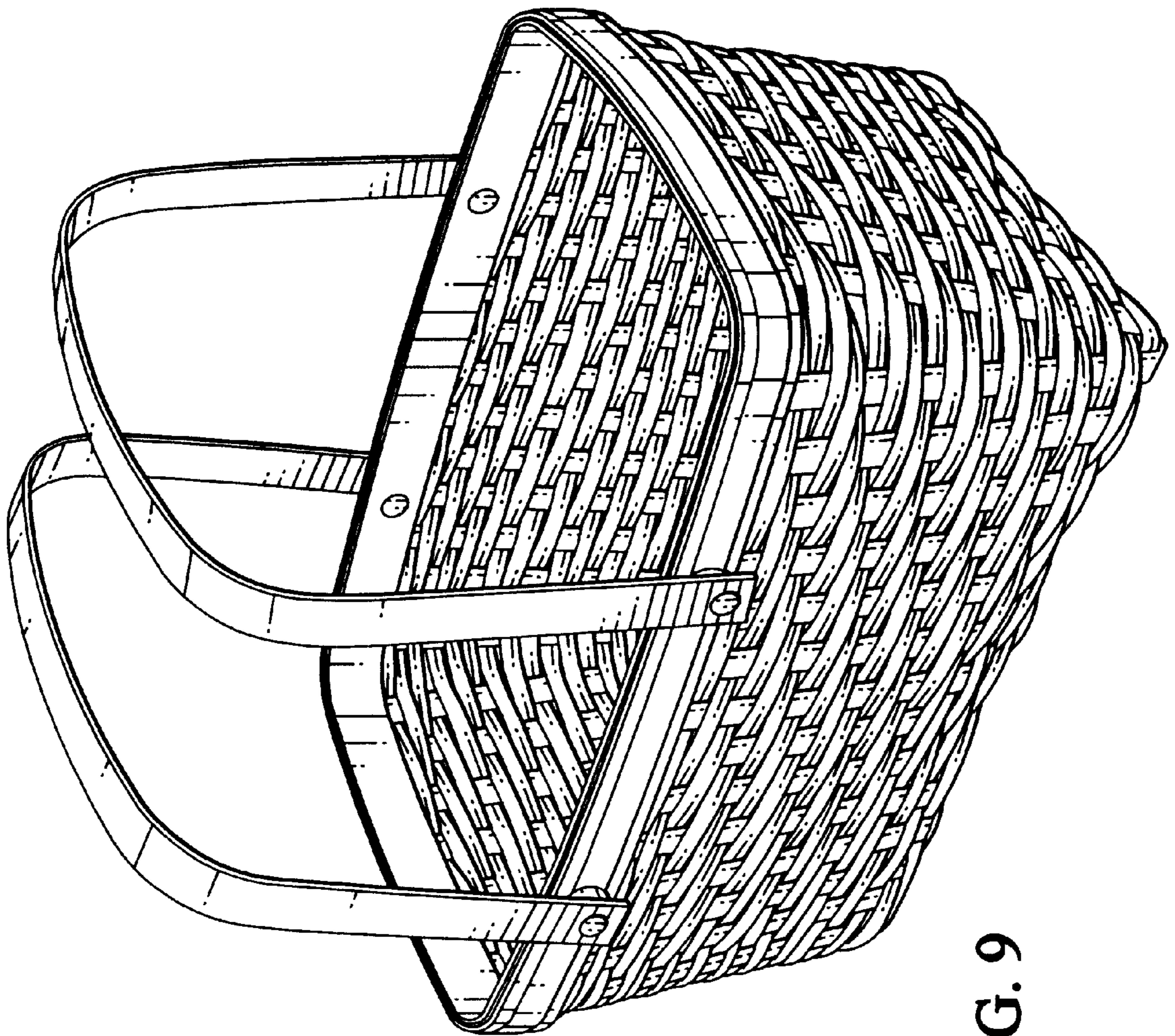


FIG. 9