



US00D471008S

(12) **United States Design Patent**
Dubone

(10) **Patent No.:** **US D471,008 S**

(45) **Date of Patent:** **** Mar. 4, 2003**

(54) **DOUBLE-SIDED BUSINESS CARD HOLDER**

(76) Inventor: **Leola Anthony Dubone**, 4112
Hideaway Dr., Tucker, GA (US) 30084

(**) Term: **14 Years**

(21) Appl. No.: **29/156,146**

(22) Filed: **Feb. 23, 2002**

(51) **LOC (7) Cl.** **03-01**

(52) **U.S. Cl.** **D3/247**

(58) **Field of Search** D3/247, 248, 249,
D3/250, 252, 253, 318; 150/131, 132, 139,
140, 141, 143, 147, 148, 149, 152, 153,
900

(56) **References Cited**

U.S. PATENT DOCUMENTS

2,113,037	A	*	4/1938	St. Thomas et al.	150/139
D179,430	S	*	12/1956	Rudensky	D3/248
2,796,904	A	*	6/1957	Schwenk	150/140
2,825,378	A	*	3/1958	Vaca	150/143
5,244,024	A	*	9/1993	Oosthuizen	150/139
D410,774	S	*	6/1999	Inbert	D3/247 X

* cited by examiner

Primary Examiner—Louis S. Zarfaz
Assistant Examiner—Monica A. Weingart

(57) **CLAIM**

I claim the ornamental design for a double-sided business card holder, as shown and described.

DESCRIPTION

FIG. 1 is a top view of the double-sided business card holder showing my new design;

FIG. 2 is an horizontal edge view thereof;

FIG. 3 is a front elevation view of the double-sided business card holder looking onto the inside showing two inside pockets;

FIG. 4 is a vertical edge view thereof;

FIG. 5 is a perspective view of the double-sided business card holder looking at the inside showing two inside pockets;

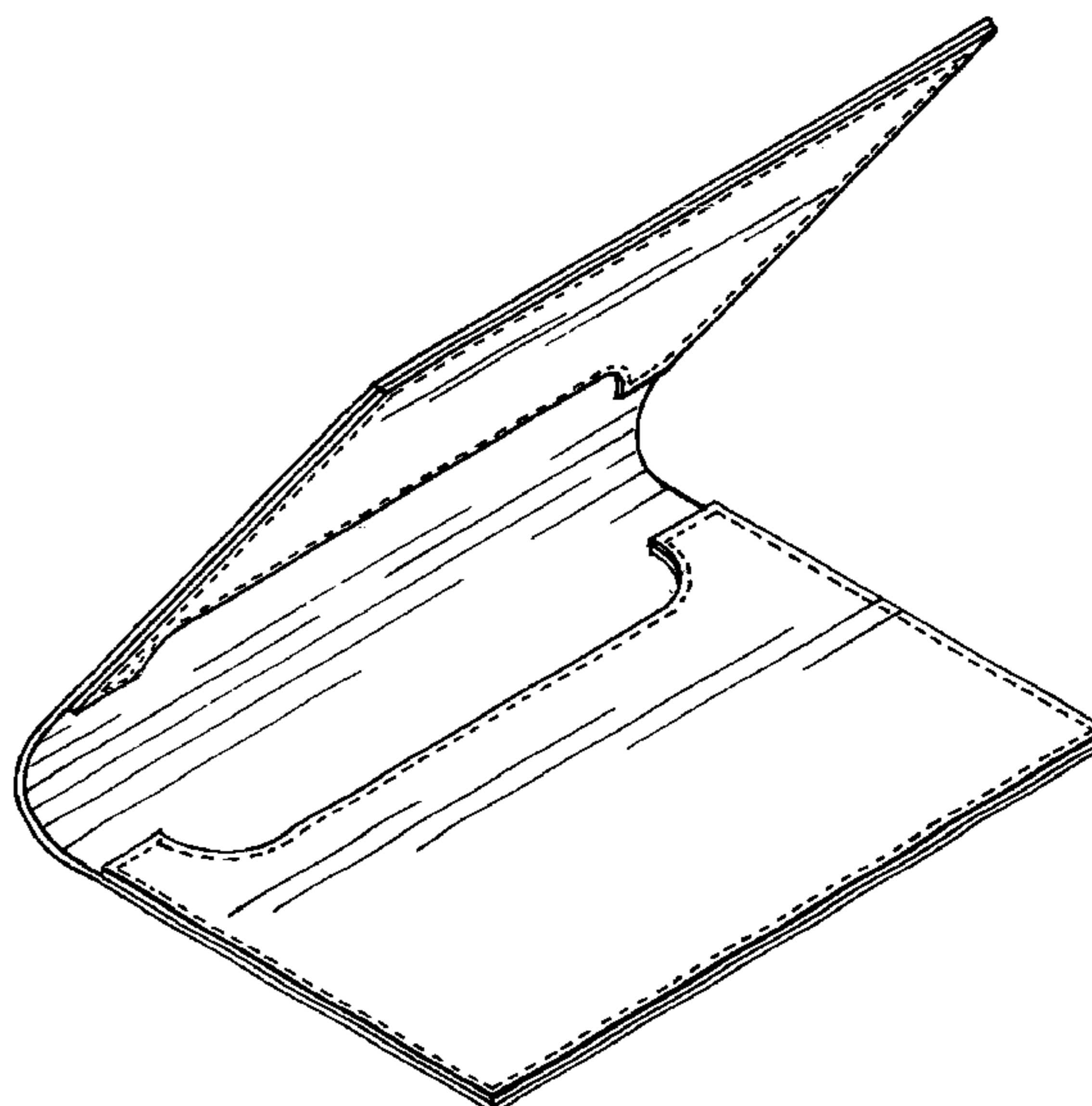
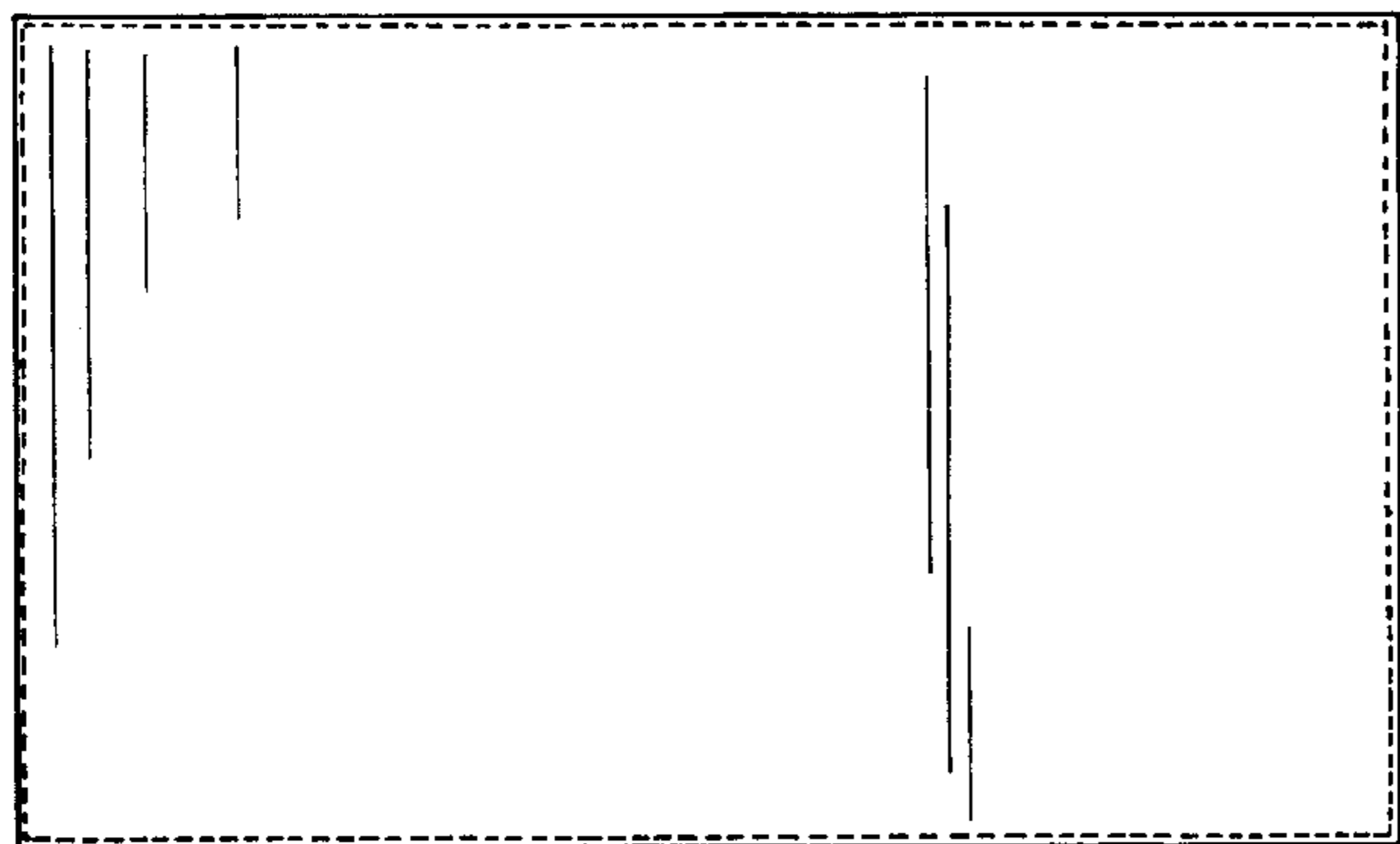
FIG. 6 is a perspective view of the double-sided business card holder showing a partial fold;

FIG. 7 is a perspective closed view thereof; and,

FIG. 8 is a perspective view of the double-sided business card holder showing a cut-away of the inside lining.

The broken line showing, of business cards in FIG. 2, is for illustrative purposes only and forms no part of the claimed design.

1 Claim, 3 Drawing Sheets



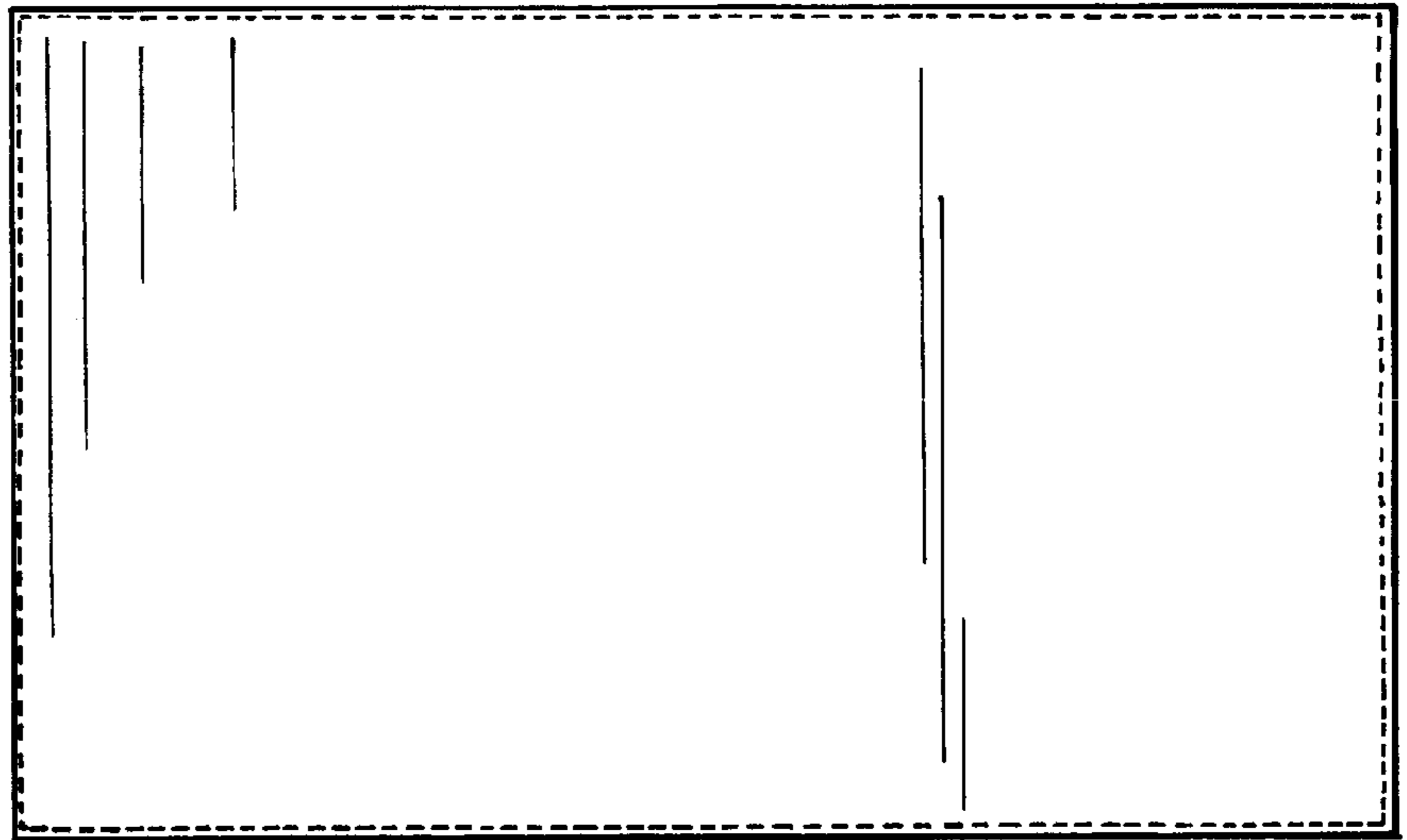


FIG. 1

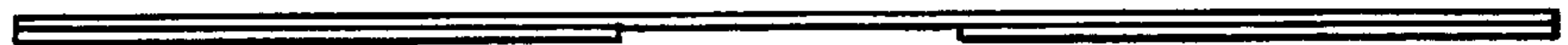


FIG. 2



FIG. 4

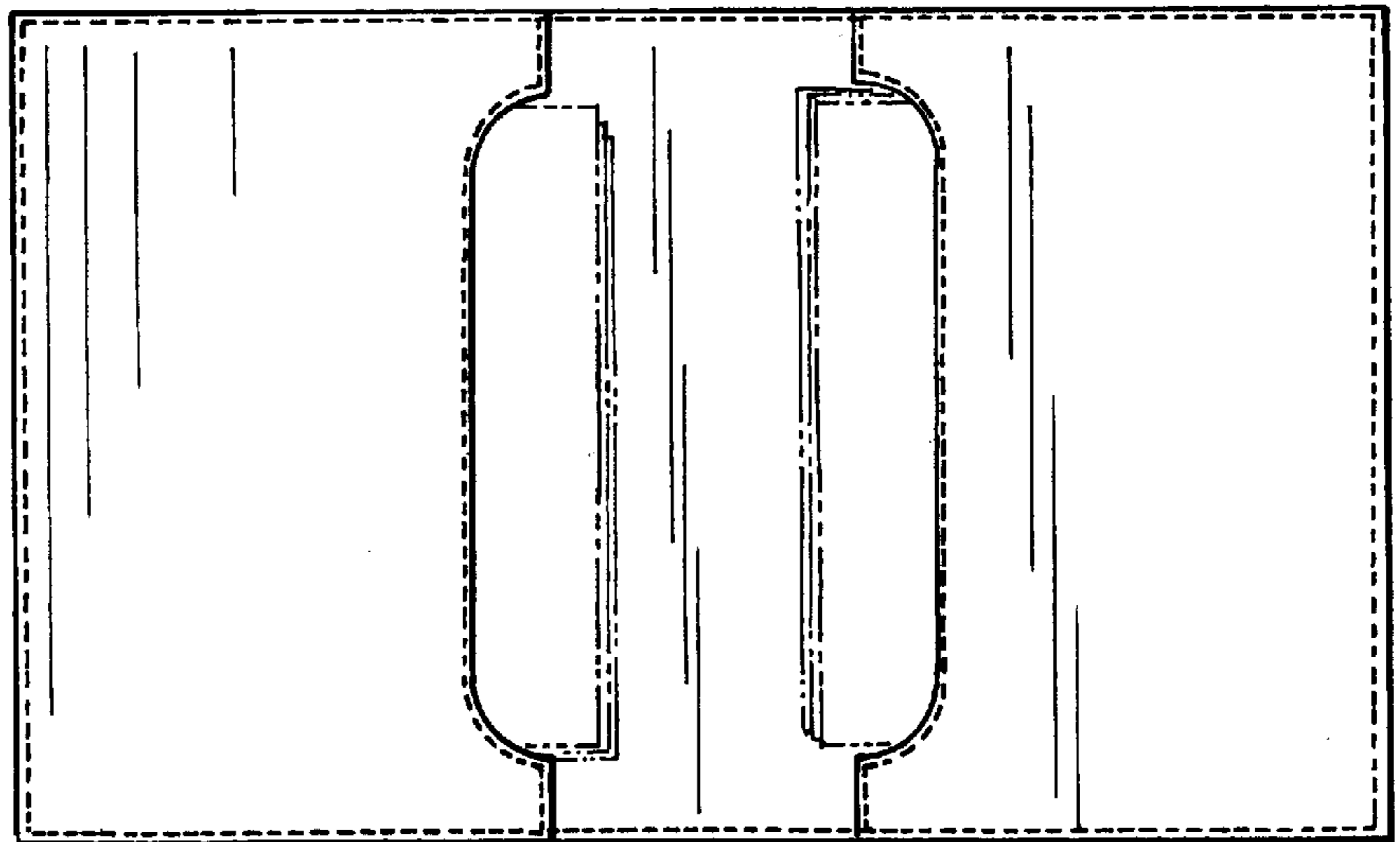


FIG. 3

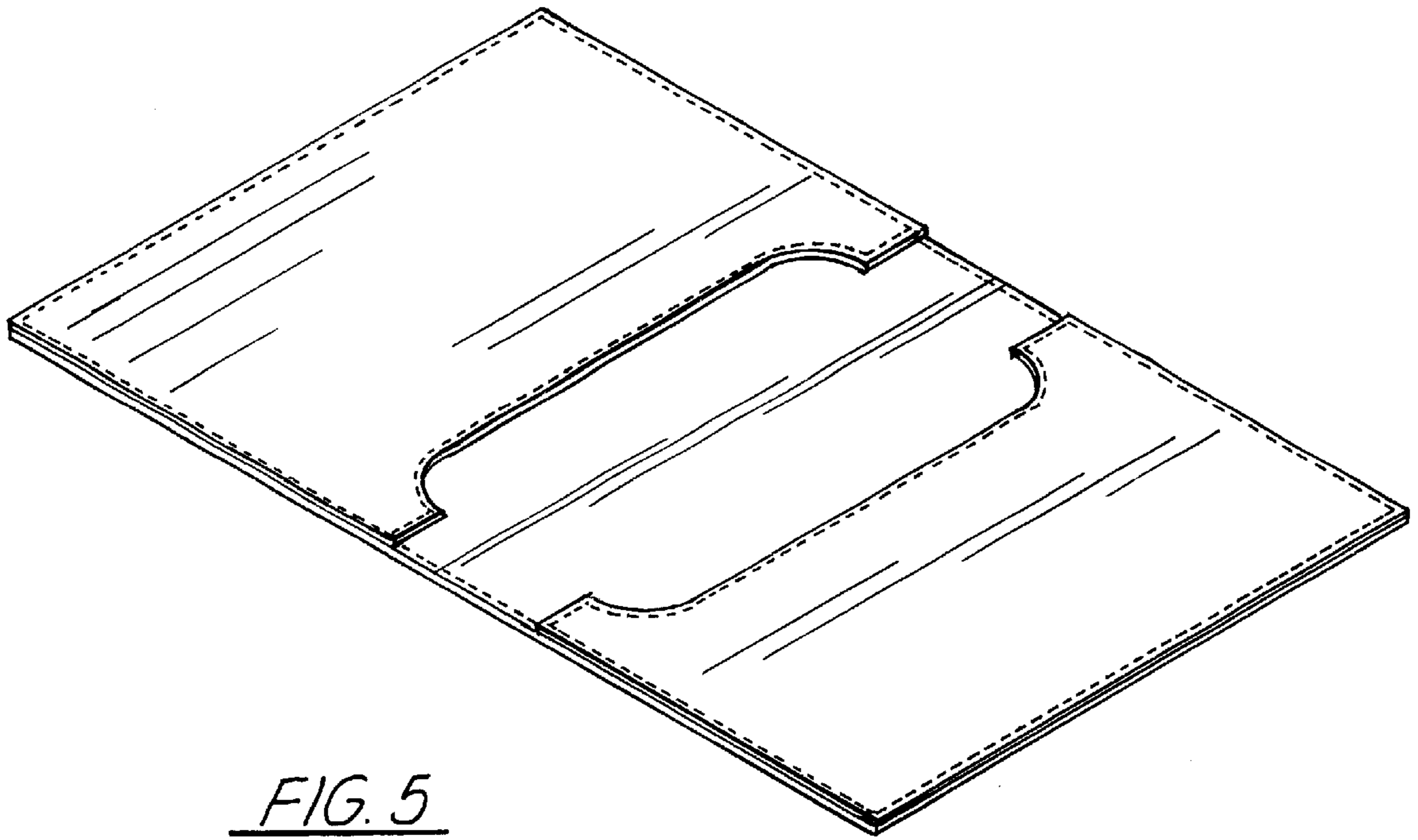


FIG. 5

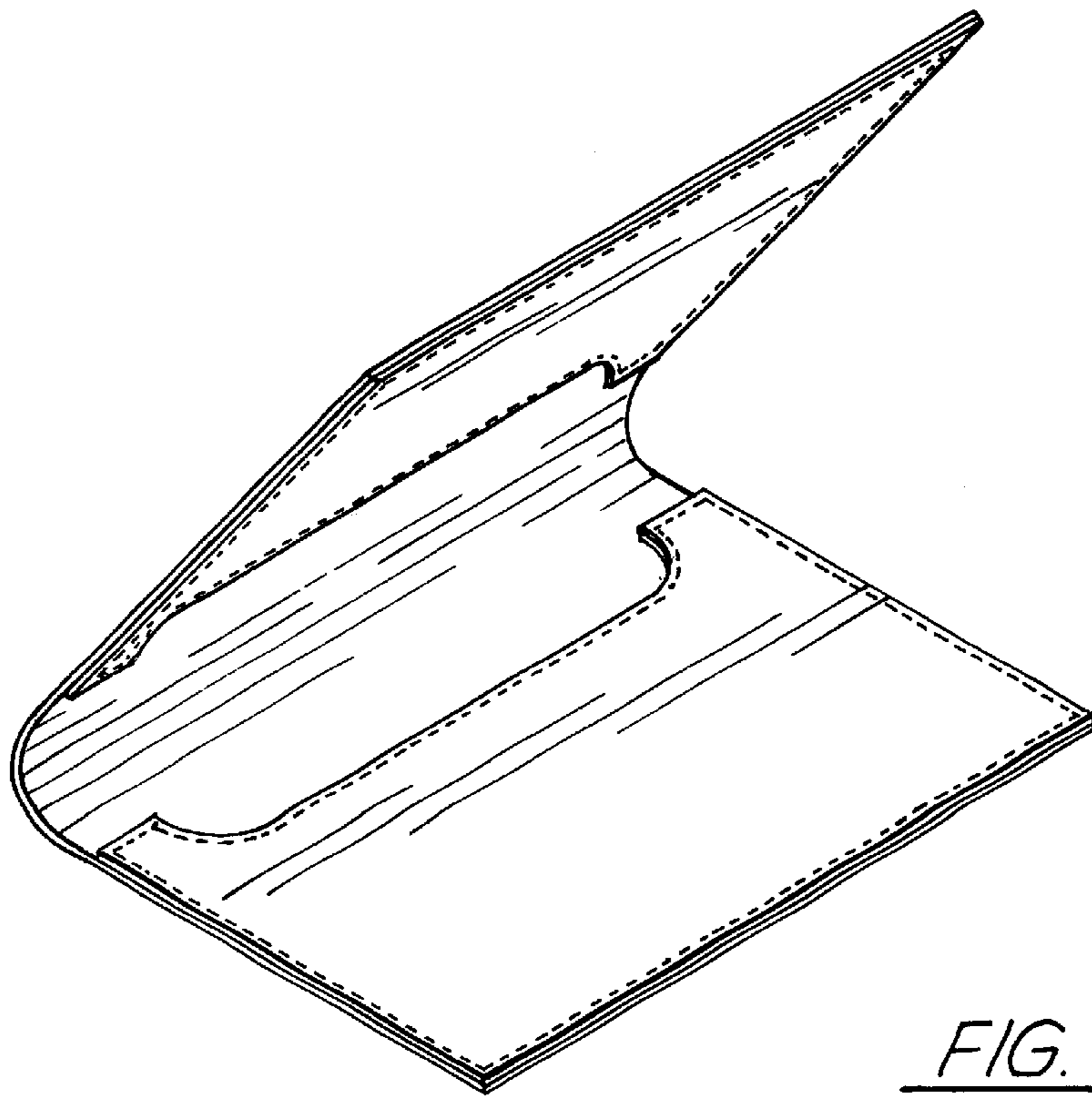


FIG. 6

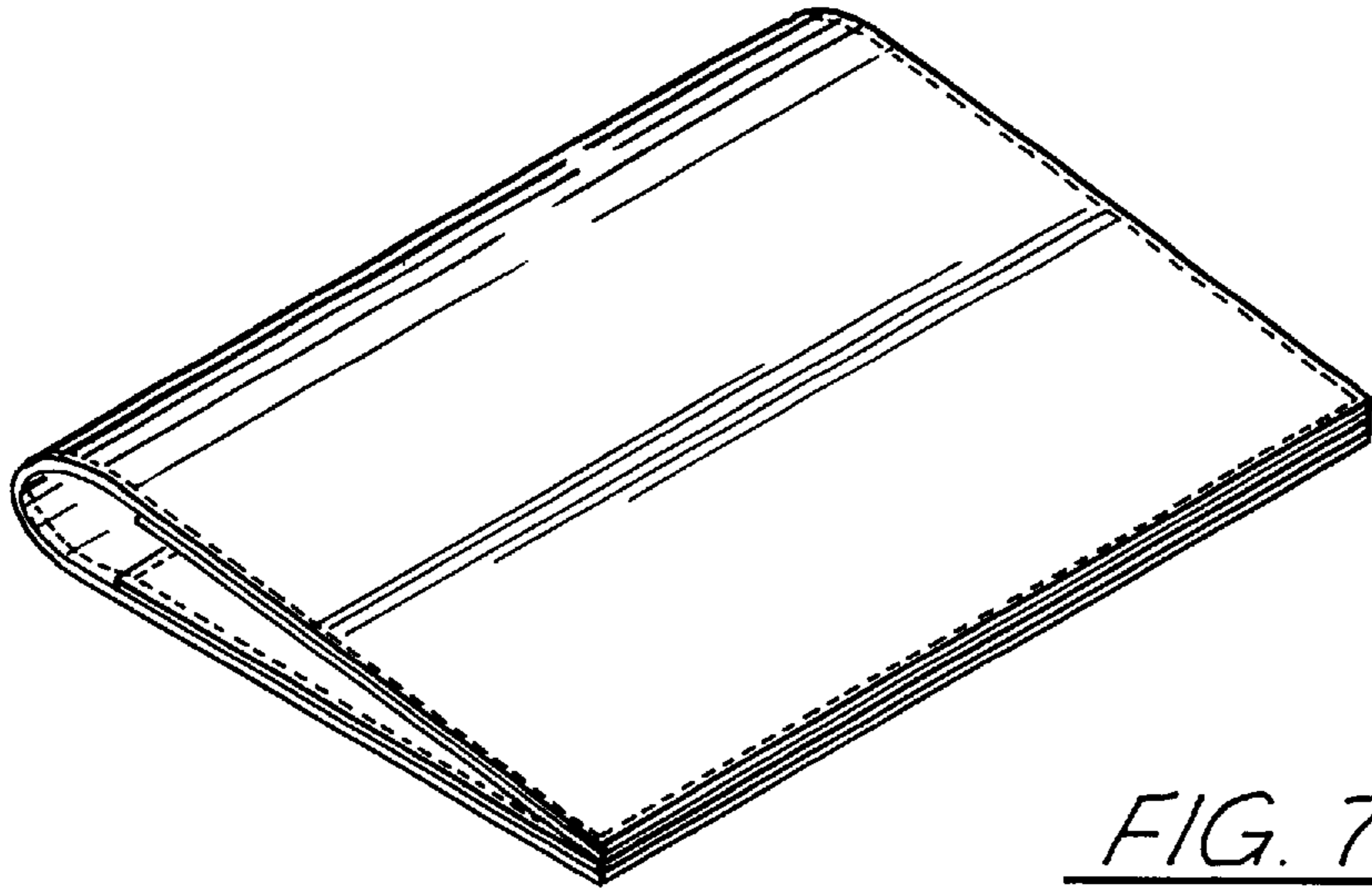


FIG. 7

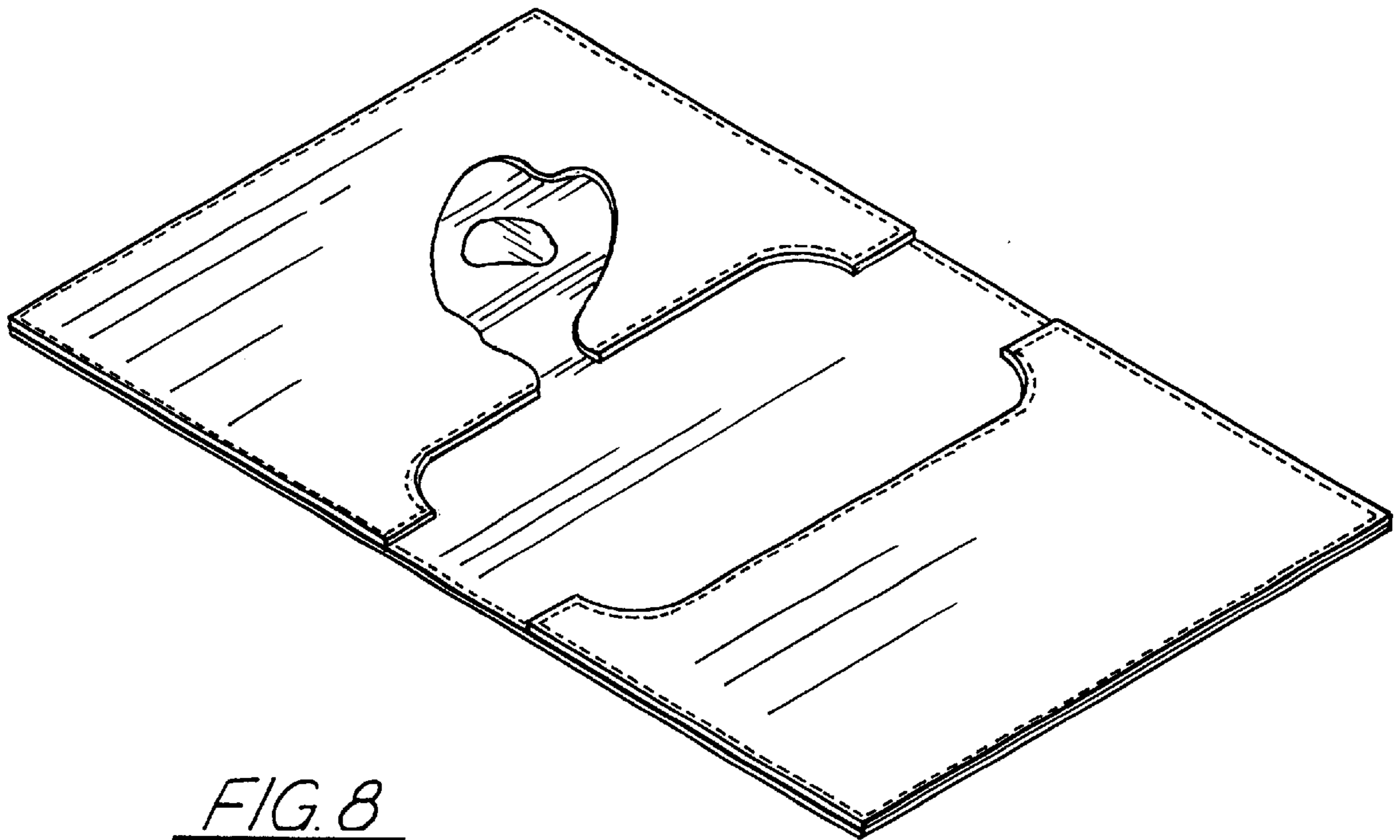


FIG. 8