



US00D471003S

(12) **United States Design Patent**
Naylor

(10) **Patent No.:** **US D471,003 S**

(45) **Date of Patent:** **** Mar. 4, 2003**

(54) **BOWED CEILING UMBRELLA**

(76) Inventor: **Russell Daniel Naylor**, 1415 Jackson St., San Francisco, CA (US) 94109-3115

(**) Term: **14 Years**

(21) Appl. No.: **29/161,633**

(22) Filed: **May 30, 2002**

(51) **LOC (7) Cl.** **03-03**

(52) **U.S. Cl.** **D3/5**

(58) **Field of Search** D3/5-6, 10, 12; 135/98, 16, 18-25.2, 25.3-26, 29-32, 33.71, 913; 297/184.16

(56) **References Cited**

U.S. PATENT DOCUMENTS

58,283 A *	9/1866	Palmer	135/21 X
D56,043 S *	8/1920	Weinberg et al.	D3/5
2,563,353 A *	8/1951	Mueller et al.	135/19.5
2,634,740 A *	4/1953	Duke	135/98 X
2,670,855 A *	3/1954	Pierie	135/98 X
3,252,469 A *	5/1966	Peake	135/25.31
3,289,612 A *	12/1966	Mouw	D3/5 X
3,683,948 A *	8/1972	Cohen	135/26
3,810,481 A *	5/1974	Nohmura	135/158
5,339,847 A *	8/1994	Kanter et al.	135/16
D411,914 S *	7/1999	Chang	D3/6

* cited by examiner

Primary Examiner—Louis S. Zarfaz

Assistant Examiner—Robert A. Delehanty

(74) *Attorney, Agent, or Firm*—Blakely, Sokoloff, Taylor & Zafman LLP

(57) **CLAIM**

The ornamental design for a bowed ceiling umbrella, as shown and described.

DESCRIPTION

A portion of the disclosure of this patent document contains material to which a claim for copyright is made. The copyright owner has no objection to the facsimile reproduction by anyone of the patent documents or the patent disclosure as it appears in the Patent and Trademark Office patent file or records, but reserves all other copyright rights whatsoever.

FIG. 1 is a top and side perspective view of a bowed ceiling umbrella showing my new design;

FIG. 2 is a right side elevation view thereof;

FIG. 3 is a left side elevation view thereof;

FIG. 4 is a top plan view thereof;

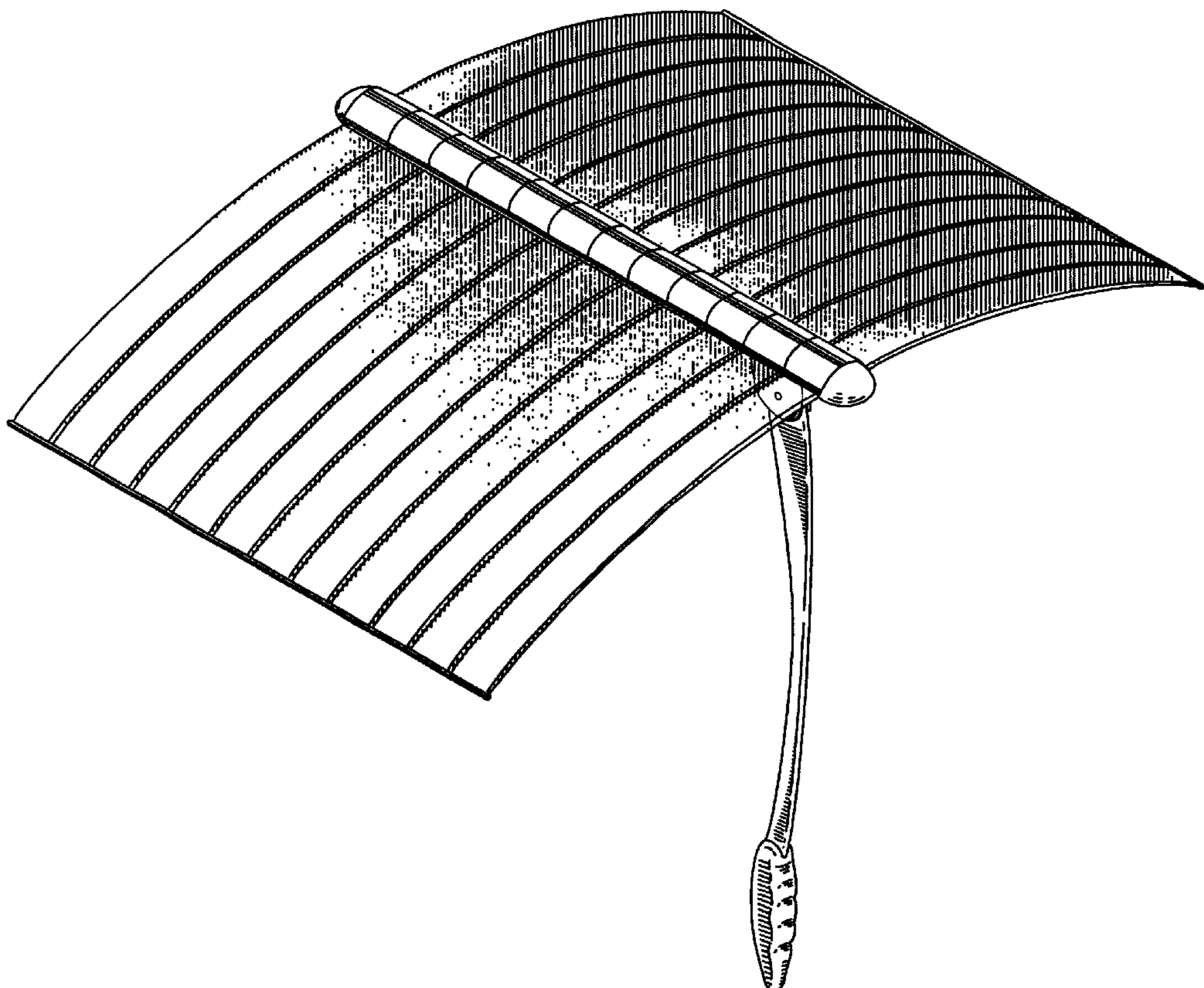
FIG. 5 is a bottom plan view thereof;

FIG. 6 is a front elevation view thereof;

FIG. 7 is a rear elevation view thereof; and,

FIG. 8 is a top and side perspective view thereof shown in a retracted condition.

1 Claim, 6 Drawing Sheets



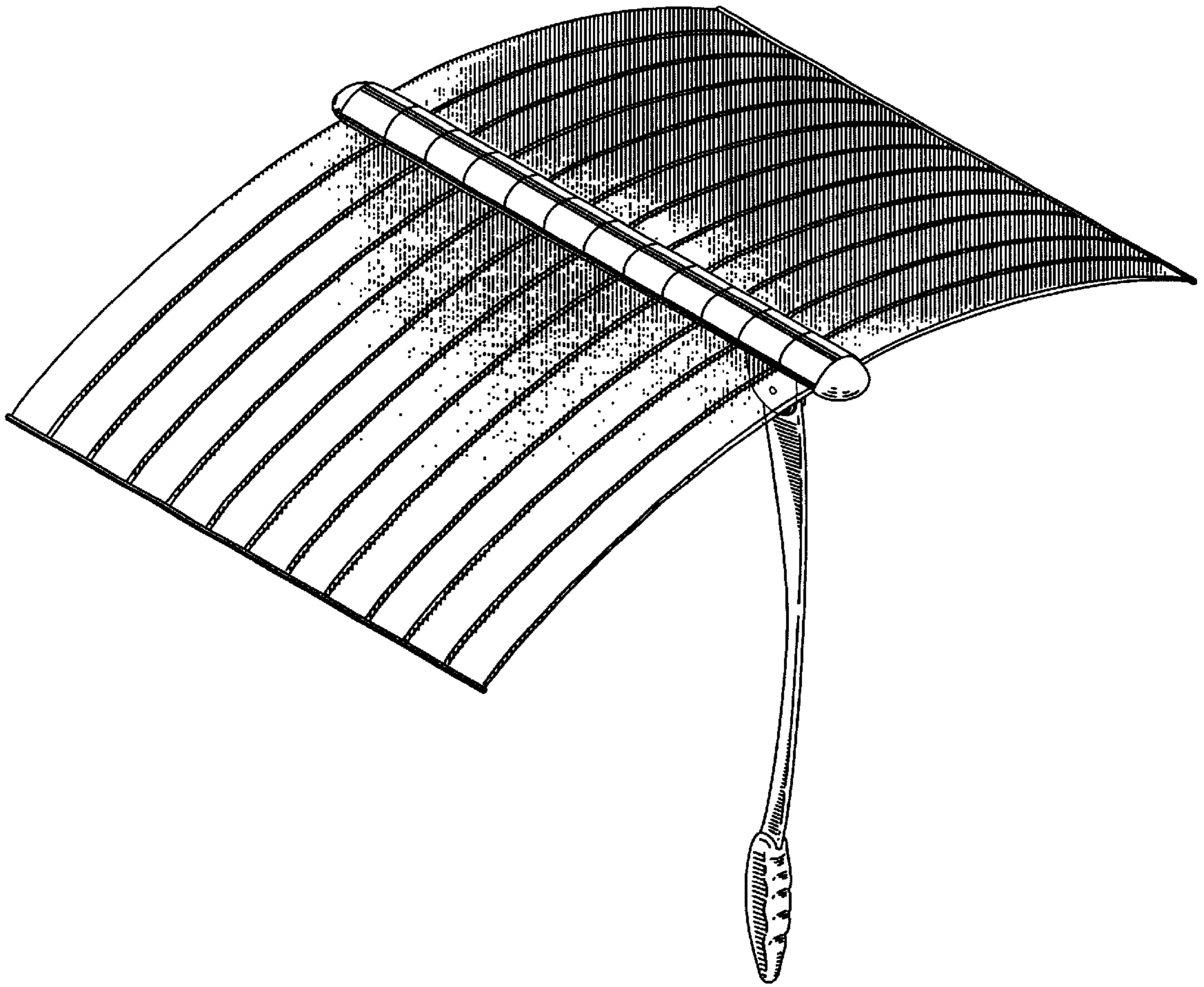


FIG. 1

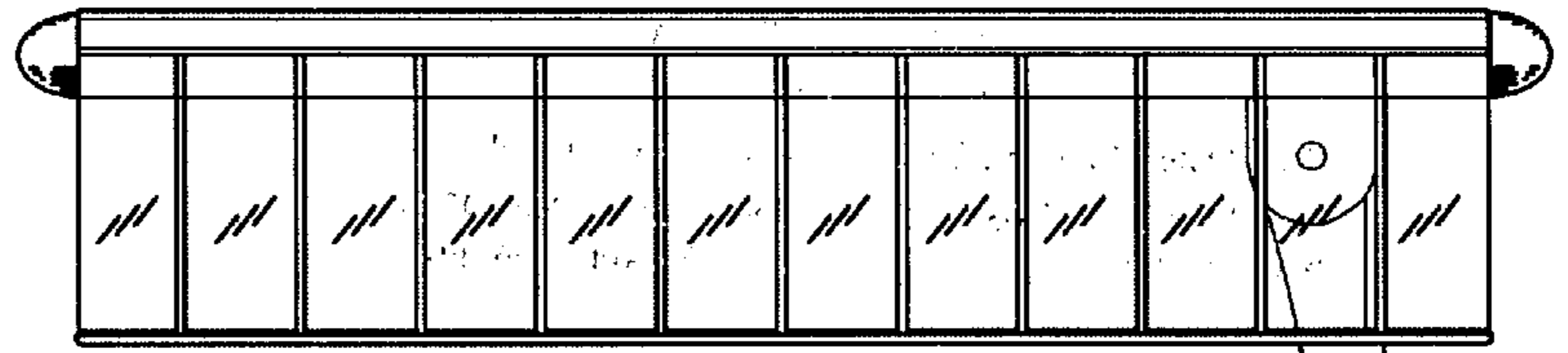


FIG. 2

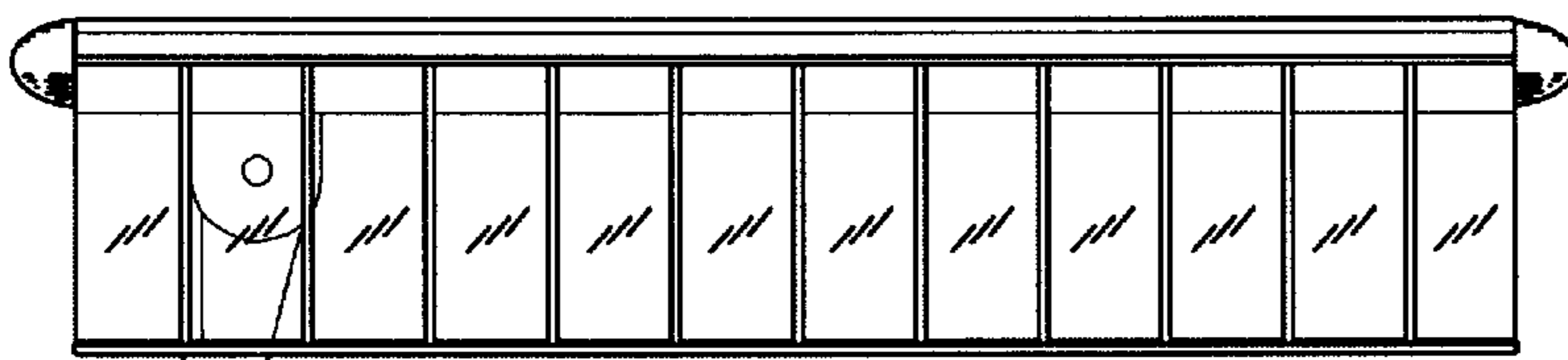


FIG. 3

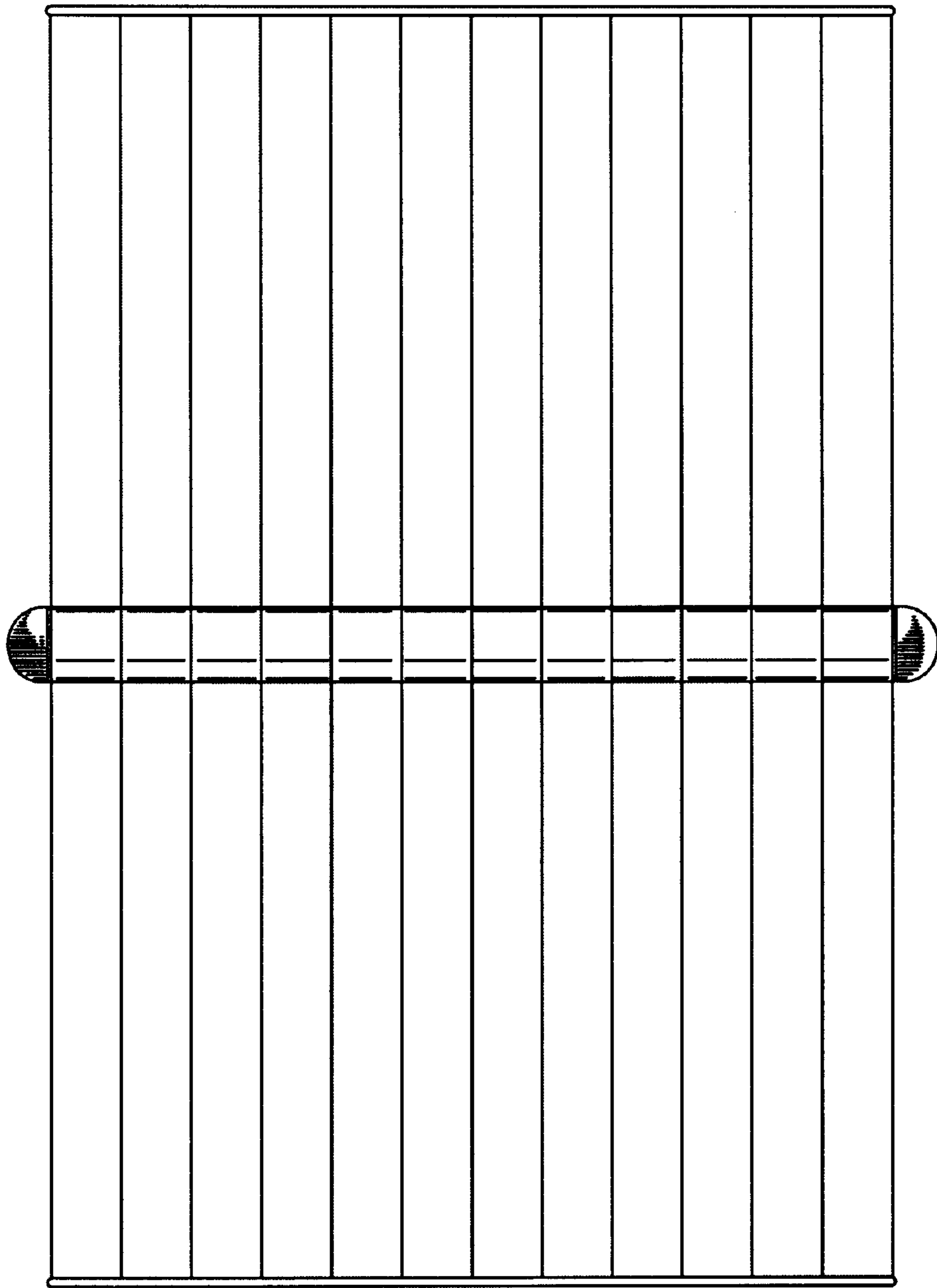


FIG. 4

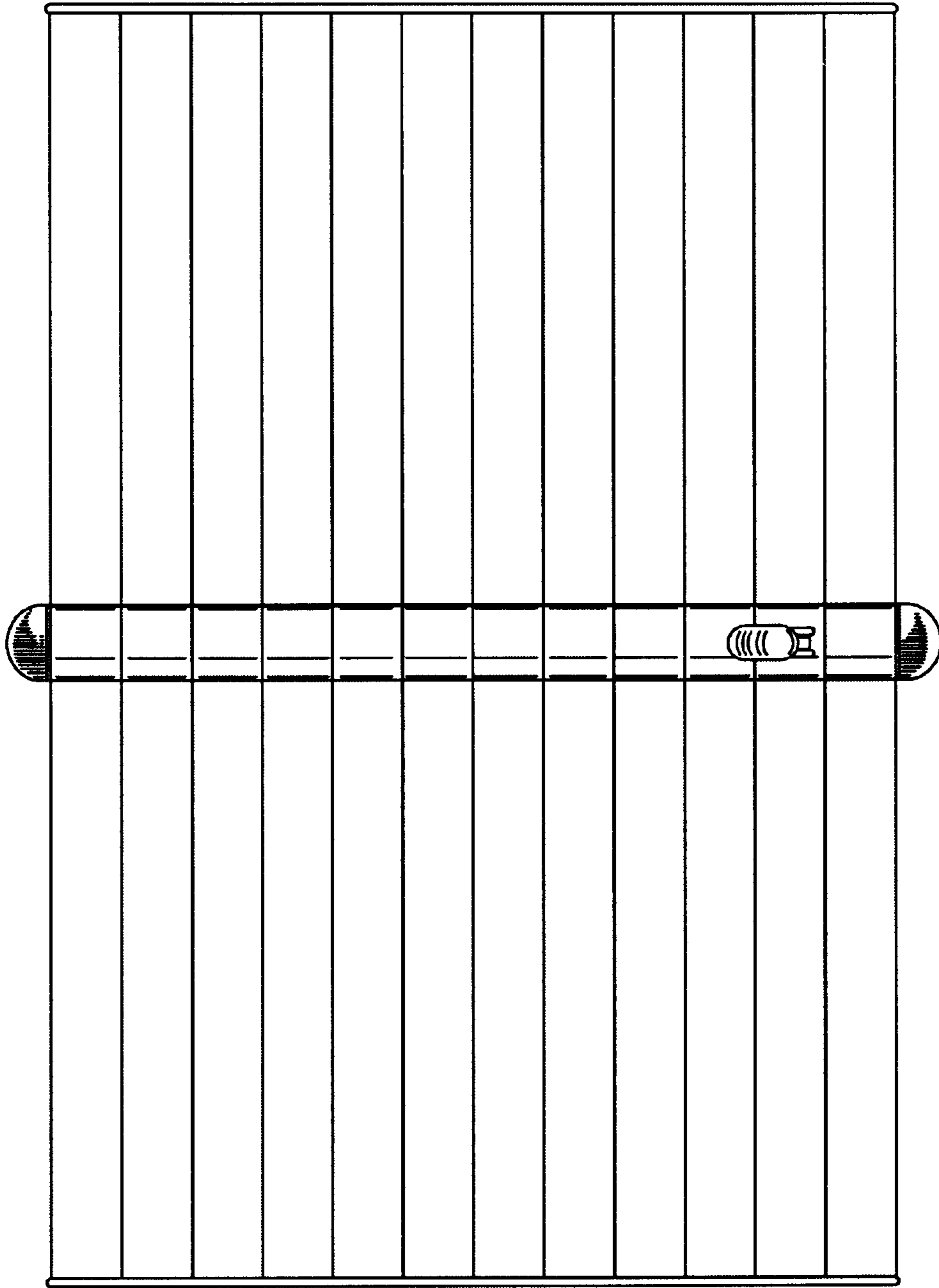


FIG. 5

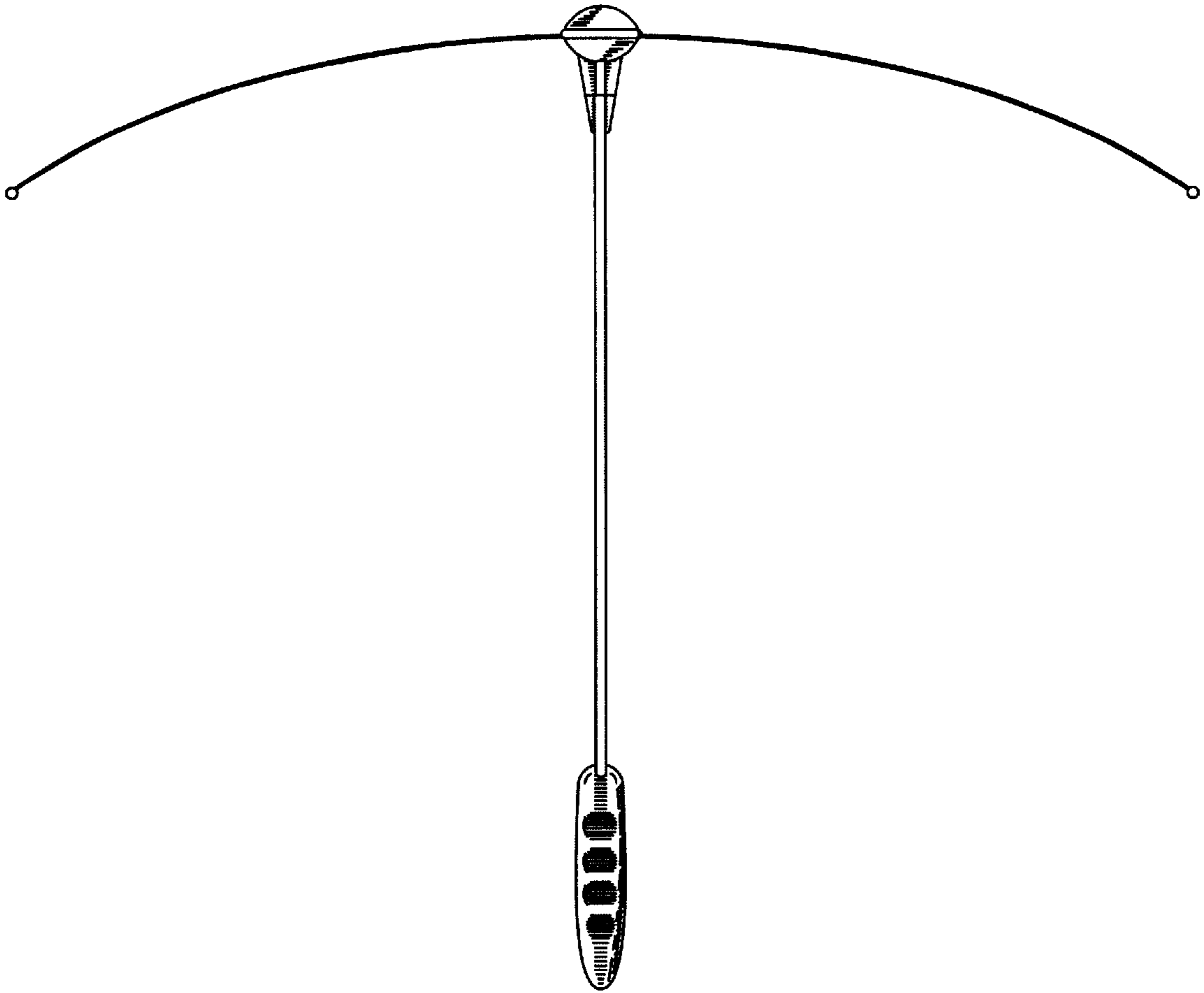


FIG. 6

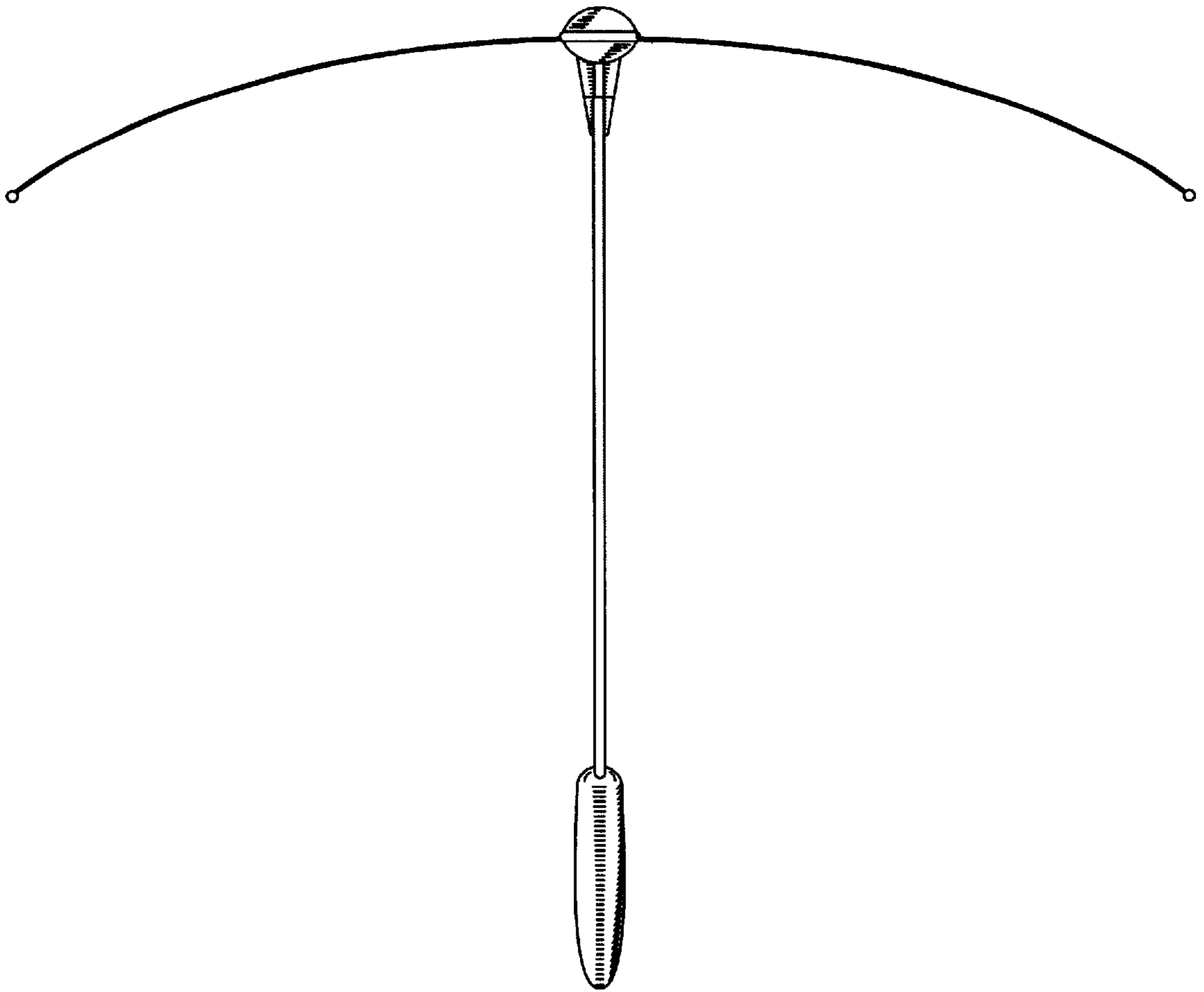


FIG. 7

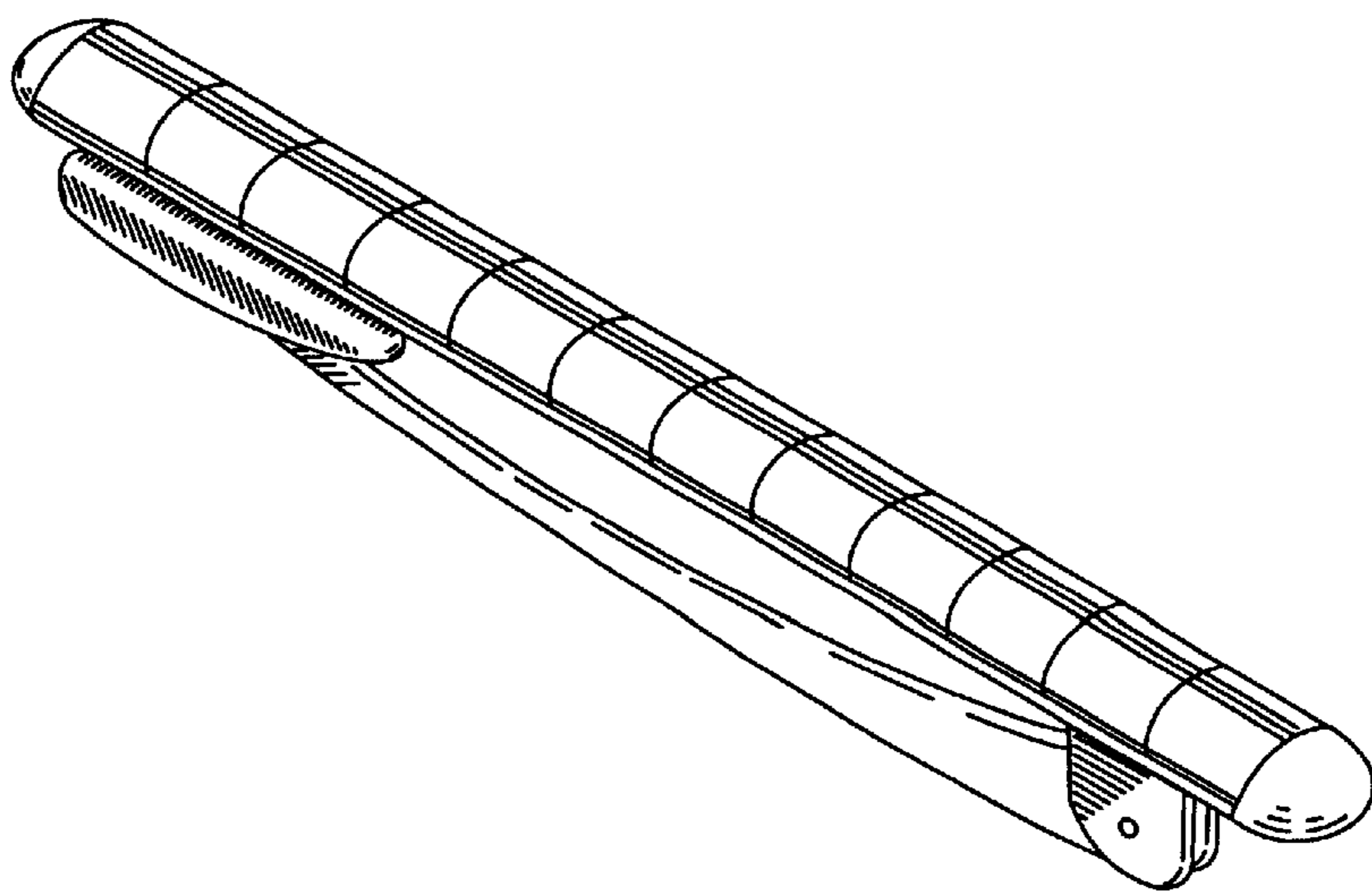


FIG. 8