



US00D470986S

(12) **United States Design Patent**  
**Berthier**

(10) **Patent No.:** **US D470,986 S**

(45) **Date of Patent:** **\*\* Feb. 25, 2003**

(54) **STEAM GENERATING BASE**

D423,163 S \* 4/2000 Stützer et al. .... D32/73  
6,212,332 B1 \* 4/2001 Sham et al. .... 392/404

(75) Inventor: **Marc Berthier**, Paris (FR)

**FOREIGN PATENT DOCUMENTS**

(73) Assignee: **Calor S.A.**, Lyons (FR)

GB 2330843 \* 5/1999 ..... D06F/75/10

(\*\*) Term: **14 Years**

\* cited by examiner

(21) Appl. No.: **29/154,136**

*Primary Examiner*—Alan P. Douglas

*Assistant Examiner*—Lavone D. Tabor

(22) Filed: **Jan. 22, 2002**

(74) *Attorney, Agent, or Firm*—Browdy and Neimark,  
P.L.L.C.

(30) **Foreign Application Priority Data**

(57) **CLAIM**

Jul. 19, 2001 (FR) ..... 01 4275

The ornamental design for a steam generating base, as shown and described.

(51) **LOC (7) Cl.** ..... **07-05**

**DESCRIPTION**

(52) **U.S. Cl.** ..... **D32/73**

(58) **Field of Search** ..... D32/68, 71, 73;  
38/75, 77.6, 96, 141, 142; 219/246–252,  
259; 248/117.1, 117.2, 117.3; 392/394,  
404

FIG. 1 is a perspective view of a steam generating base in accordance with the present design;

FIG. 2 is a left side elevational view thereof;

FIG. 3 is a right side elevational view thereof;

FIG. 4 is a front elevational view thereof;

FIG. 5 is a rear elevational view thereof;

FIG. 6 is a top plan view thereof; and,

FIG. 7 is a bottom plan view thereof.

(56) **References Cited**

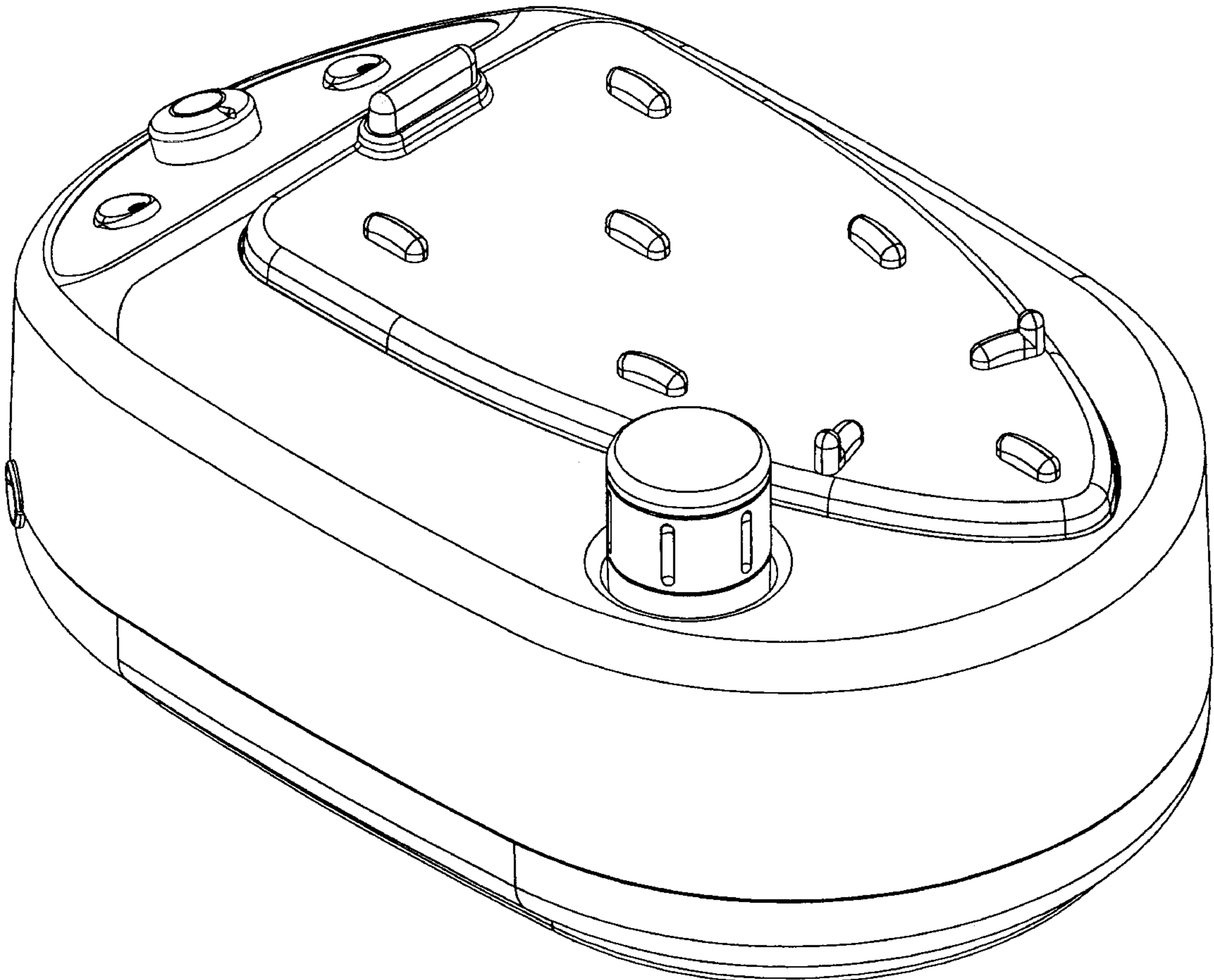
**U.S. PATENT DOCUMENTS**

D364,019 S \* 11/1995 Reibl ..... D32/73

D379,702 S \* 6/1997 Gudefin et al. .... D32/73

D408,107 S \* 4/1999 Clouet ..... D32/73

**1 Claim, 7 Drawing Sheets**



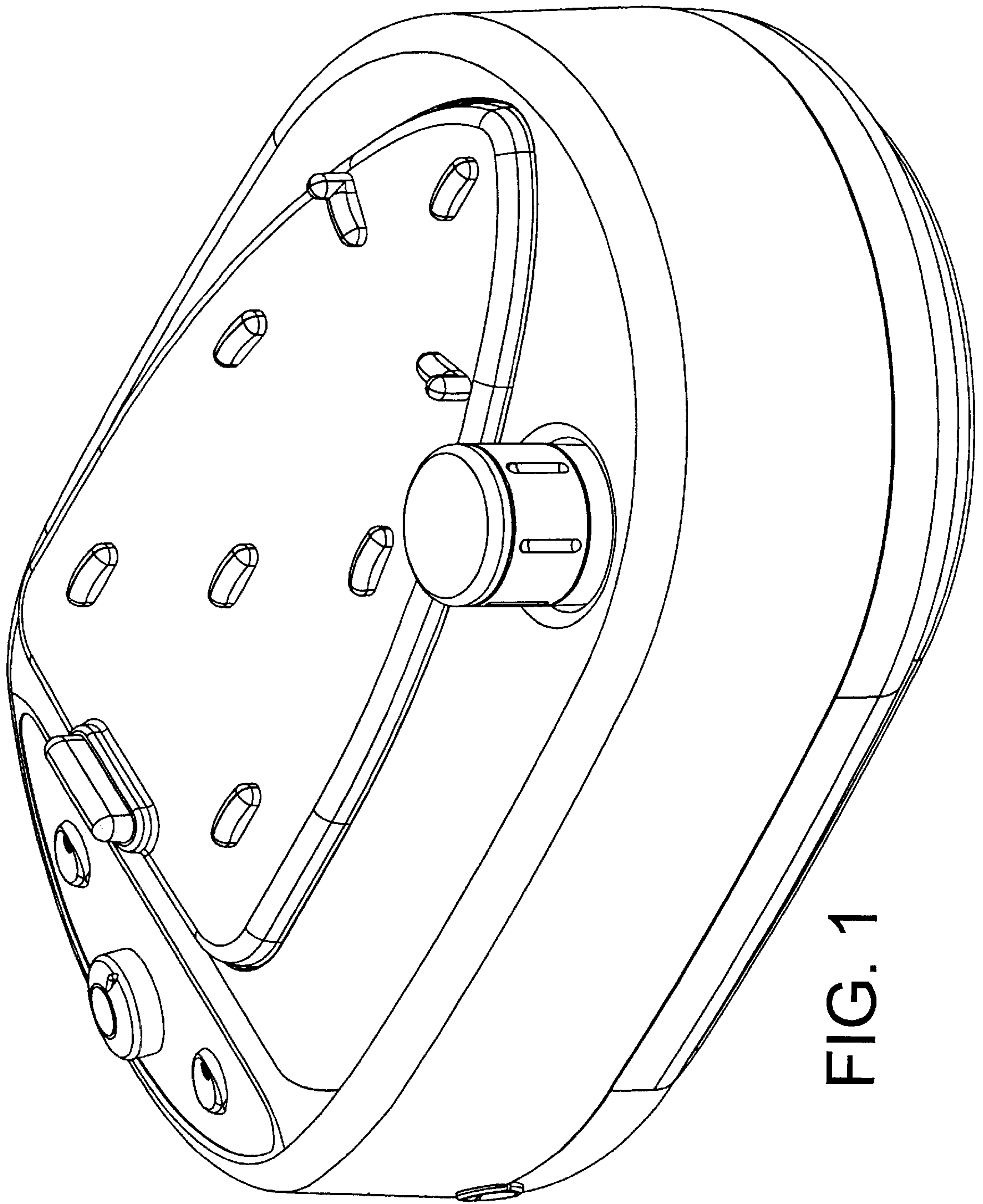


FIG. 1

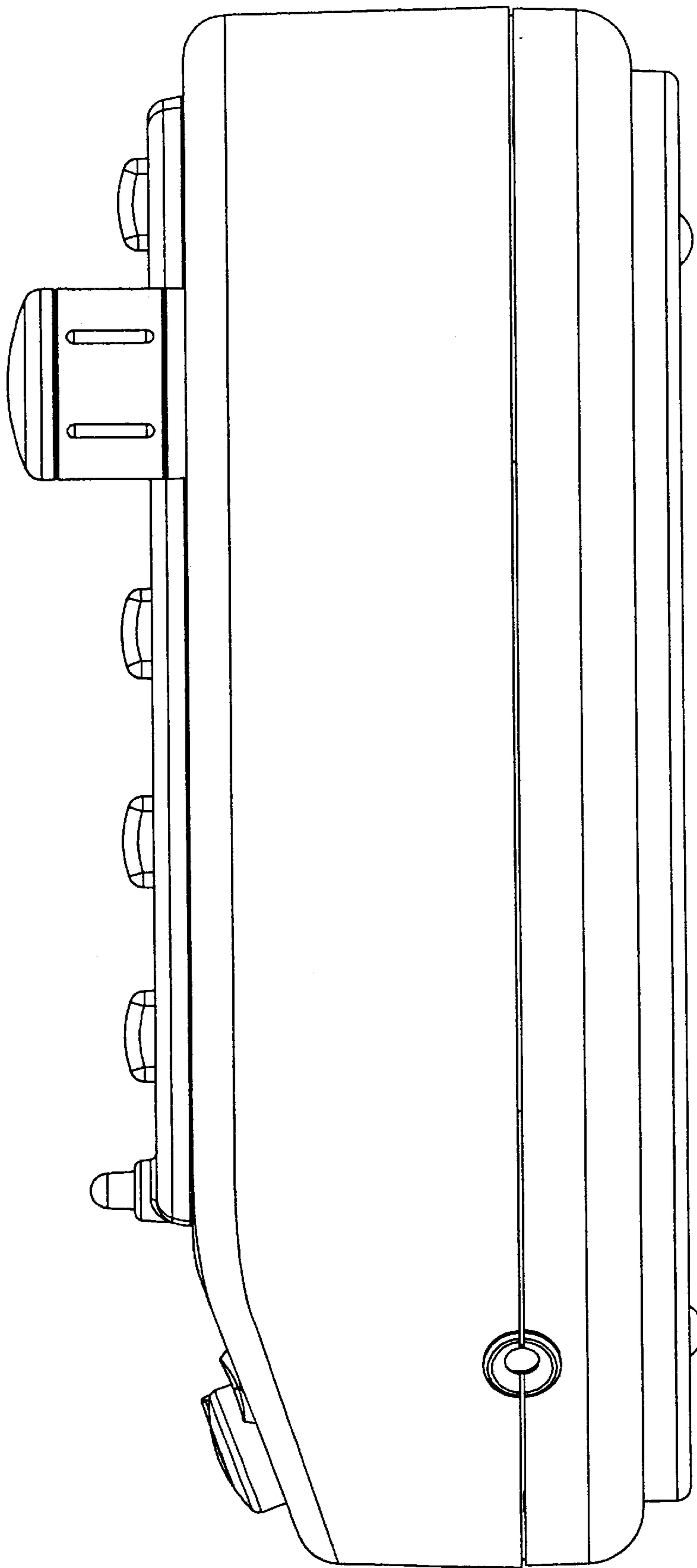


FIG. 2

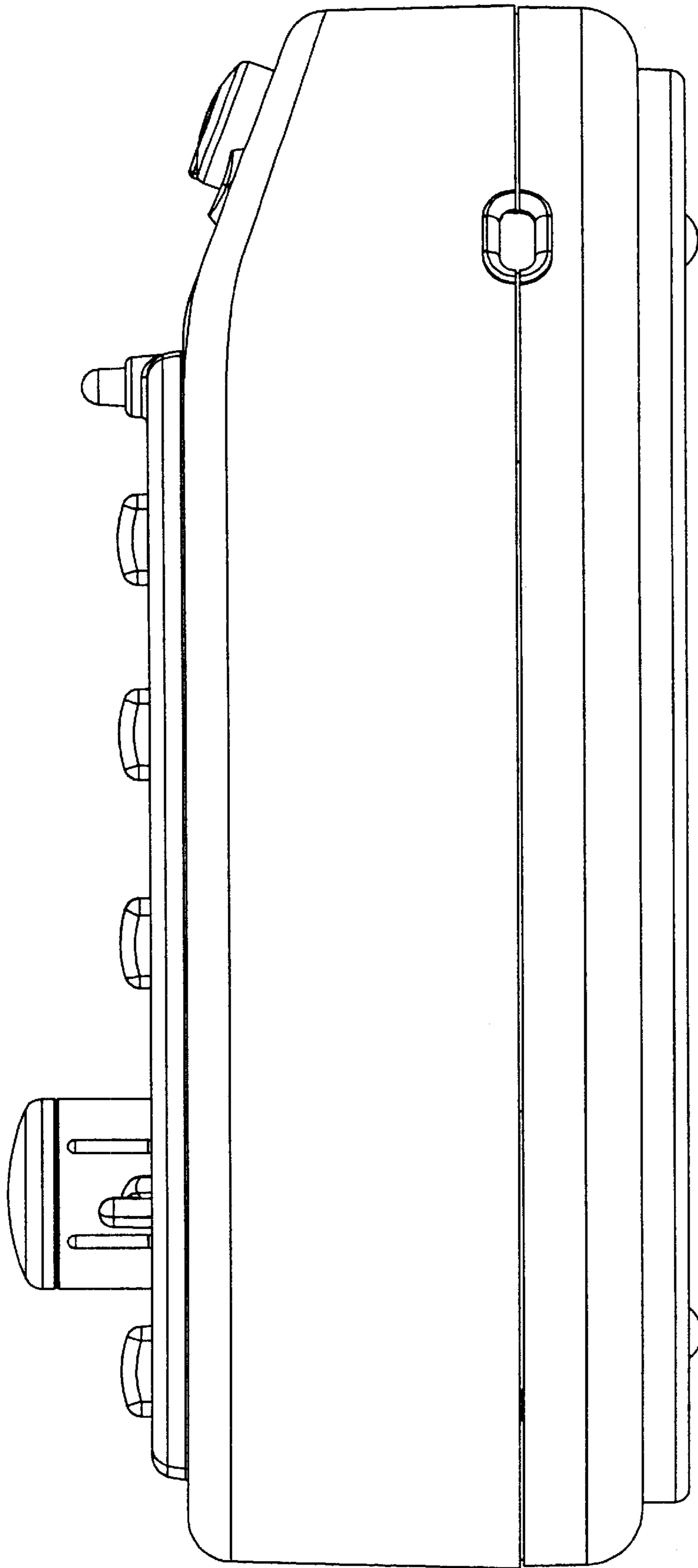


FIG. 3

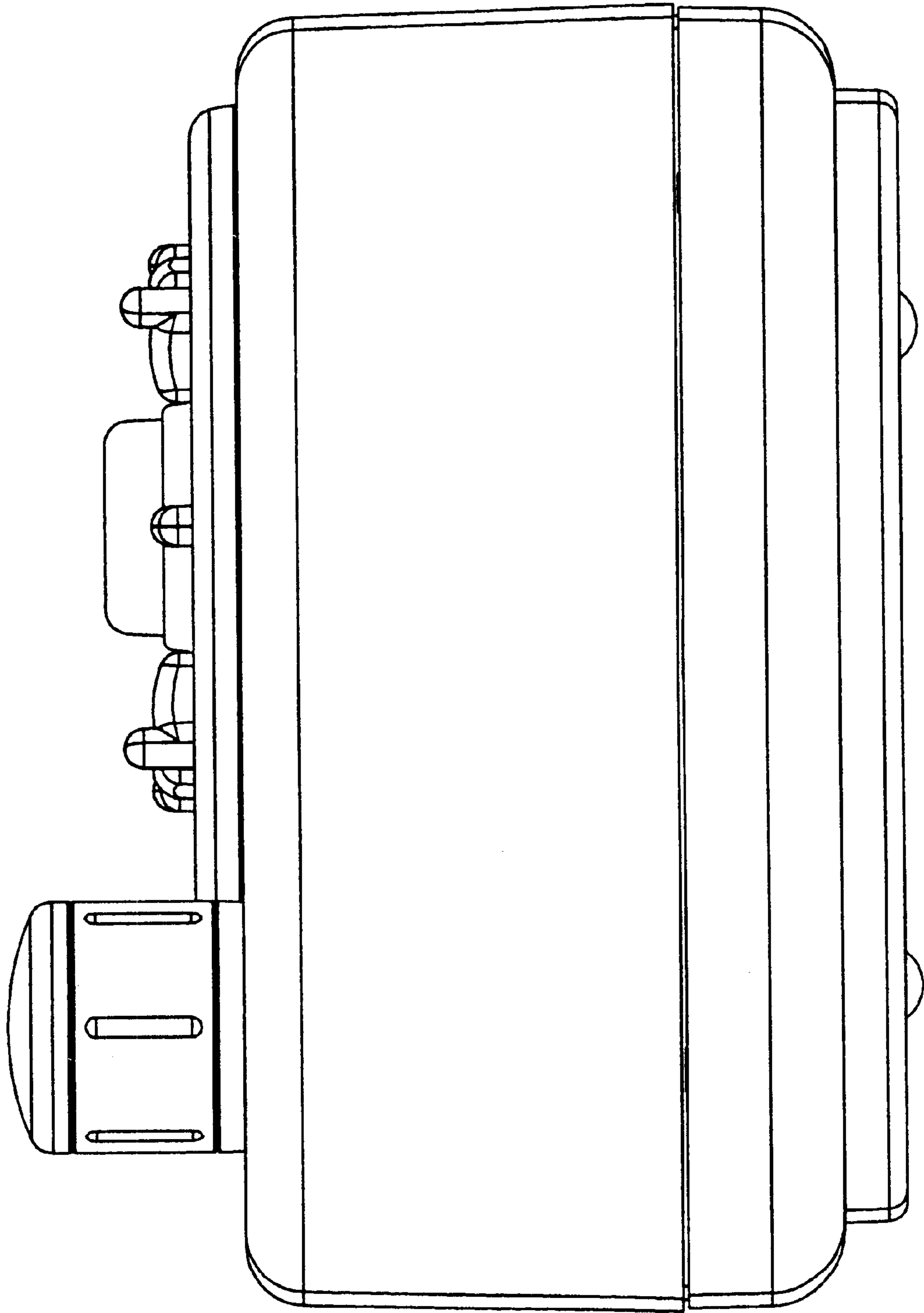


FIG. 4

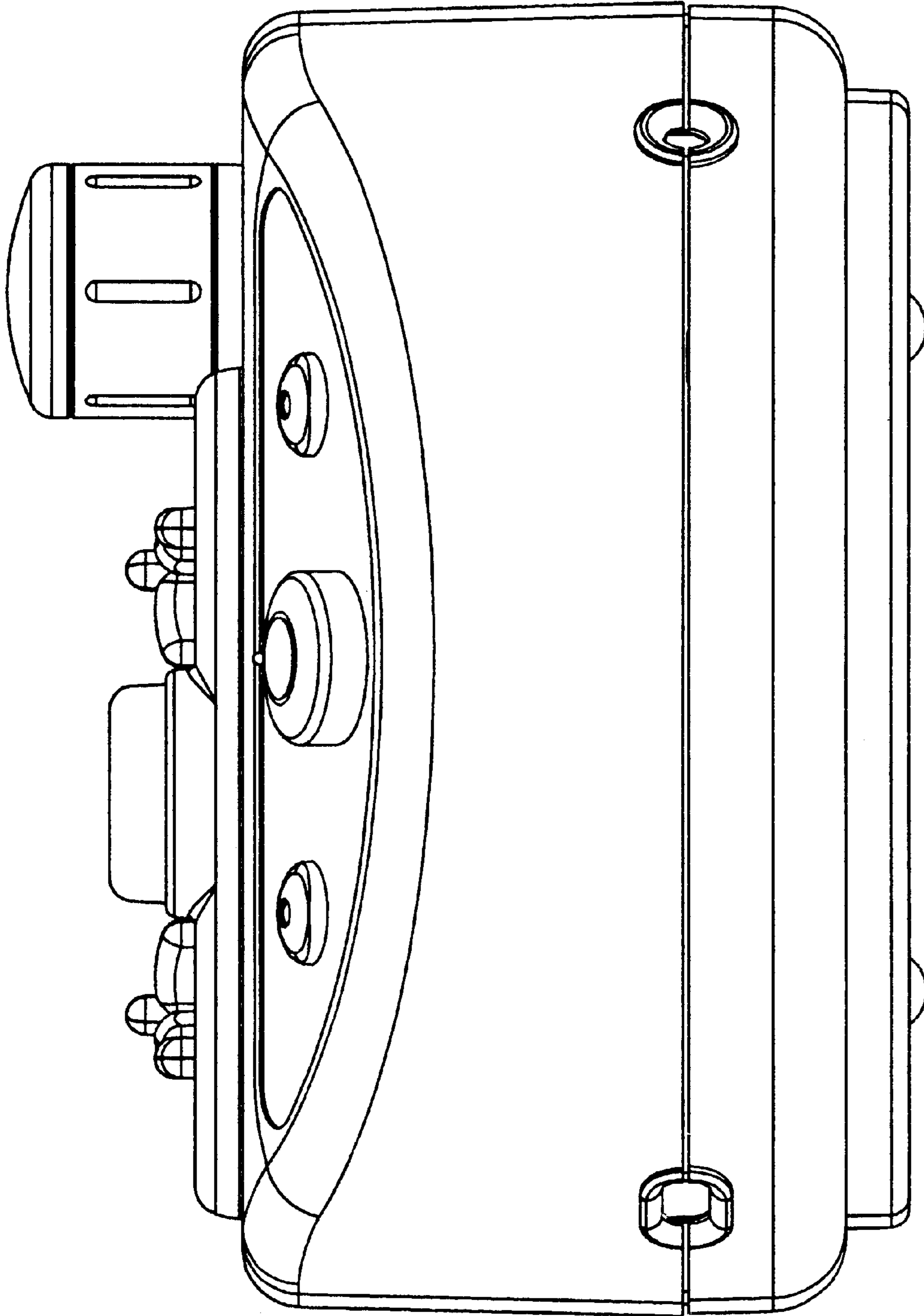


FIG. 5

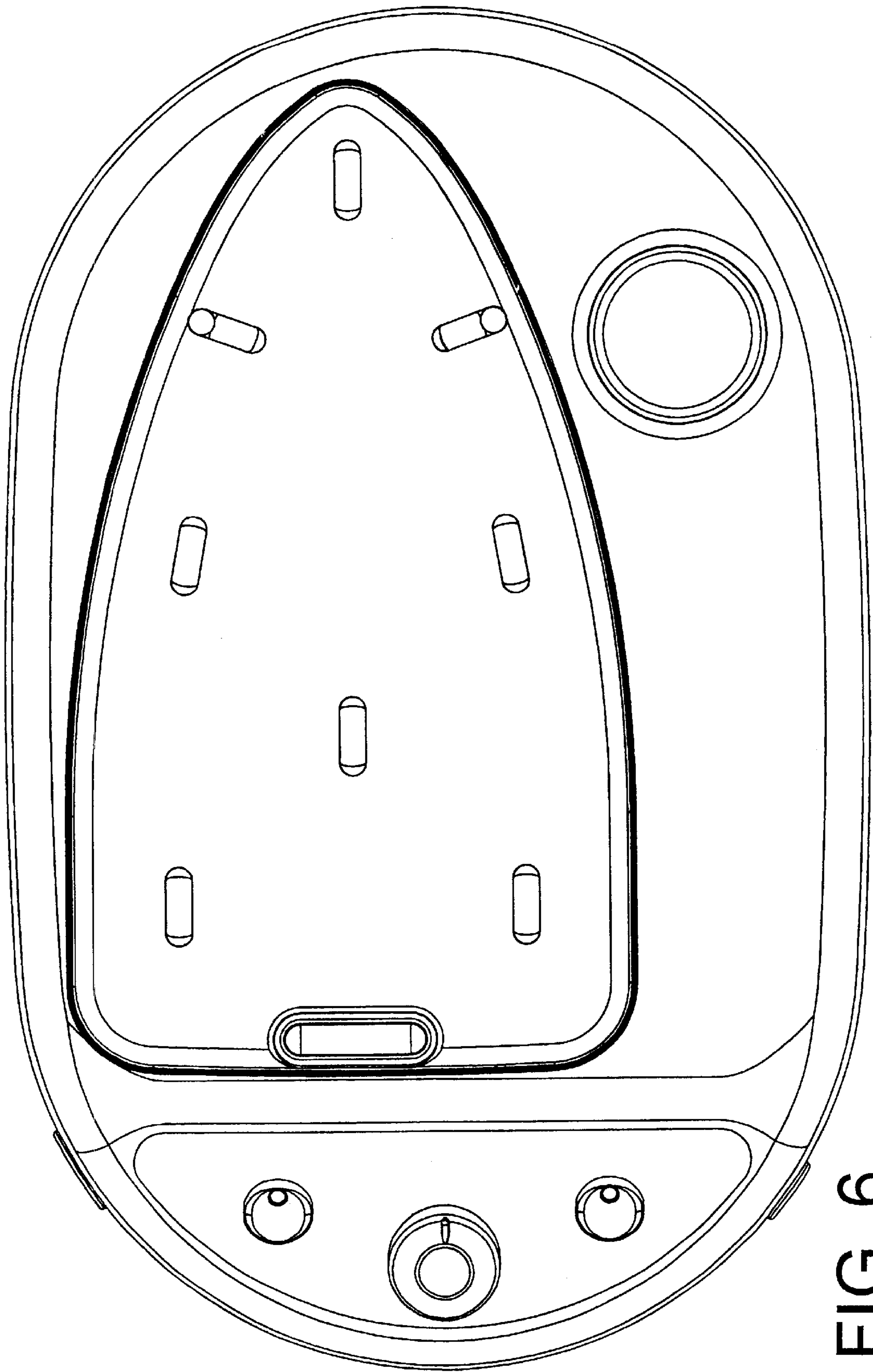


FIG. 6

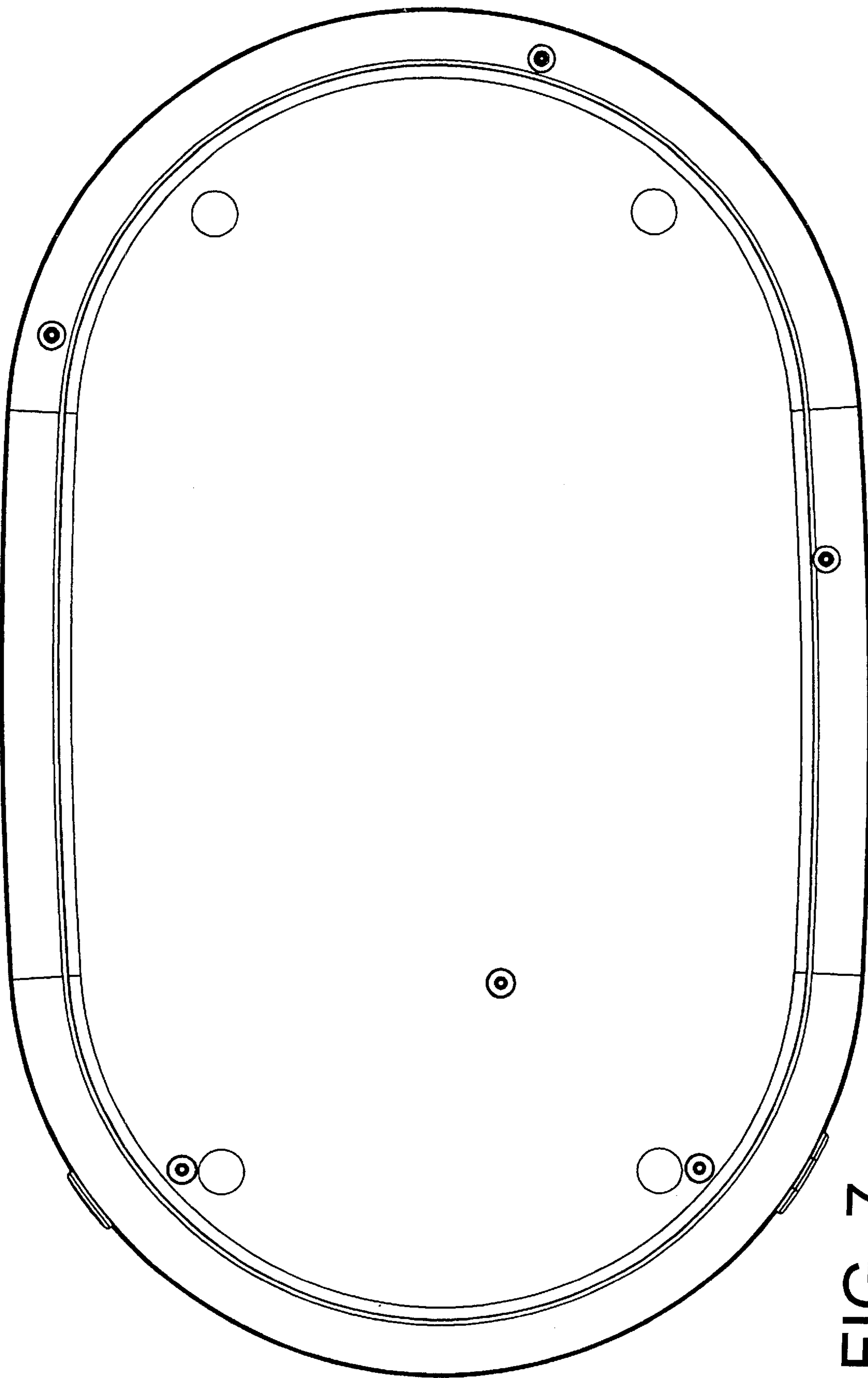


FIG. 7