



US00D470985S

(12) **United States Design Patent**
Zemel

(10) **Patent No.: US D470,985 S**

(45) **Date of Patent: ** Feb. 25, 2003**

(54) **GRIDDLE SCRAPER**

6,263,578 B1 * 7/2001 Frantz et al. 30/169

(75) Inventor: **Marc Zemel**, Old Bethpage, NY (US)

OTHER PUBLICATIONS

(73) Assignee: **Mr. Bar-B-Q-, Inc.**, Old Bethpage, NY (US)

Prince Castle Inc. Model 161, Instruction Sheet "printed 2001".

(**) Term: **14 Years**

* cited by examiner

(21) Appl. No.: **29/163,276**

Primary Examiner—Alan P. Douglas

Assistant Examiner—Lavone D. Tabor

(22) Filed: **Jul. 2, 2002**

(74) *Attorney, Agent, or Firm*—Natter & Natter

(51) **LOC (7) Cl.** **08-05**

(52) **U.S. Cl.** **D32/48; D32/49**

(58) **Field of Search** D32/40, 46, 48-49;
15/143.1, 236.01, 236.02, 236.05, 236.06,
236.09; 16/110.1, 430; 30/169, 171, 172;
294/58; 451/461

(57) **CLAIM**

The ornamental design for a griddle scraper, as shown and described.

(56) **References Cited**

U.S. PATENT DOCUMENTS

D232,344 S	*	8/1974	Momcilovich	D32/48
4,091,579 A		5/1978	Giangiulio		
D312,520 S		11/1990	Wilson		
5,471,700 A		12/1995	Pereira		
D365,897 S	*	1/1996	Pereira	D32/46
5,802,960 A	*	9/1998	Graj et al.	16/430 X
D424,767 S		5/2000	Shea		
6,216,306 B1		4/2001	Esterson et al.		

DESCRIPTION

FIG. 1 is a top view of a griddle scraper showing my new design;
FIG. 2 is a bottom view thereof;
FIG. 3 is a rear view thereof;
FIG. 4 is a front view thereof;
FIG. 5 is a side view thereof; and,
FIG. 6 is a perspective view thereof.
The side not illustrated is a mirror image of the side illustrated in FIG. 5 and the shackle, wing nuts and structure on the underside of the handle illustrated in dashed lines do not form part of the claimed design.

1 Claim, 3 Drawing Sheets

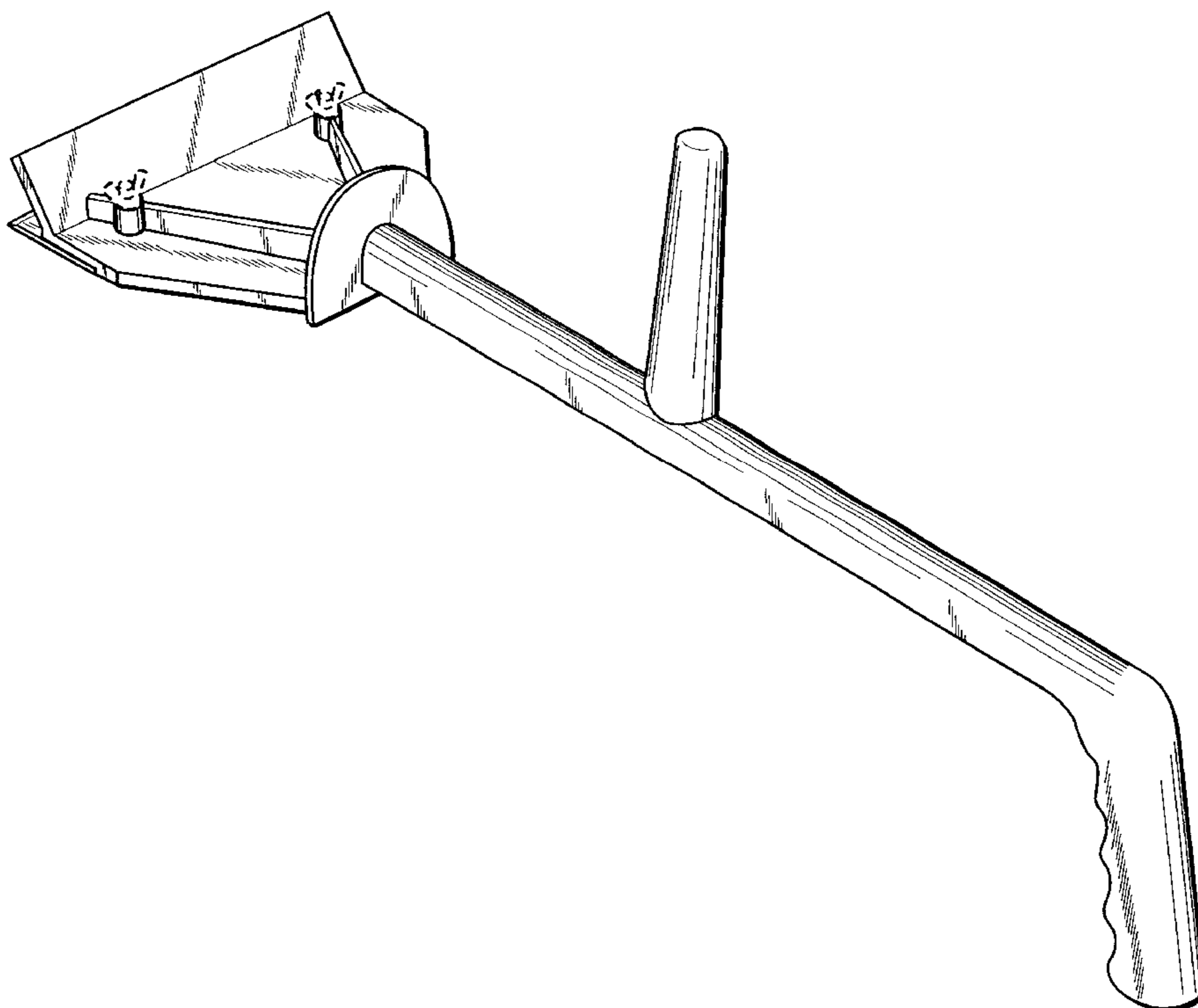


Fig. 1

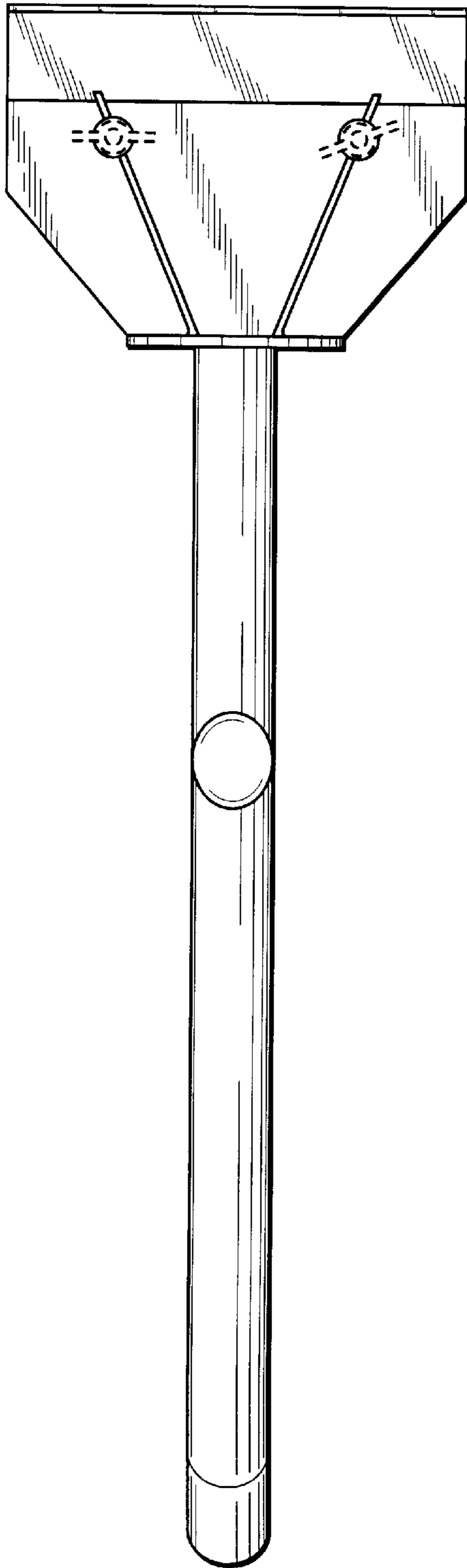


Fig. 2

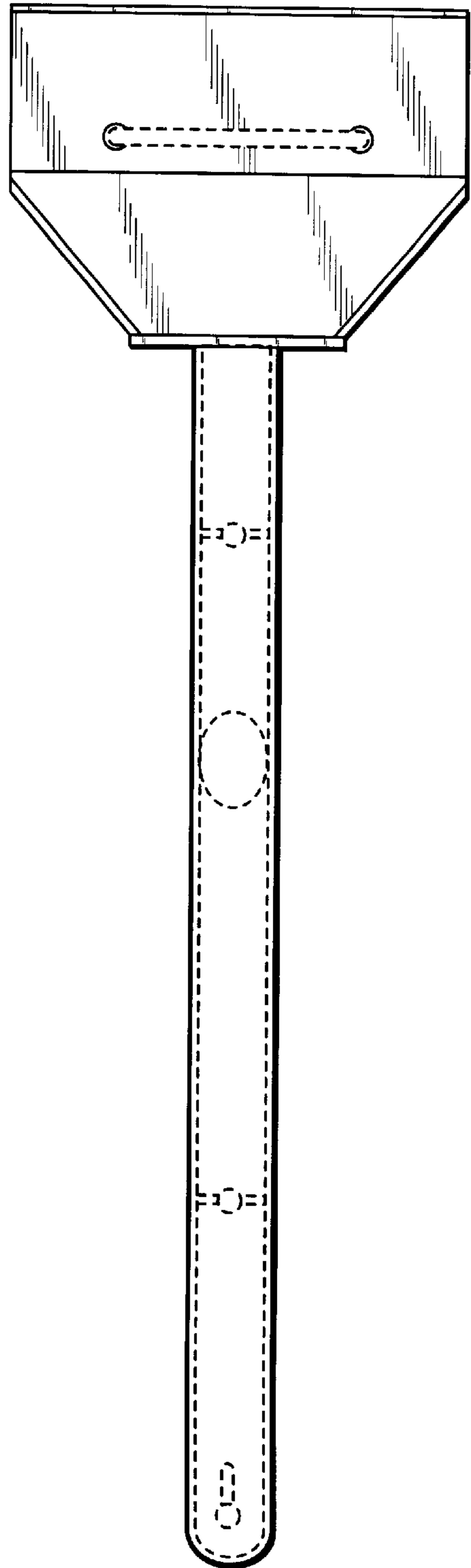


Fig. 3

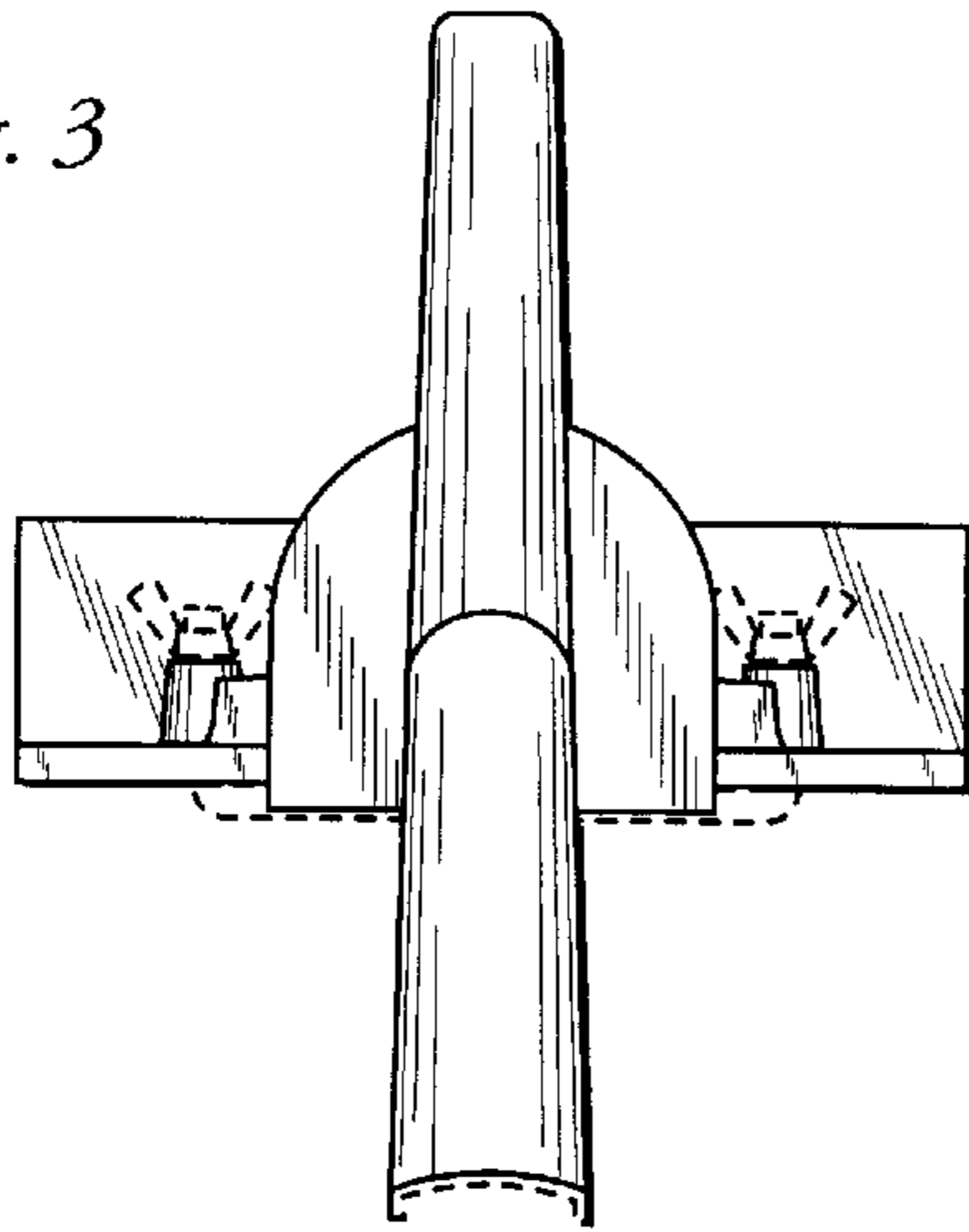


Fig. 4

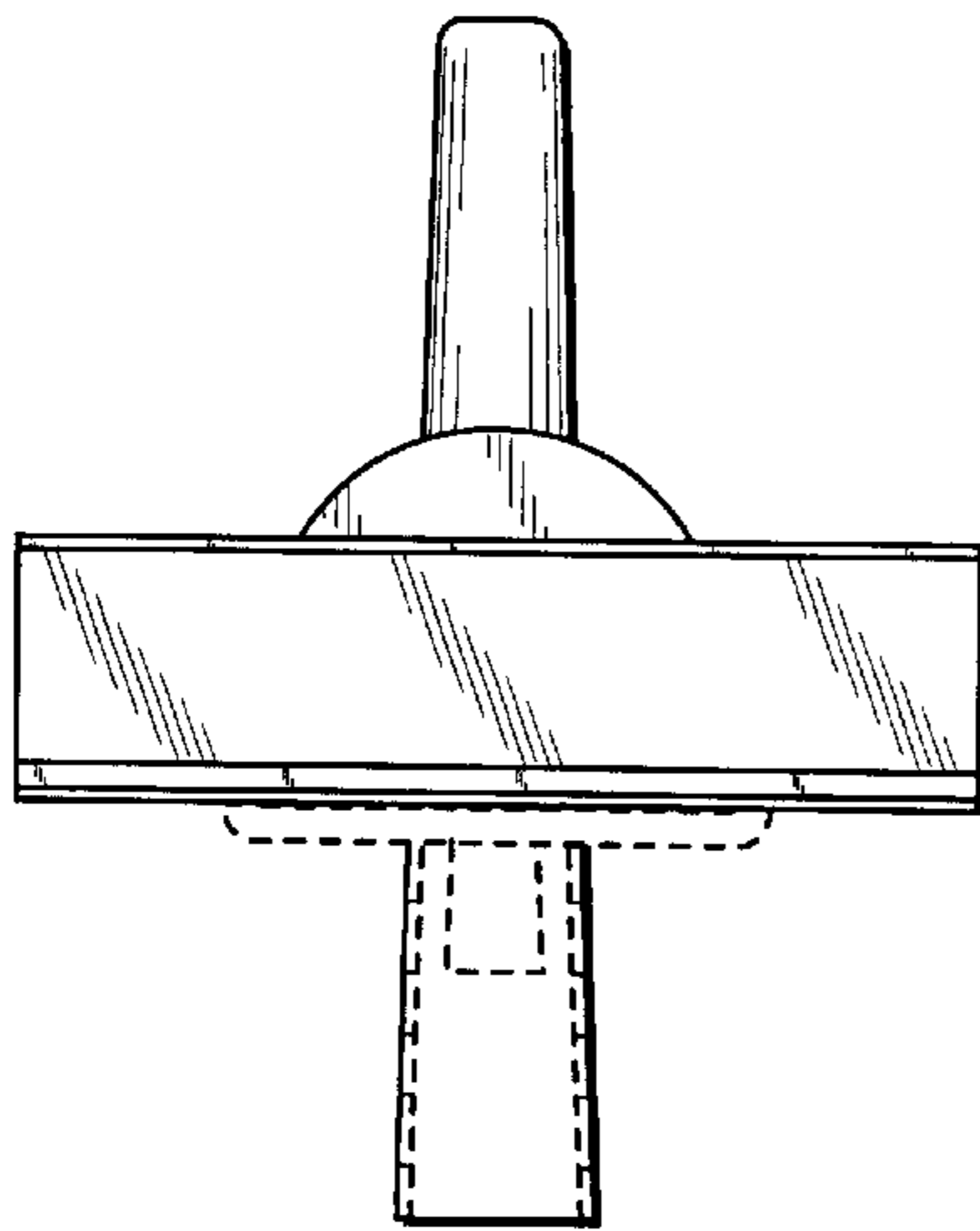
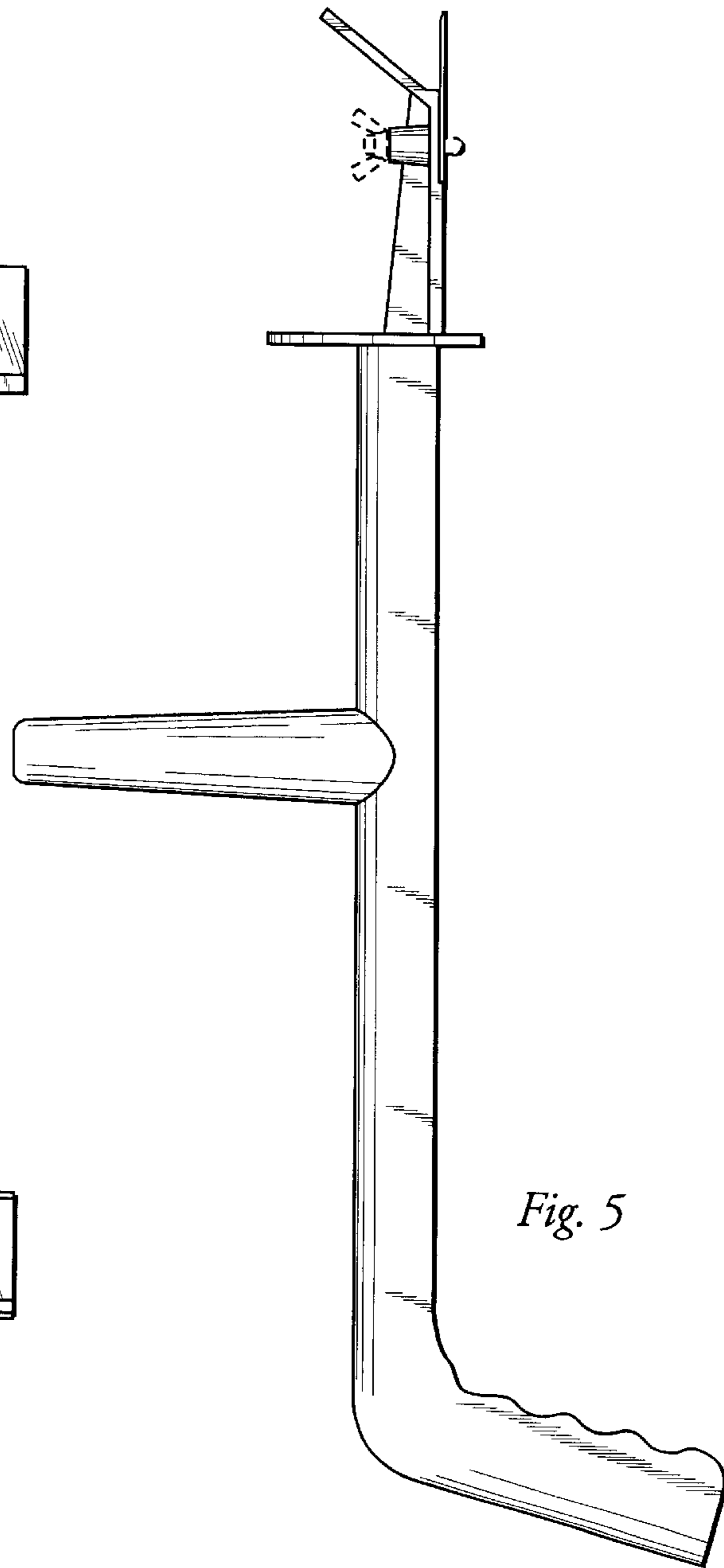


Fig. 5



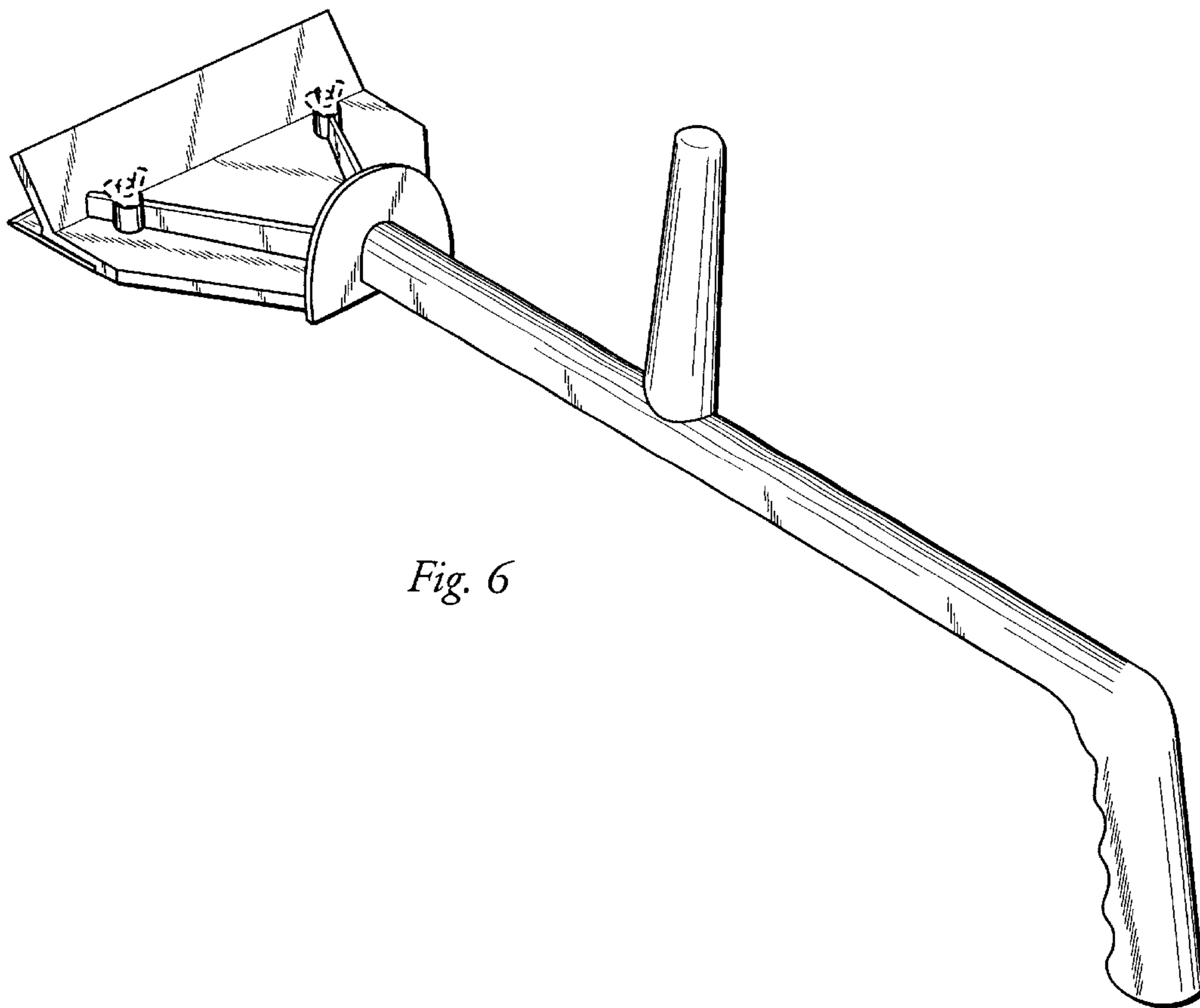


Fig. 6