



US00D470984S

(12) **United States Design Patent**
Svaldi

(10) **Patent No.:** **US D470,984 S**

(45) **Date of Patent:** **** Feb. 25, 2003**

(54) **TERMINAL HEAD FOR A CLEANING APPLIANCE**

(75) Inventor: **Paolo Svaldi**, Trento (IT)

(73) Assignee: **Gioel Italia '96 S.r.l.**, Trento (IT)

(**) Term: **14 Years**

(21) Appl. No.: **29/152,249**

(22) Filed: **Oct. 30, 2001**

(30) **Foreign Application Priority Data**

Apr. 30, 2001 (IT) RM0100097

(51) **LOC (7) Cl.** **12-05**

(52) **U.S. Cl.** **D32/32**

(58) **Field of Search** D32/15, 17-25,
D32/31-34; 15/28, 87, 246.2, 256.52, 327.6,
327.7, 347, 415.1, 345

(56) **References Cited**

U.S. PATENT DOCUMENTS

1,785,675 A * 12/1930 Cundiff 15/415.1 X
D116,932 S * 10/1939 Guild D32/32

D274,382 S * 6/1984 Cousins et al. D32/18
D296,372 S * 6/1988 Toney et al. D32/32
D314,846 S * 2/1991 deBlois D32/18
D401,022 S * 11/1998 Mondigo D32/31

* cited by examiner

Primary Examiner—Louis S. Zarfes

Assistant Examiner—Robert A. Delehanty

(74) *Attorney, Agent, or Firm*—Samuels, Gauthier & Stevens

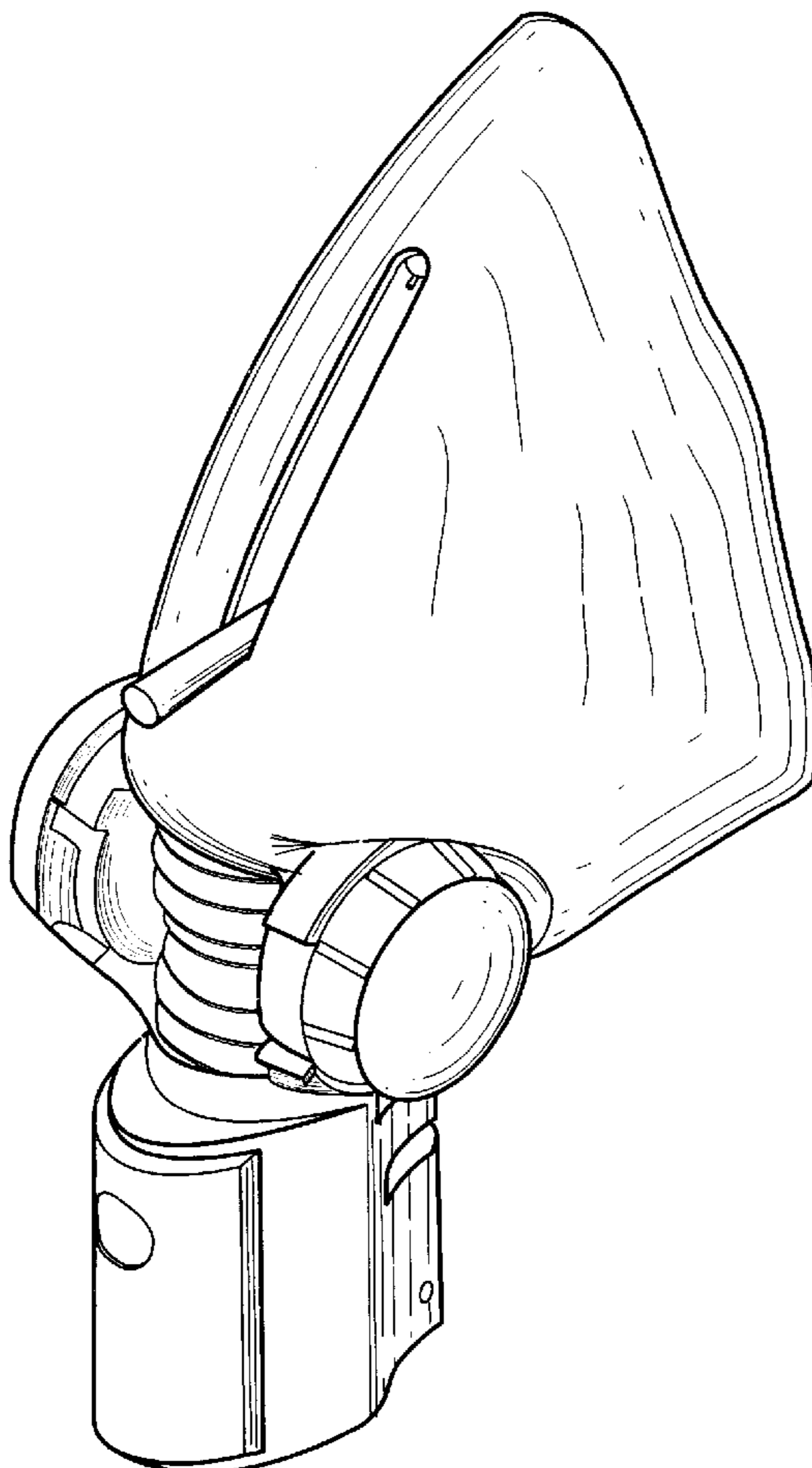
(57) **CLAIM**

The ornamental design for a terminal head for a cleaning appliance, as shown and described.

DESCRIPTION

FIG. 1 is a front view of the head according to the design; FIG. 2 is a rear view of the head of FIG. 1; FIG. 3 is a right side view of the head of FIG. 1; FIG. 4 is a left side view of the head of FIG. 1; FIG. 5 is a top plan view of the head of FIG. 1; FIG. 6 is a bottom plan view of the head of FIG. 1; and, FIG. 7 is a front right upper perspective view of the head of FIG. 1.

1 Claim, 7 Drawing Sheets



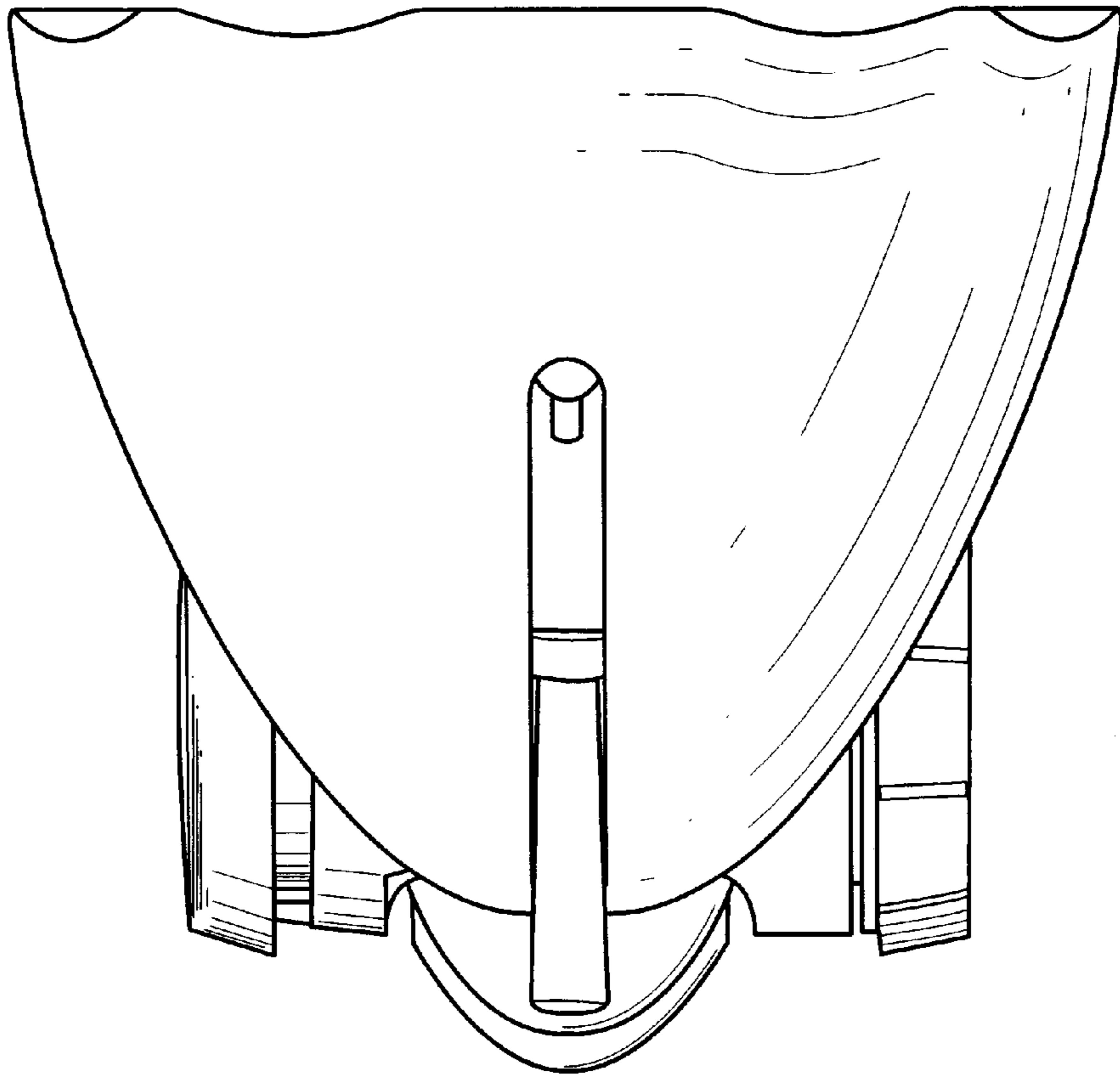


Fig. 1

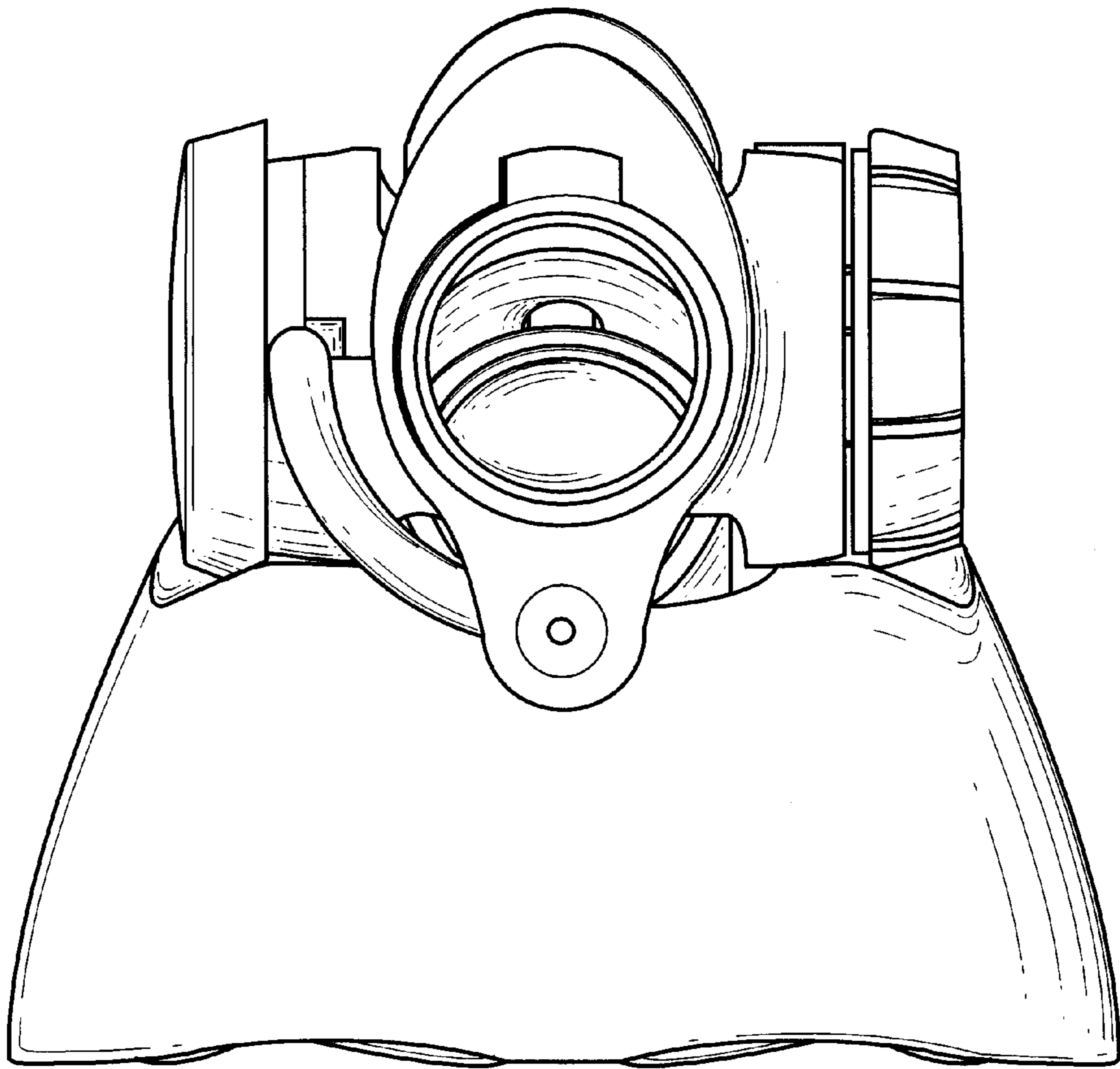


Fig. 2

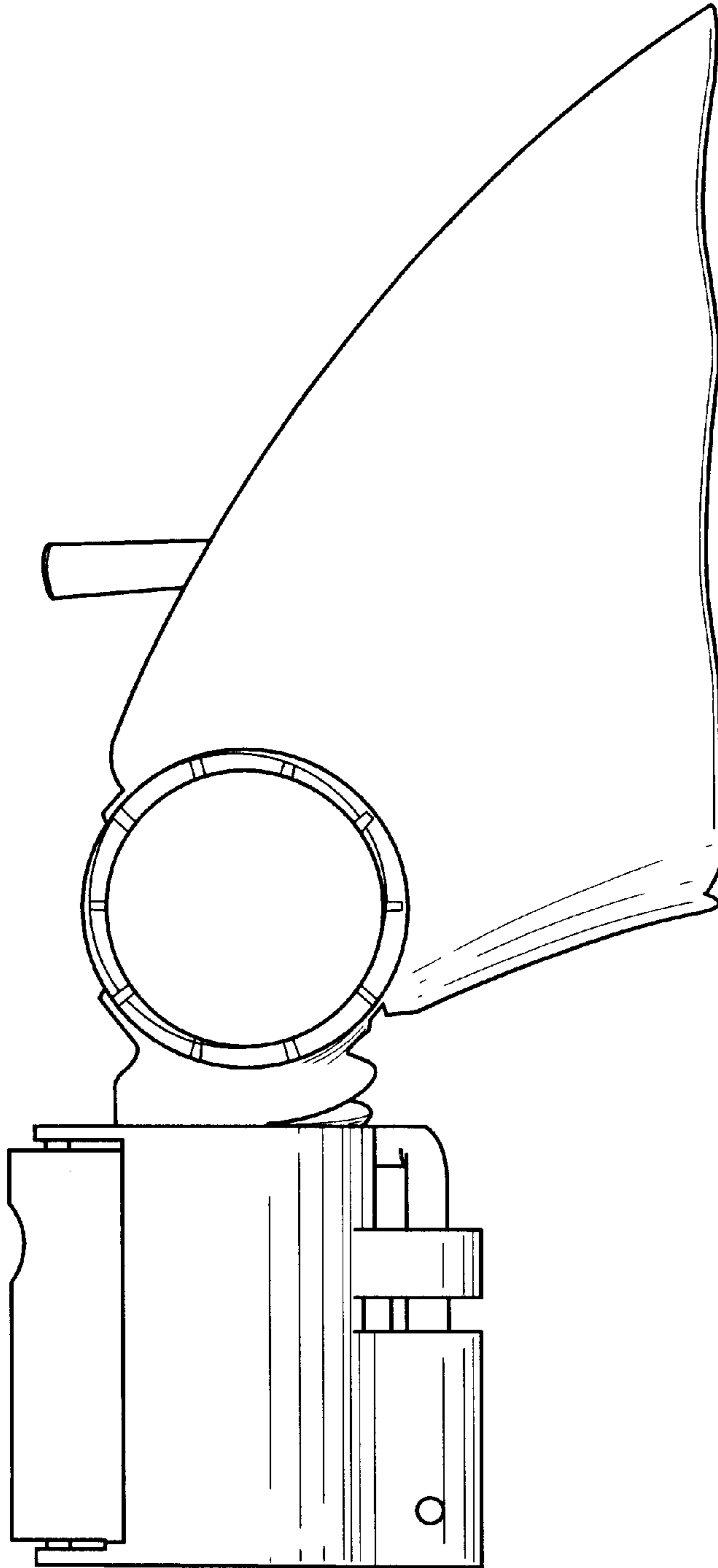


Fig. 3

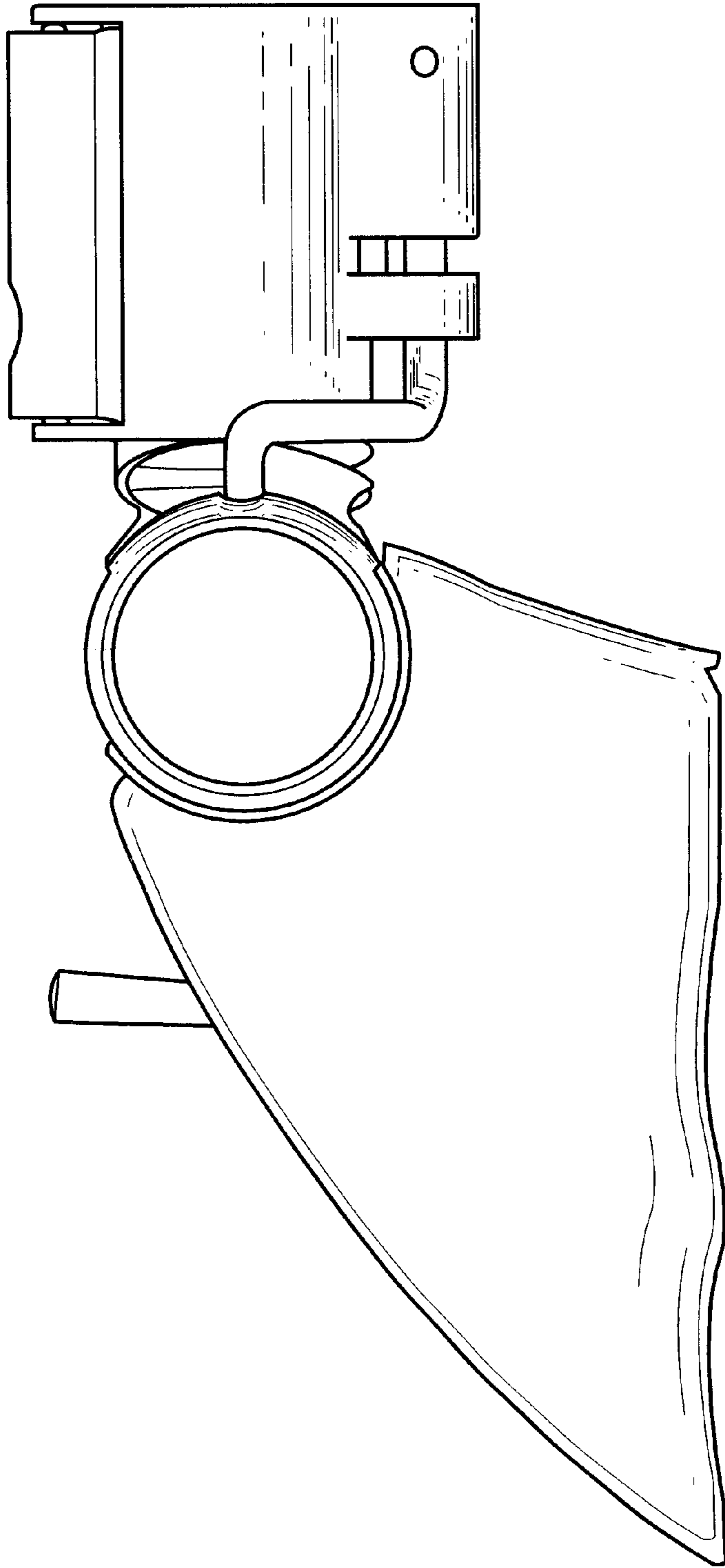


Fig. 4

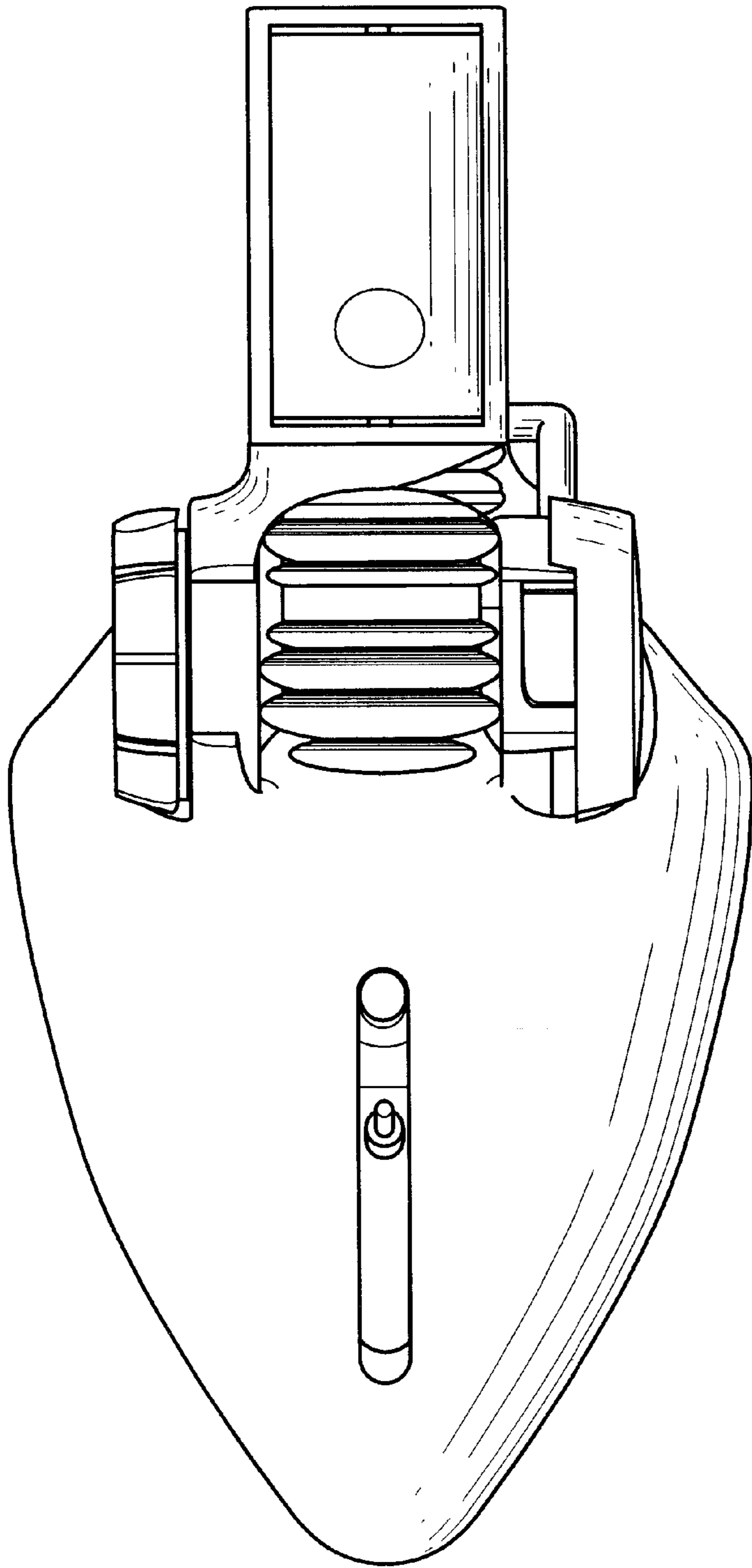


Fig. 5

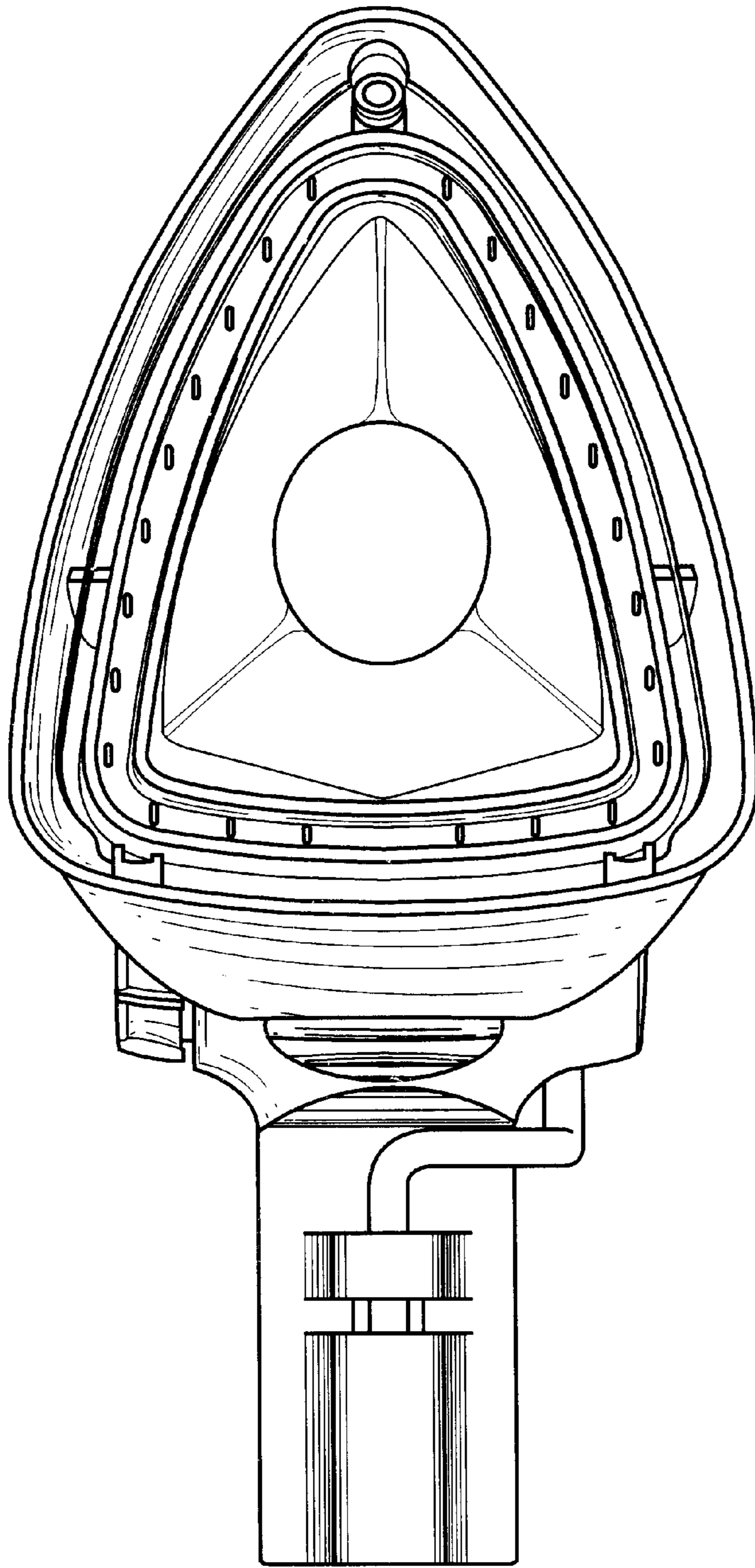


Fig. 6

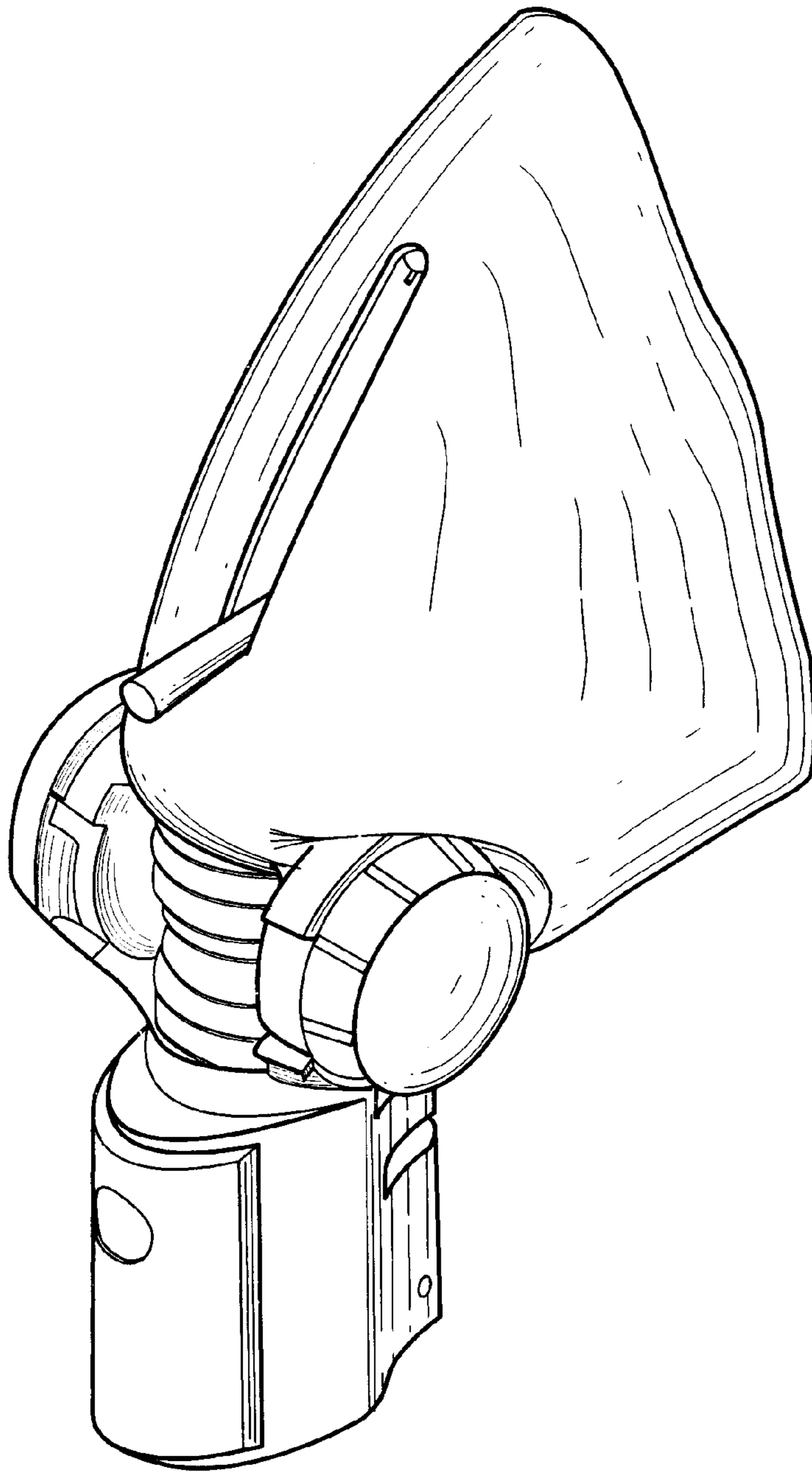


Fig. 7