



US00D470982S

(12) **United States Design Patent**  
**Zahuranec et al.**

(10) **Patent No.:** **US D470,982 S**

(45) **Date of Patent:** **\*\* Feb. 25, 2003**

(54) **RECOVERY TANK FOR CARPET EXTRACTOR**

(75) Inventors: **Terry L. Zahuranec**, North Olmsted, OH (US); **Brett Latimer**, Mentor, OH (US); **Robert A. Salo**, Mentor, OH (US); **Mark E. Cipolla**, Chardon, OH (US); **Wallace D. Tiller, Jr.**, Stow, OH (US); **Jeffrey M. Kalman**, Cleveland Heights, OH (US); **Craig M. Saunders**, Rocky River, OH (US); **Richard C. Farone**, Willoughby, OH (US); **Robert A. Matousek**, Lakewood, OH (US)

(73) Assignee: **Royal Appliance Mfg. Co.**, Glenwillow, OH (US)

(\*\*) Term: **14 Years**

(21) Appl. No.: **29/135,502**

(22) Filed: **Jan. 12, 2001**

(51) **LOC (7) Cl.** ..... **15-05**

(52) **U.S. Cl.** ..... **D32/31**

(58) **Field of Search** ..... D32/21-22, 32-33, D32/25, 31; 15/398, 364, 400, 42, 320-322, 410, 412, 414, 415.1-422.1, 327.1-327.7, 377, 347, 344, 329

(56) **References Cited**

**U.S. PATENT DOCUMENTS**

D358,241 S	*	5/1995	Bradd	.....	D32/22
D379,694 S		6/1997	Bradd		
D387,522 S	*	12/1997	Medema	.....	D32/31
5,784,755 A		7/1998	Karr et al.		
D406,928 S		3/1999	Rowley et al.		

5,933,912 A		8/1999	Karr et al.		
D421,164 S	*	2/2000	Luebbering	.....	D32/22
D431,098 S	*	9/2000	Saunders et al.	.....	D32/31
D431,887 S	*	10/2000	Bradd et al.	.....	D32/31
6,154,917 A	*	12/2000	Zahuranec et al.	.....	15/320
D439,380 S	*	3/2001	Medema et al.	.....	D32/22
D439,384 S	*	3/2001	Medema	.....	D32/32

\* cited by examiner

*Primary Examiner*—Ruth McInroy

(74) *Attorney, Agent, or Firm*—Fay, Sharpe, Fagan, Minnich & McKee, LLP

(57) **CLAIM**

The ornamental design for a recovery tank for carpet extractor, as shown and described.

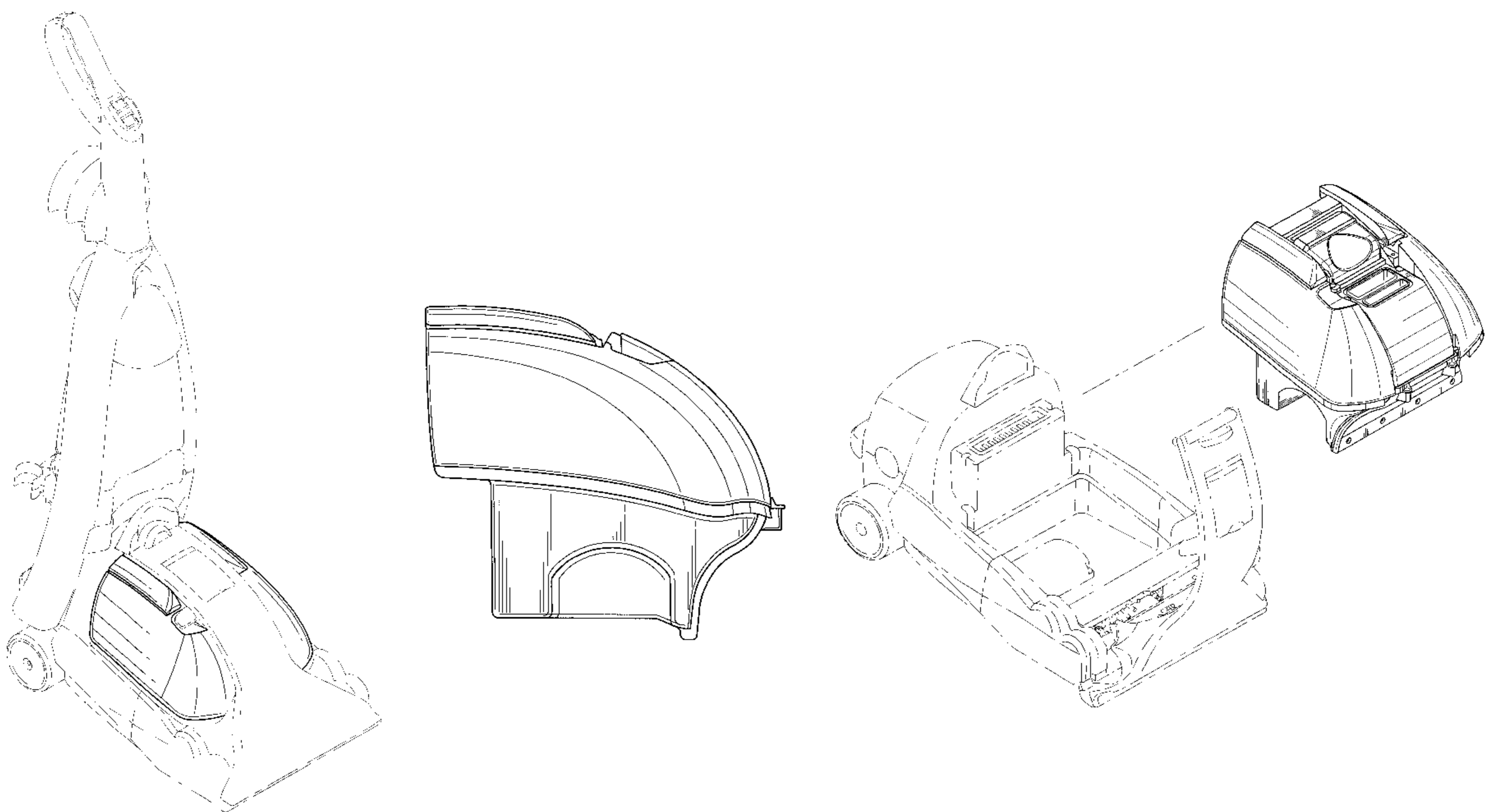
**DESCRIPTION**

FIG. 1 is a perspective view of a recovery tank for carpet extractor showing our new design; FIG. 2 is a perspective view thereof; FIG. 3 is a left side elevational view thereof; FIG. 4 is a front elevational view thereof; FIG. 5 is a right side elevational view thereof; FIG. 6 is a rear elevational view thereof; FIG. 7 is a top plan view thereof; FIG. 8 is a bottom plan view thereof; and, FIG. 9 is a perspective view of a base of the carpet extractor in an open position to allow the recovery tank to be removed therefrom.

While portions of the recovery tank are not visible in FIG. 1, the entire recovery tank is shown in FIG. 2.

The carpet extractor parts shown in broken lines in FIGS. 1 and 9 are shown for illustrative purposes only and form no part of the claimed design.

**1 Claim, 6 Drawing Sheets**



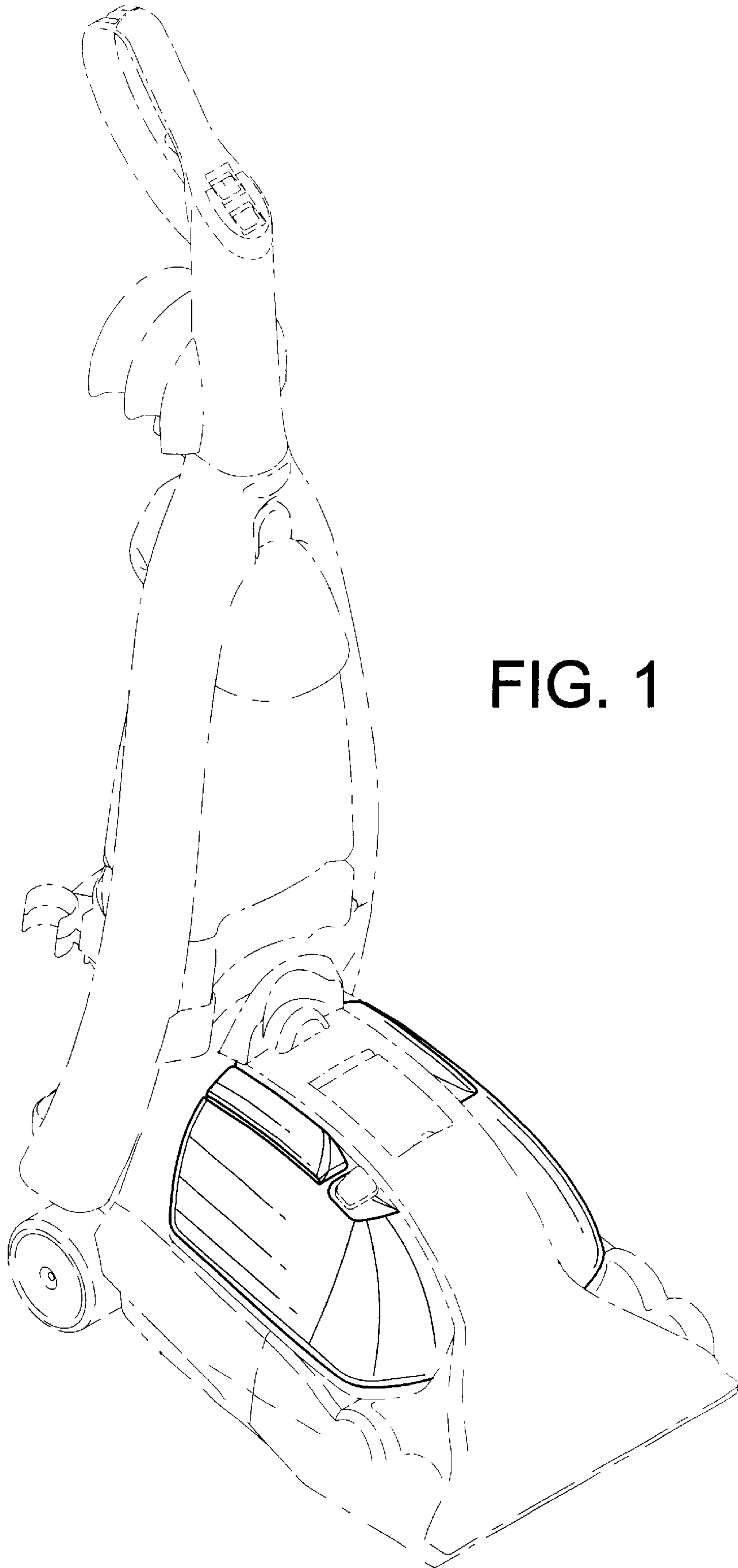


FIG. 1

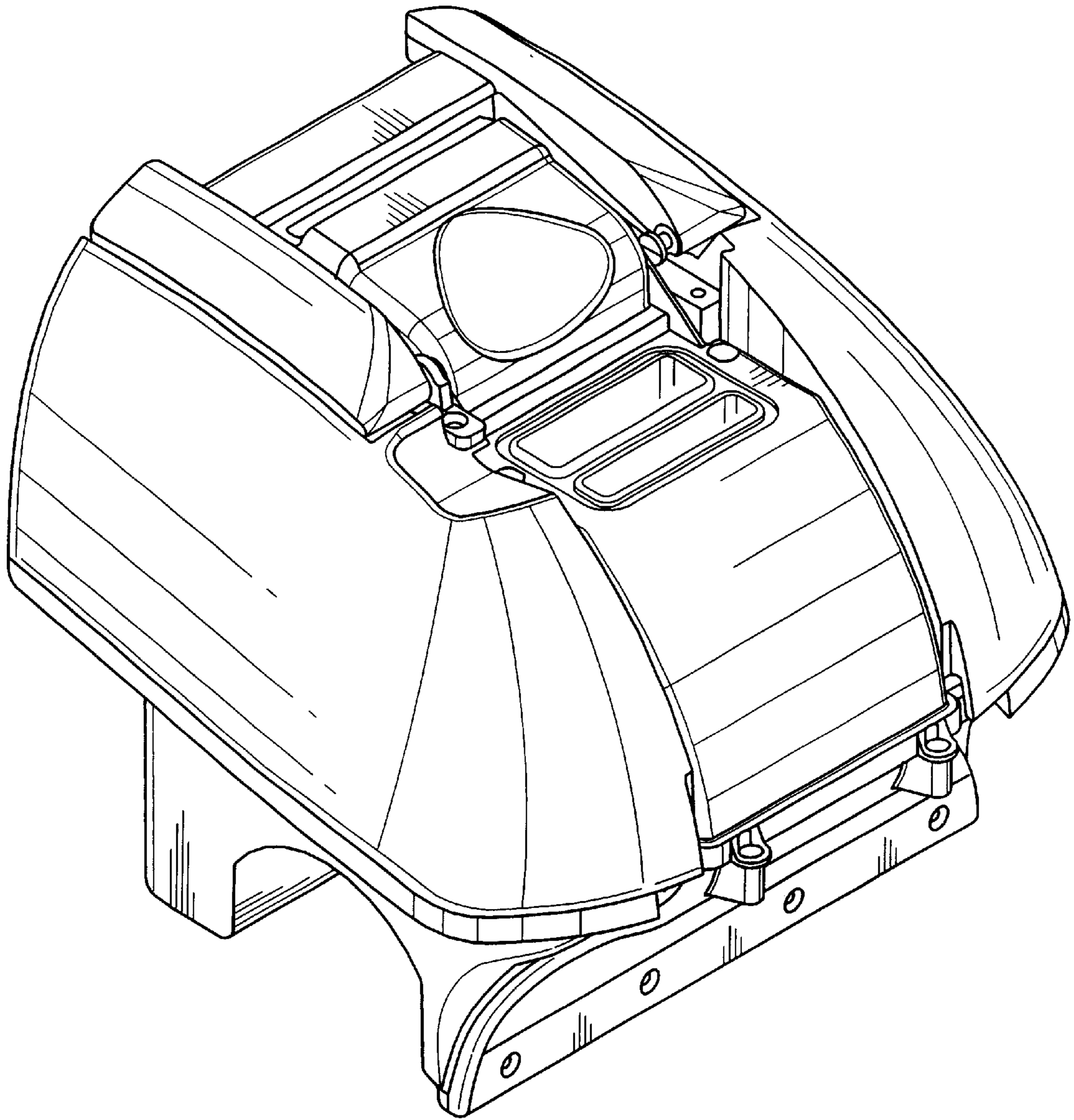


FIG. 2



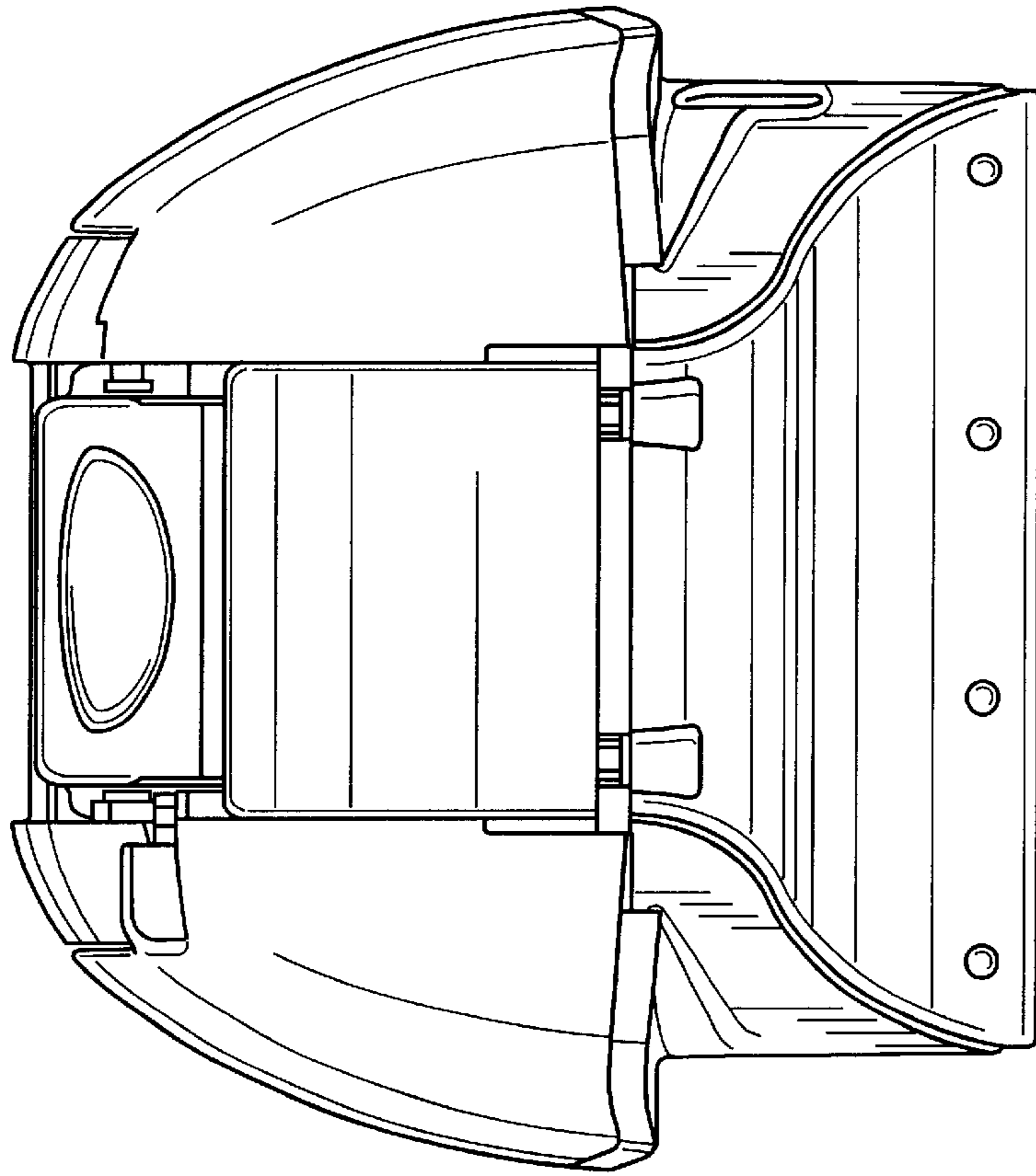


FIG 4

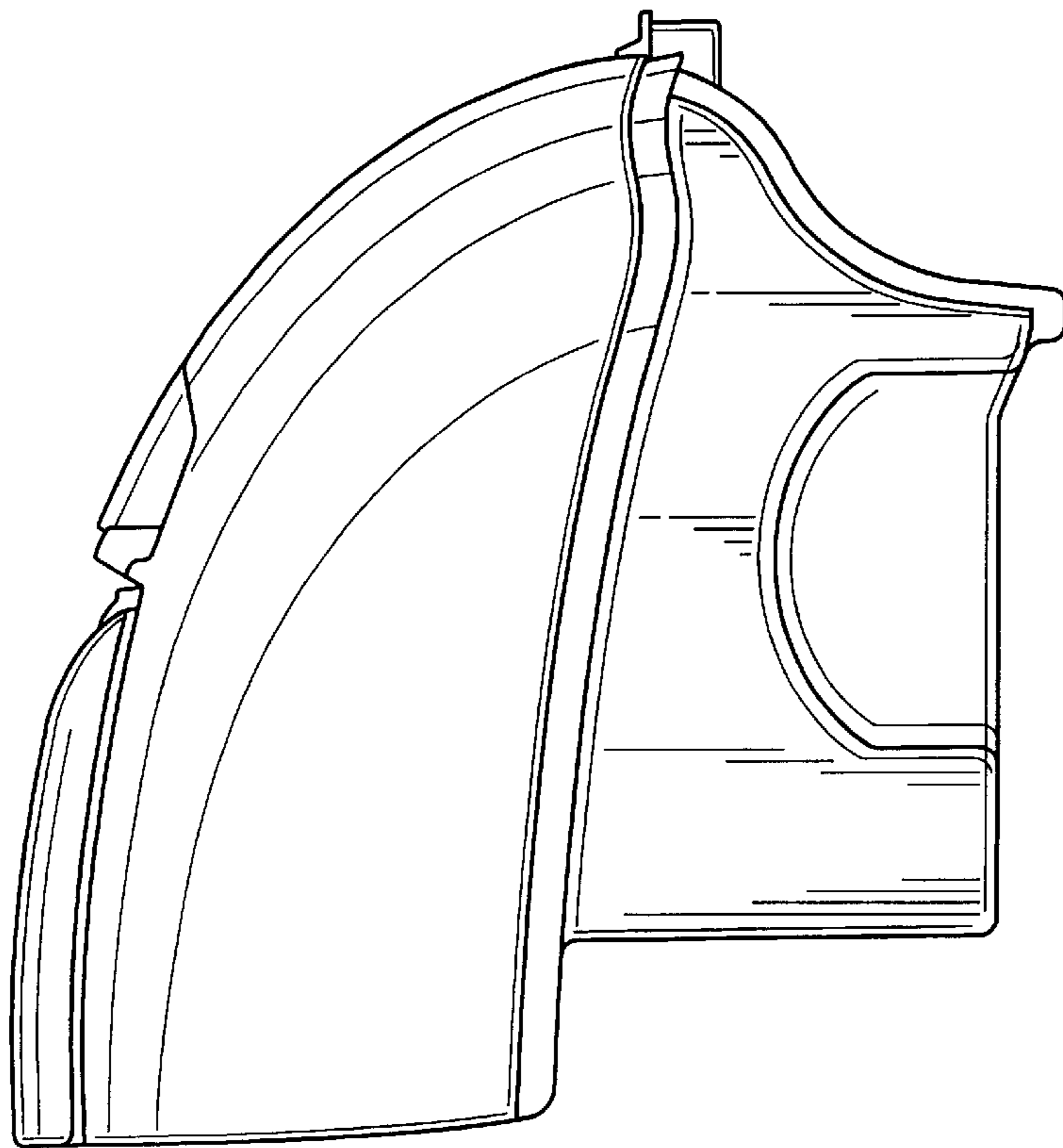


FIG. 3

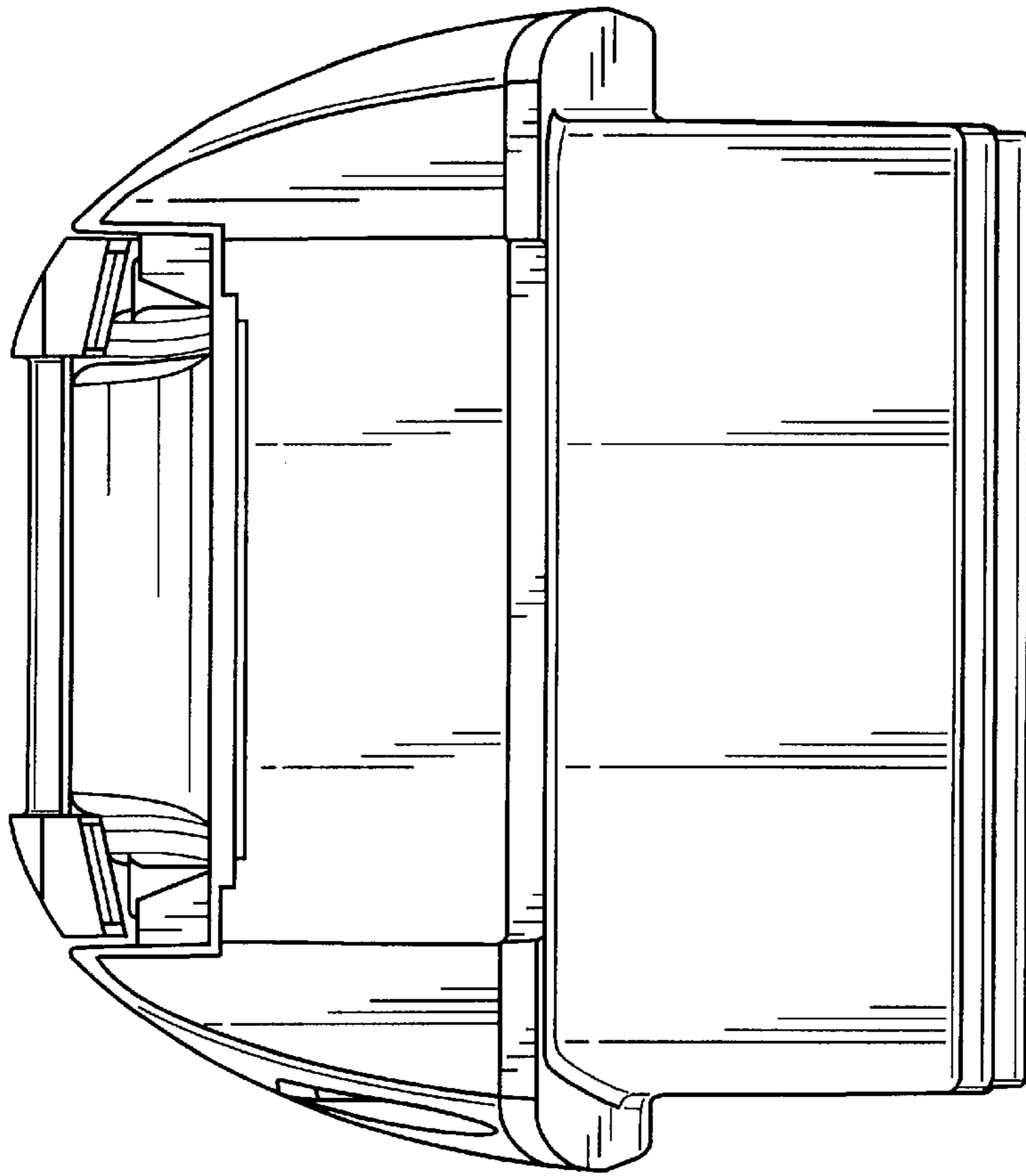


FIG. 5

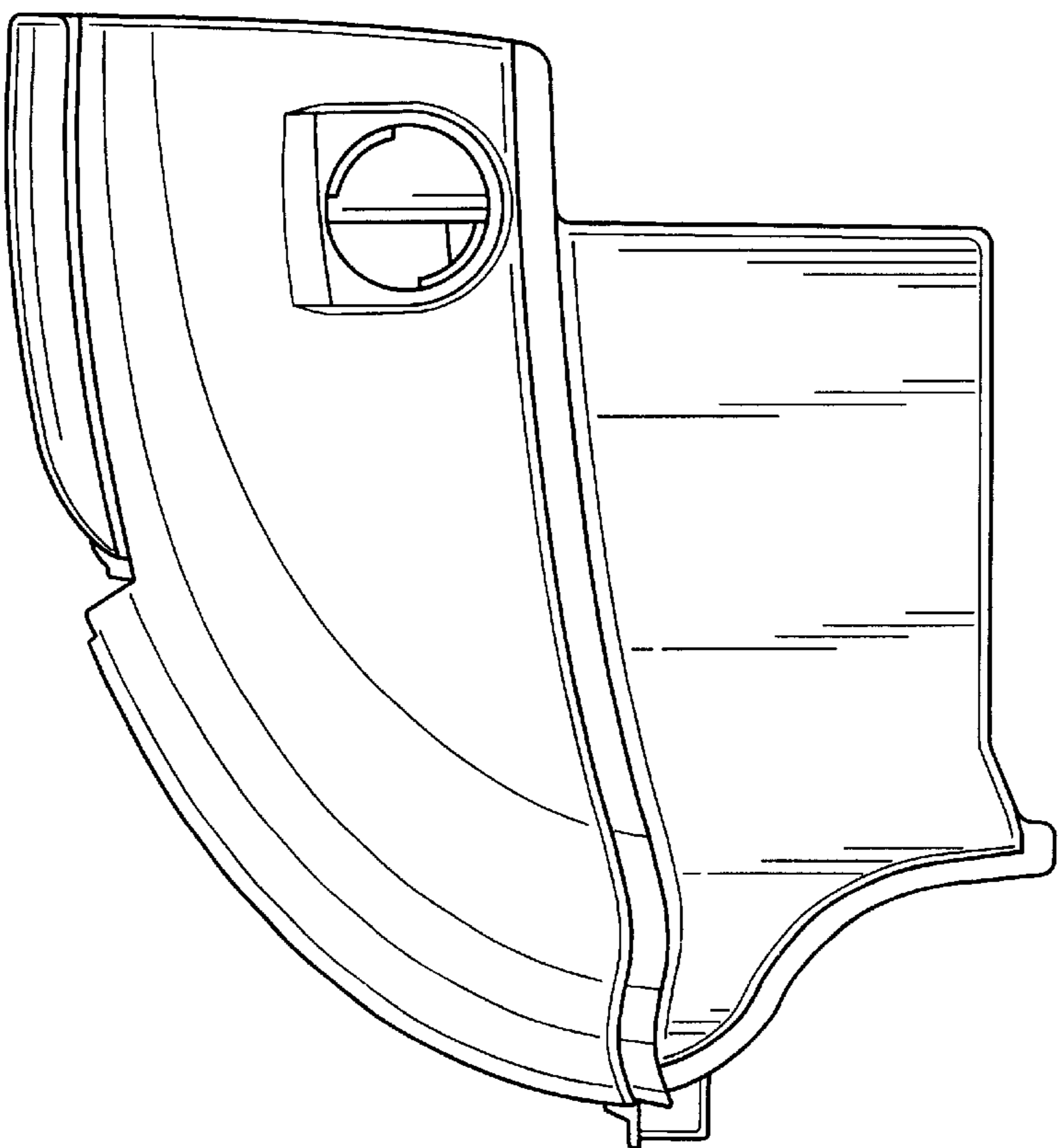


FIG. 6

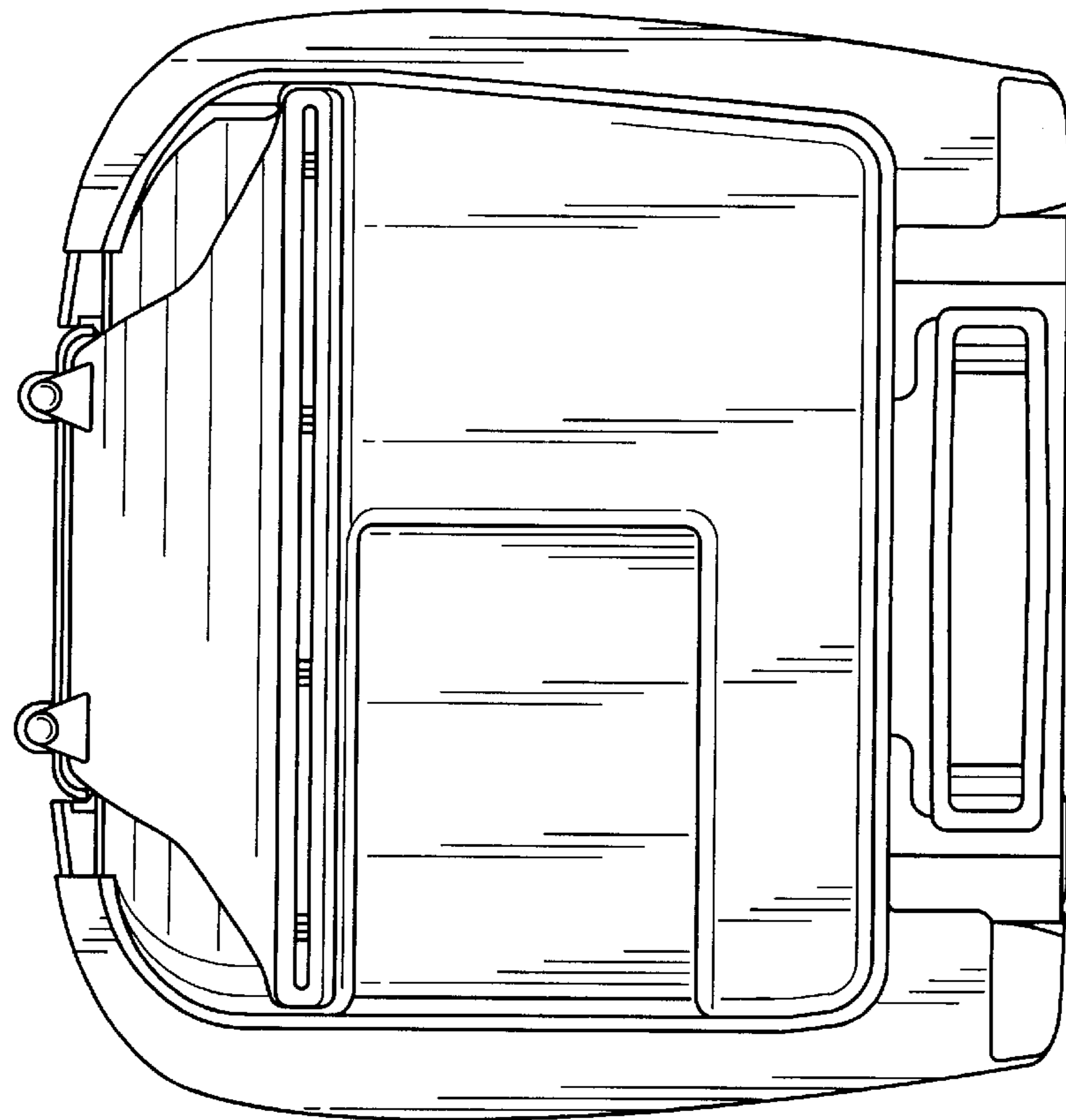


FIG. 7

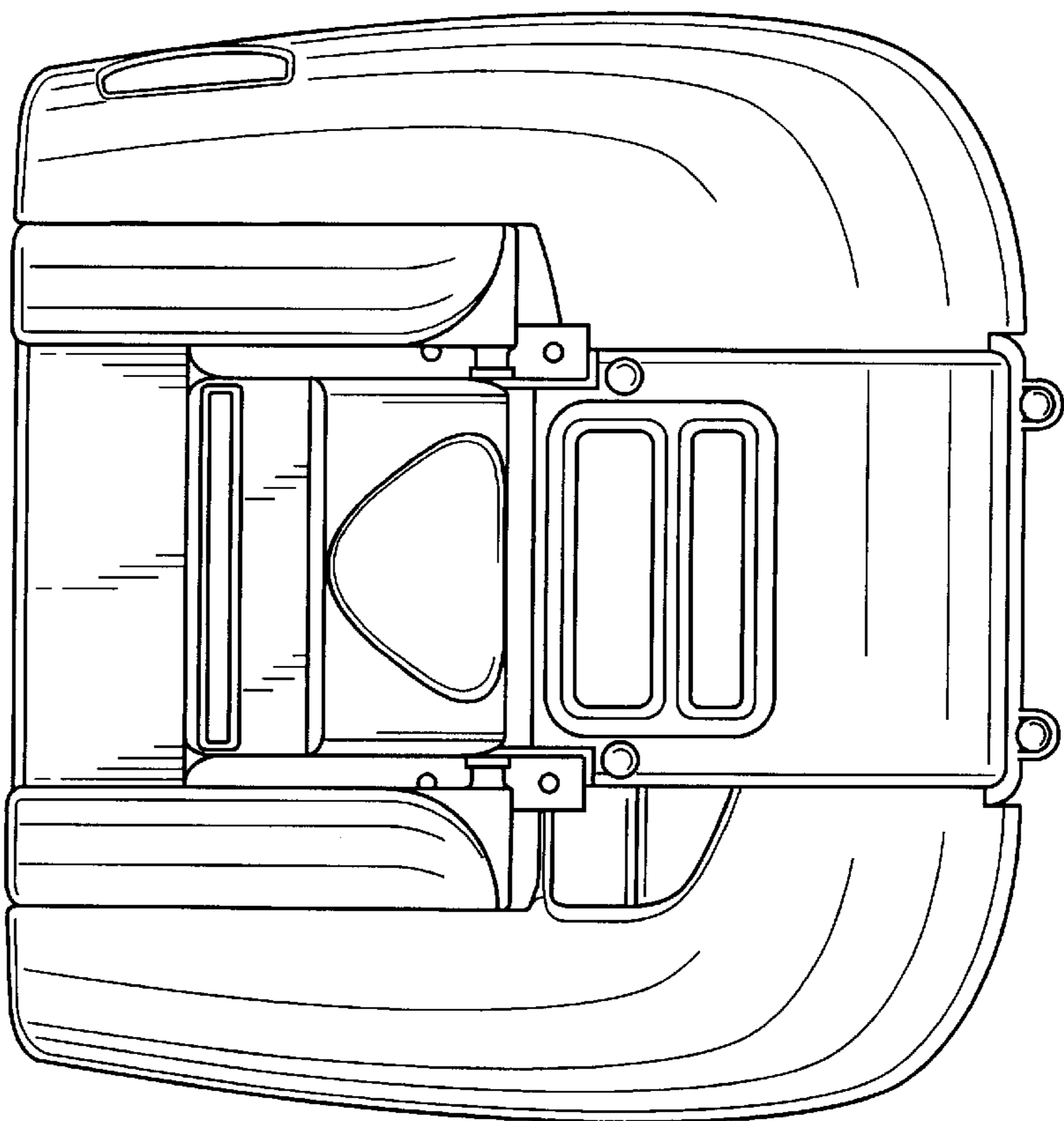


FIG. 8

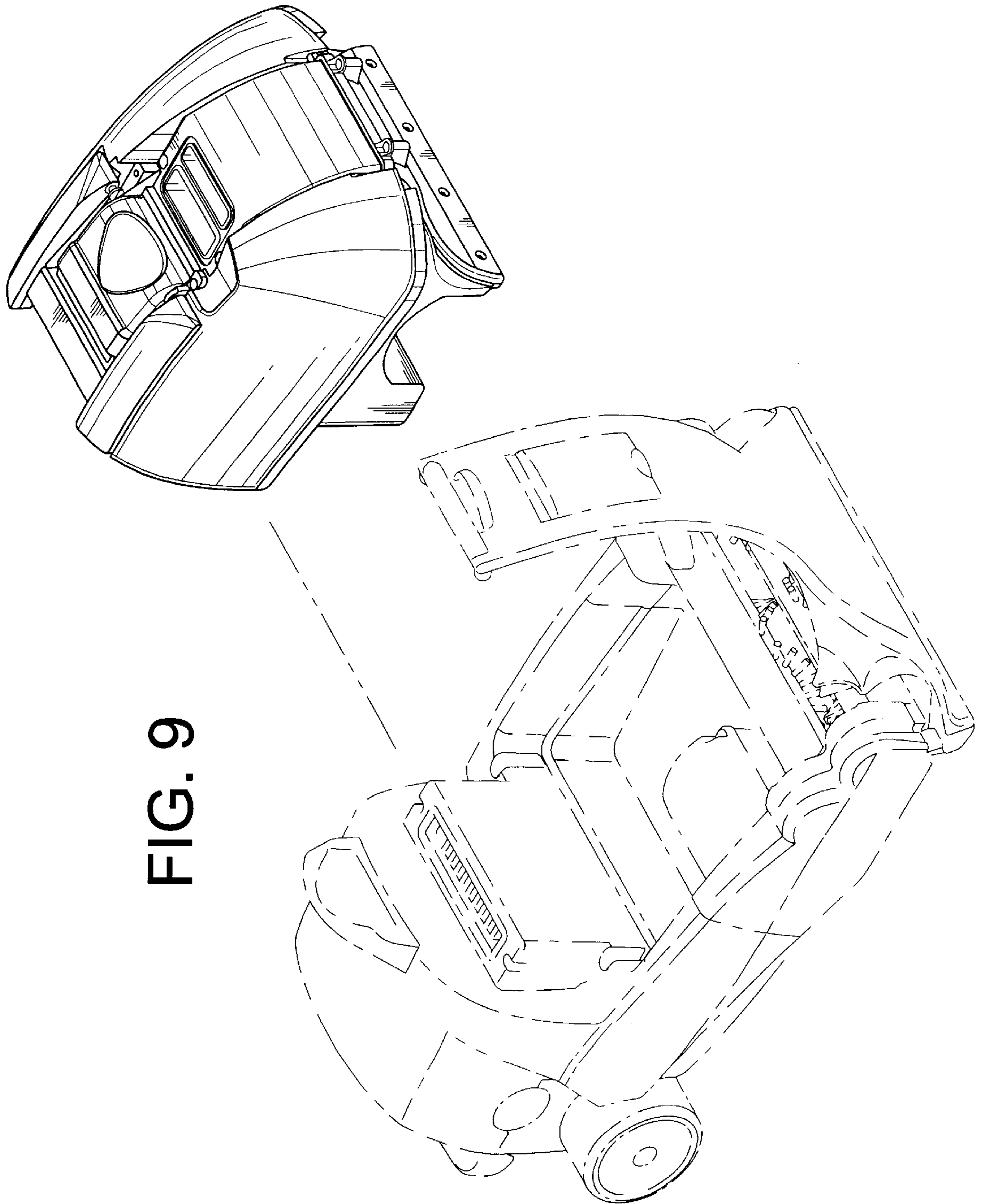


FIG. 9