



US00D470981S

(12) **United States Design Patent**
Simon

(10) **Patent No.:** **US D470,981 S**

(45) **Date of Patent:** **** Feb. 25, 2003**

(54) **PET BRUSH**

(75) Inventor: **Allen Simon**, East Northport, NY (US)

(73) Assignee: **Four Paws Products, Ltd.**, Hauppauge, NY (US)

(**) Term: **14 Years**

(21) Appl. No.: **29/160,931**

(22) Filed: **May 17, 2002**

(51) **LOC (7) Cl.** **30-99**

(52) **U.S. Cl.** **D30/158**

(58) **Field of Search** D30/158, 159;
D4/136, 137, 138, 134; 132/108-110, 148-150;
119/600, 613, 615, 612, 625, 602, 603,
605; 15/186-188, 160

(56) **References Cited**

U.S. PATENT DOCUMENTS

D142,930 S * 11/1945 Adler D28/31
5,365,881 A * 11/1994 Sporn 119/633
D366,762 S * 2/1996 Ward D4/121

D395,169 S * 6/1998 Yang D4/132
D417,551 S * 12/1999 Pinchuk D30/158

* cited by examiner

Primary Examiner—Pamela Burgess
(74) *Attorney, Agent, or Firm*—Darby & Darby

(57) **CLAIM**

The ornamental design for a pet brush, as shown and described.

DESCRIPTION

FIG. 1 is a top perspective view of a pet brush showing my new design;
FIG. 2 is a front elevational view of the pet brush;
FIG. 3 is a left side elevational view of the pet brush, the opposite side view being the mirror image thereof;
FIG. 4 is a rear elevational view of the pet brush;
FIG. 5 is a top plan view of the pet brush; and,
FIG. 6 is a bottom plan view of the pet brush.

The broken lines on the bottom portion of the claimed article are for illustrative purposes only and form no part of the claimed design.

1 Claim, 3 Drawing Sheets

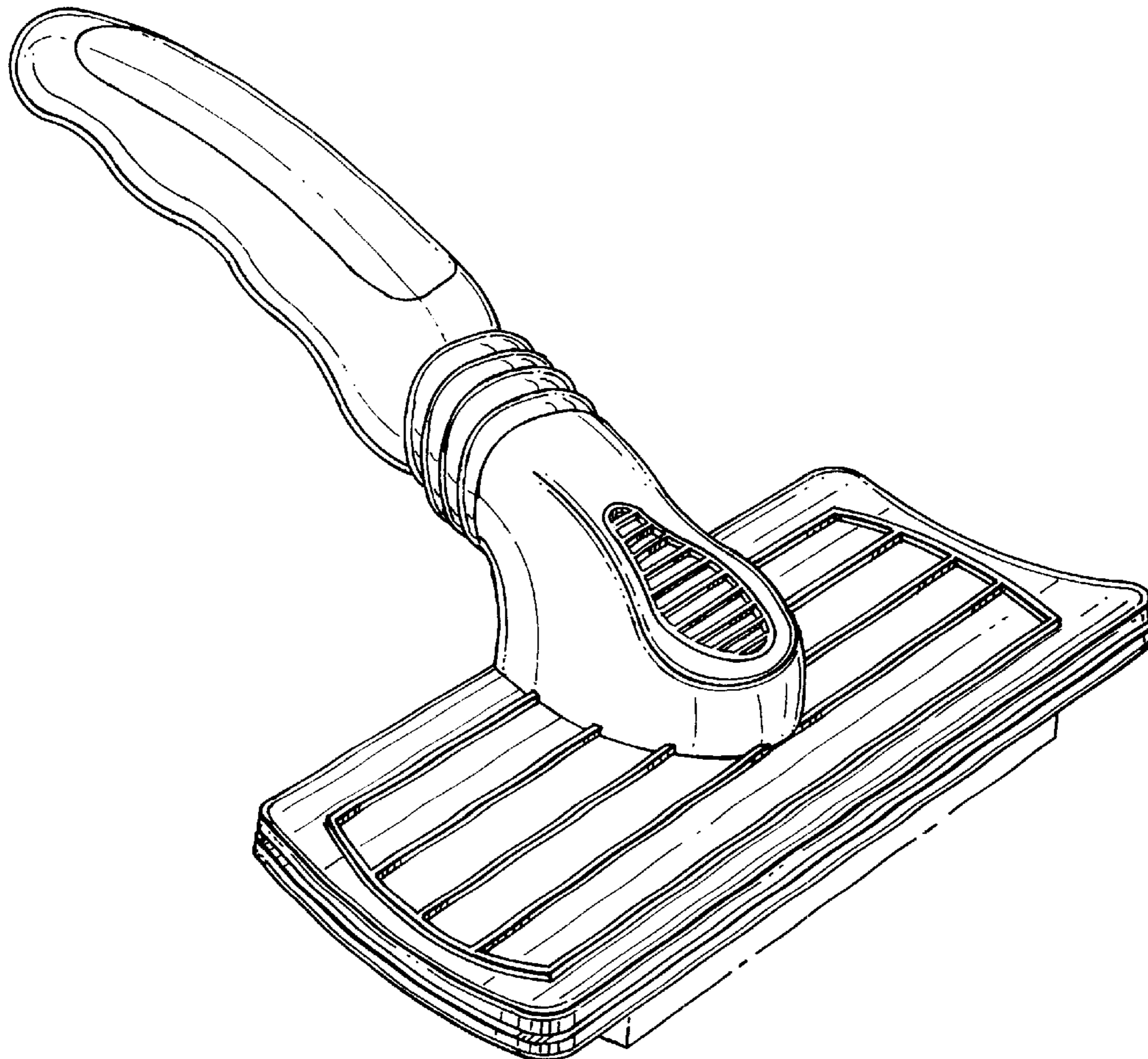


FIG. 1

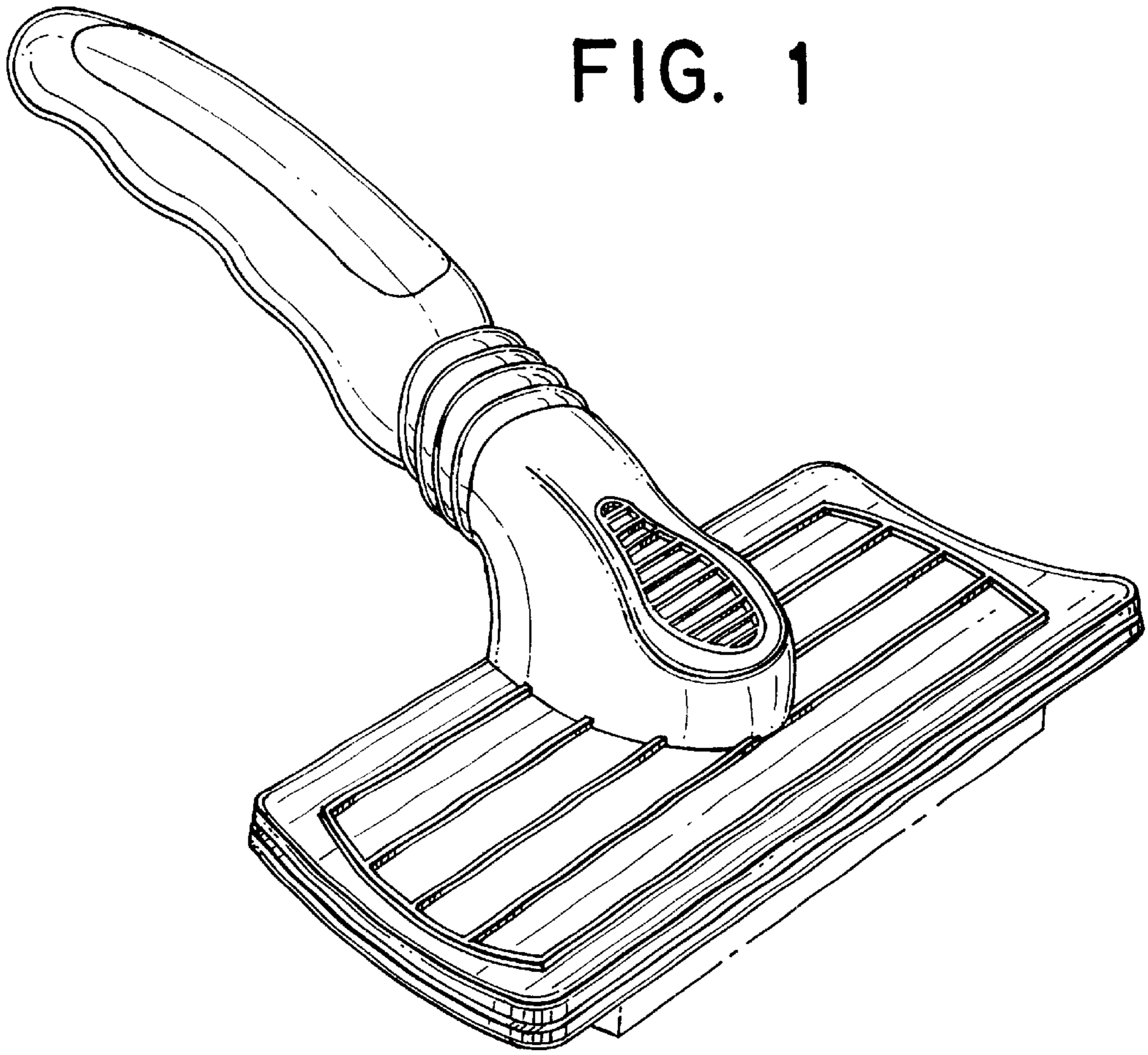


FIG. 2

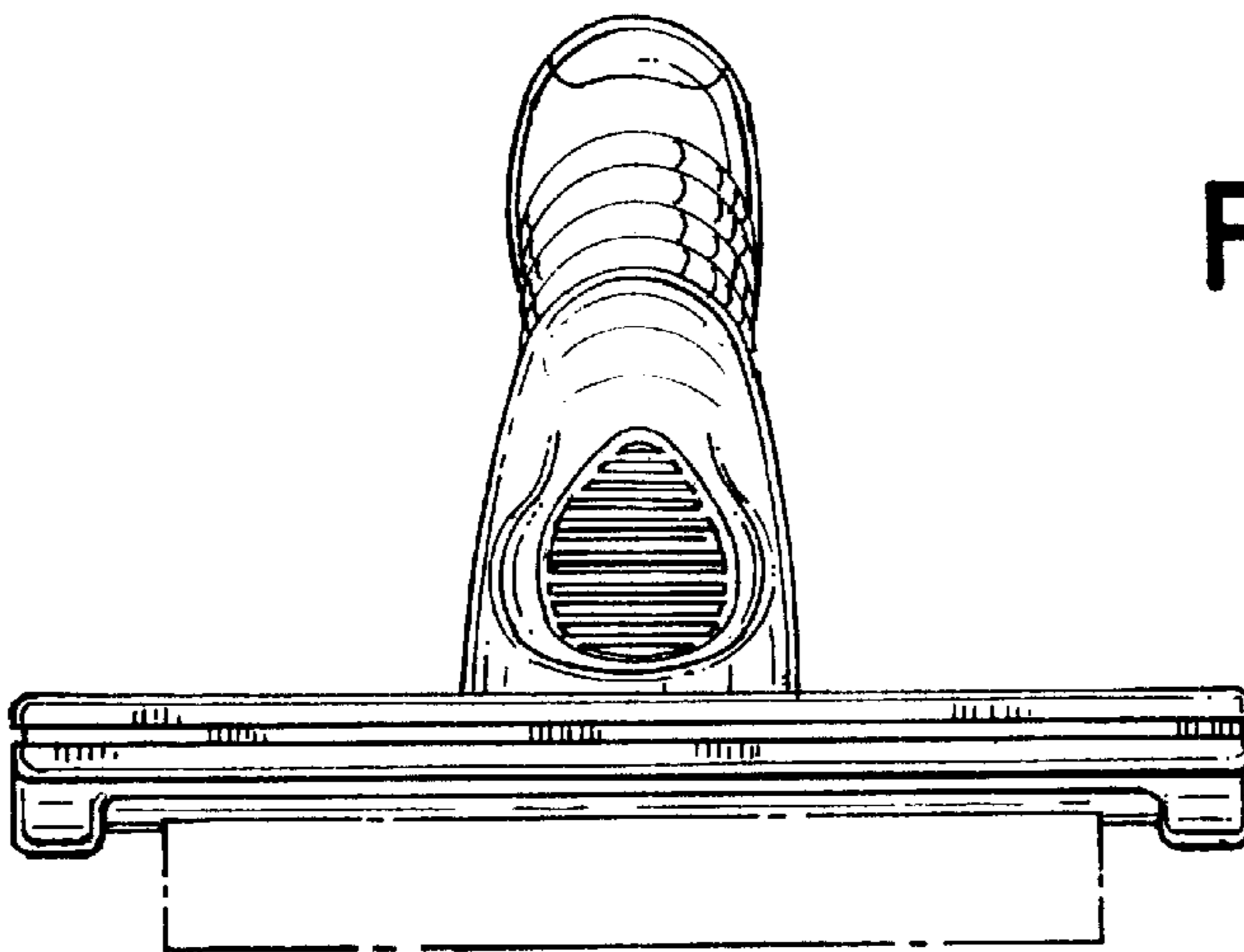


FIG. 3

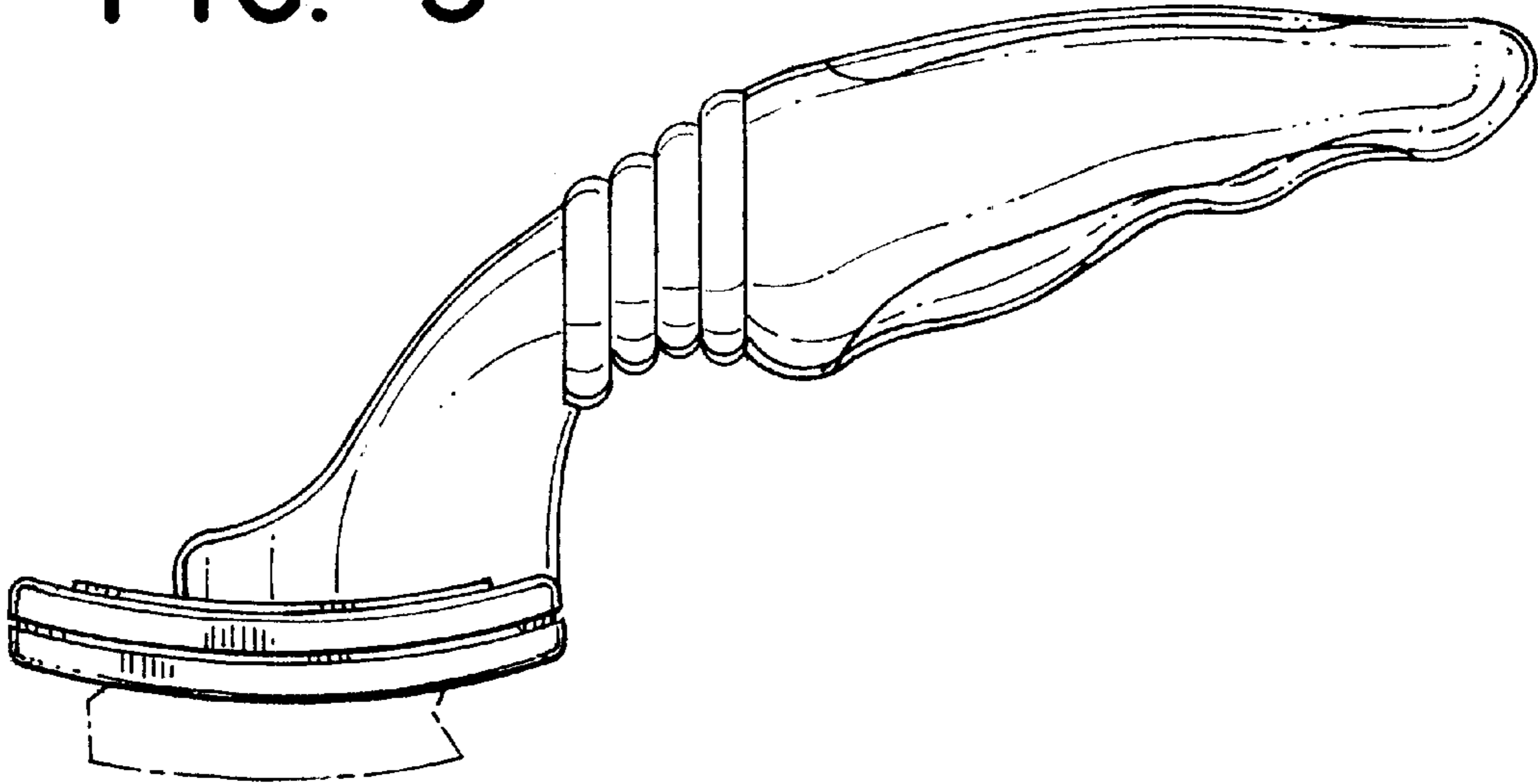


FIG. 4

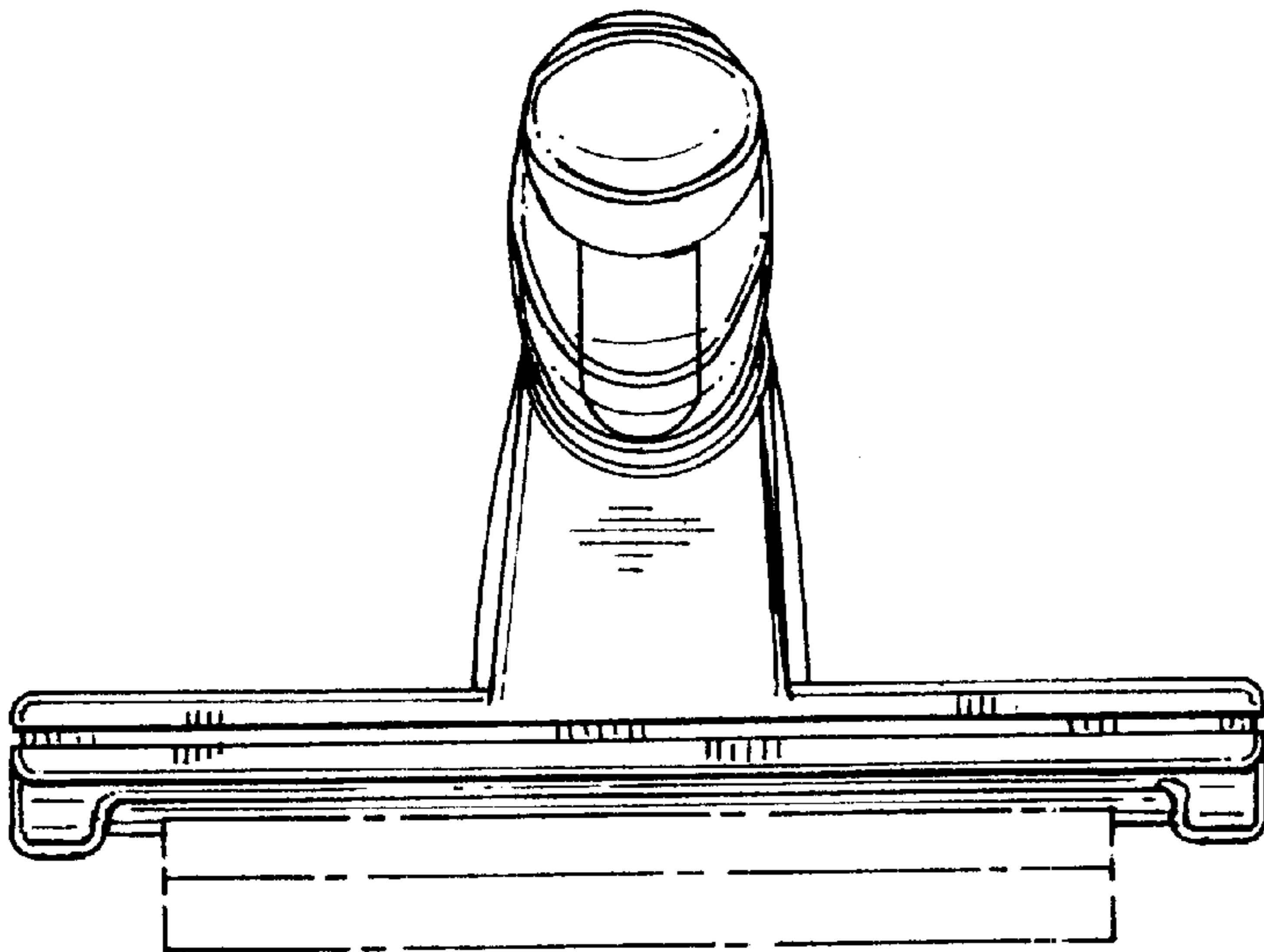


FIG. 5

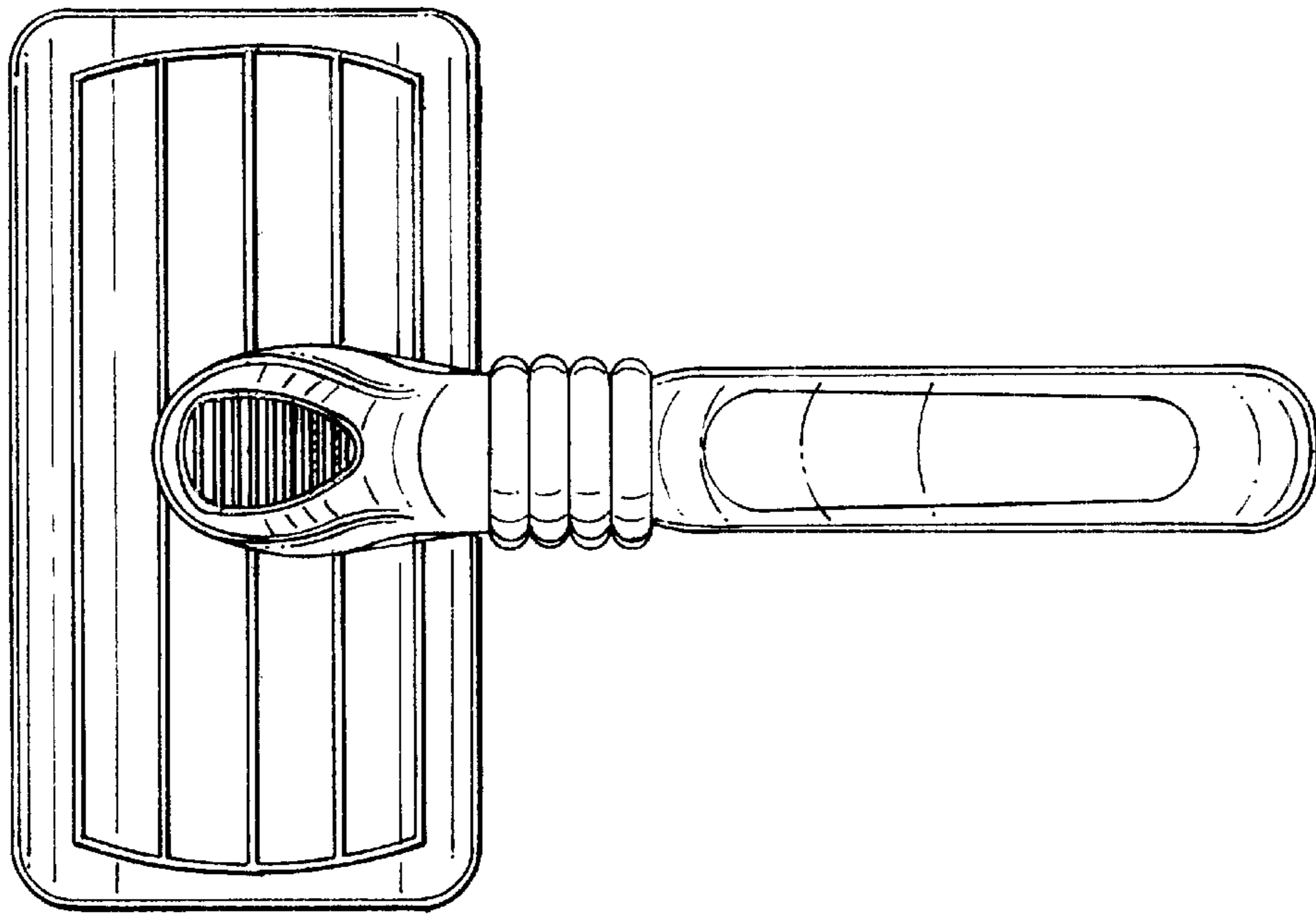


FIG. 6

